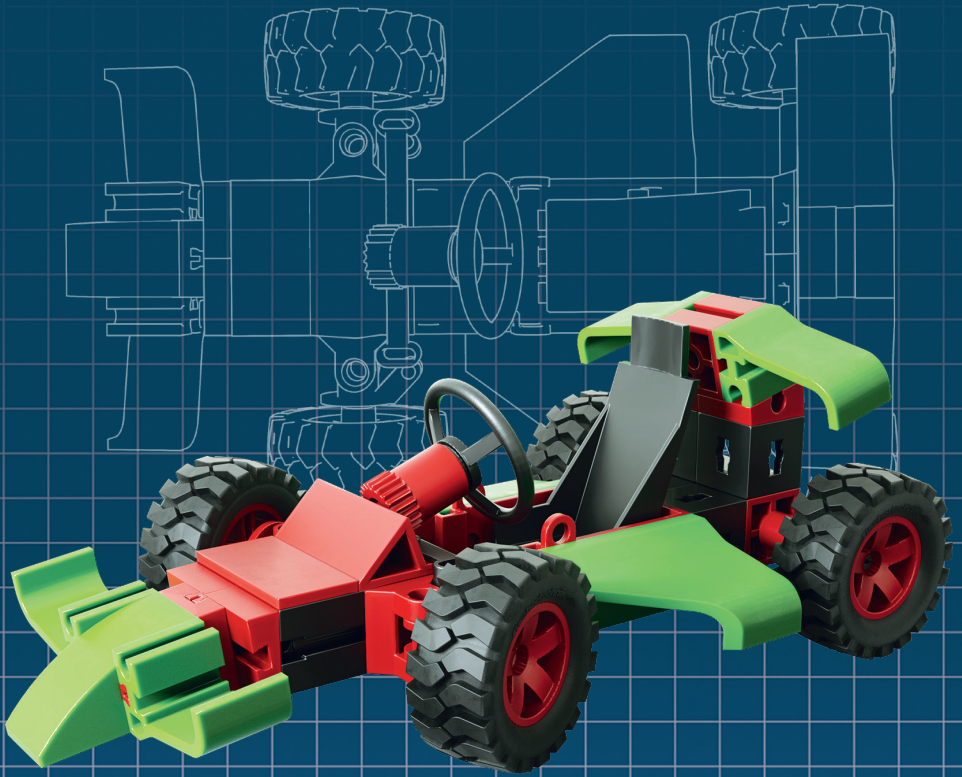




fischertechnik  **ADVANCED**

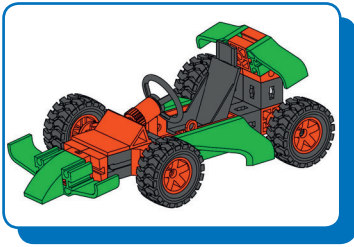


Racers

3 MODELS

| | | | | | |
|---|---------------|---|---------------|---|----------------|
|  | 31 060 2 x |  | 32 064 3 x |  | 38 241 1 x |
|  | 31 436 2 x |  | 32 071 2 x |  | 142 251 4 x |
|  | 31 915 1 x |  | 32 228 2 x |  | 143 231 4 x |
|  | 31 916 1 x |  | 32 229 1 x |  | 163 198 1 x |
|  | 31 978 1 x |  | 32 230 1 x |  | 163 199 1 x |
|  | 31 981 2 x |  | 32 879 2 x |  | 163 200 4 x |
|  | 31 982 5 x |  | 35 405 1 x |  | 163 202 1 x |
|  | 31 983 2 x |  | 36 922 4 x | | |
|  | 31 984 1 x |  | 37 237 1 x | | |

- Alle Einzelteile, insbesondere bewegliche Teile sind falls notwendig zu warten und zu reinigen.
- All components, especially moving parts, should be maintained and cleaned as necessary.
- Toutes les pièces détachées et en particulier les pièces mobiles, sont, si nécessaire, à entretenir et à nettoyer.
- Alle onderdelen, vooral de bewegende delen, kunnen, indien noodzakelijk, onderhouden en gereinigd worden.
- Es necesario limpiar y mantener en buen estado todas las diferentes piezas - especialmente las piezas móviles.
- Caso necessário, todas as peças individuais, especialmente peças móveis, tem que ser submetidas à manutenção e ser limpas.
- Se necessario, tutti i singoli componenti, soprattutto le parti mobili, si devono eventualmente sottoporre a manutenzione e pulizia.
- Все детали, особенно подвижные, требуют ухода и чистки.
- 必要时应保养和清洁所有零件，尤指运动部件。



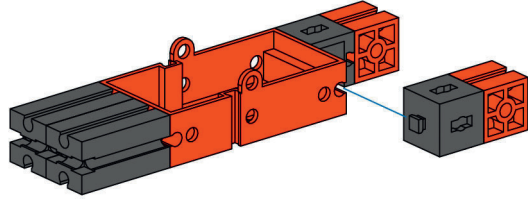
1

1 x

2 x

2 x

2 x



2

2 x

2 x

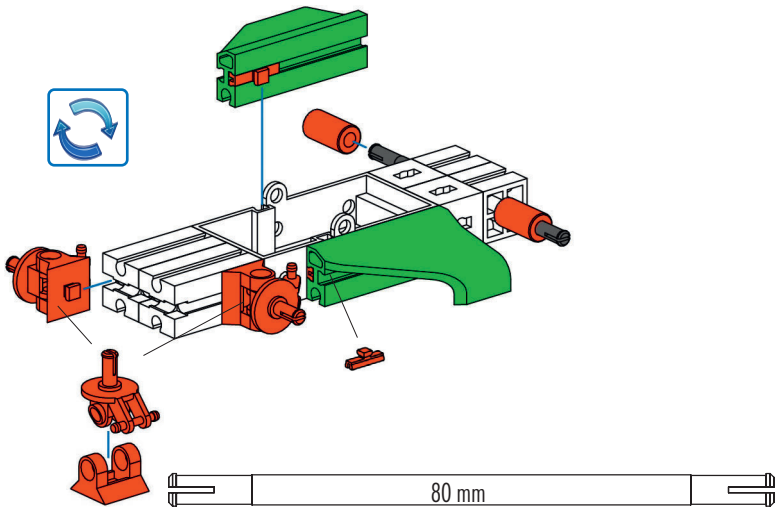
1 x

1 x



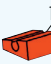

2 x


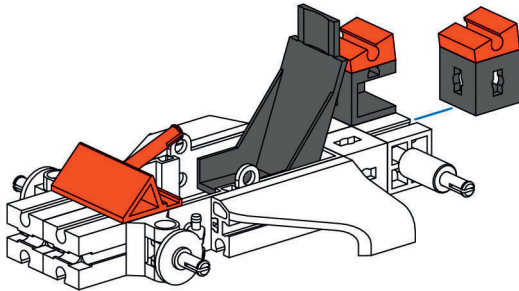
1 x

2 x







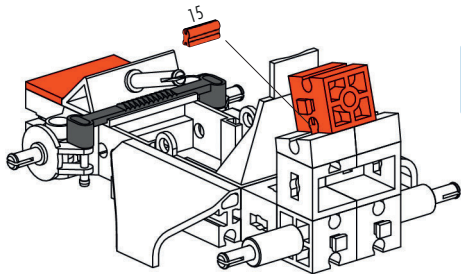
3





1 x  1 x  2 x  2 x  1 x

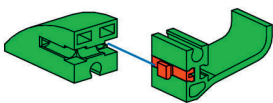
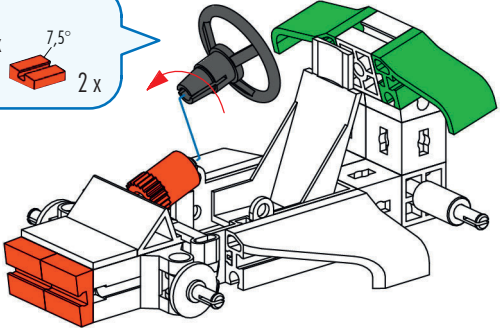
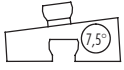






4




1 x  1 x  1 x  1 x  1 x

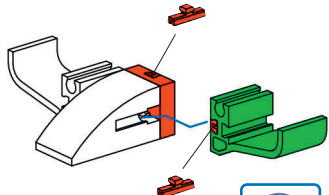




5  1x  1x  2x  2x





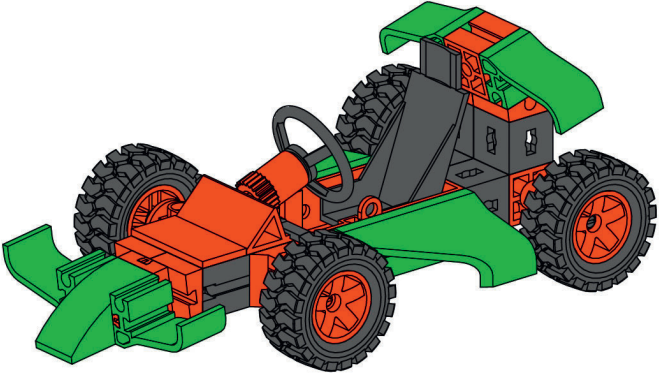
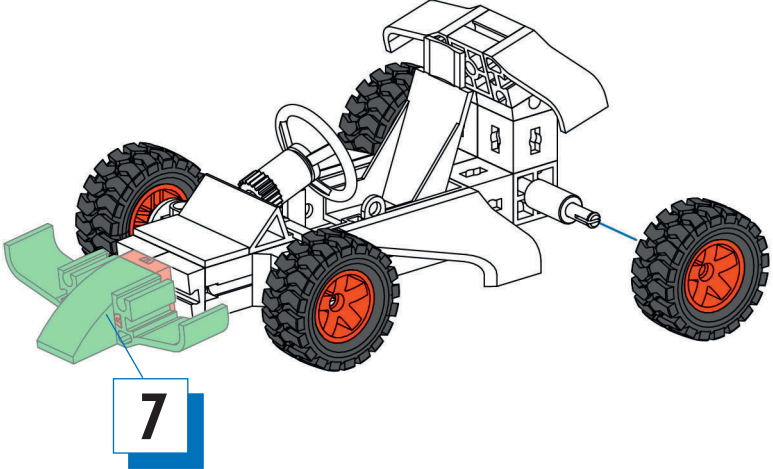
6  1x  1x  1x

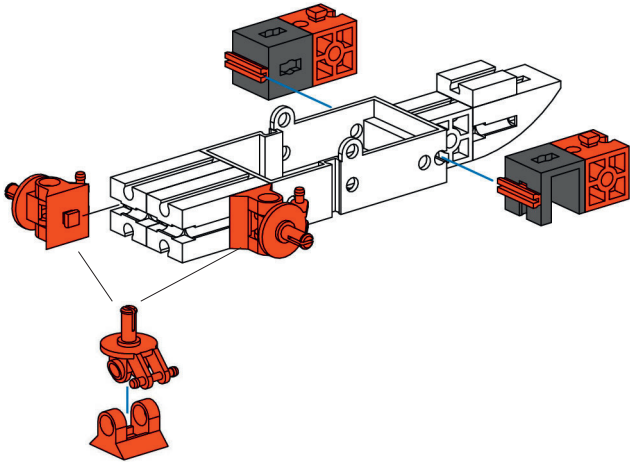
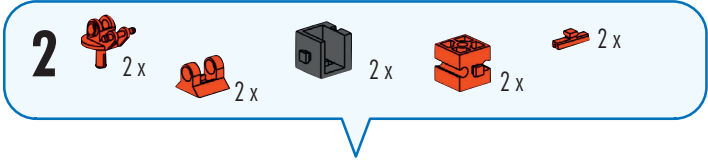
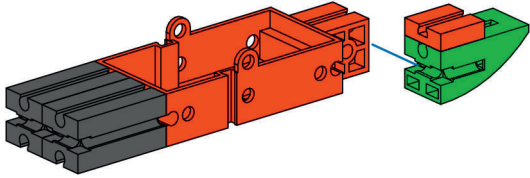
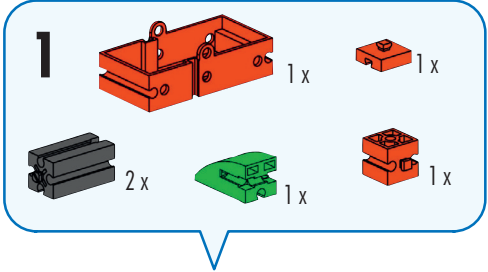
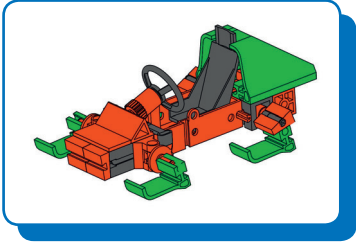
7  1x  1x  2x



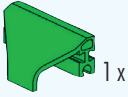
8  4 x  4 x


 4 x





3



1x



1x



1x

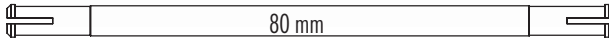
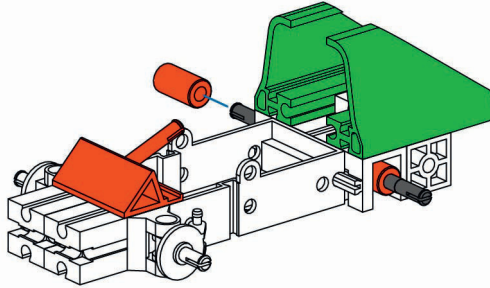


2x



80

1x



80 mm

4



1x



1x

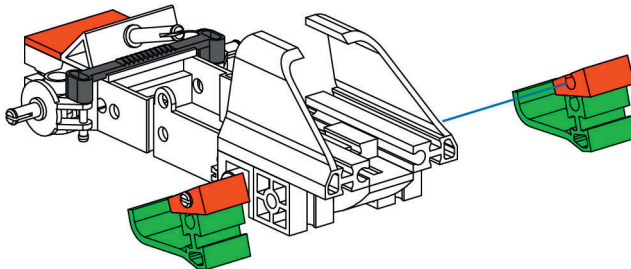
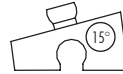


2x



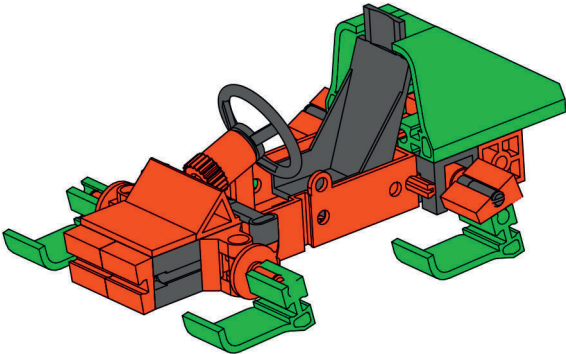
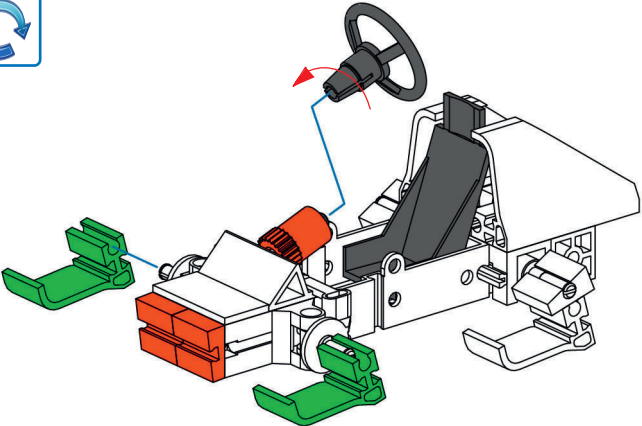
15°

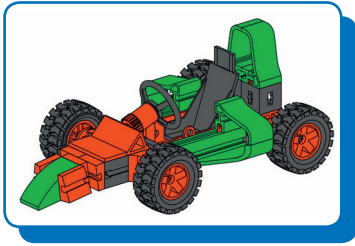
2x



5

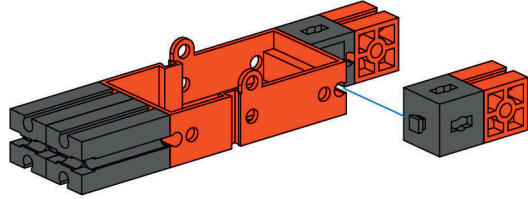
- 1x [Grey seat backrest]
- 1x [Black steering wheel]
- 1x [Red bush]
- 2x [Green Technic pin]
- 2x [Red Technic axle with 7.5° angle]





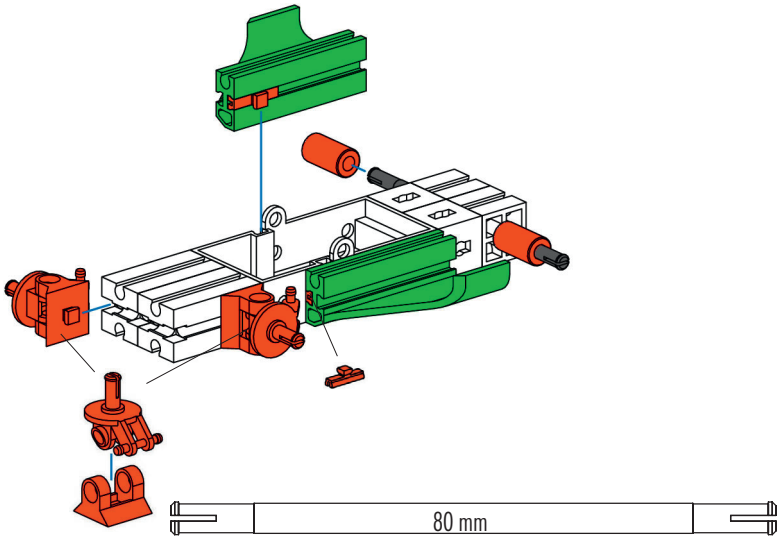
1

- 1 x Orange Technic 2x4 Box with Studs
- 2 x Grey Technic 1x3 Beam
- 2 x Grey Technic 1x2 Connector
- 2 x Orange Technic 1x2 Connector



2

- 2 x Orange Technic Axle Pin
- 2 x Orange Technic 1x2 Connector
- 1 x Green Technic 1x4 Beam with Stud
- 1 x Green Technic 1x4 Beam with Stud
- 2 x Orange Technic 1x2 Connector
- 1 x Grey Technic Axle 80
- 2 x Orange Technic Pin



3



2 x



1 x



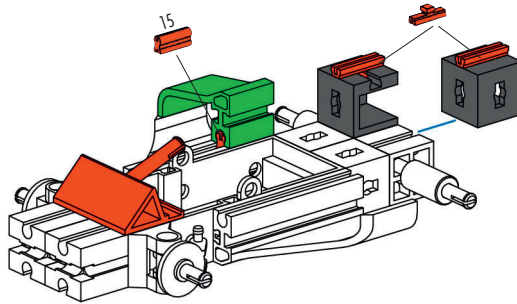
1 x



2 x



1 x



4



3 x



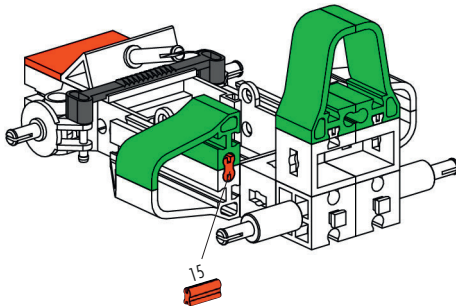
1 x

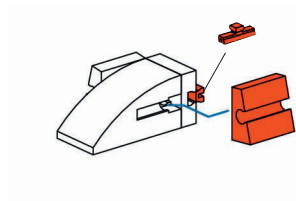
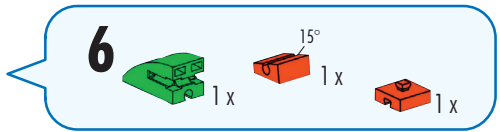
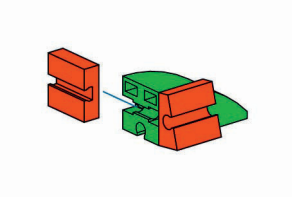
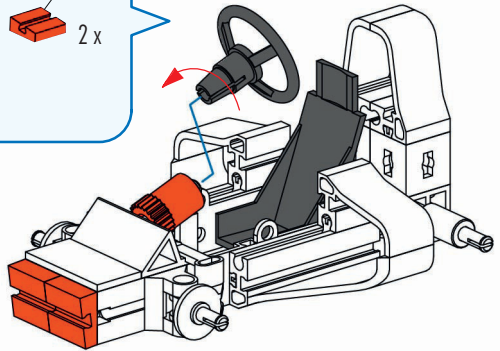
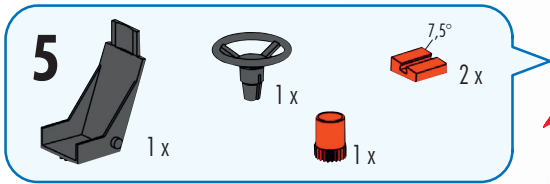




1 x



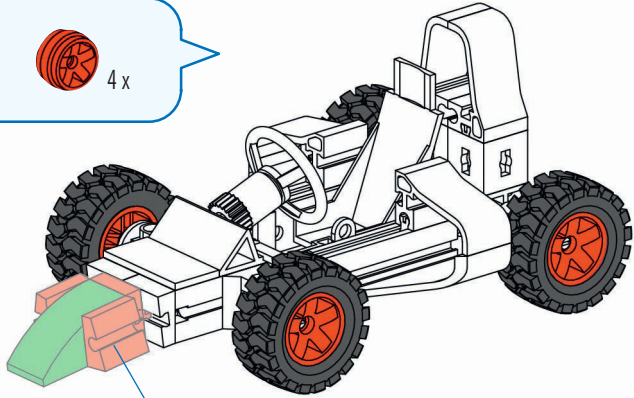
1 x



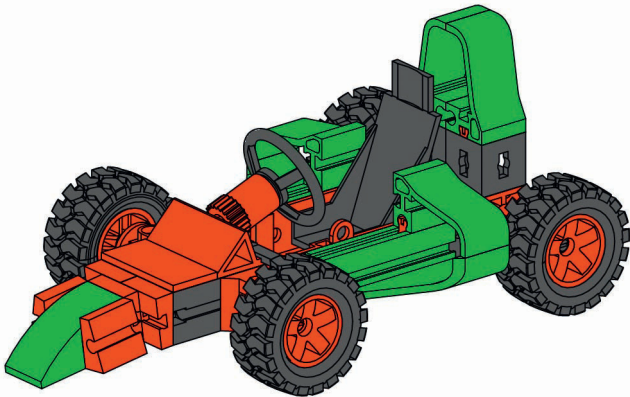


8  4 x  4 x


 4 x



7

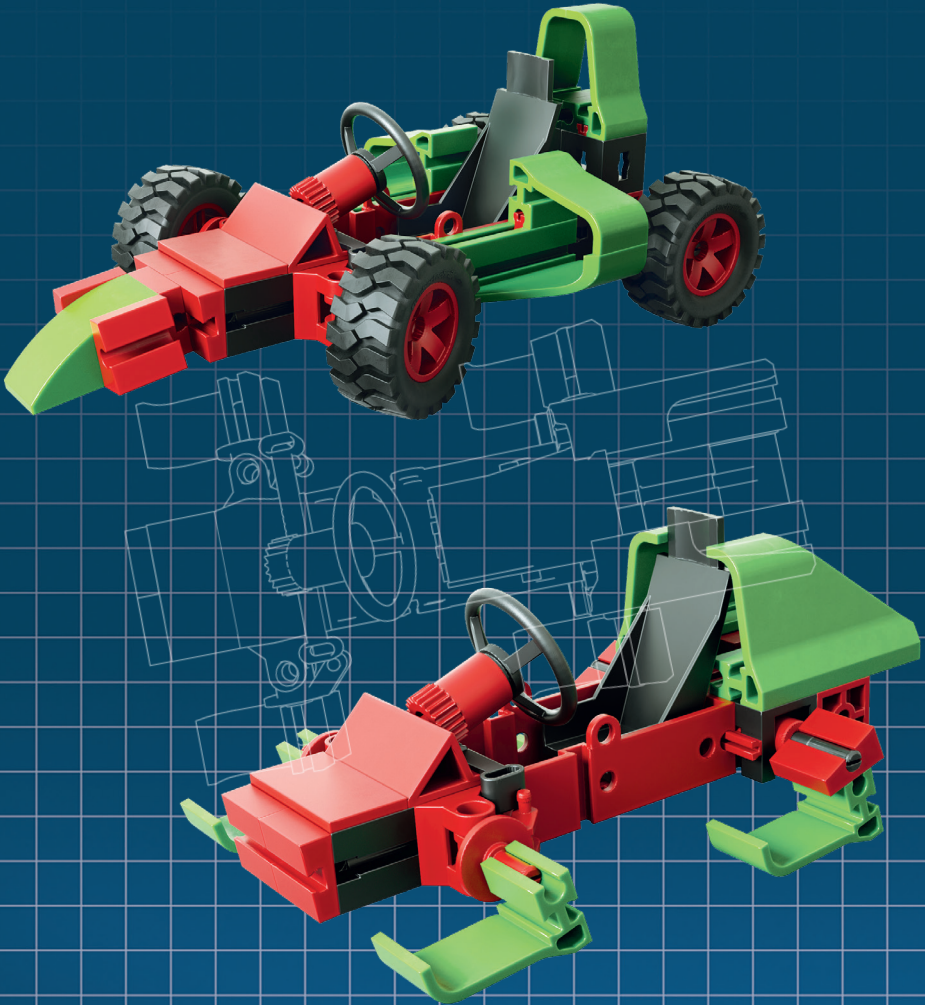


fischertechnik GmbH
Klaus-Fischer-Str. 1
72178 Waldachtal
Germany

Phone +49 74 43/12-43 69
Fax +49 74 43/12-45 91
info@fischertechnik.de
www.fischertechnik.de



fischertechnik **ADVANCED**



Racers

3 MODELS

163427 - 02/17 - Co - Printed in Germany - Technische Änderungen vorbehalten - Subject to technical modifications