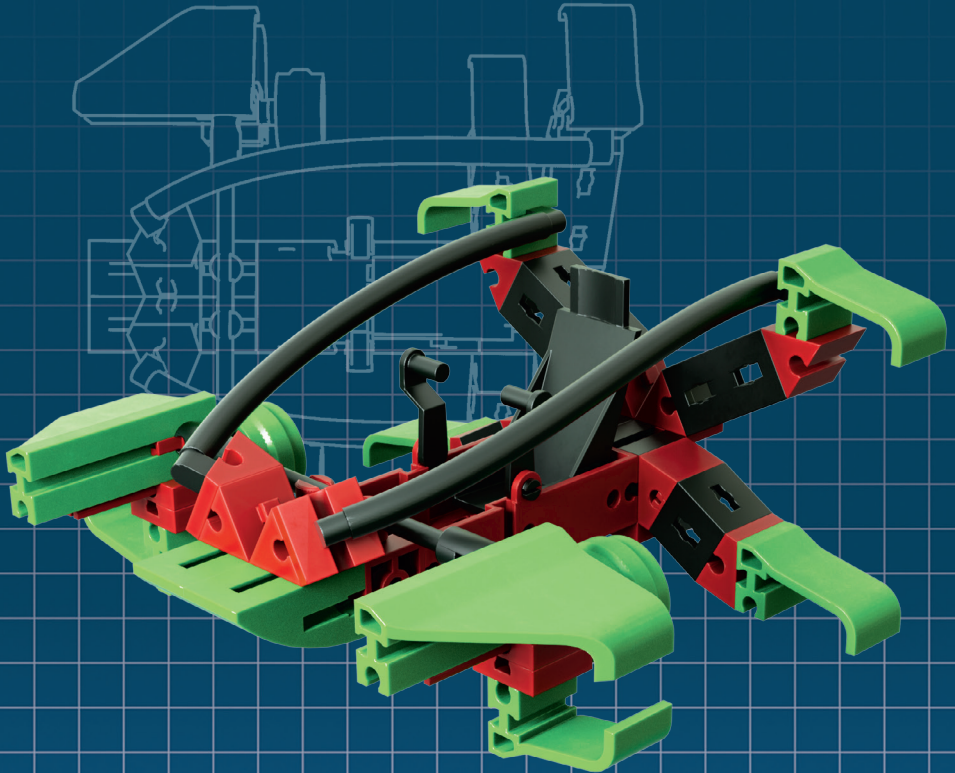





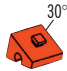
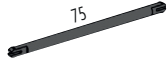

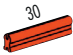

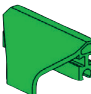
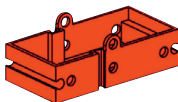







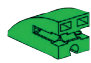









**fischertechnik**  **ADVANCED**

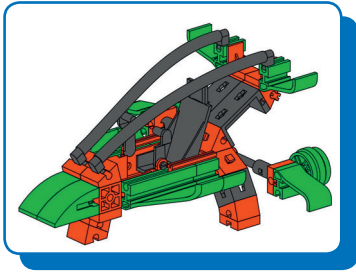


**Gliders**

**3 MODELS**

	31 010 6 x		32 881 2 x		38 428 1 x
	31 011 6 x		35 087 1 x		159 782 2 x
	31 061 3 x		35 980 2 x		163 198 1 x
	31 978 1 x		36 227 2 x		163 199 1 x
	31 982 7 x		36 586 2 x		163 200 6 x
	31 984 1 x		36 920 2 x		163 202 2 x
			36 922 2 x		163 203 4 x
	31 994 2 x		37 237 2 x		163 518 2 x
	32 064 2 x		38 423 2 x		

- Alle Einzelteile, insbesondere bewegliche Teile sind falls notwendig zu warten und zu reinigen.
- All components, especially moving parts, should be maintained and cleaned as necessary.
- Toutes les pièces détachées et en particulier les pièces mobiles, sont, si nécessaire, à entretenir et à nettoyer.
- Alle onderdelen, vooral de bewegende delen, kunnen, indien noodzakelijk, onderhouden en gereinigd worden.
- Es necesario limpiar y mantener en buen estado todas las diferentes piezas - especialmente las piezas móviles.
- Caso necessário, todas as peças individuais, especialmente peças móveis, tem que ser submetidas à manutenção e ser limpas.
- Se necessario, tutti i singoli componenti, soprattutto le parti mobili, si devono eventualmente sottoporre a manutenzione e pulizia.
- Все детали, особенно подвижные, требуют ухода и чистки.
- 必要时应保养和清洁所有零件，尤指运动部件。



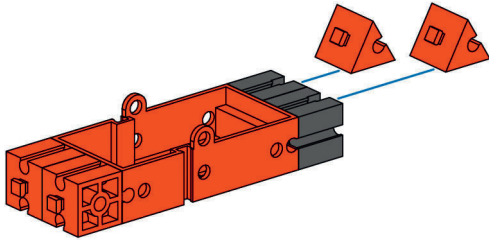
**1**

1 x

2 x 60°

2 x

2 x

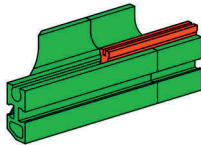


**2**

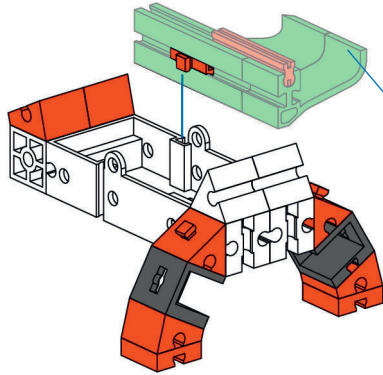
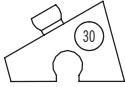
1 x

1 x

30 1 x



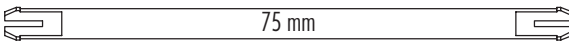
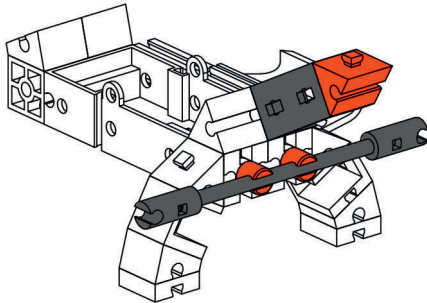
3



2



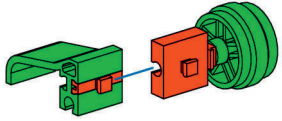
4





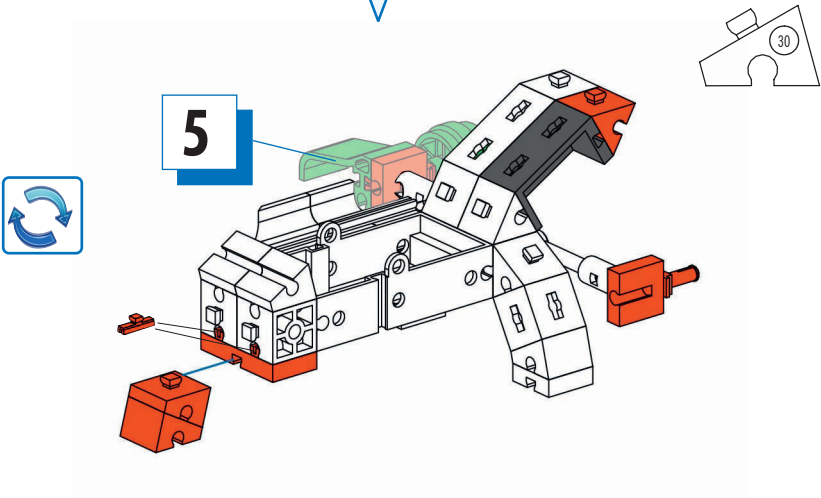
**5**

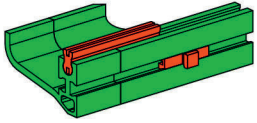
1x  
1x  
1x  
1x



**6**

1x  
1x  
1x  
2x  
60°  
30°  
1x  
2x



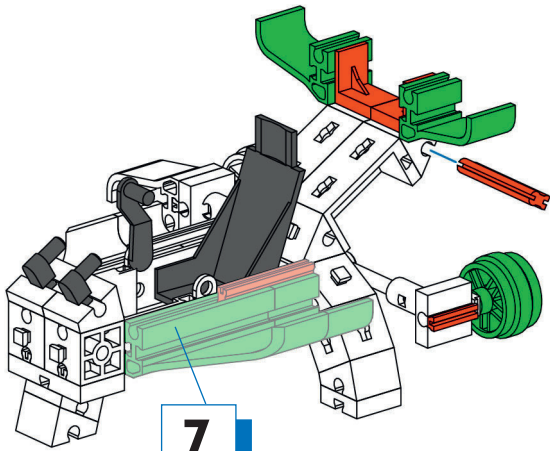


**7**

- 1 x (small red pin)
- 1 x (green curved piece)
- 1 x (orange axle, length 30)
- 1 x (green curved piece)

**8**

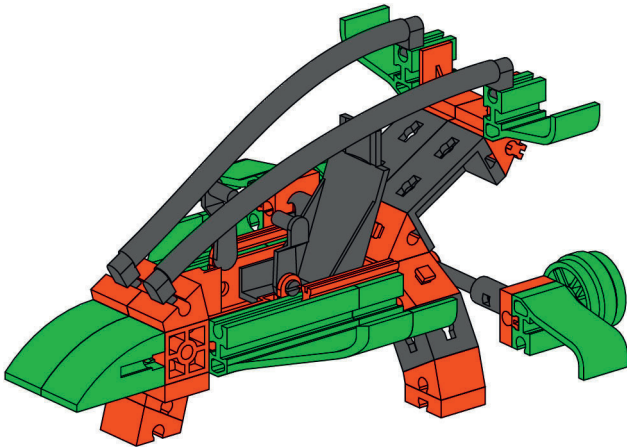
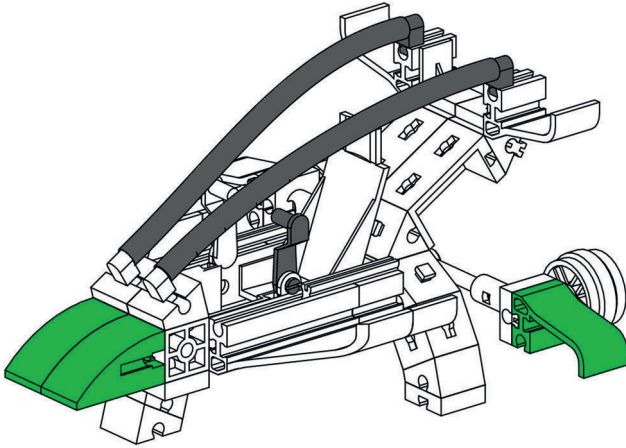
- 1 x (grey wedge)
- 2 x (green curved piece)
- 1 x (green wheel)
- 2 x (black pins)
- 1 x (grey L-shaped piece)
- 2 x (orange pins)
- 1 x (orange axle, length 30)
- 1 x (small red pin)

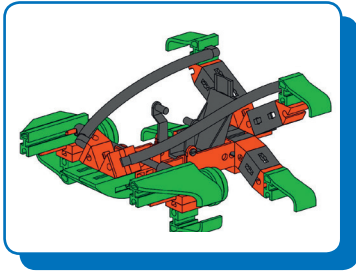


**7**

**9**

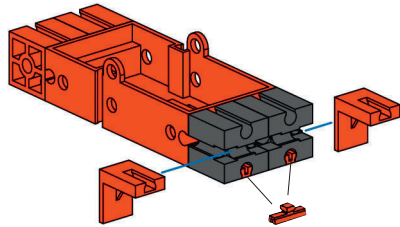
2x  
1x  
1x  
2x  
2x





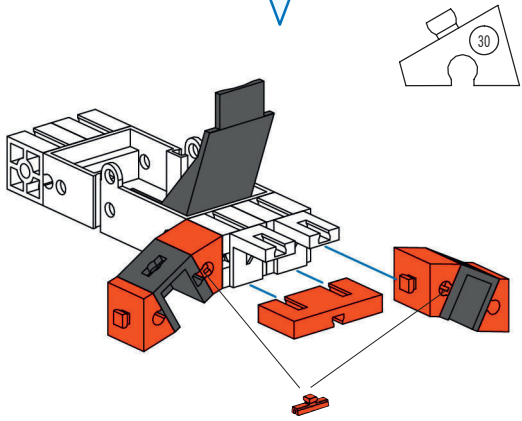
**1**

- 1 x Orange Technic 1x3 Beam with 2 Holes
- 2 x Grey Technic 1x2 Technic Axle Connector
- 2 x Orange Technic 1x2 Technic Pin
- 2 x Orange Technic 1x2 Technic Pin with Friction Ridge
- 2 x Orange Technic 1x2 Technic Pin with Friction Ridge

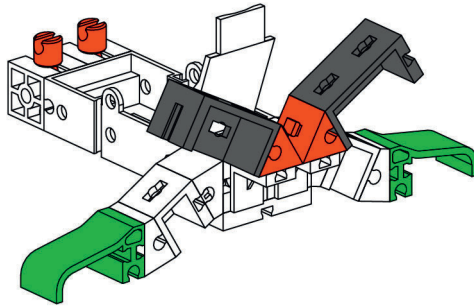
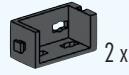
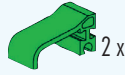


**2**

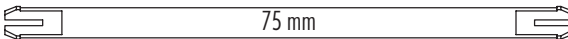
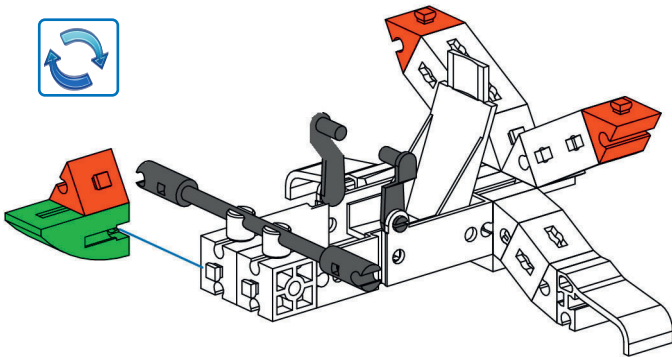
- 1 x Grey Technic 1x3 Technic Axle Connector
- 4 x Orange Technic 1x2 Technic Pin with 30° Friction Ridge
- 2 x Grey Technic 1x2 Technic Axle Connector
- 1 x Orange Technic 1x2 Technic Pin
- 2 x Orange Technic 1x2 Technic Pin with Friction Ridge



3

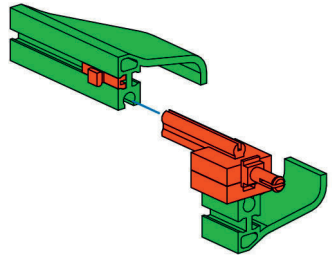


4



**5**

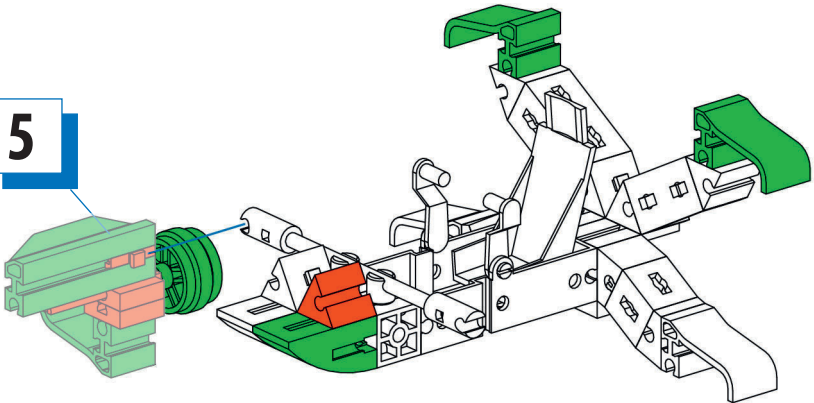
- 1x Green Technic Beam (1 x 3)
- 1x Green Technic Beam (1 x 3)
- 1x Orange Technic Pin (1 x 1)
- 1x Orange Technic Pin (1 x 1)
- 1x Orange Technic Pin (1 x 1)
- 1x Orange Technic Pin (30)



**6**

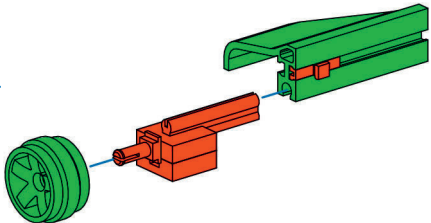
- 1x Green Technic Wheel
- 2x Green Technic Beam (1 x 3)
- 1x Green Technic Beam (1 x 3)
- 1x Orange Technic Pin (60°)





**5**

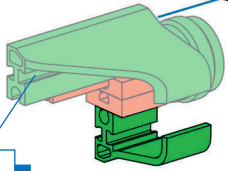
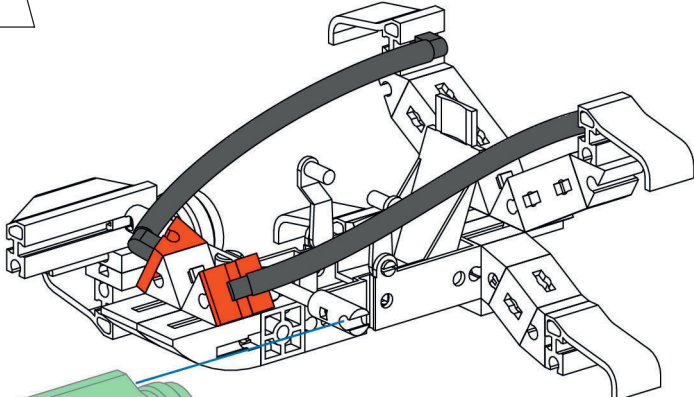
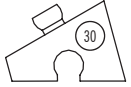


**7**

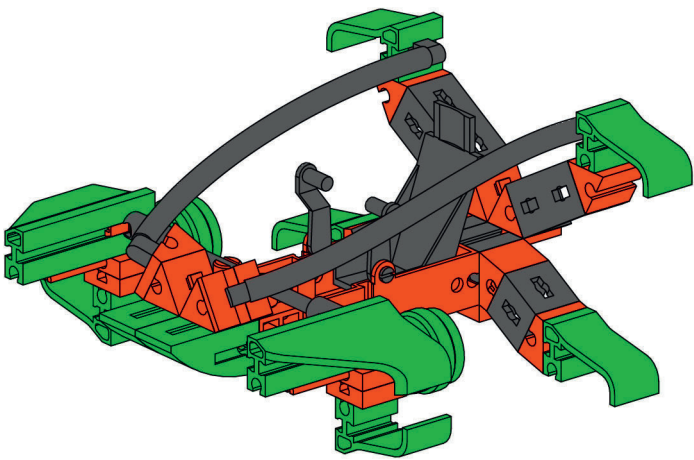
- 1x Green Technic Beam (1 x 3)
- 1x Green Technic Wheel
- 1x Orange Technic Pin (1 x 1)
- 1x Orange Technic Pin (1 x 1)
- 1x Orange Technic Pin (30)
- 1x Orange Technic Pin (1 x 1)

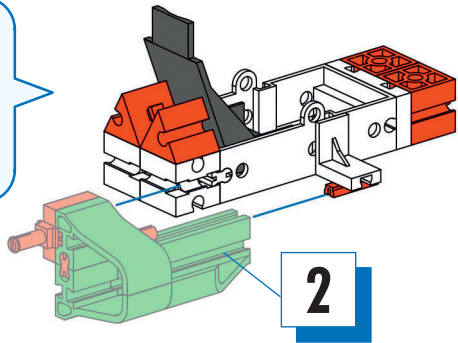
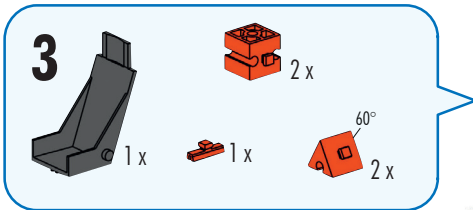
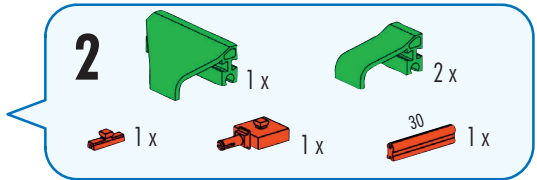
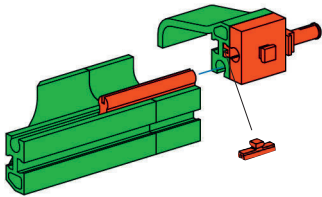
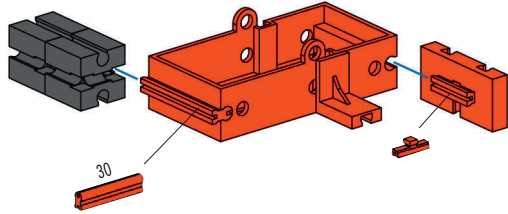
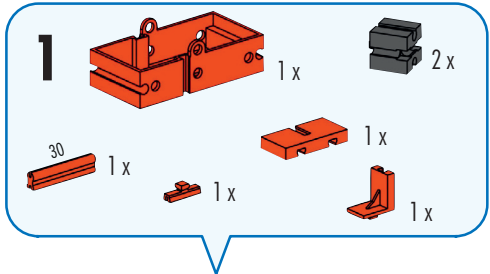
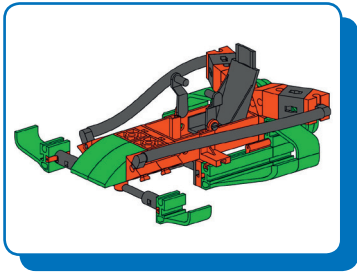


**8**  2 x   
  1 x   
  4 x   
  2 x



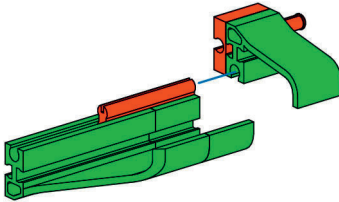
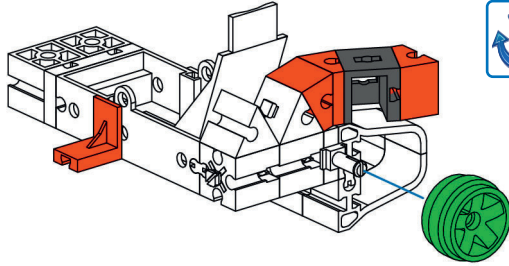
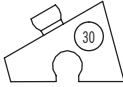
**7**



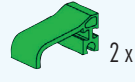
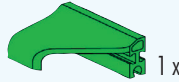




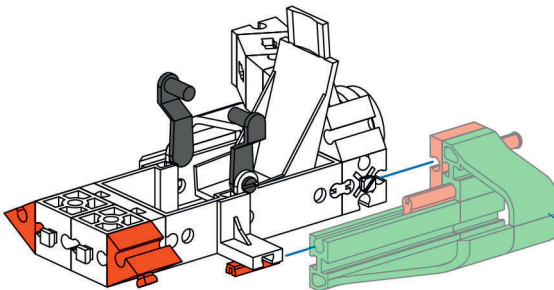
4



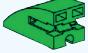

5

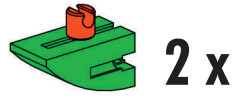





6

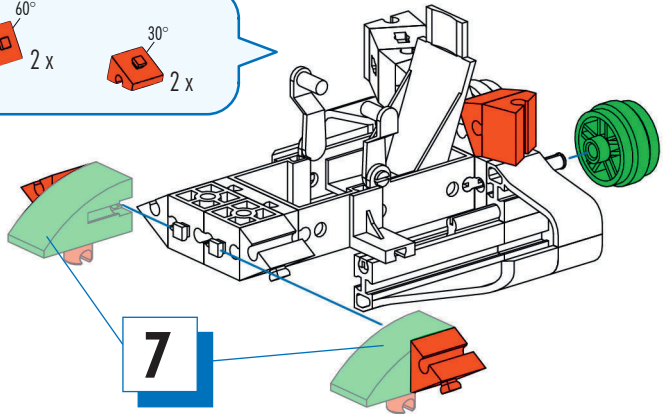
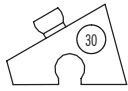




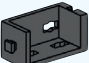



5

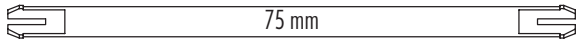
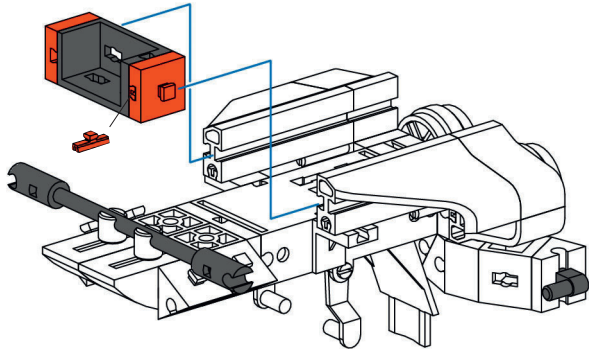
**7**  2x  2x



**8**  1x  2x  2x



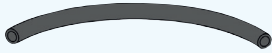
**9**  1x  1x  1x  2x  1x  2x



10



2 x



2 x



1 x



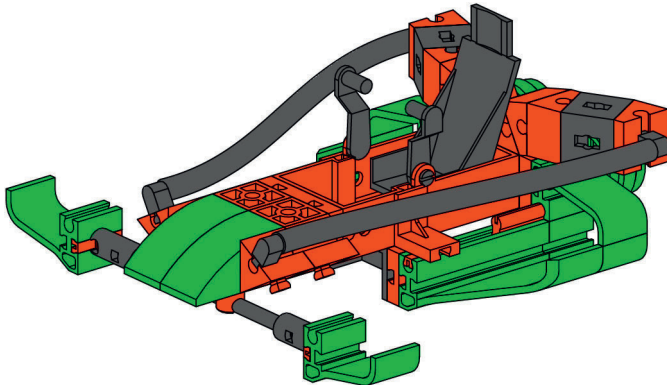
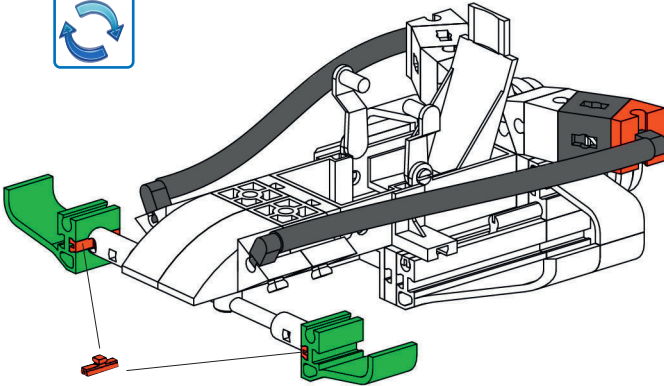
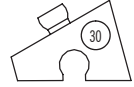
1 x



2 x



3 x

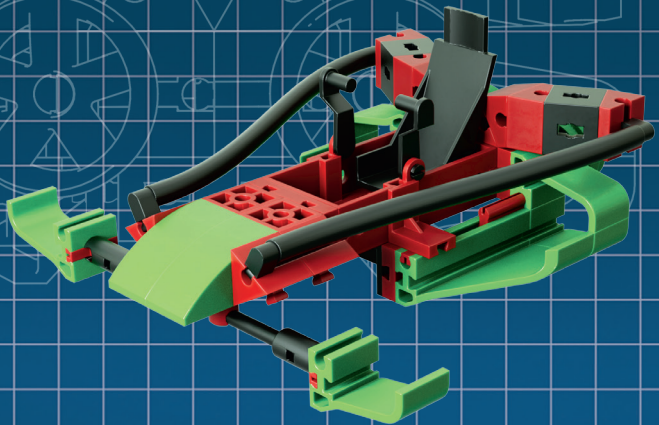
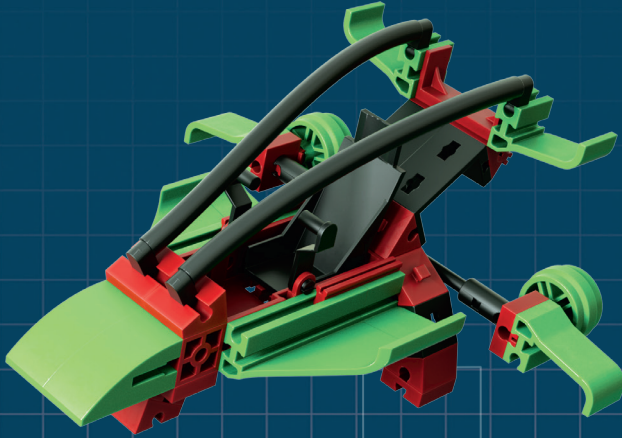


fischertechnik GmbH  
Klaus-Fischer-Str. 1  
72178 Waldachtal  
Germany

Phone +49 74 43/12-43 69  
Fax +49 74 43/12-45 91  
info@fischertechnik.de  
www.fischertechnik.de



# fischertechnik **ADVANCED**



## Gliders

## 3 MODELS

163428 · 02/17 · Co · Printed in Germany · Technische Änderungen vorbehalten · Subject to technical modifications