



199581 - 03/23 - Co. Printed in Germany - Technische Änderungen vorbehalten - Subject to technical modifications

ADVANCED Crazy Rides

fischertechnik GmbH
Klaus-Fischer-Str. 1
72178 Waldachtal
Germany

Phone: +4974 43/12-43 69
Fax: +4974 43/12-45 91

info@fischertechnik.de
www.fischertechnik.de

www.fischertechnik.de



Bauanleitung
Assembly instruction
Instructions de montage
Bouwhandleiding
Instrucciones de construcción

Manual de montagem
Istruzioni di montaggio
Инструкция по сборке
安装说明书

ADVANCED Crazy Rides

MODELS

4

Inhalt
Contents
Contenu

Inhoud
Contenido
Conteúdo

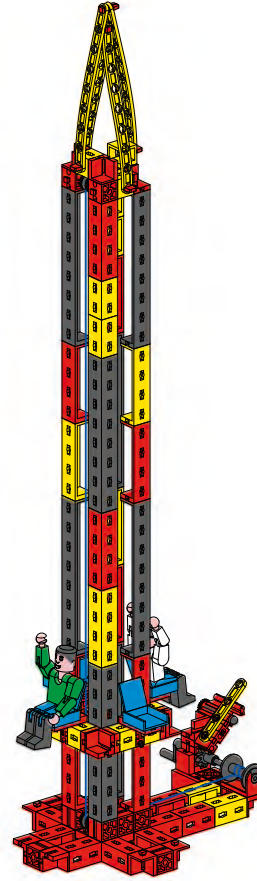
Contenuto
Содержание
目录

Einzelteilübersicht / Spare parts list / Liste des pièces détachées / Onderdelenoverzicht / Lista de piezas / Resumo de peça individual /
Singoli componenti / Перечень деталей / 零件概览 1

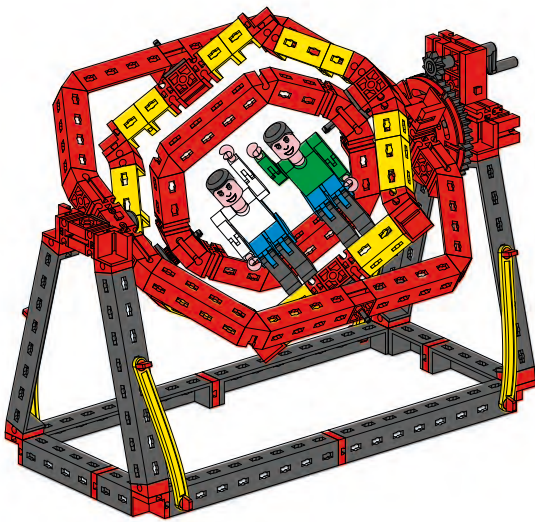
Montagetips / Tips for assembly / Tuyaux pour le montage / Montagetips / Consejos para el montaje / "Dicas" para montagem /
Consigli per il montaggio / Советы по сборке / 装配建议 2



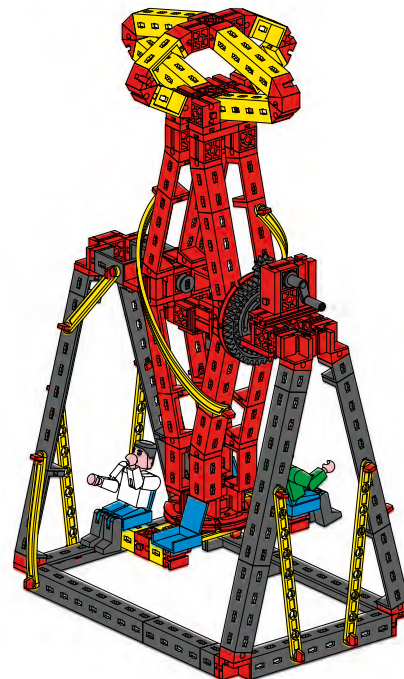
Bungee-Ball / Bungee-Ball / Bungee-Ball / Bungee-Ball / Bungee-Ball /
Bungee-Ball / Palla elastica / Банджи-шарик / 邦吉球 4



Free-Fall-Tower / Free-Fall-Tower / Free-Fall-Tower / Free-Fall-Tower /
Free-Fall-Tower / Free-Fall-Tower / Free-Fall-Tower /
Свободно падающая башня / 自由落体塔 19



Gyrospin / Gyrospin / Gyrospin / Gyrospin / Gyrospin / Gyrospin /
Gyrospin / Гиропин / 陀螺仪 30





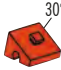

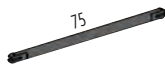






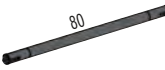















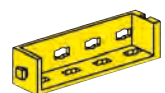






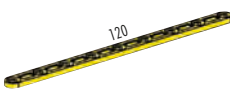




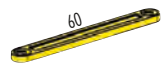





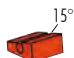









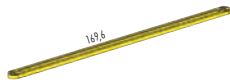








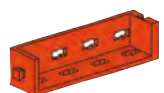


Spinmaster / Spinmaster / Spinmaster / Spinmaster / Spinmaster /
Spinmaster / Spinmaster / Спинмастер / 自转車 41

Einzelteilübersicht
Spare parts list
Liste des pièces détachées

Onderdelenoverzicht
Lista da piezas
Resumo de peça individual



Singoli componenti
Перечень деталей
零件概览

	31 010 4 x		32 330 2 x		35 073 3 x		36 921 6 x
	31 011 8 x		32 850 1 x		35 087 2 x		36 922 6 x
	31 019 2 x		32 869 1 x		35 088 1 x		36 973 2 x
	31 022 1 x		32 870 1 x		35 405 1 x		37 237 11 x
	31 058 2 x		35 031 1 x		35 806 1 x		37 238 2 x
	31 060 1 x		35 049 5 x		35 945 1 x		37 468 23 x
	31 061 2 x		35 051 4 x		36 293 8 x		38 225 1 x
	31 330 1 x		35 053 6 x		36 297 4 x		38 240 18 x
	31 671 4 x		35 058 4 x		36 298 6 x		38 242 2 x
	31 690 1 x		35 060 6 x		36 299 6 x		38 246 2 x
	31 848 2 x		35 061 1 x		36 322 2 x		38 258 2 x
	31 918 7 x		35 062 1 x		36 323 28 x		38 414 2 x
	31 981 28 x		35 063 1 x		36 324 12 x		38 423 1 x
	31 982 16 x		35 064 1 x		36 334 9 x		38 541 1 x
	32 064 28 x		35 065 1 x		36 336 8 x		38 542 1 x
	32 071 1 x		35 069 1 x		36 819 1 x		68 535 1 x
	32 316 1 x		35 070 1 x		36 920 2 x		78 728 9 x

Einzelteilübersicht
Spare parts list
Liste des pièces détachées

	116 251 1 x
	116 252 4 x

Onderdelenoverzicht
Lista da piezas
Resumo de peça individual

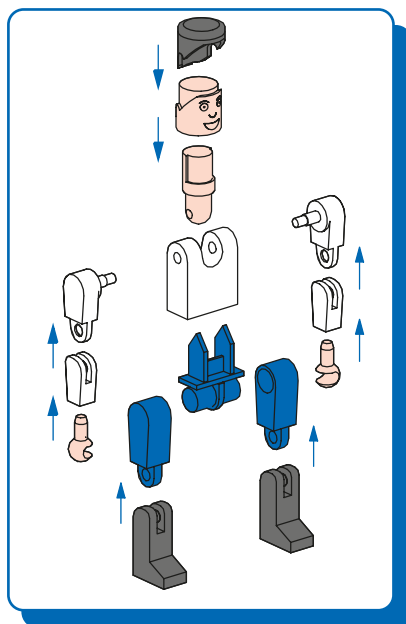
	122 950 2 x
	127 472 12 x

Singoli componenti
Перечень деталей
零件概览

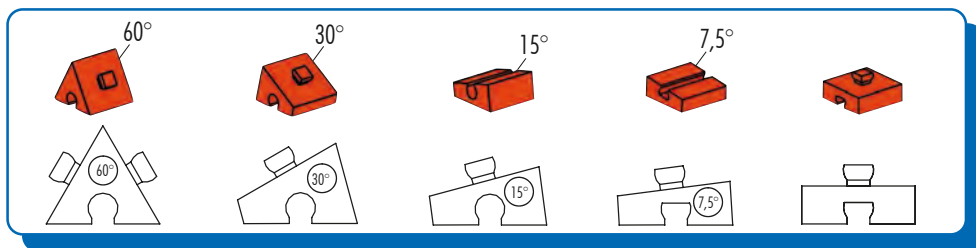
	130 593 5 x
	136 775 2 x

	199 875 1 x
	199 925 1 x

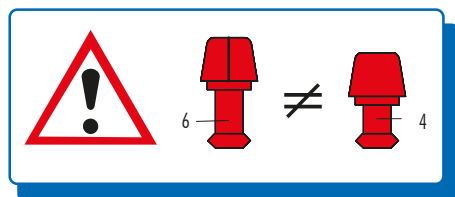
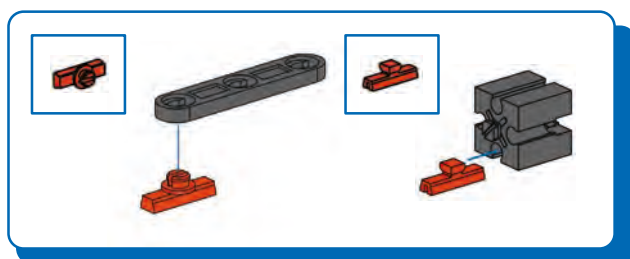
Montagetipps
Tips for assembly
Tuyaux pour le montage



Montagetipps
Consejos para el montaje
"Dicas" para montagem



Consigli per il montaggio
Советы по сборке
装配建议



Sicherheitshinweise
Safety Information
Consignes de sécurité

Veiligheidsrichtlijnen
Indicaciones de seguridad
Observações sobre segurança

Informazioni per la sicurezza
Указания по технике безопасности
安全指南

- Achtung! Verletzungsgefahr an Bauteilen mit funktionsbedingten scharfen Kanten und Spitzen!
- Caution! Be careful not to hurt yourself on components with sharp or pointed edges!
- Attention! Risque de blessure sur les éléments comportant des arêtes et o pointes vives indispensables au bon fonctionnement!
- Let op! U kunt zich bezeren aan bouwstenen met sherpe randen of punten!
- Atención! ¡cuidado, no te hagas daño con los componentes con bordes afilados o puntiagudos!
- Atenção! Perigo de ferimentos em peças componentes com cantos vivos e pontas obrigatórios para o funcionamento !
- Attenzione! Pericolo di lesioni dovute a componenti con spigoli vivi e punte per motivi funzionali!
- Будьте осторожны! Об острые края деталей и и наконечники можно порезаться!
- 注意！因功能需要而带有锋利的棱边和尖角的部件可能会带来受伤危险！

- Alle Einzelteile, insbesondere bewegliche Teile sind falls notwendig zu warten und zu reinigen.
- All components, especially moving parts, should be maintained and cleaned as necessary.
- Toutes les pièces détachées et en particulier les pièces mobiles, sont, si nécessaire, à entretenir et à nettoyer.
- Alle onderdelen, vooral de bewegende delen, kunnen, indien noodzakelijk, onderhouden en gereinigd worden.
- Es necesario limpiar y mantener en buen estado todas las diferentes piezas - especialmente las piezas móviles.
- Caso necessário, todas as peças individuais, especialmente peças móveis, tem que ser submetidas à manutenção e ser limpadas.
- Se necessario, tutti i singoli componenti, soprattutto le parti mobili, si devono eventualmente sottoporre a manutenzione e pulizia.
- Все детали, особенно подвижные, требуют ухода и чистки.
- 必要时应保养和清洁所有零件，尤指运动部件。



- Werde Mitglied im kostenlosen fischertechnik Fan Club und nutze die Vorteile. Melde dich hierzu einfach unter **www.fischertechnik.de/FanClub** an.
- Become a member of the free fischertechnik fan club and take advantage of the benefits. Simply register at **www.fischertechnik.de/FanClub**
- Deviens membre du Fan club fischertechnik gratuit et profite de nombreux avantages. Il suffit de t'inscrire sur **www.fischertechnik.de/FanClub**.
- Word lid van de gratis fischertechnik Fan Club en maak gebruik van de voordelen. Meldt u hiervoor aan op **www.fischertechnik.de/FanClub**.
- Hazte miembro del club de aficionados gratuito de fischertechnik y disfruta de todas las ventajas. Regístrate en **www.fischertechnik.de/FanClub**.
- Torne-se um membro do fã-clube gratuito da Fischertechnike aproveite-a. Basta registrar-se em **www.fischertechnik.de/FanClub**.
- Diventa membro del fan club gratuito di fischertechnik e sfrutta tutti i vantaggi. Basta registrarsi a **www.fischertechnik.de/FanClub**.
- Стань членом бесплатного фан-клуба fischertechnik и пользуйся преимуществами. Для этого просто зарегистрируйся по адресу **www.fischertechnik.de/FanClub**.
- x免费加入慧鱼粉丝俱乐部 (fischertechnik Fan Club) 会员，即刻享受会员福利。只需前往 **www.fischertechnik.de/FanClub** 完成注册即可。



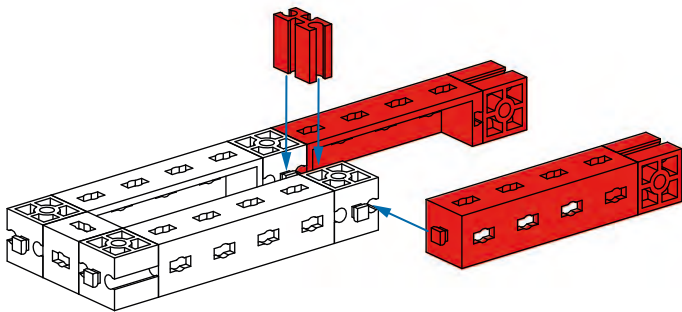
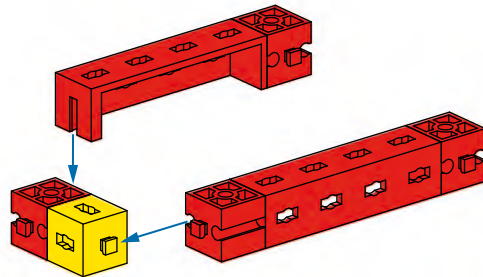
Bungee-Ball
Bungee-Ball
Bungee-Ball

Bungee-Ball
Bungee-Ball
Bungee-Ball

Palla elastica
Банджи-шарик
邦吉球

1

2x 1x 4x

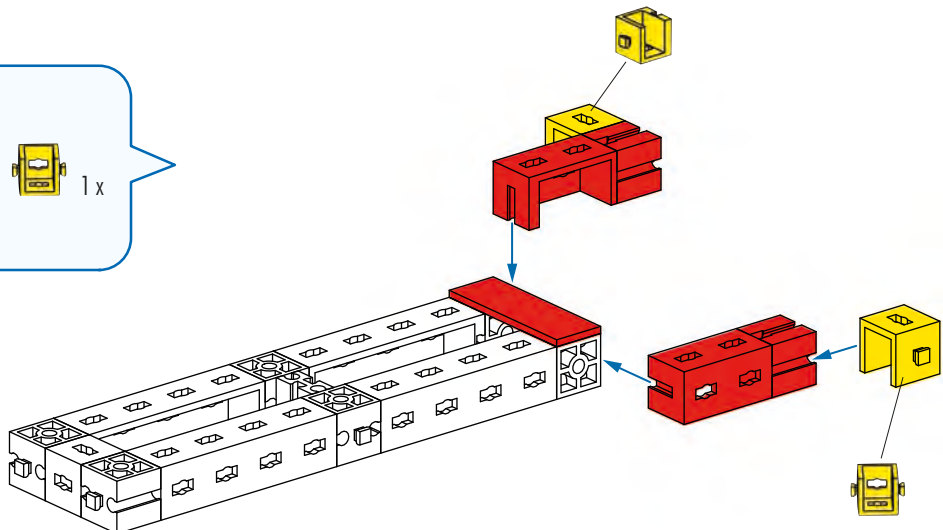


2

2x 2x 1x

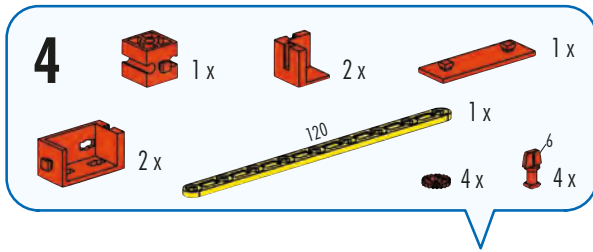
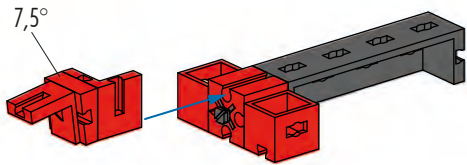
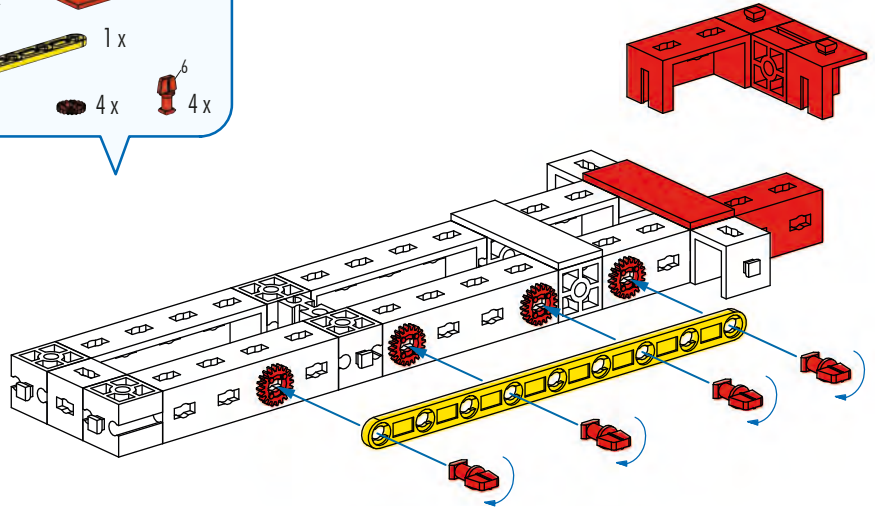
3

2x 1x 1x 2x 1x



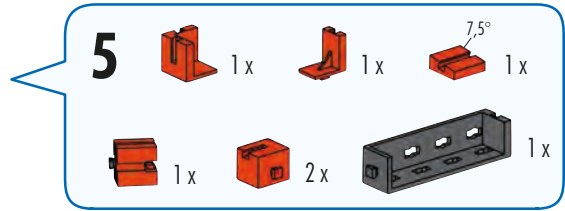
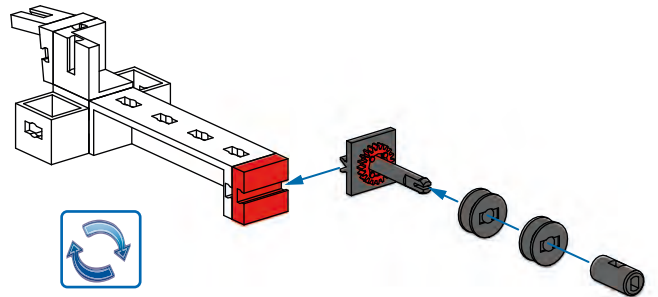
4

- 1x [Red 1x2 Technic Brick with Hole]
- 2x [Red 1x2 Technic Brick with Hole]
- 1x [Red 1x4 Technic Beam]
- 2x [Red 1x2 Technic Brick with Hole]
- 1x [Yellow 120 Technic Beam]
- 4x [Black Technic Pin]
- 4x [Red Technic Pin]

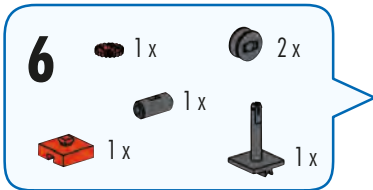
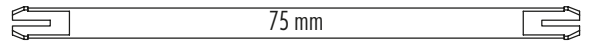
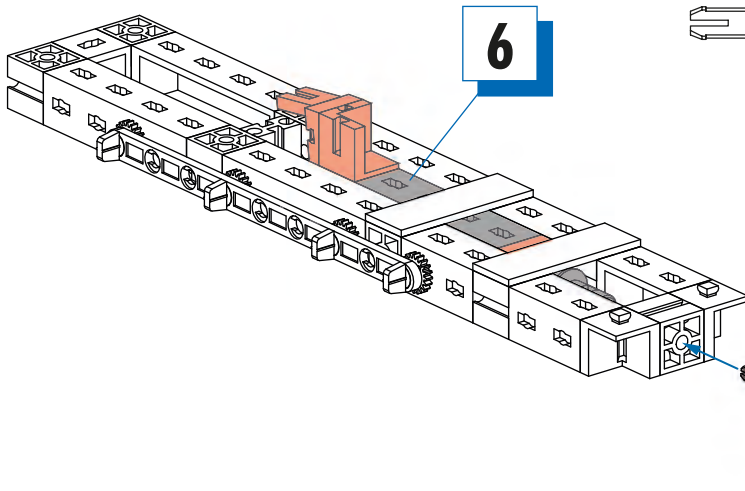
5

- 1x [Red 1x2 Technic Brick with Hole]
- 1x [Red 1x2 Technic Brick with Hole]
- 1x [Red 1x2 Technic Brick with Hole]
- 1x [Red 1x2 Technic Brick with Hole]
- 2x [Red 1x2 Technic Brick with Hole]
- 1x [Grey 1x4 Technic Beam]

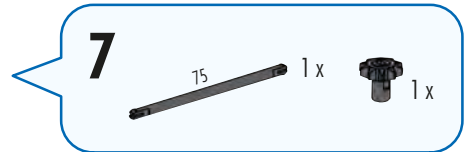
6

- 1x [Black Technic Pin]
- 2x [Black Technic Pin]
- 1x [Black Technic Pin]
- 1x [Red 1x2 Technic Brick with Hole]
- 1x [Black Technic Pin]

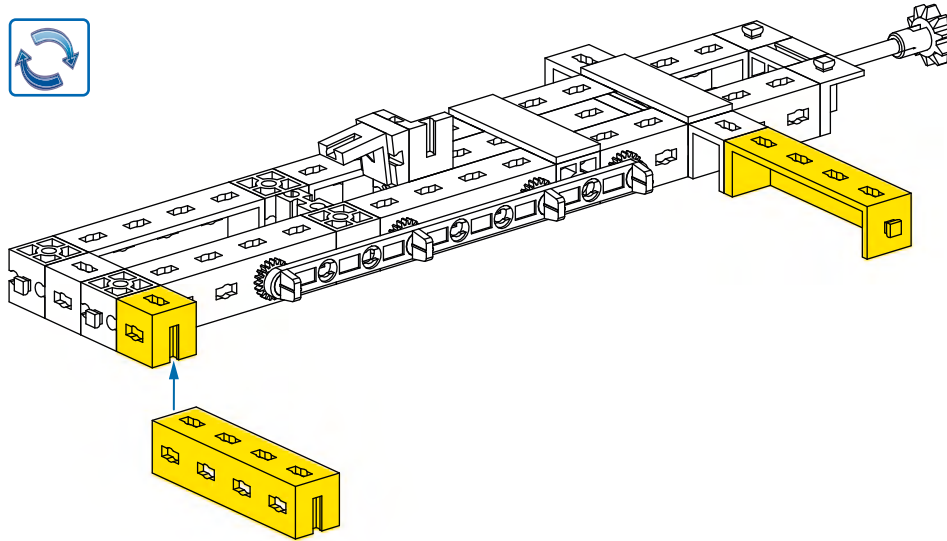
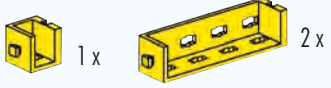



7

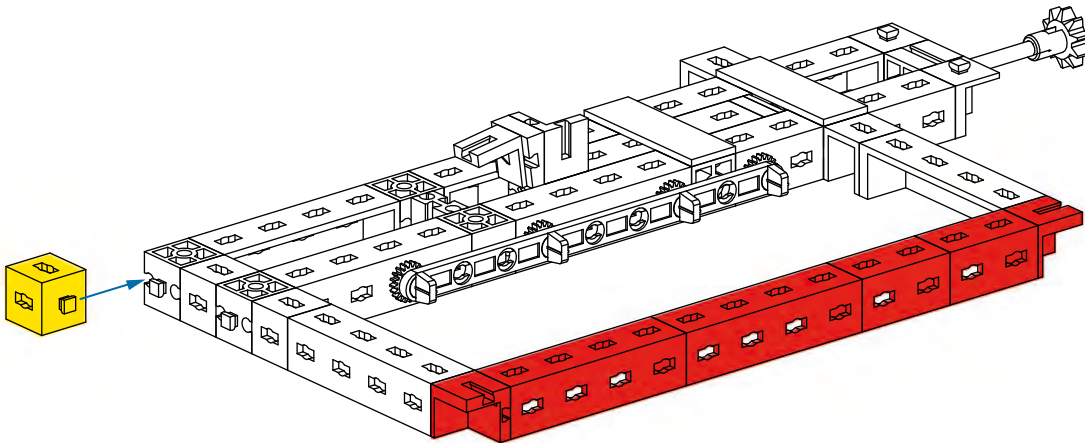
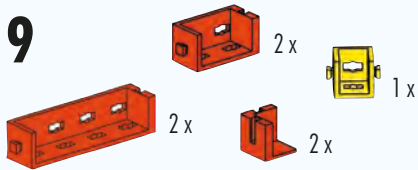
- 1x [Black 75 Technic Pin]
- 1x [Black Technic Pin]




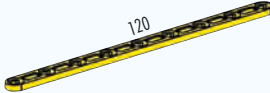

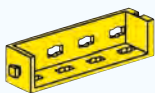
8

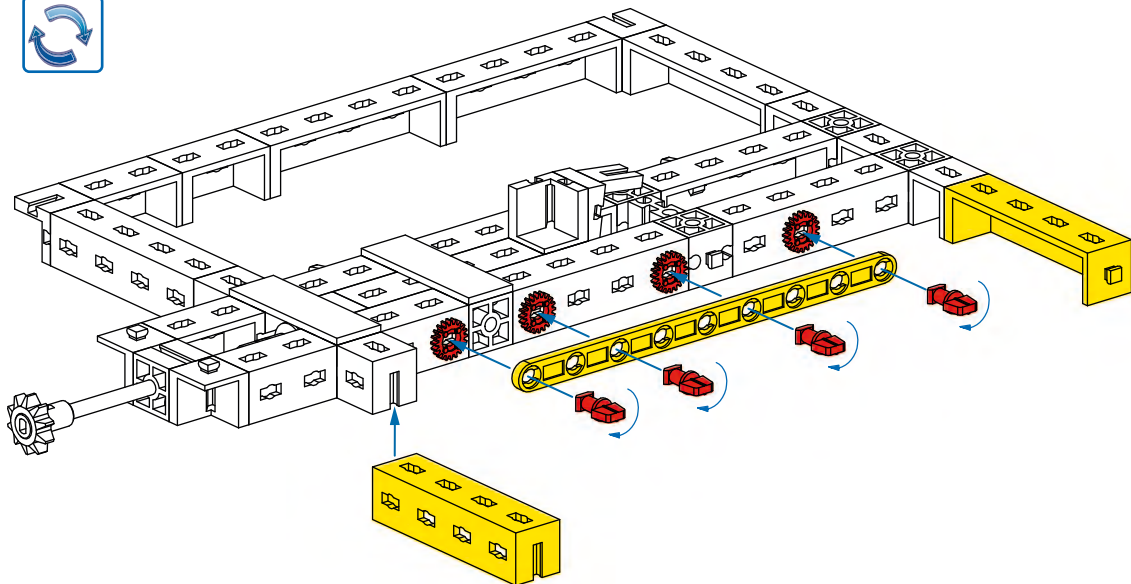


9

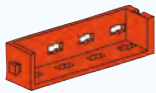



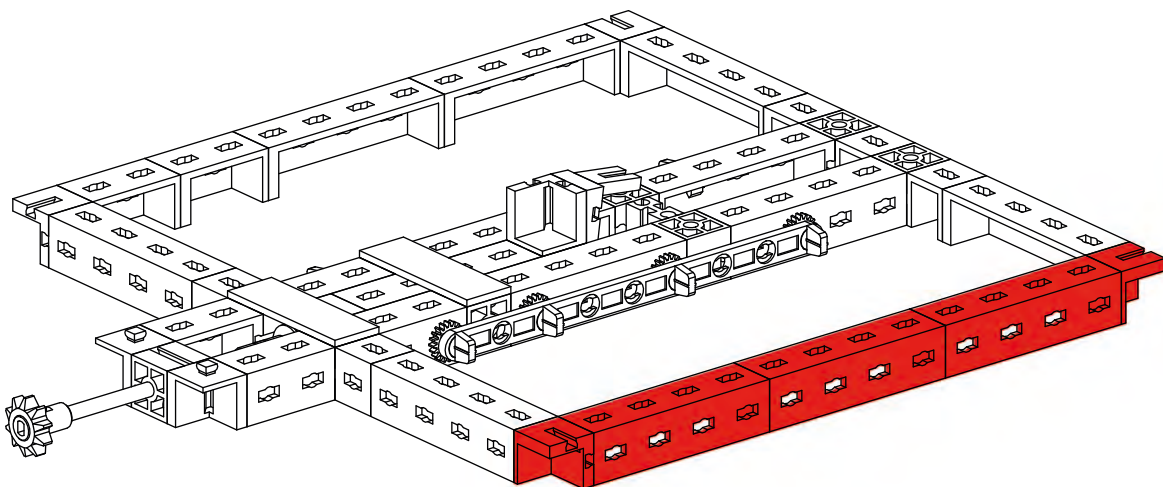
10

- 4 x 
- 1 x 
- 4 x 
- 2 x 



11

- 3 x 
- 2 x 



12

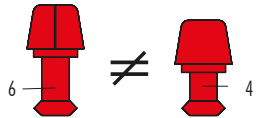
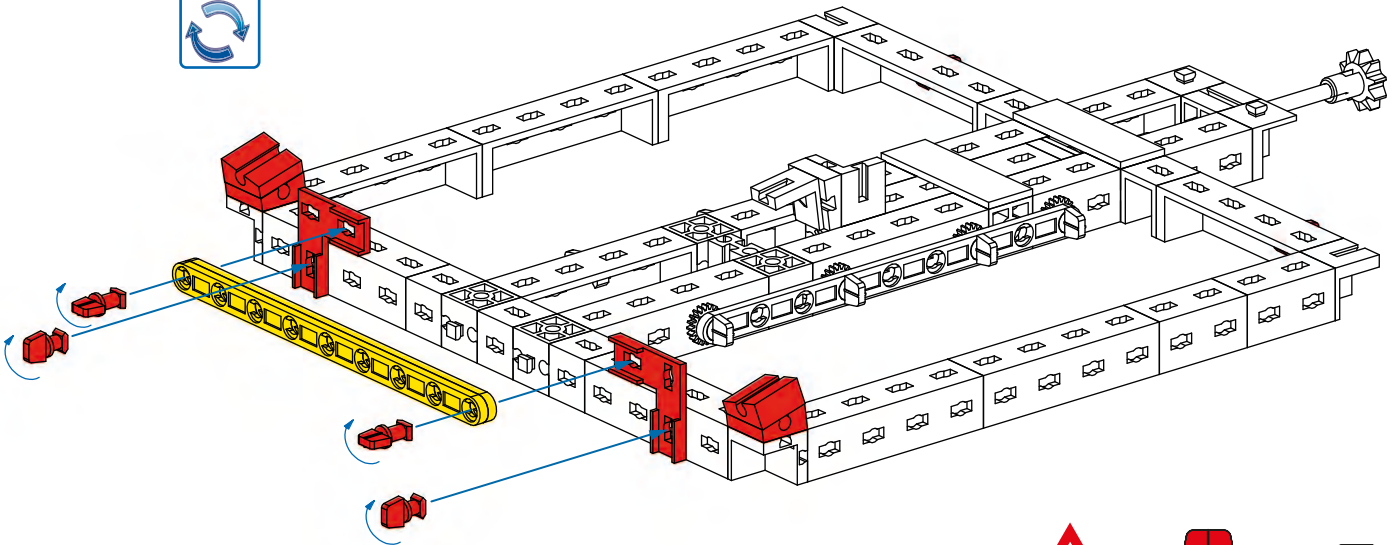
15° 4 x

6 2 x

4 2 x

120 2 x

2 x



13

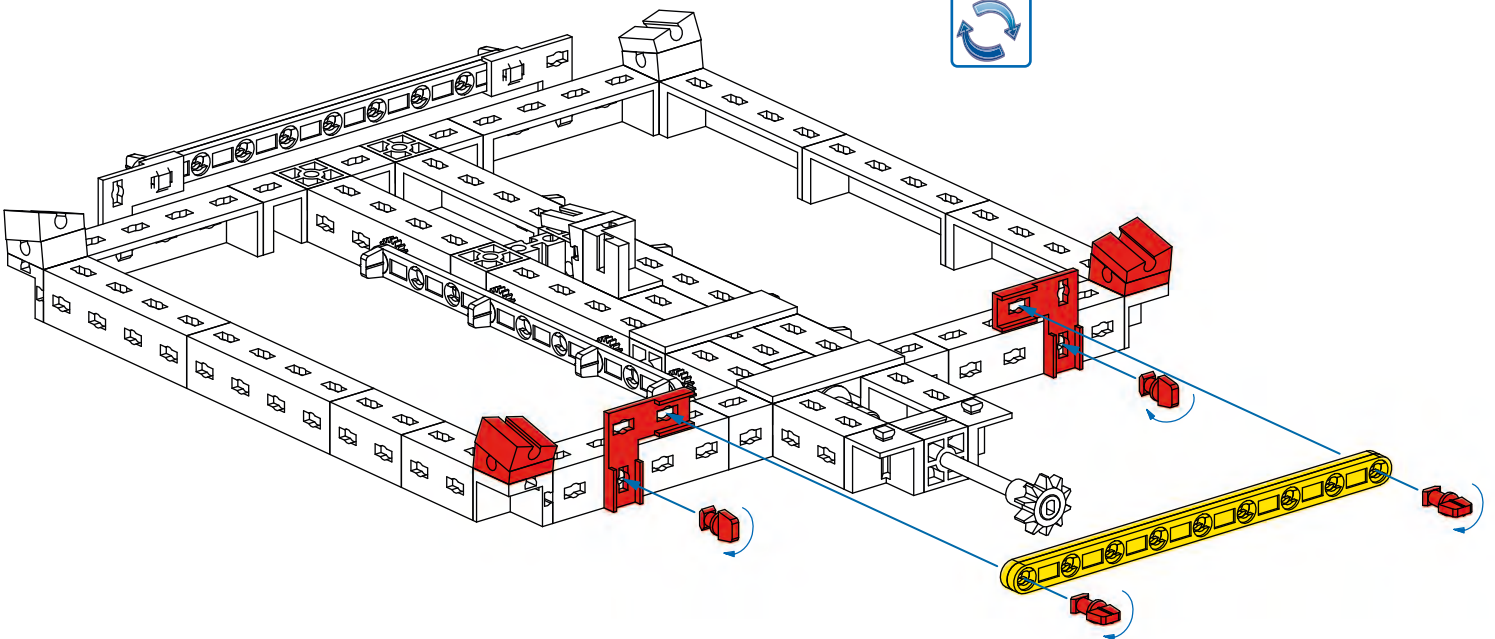
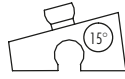
15° 4 x

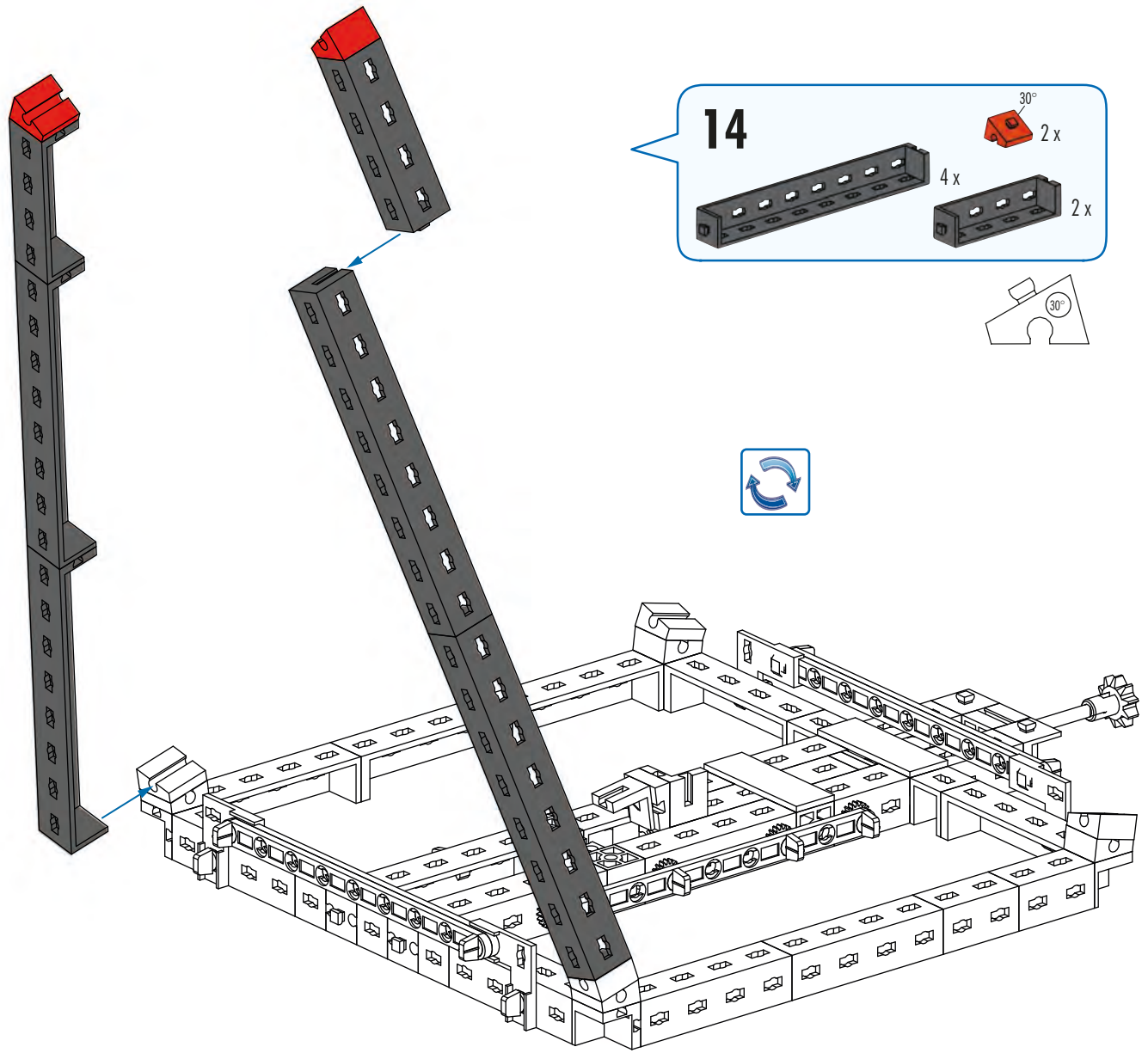
6 2 x

4 2 x

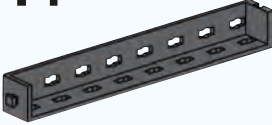
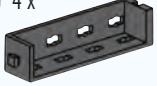

120 2 x

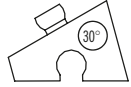
2 x




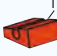


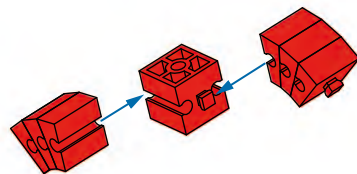
14

4 x  2 x  2 x 



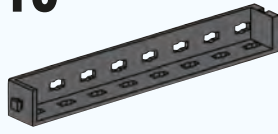
15

2 x  12 x 



2x

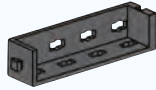
16



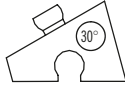
4 x



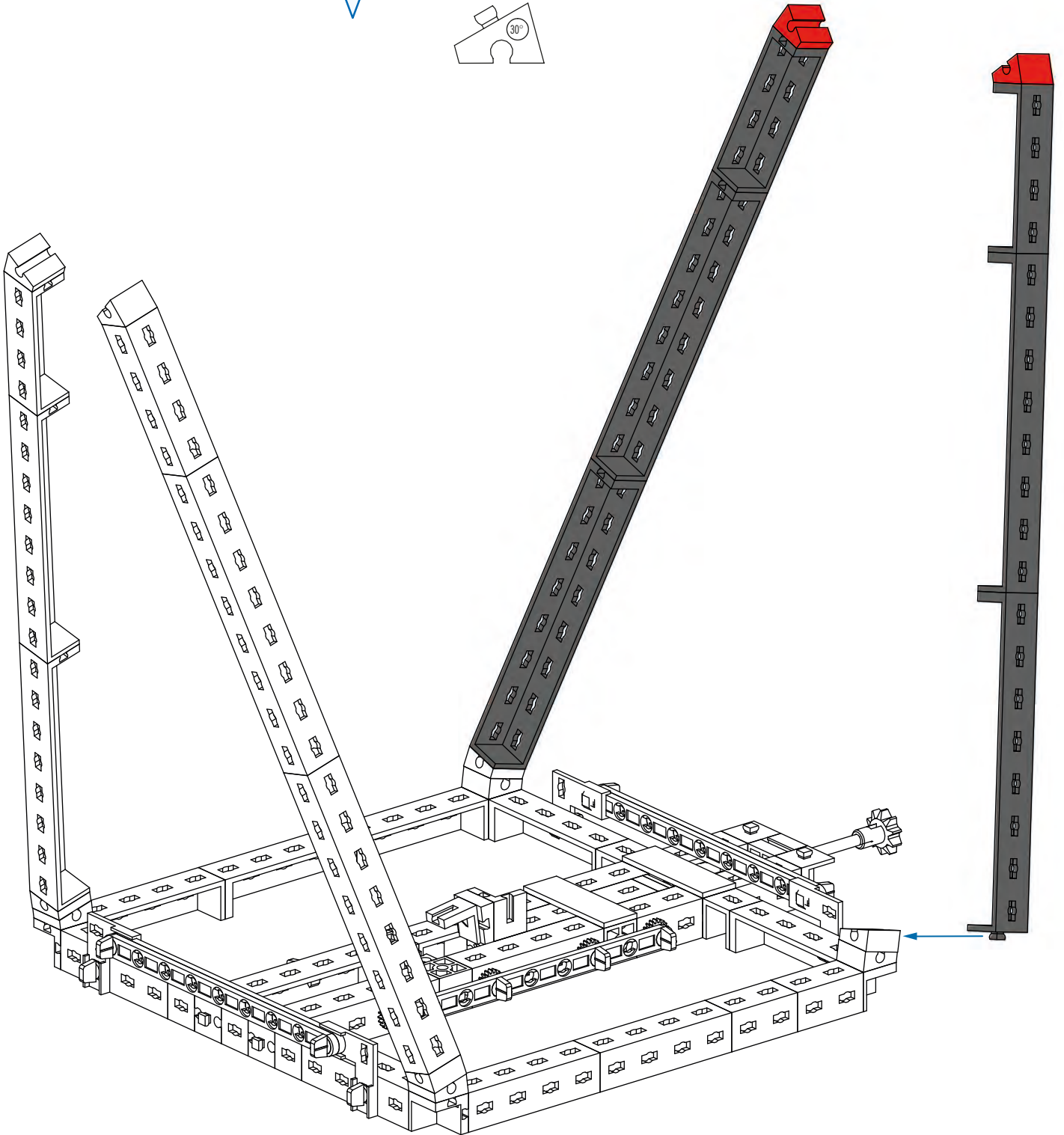
2 x




2 x

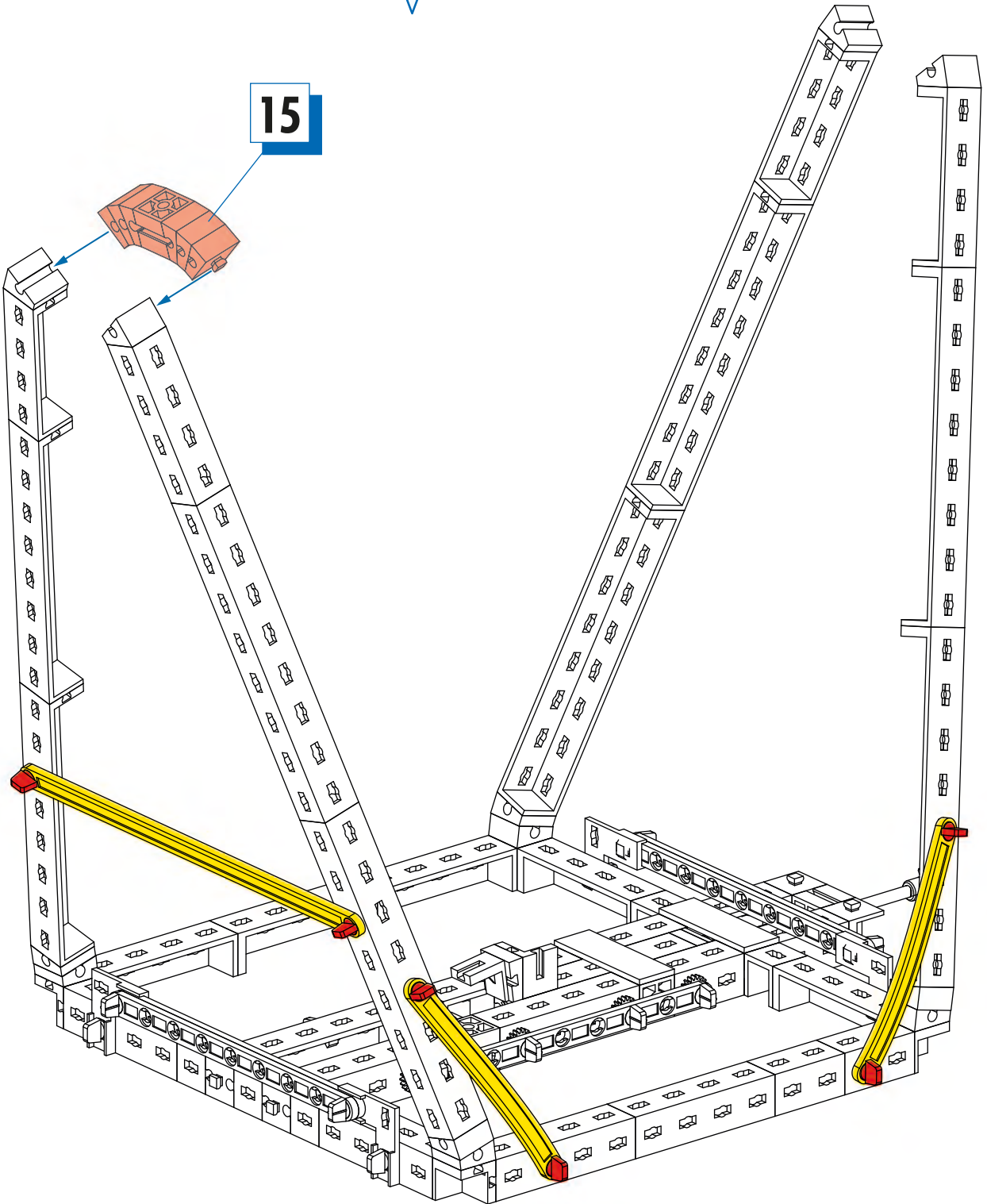


30°



17  6 x
169,6 1 x
84,8 2 x

15



18

^A
6 x



1 x

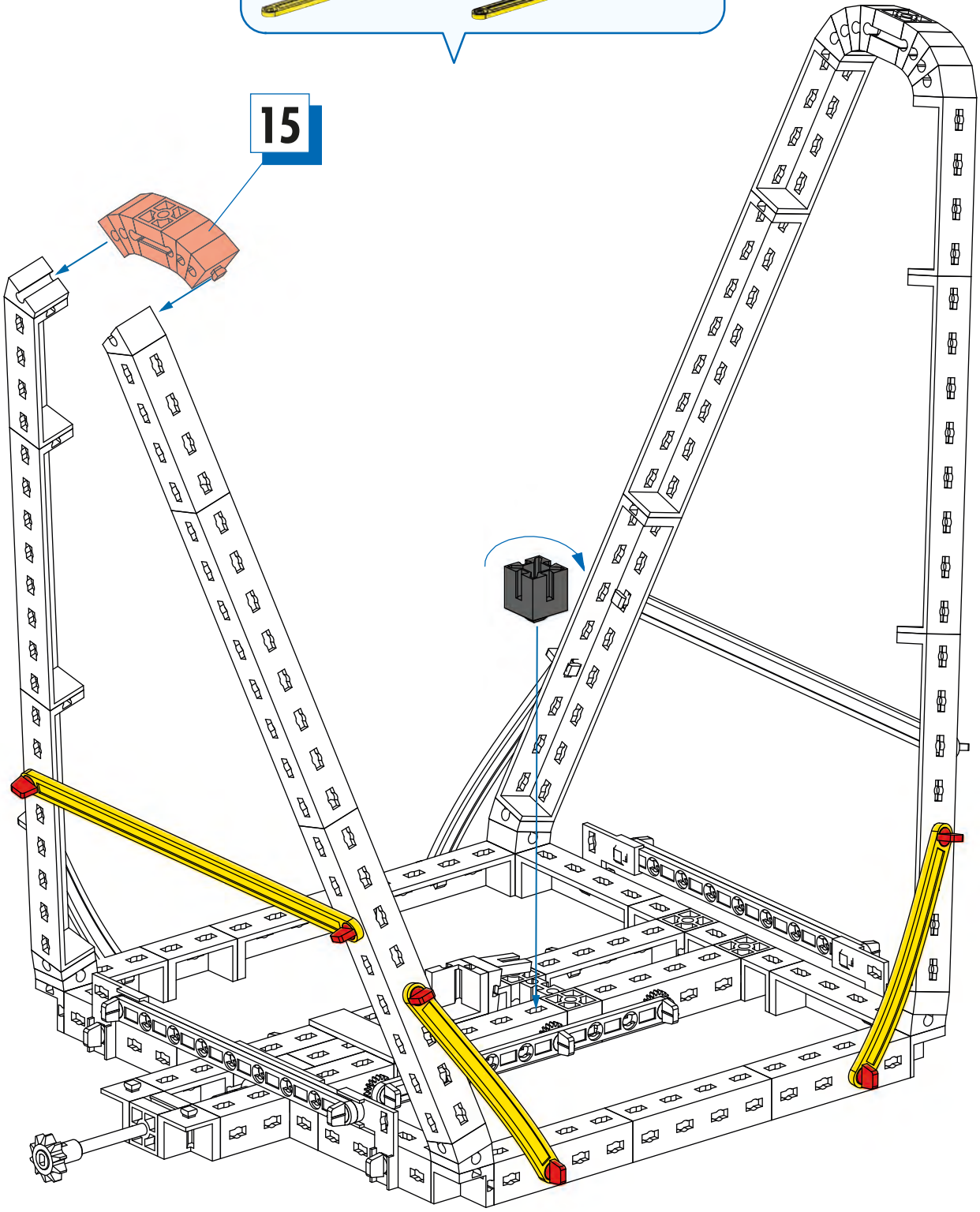
1 x

84,8

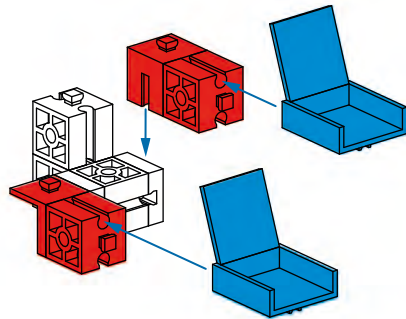
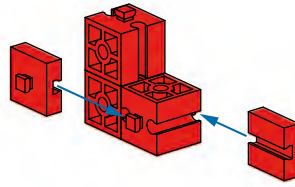
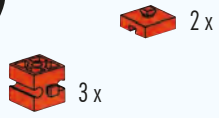


2 x

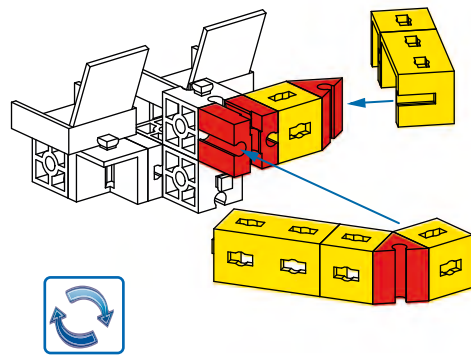
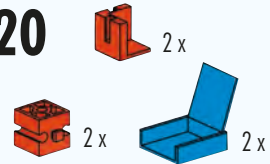
15



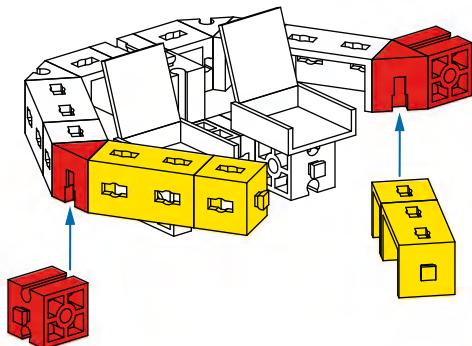
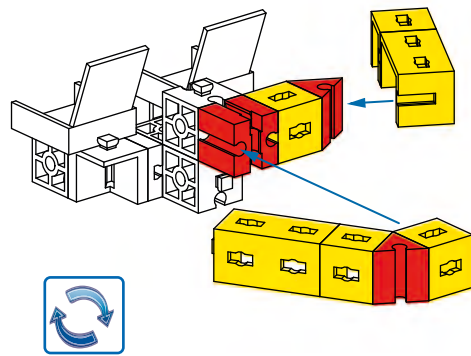
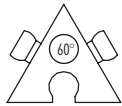
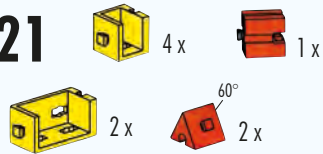
19



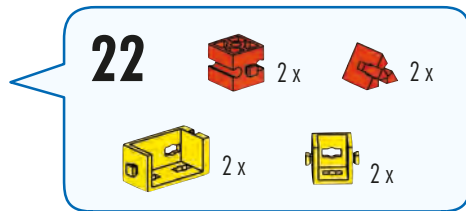
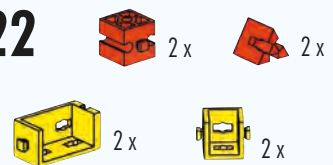
20







21

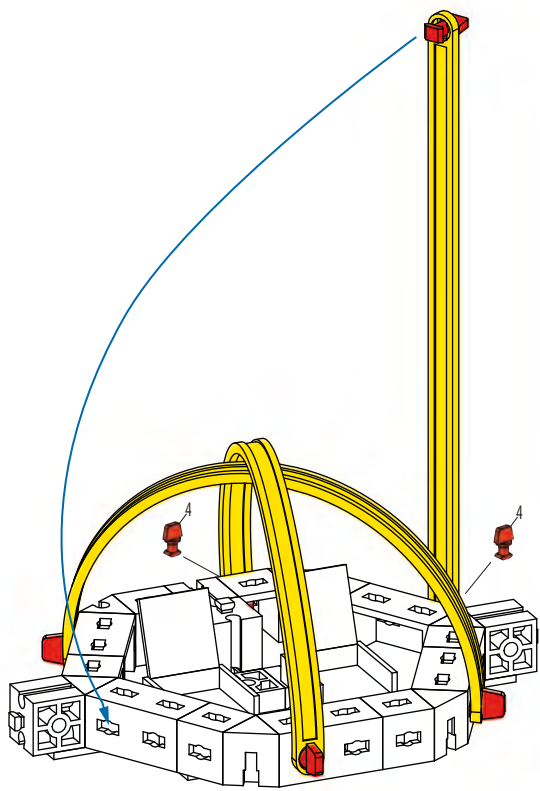
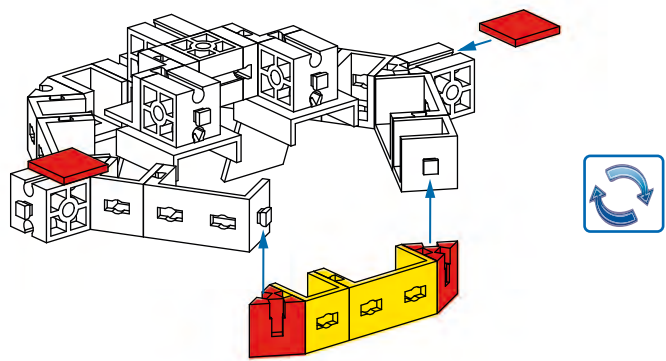


22


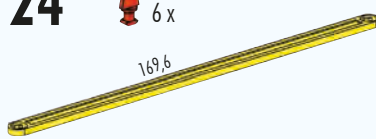


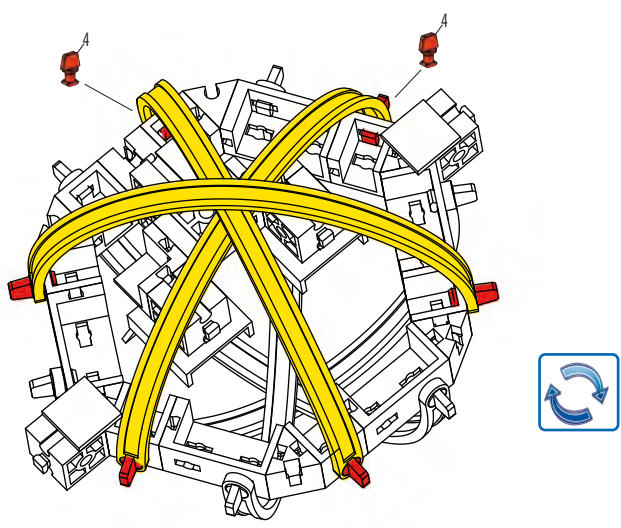
23

 1x
  2x
 1x
  2x


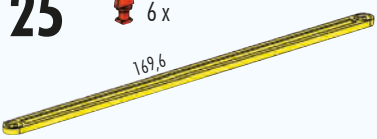


24

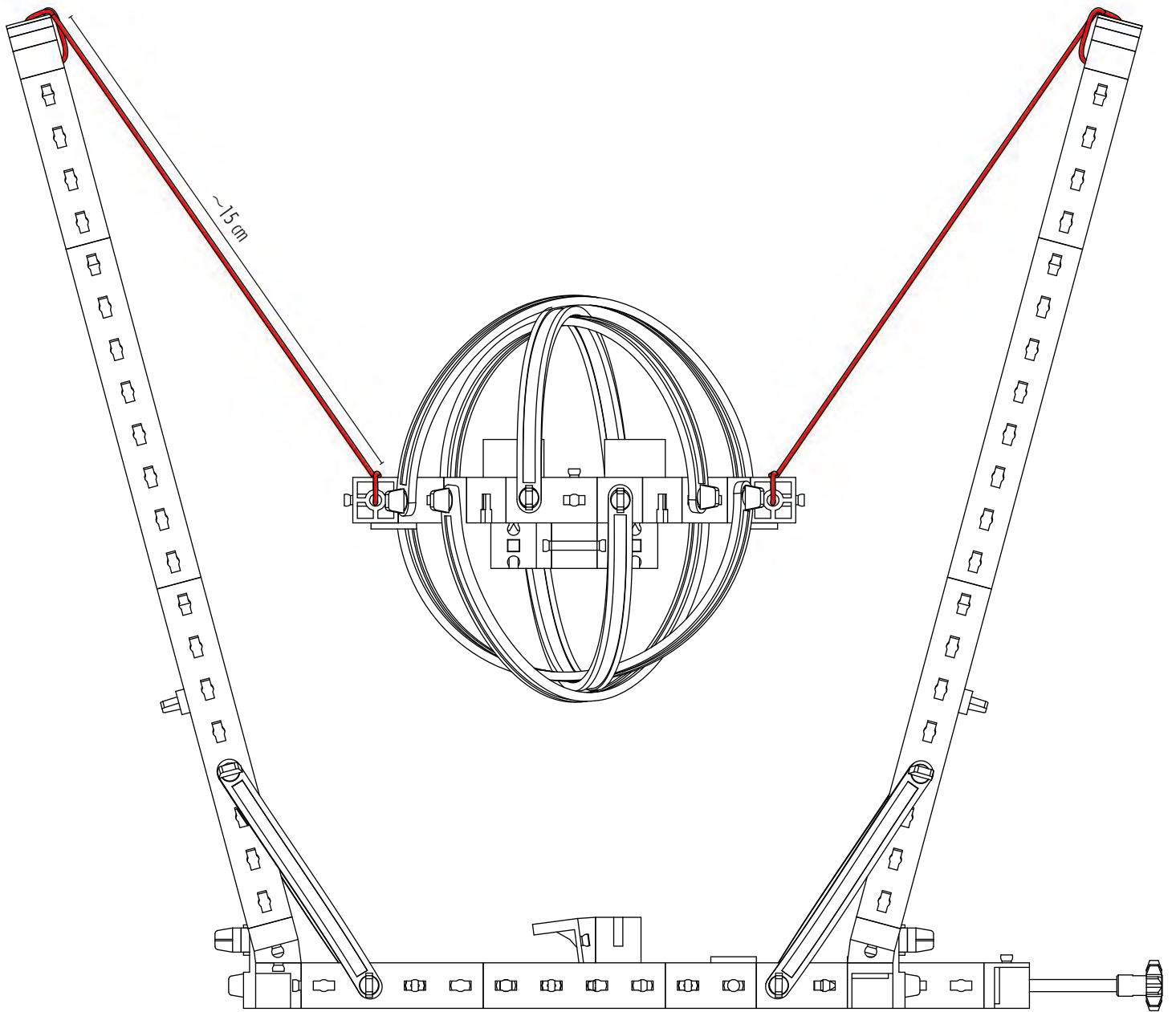
 6x
 3x

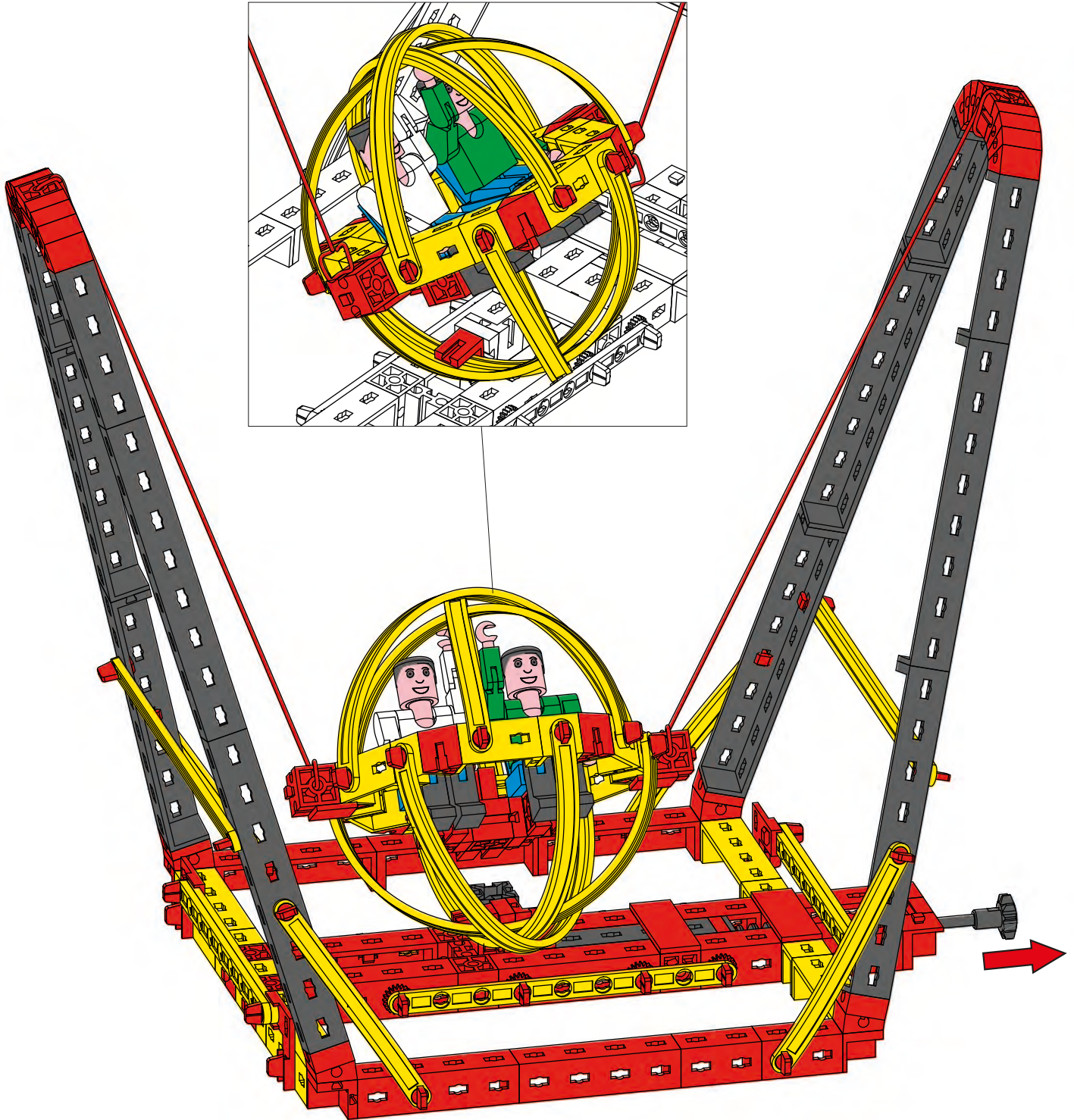


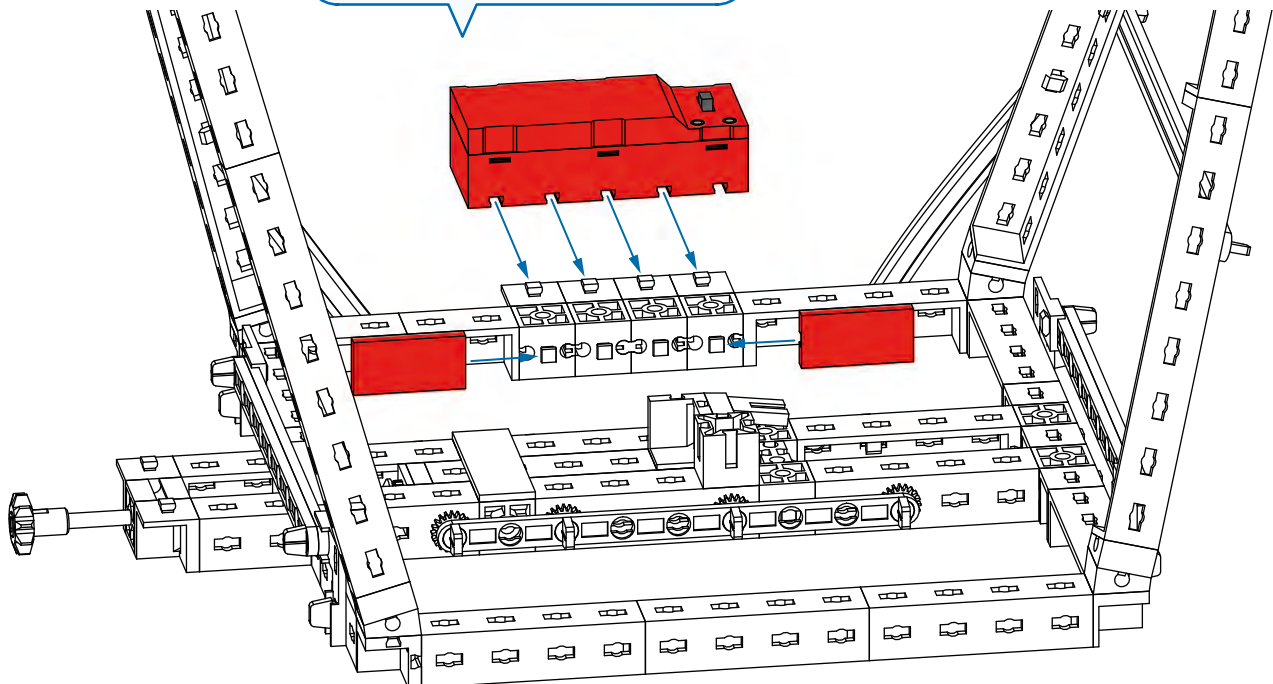
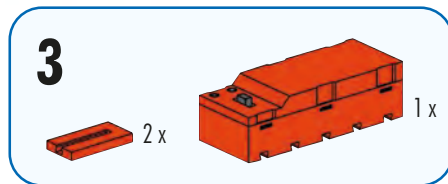
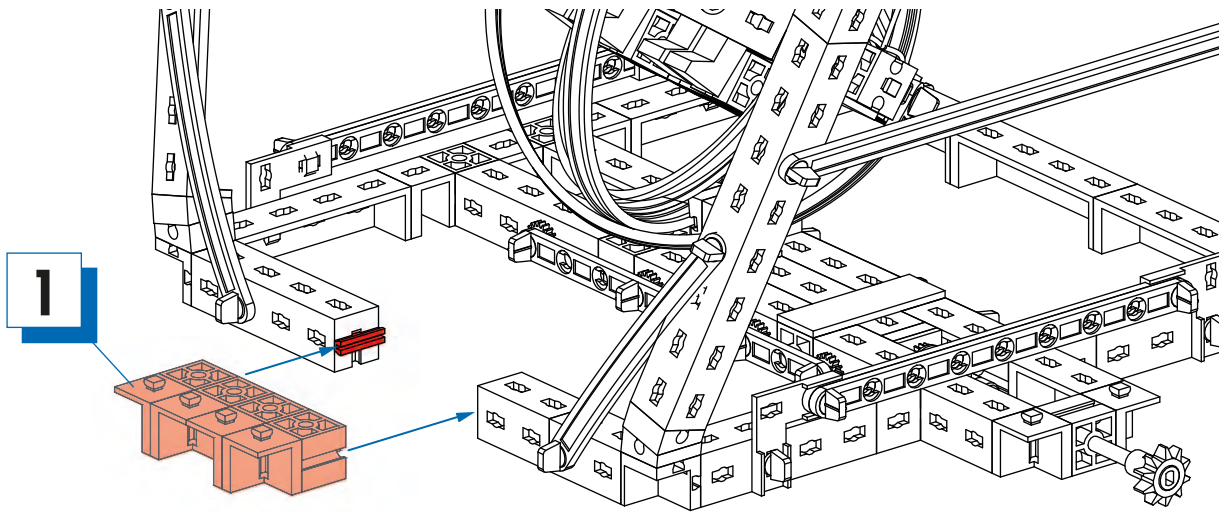
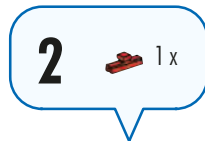
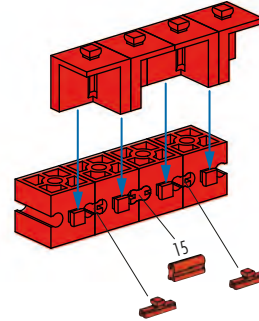
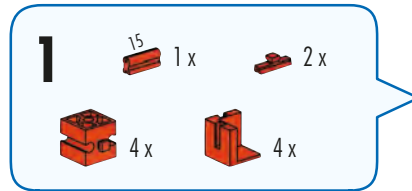
25

 6x
 3x

26







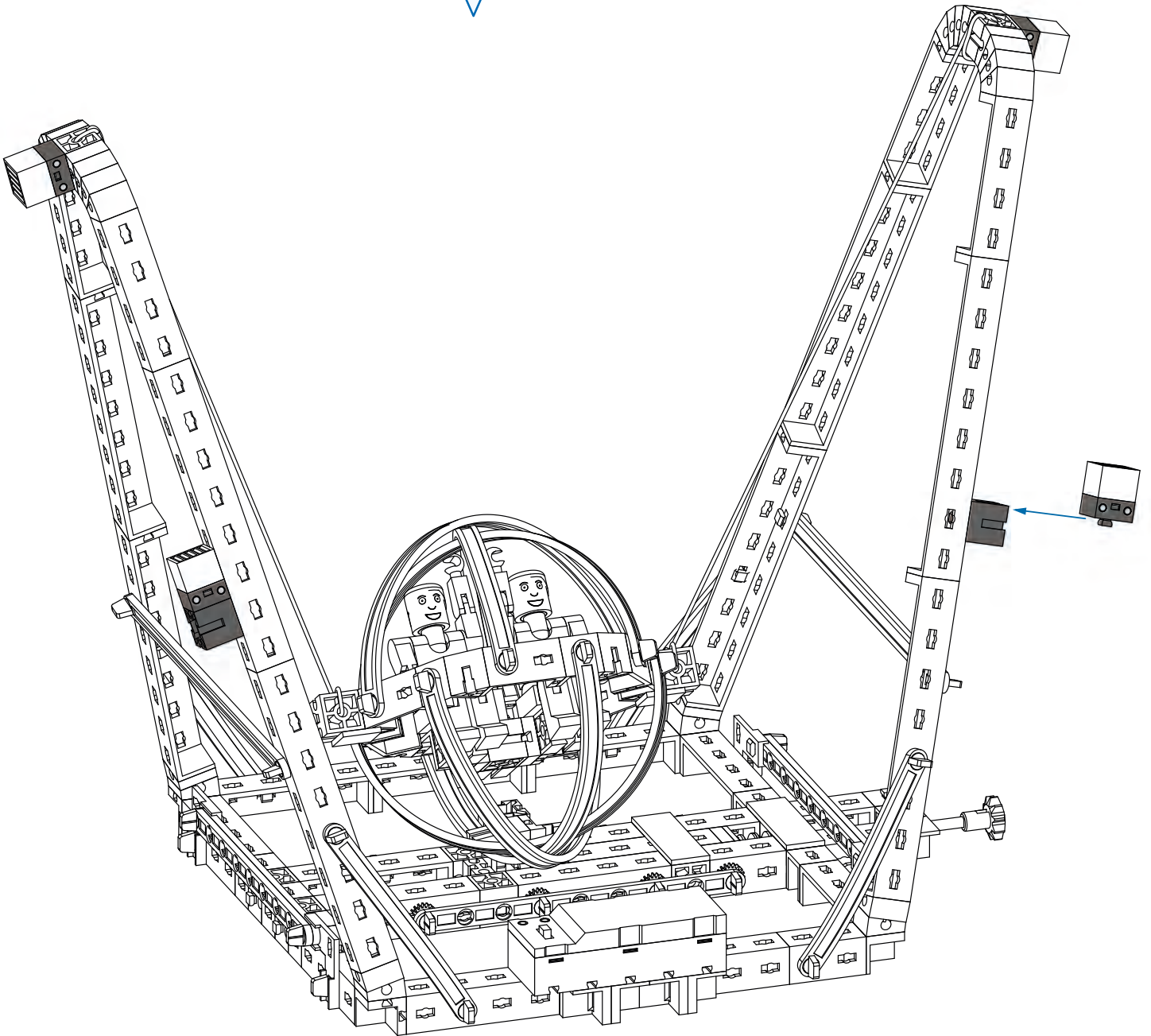
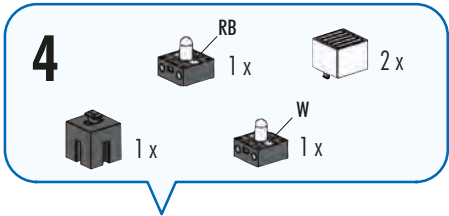
4

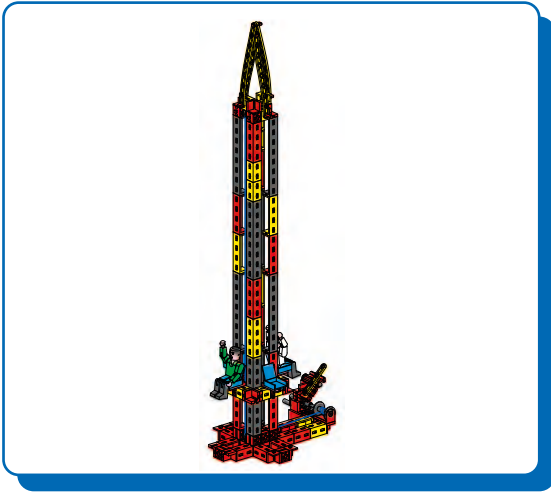
RB 1x

W 1x

1x

2x





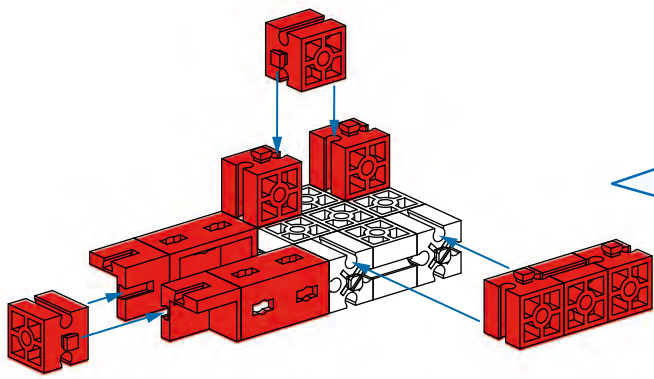
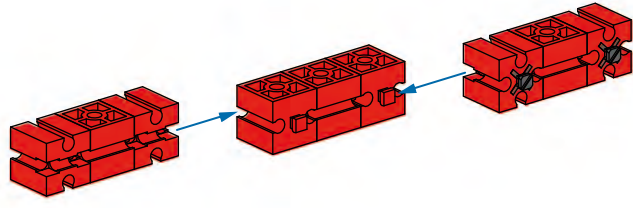





Free-Fall-Tower
Free-Fall-Tower
Free-Fall-Tower

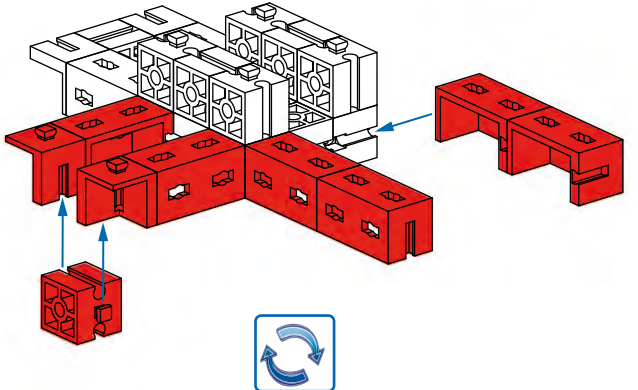
Free-Fall-Tower
Free-Fall-Tower
Free-Fall-Tower

Free-Fall-Tower
Свободно
падающая башня
自由落体塔

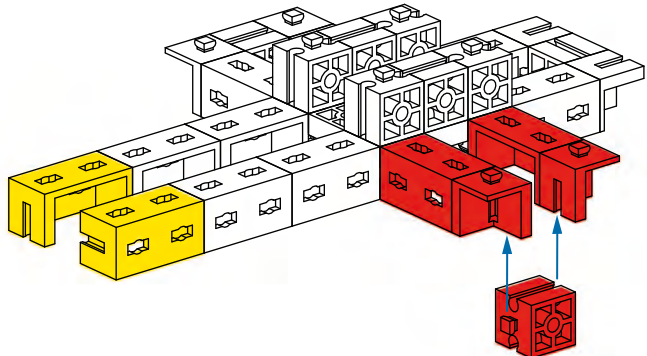
1  4x  5x







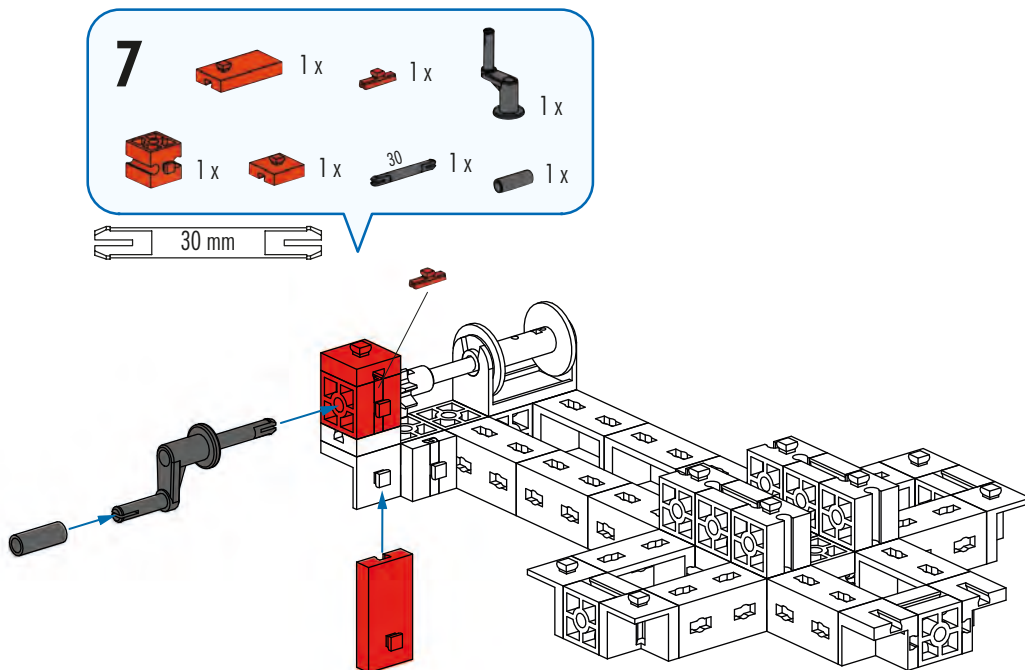
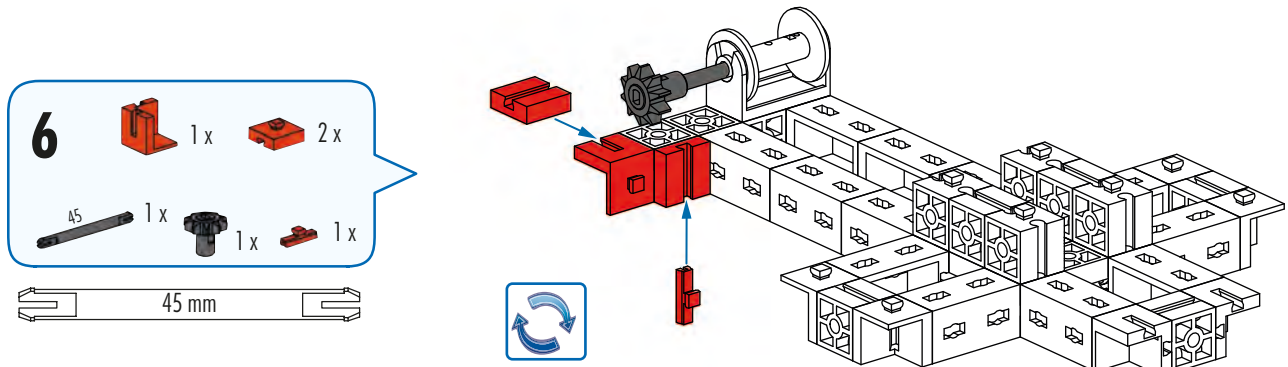
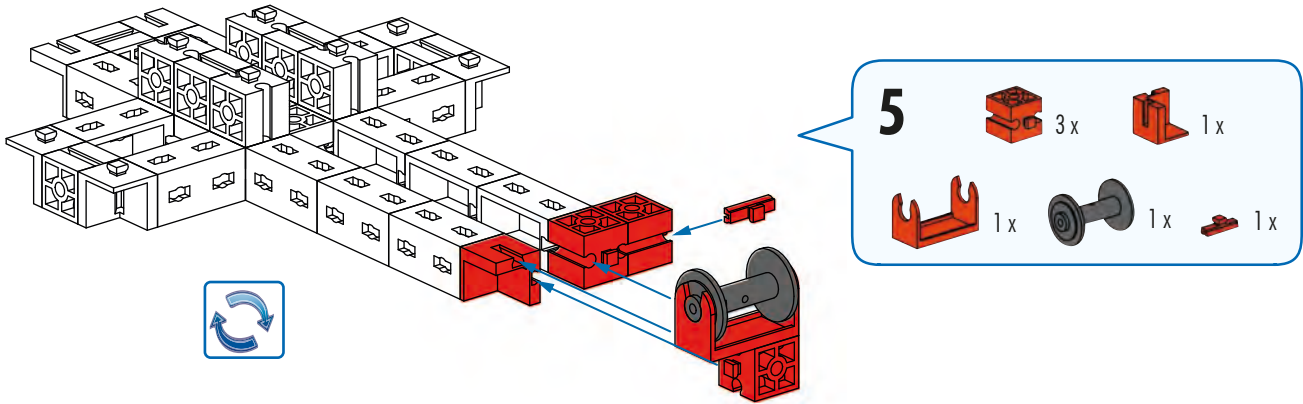
2  2x  7x  2x



3  6x  1x  2x

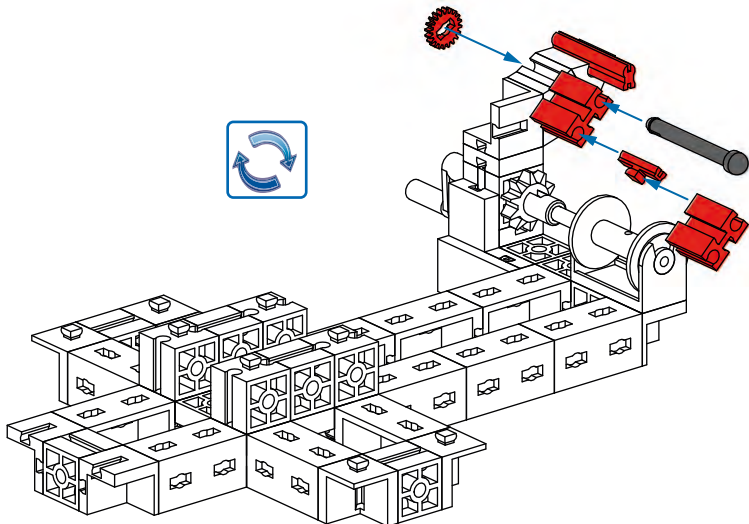
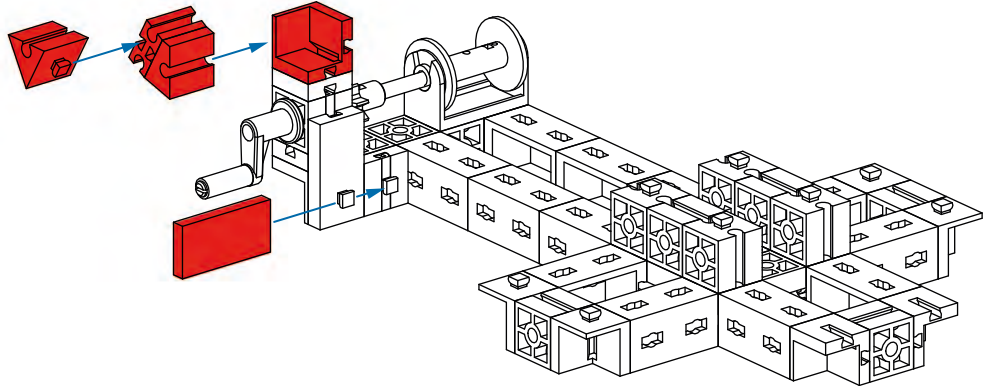


4  1x  2x
 2x  2x



8

- 1 x [Red 1x3 Technic Beam]
- 1 x [Red 60° Technic Wedge]
- 1 x [Red L-shaped Technic Connector]
- 1 x [Red 1x3 Technic Beam]
- 1 x [Red 30° Technic Wedge]



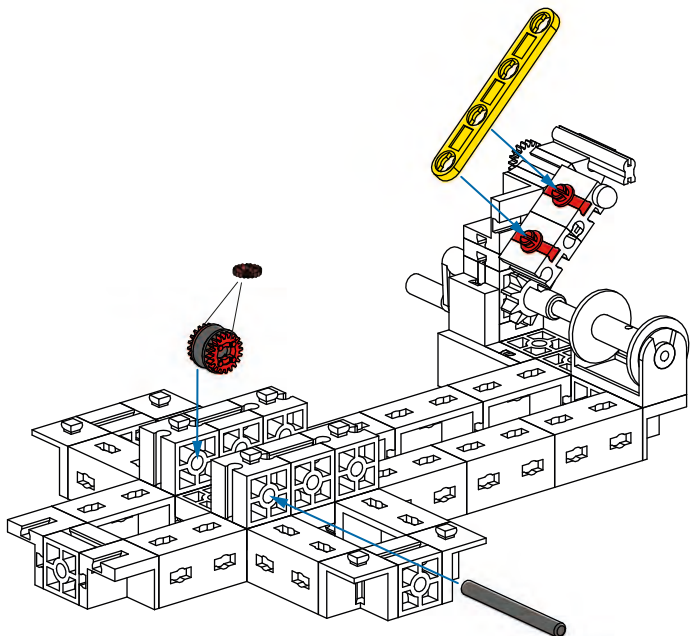
9

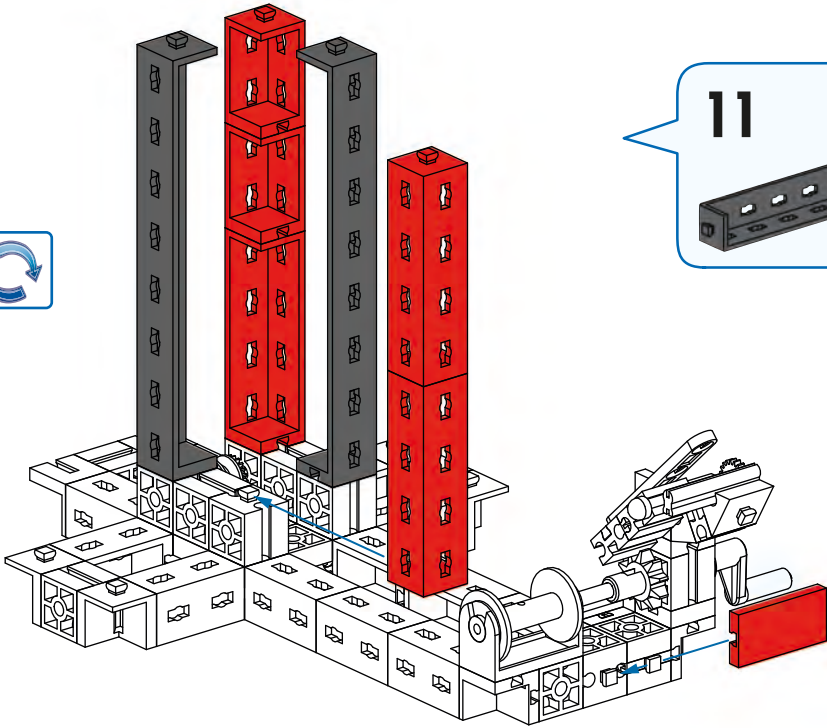
- 1 x [Red 30-length Technic Beam]
- 1 x [Black Technic Pin]
- 2 x [Red 1x3 Technic Beam]
- 1 x [Red L-shaped Technic Connector]
- 1 x [Grey Technic Axle]

10

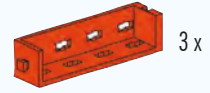
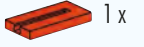
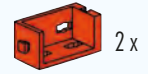
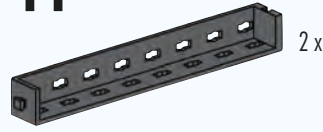
- 1 x [Black Technic Pin]
- 2 x [Black Technic Pin]
- 2 x [Red L-shaped Technic Connector]
- 1 x [Yellow 45-length Level]
- 1 x [Grey 40-length Axle]

40 mm

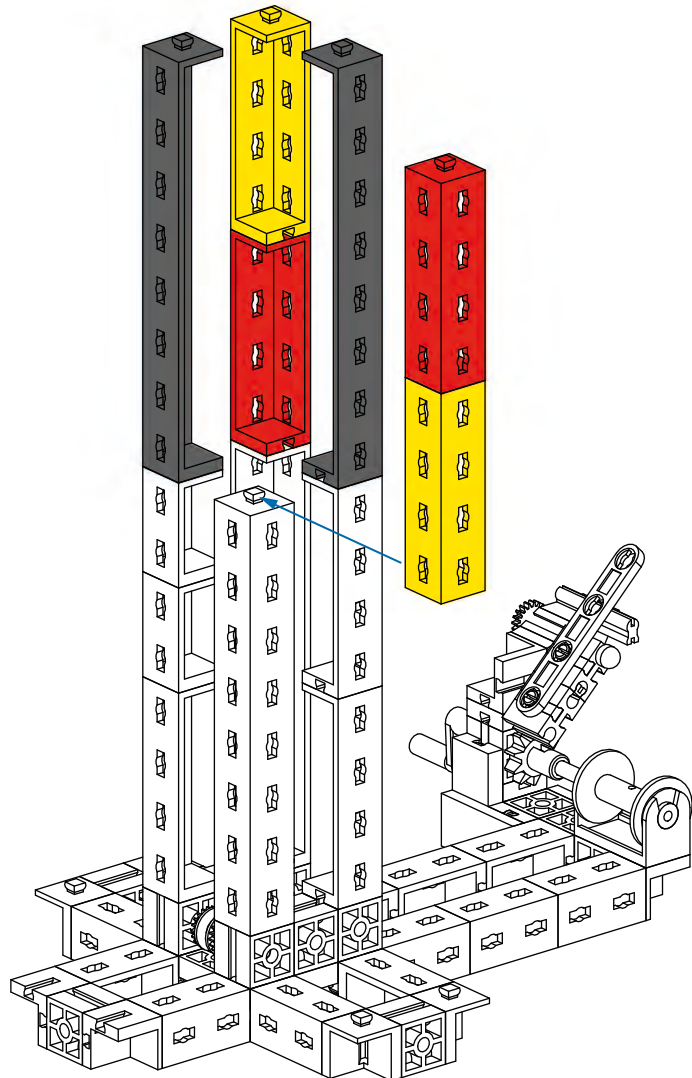
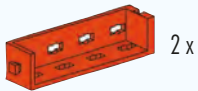
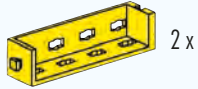
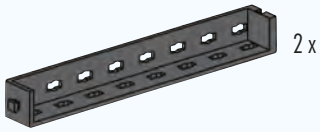


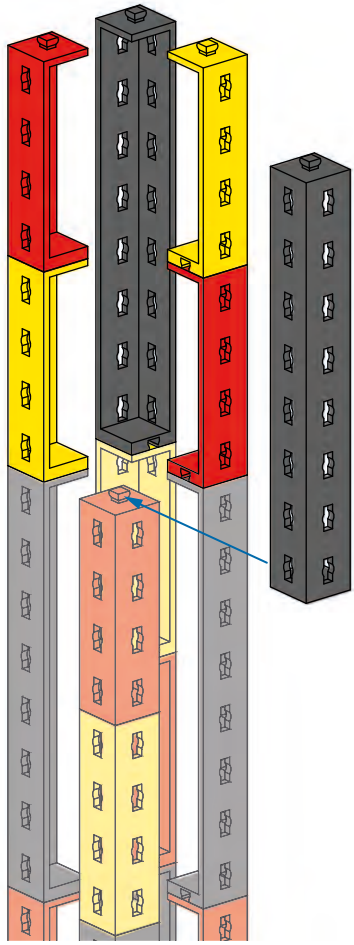


11



12





13

2x

2x

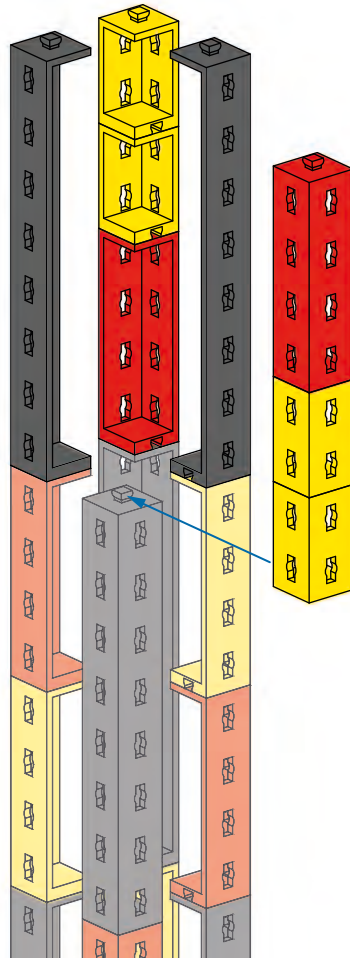
2x

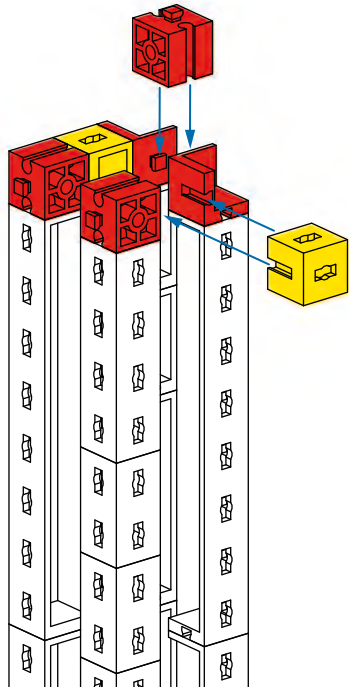
14

2x

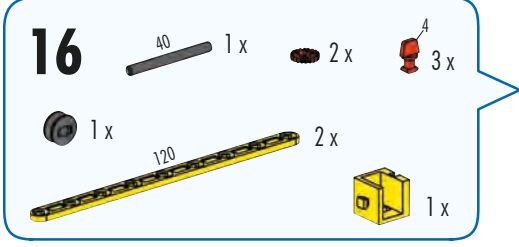
4x

2x

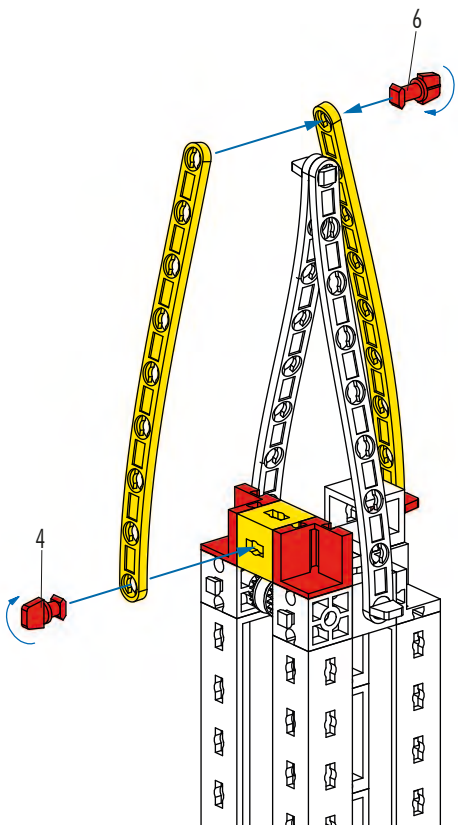
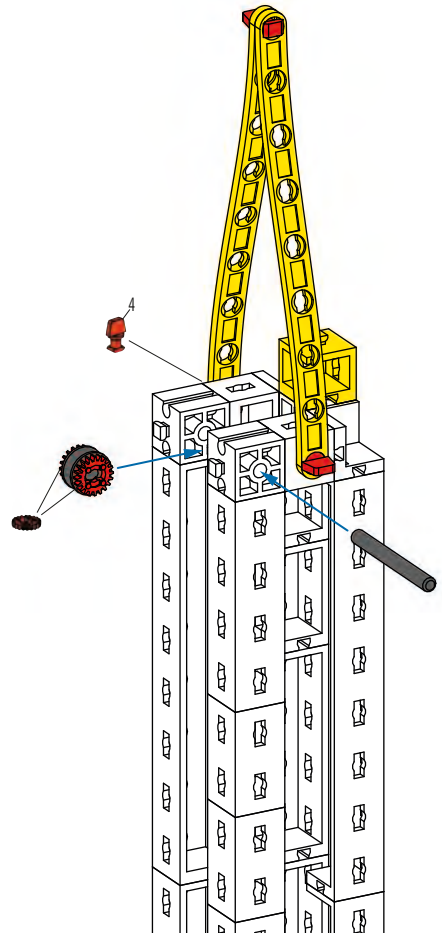




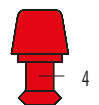
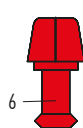
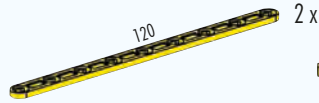
15



40 mm



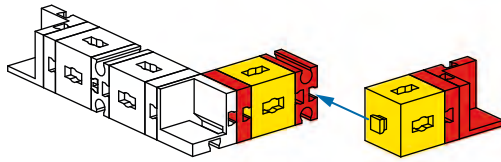
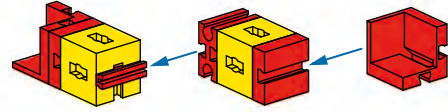
17



18

1x 1x

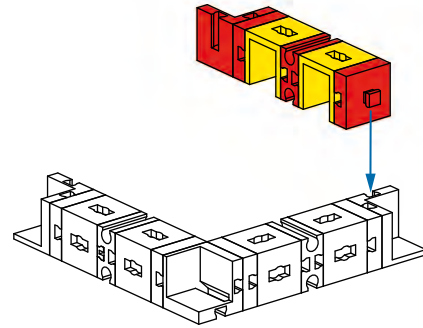
2x 2x 2x



19

2x 1x

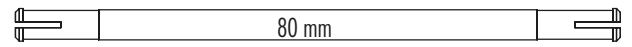
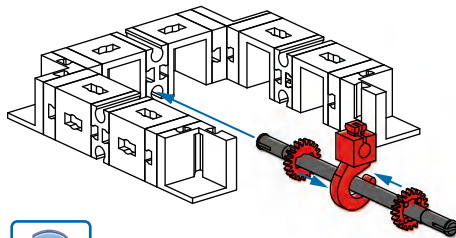
1x 2x



20

2x 1x

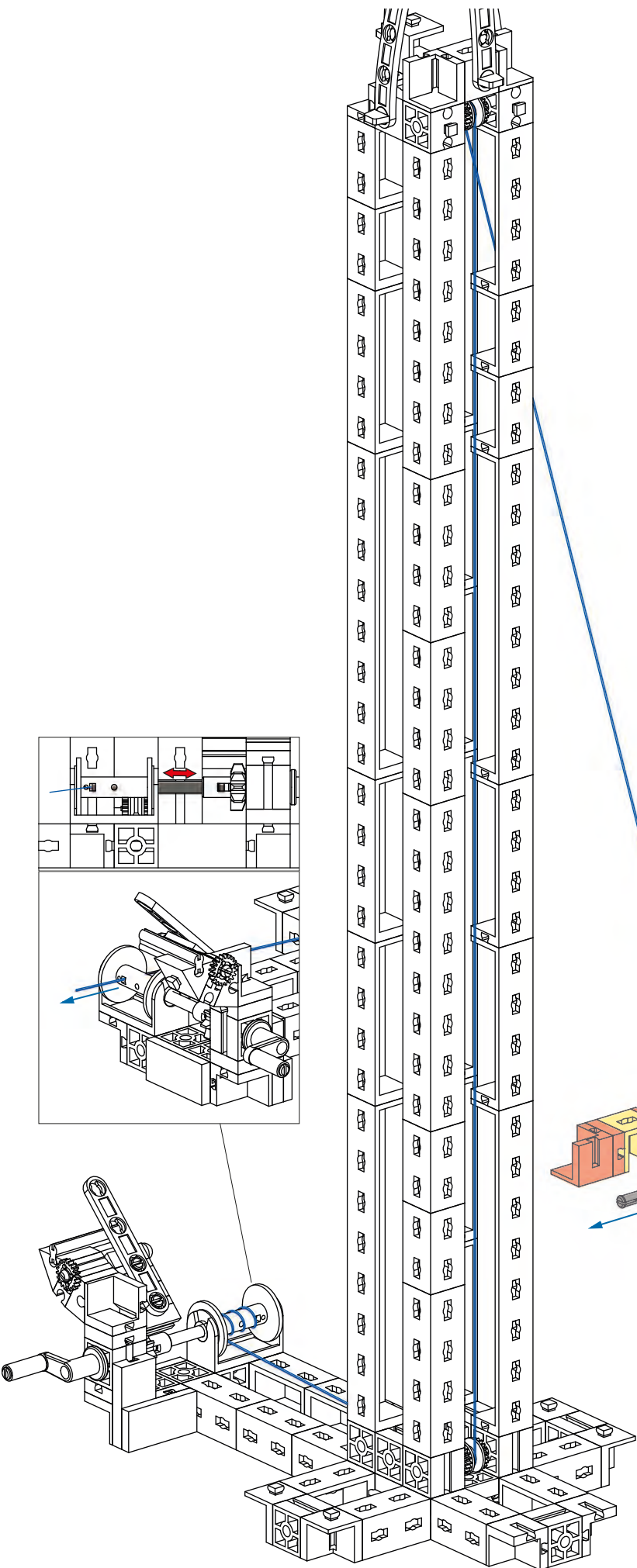
1x 2x



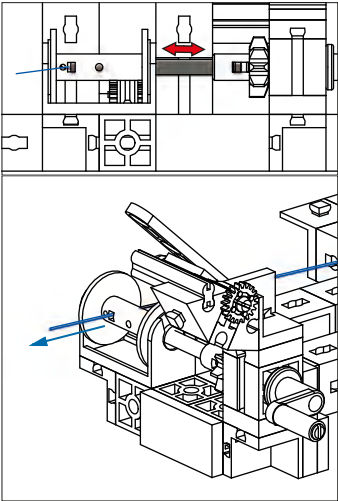
21

2x 1x

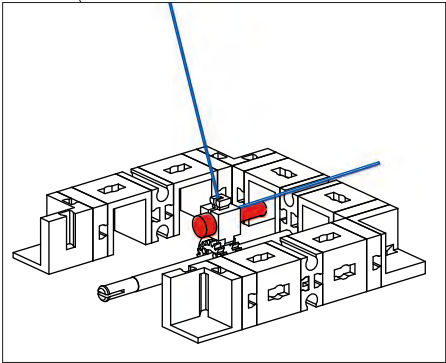
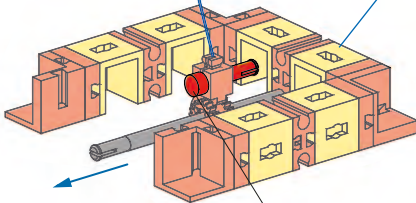
80 1x



22  1x  1x

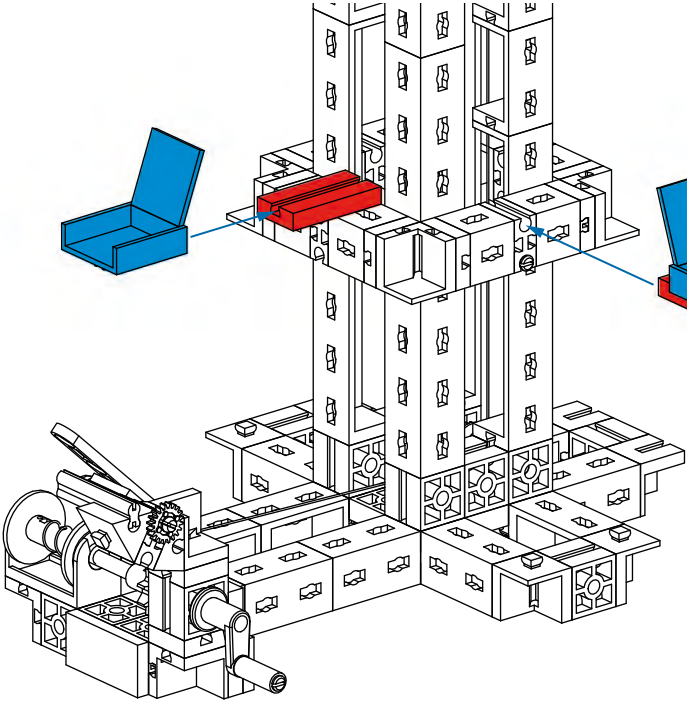
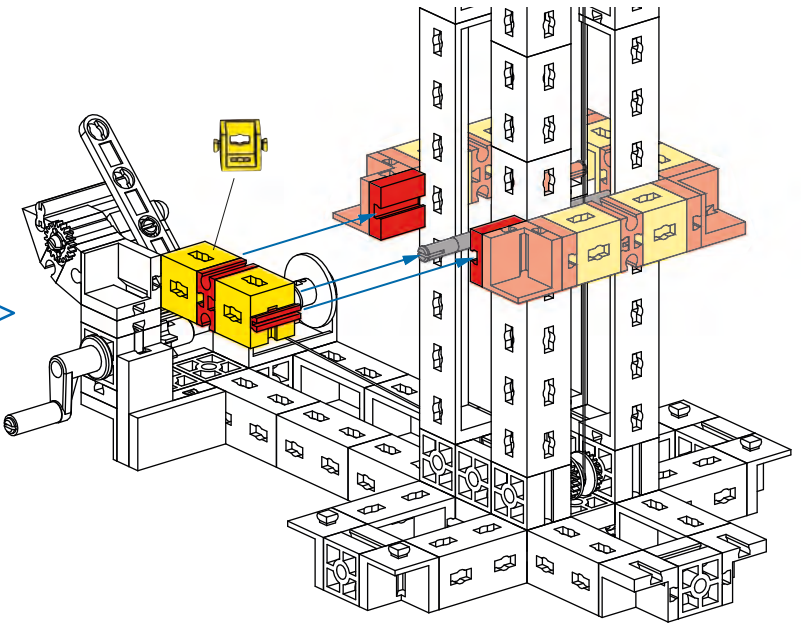


21



23

- 1x
- 1x
- 1x
- 1x
- 2x



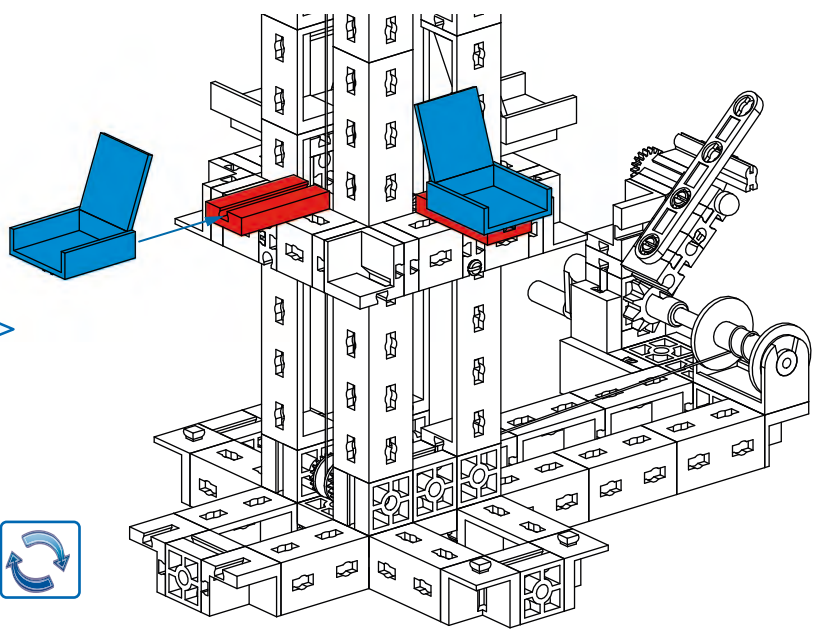
24

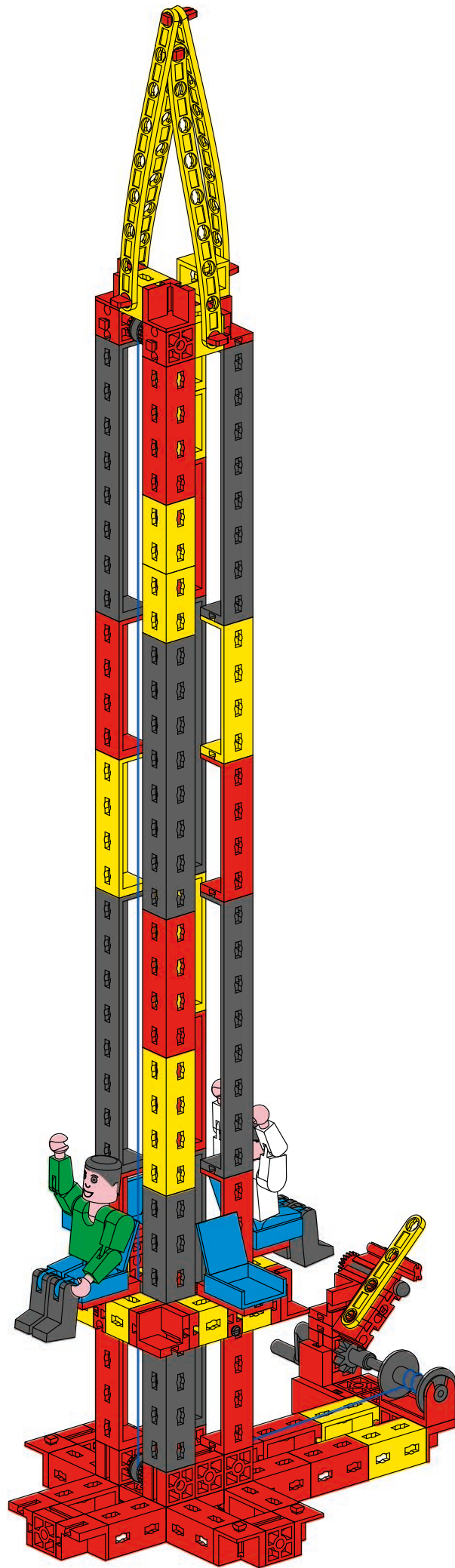
- 2x
- 2x



25

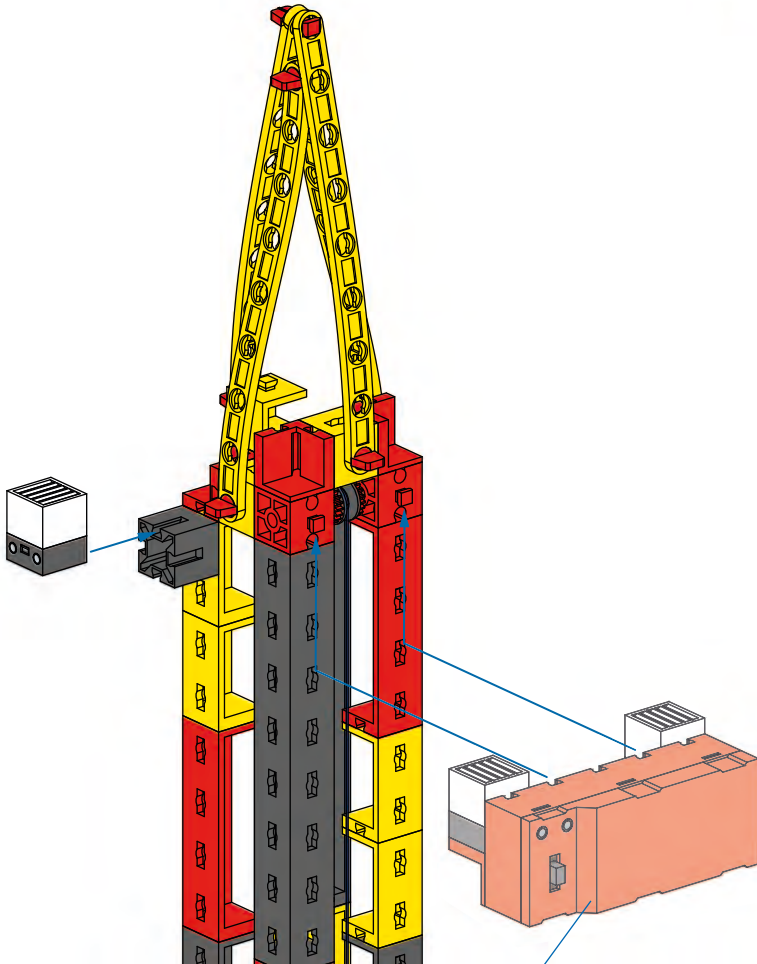
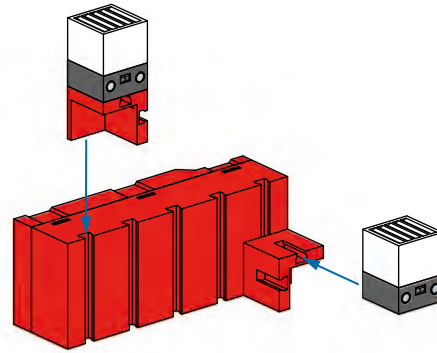
- 2x
- 2x



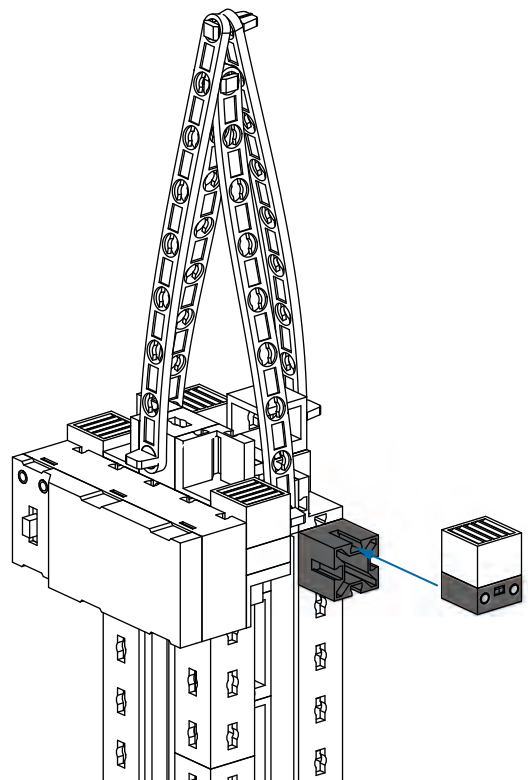


1

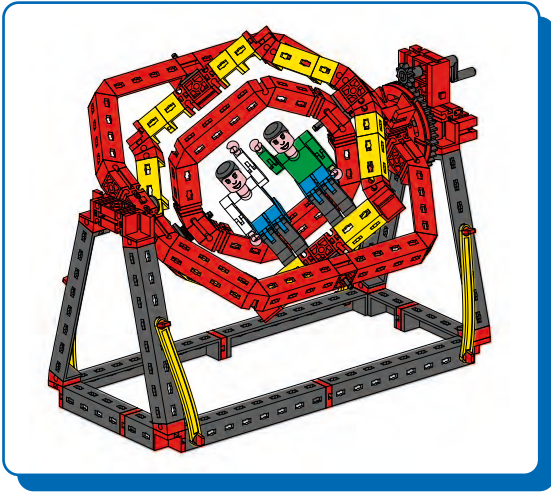
2



3



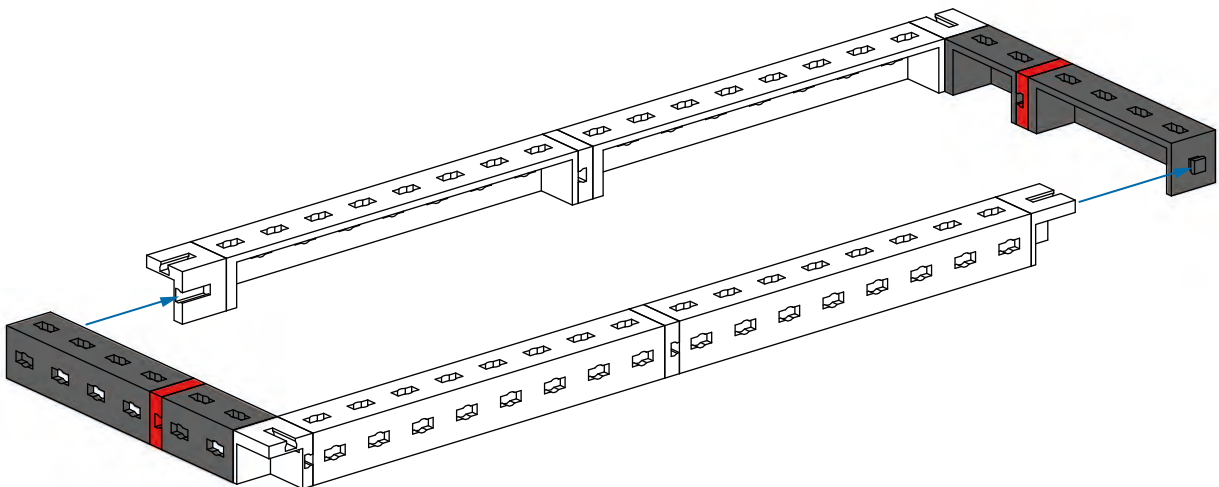
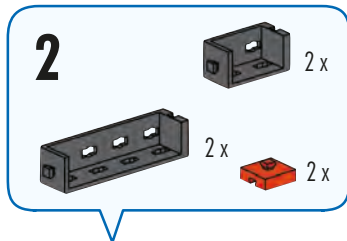
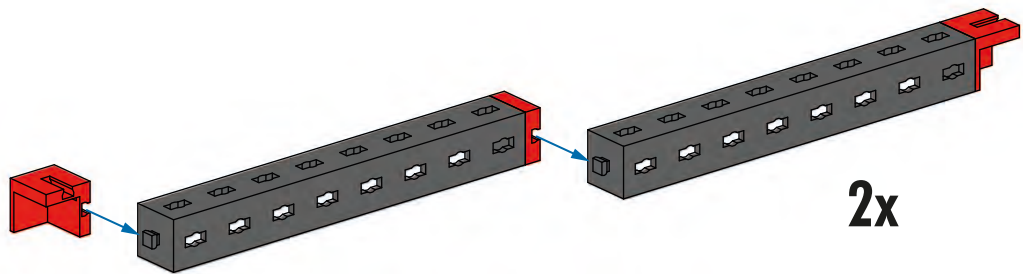
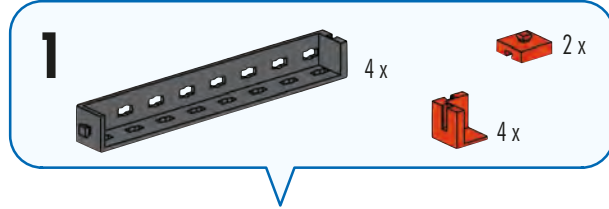
1



Gyrospin
Gyrospin
Gyrospin

Gyrospin
Gyrospin
Gyrospin

Gyrospin
Гироспин
陀螺仪

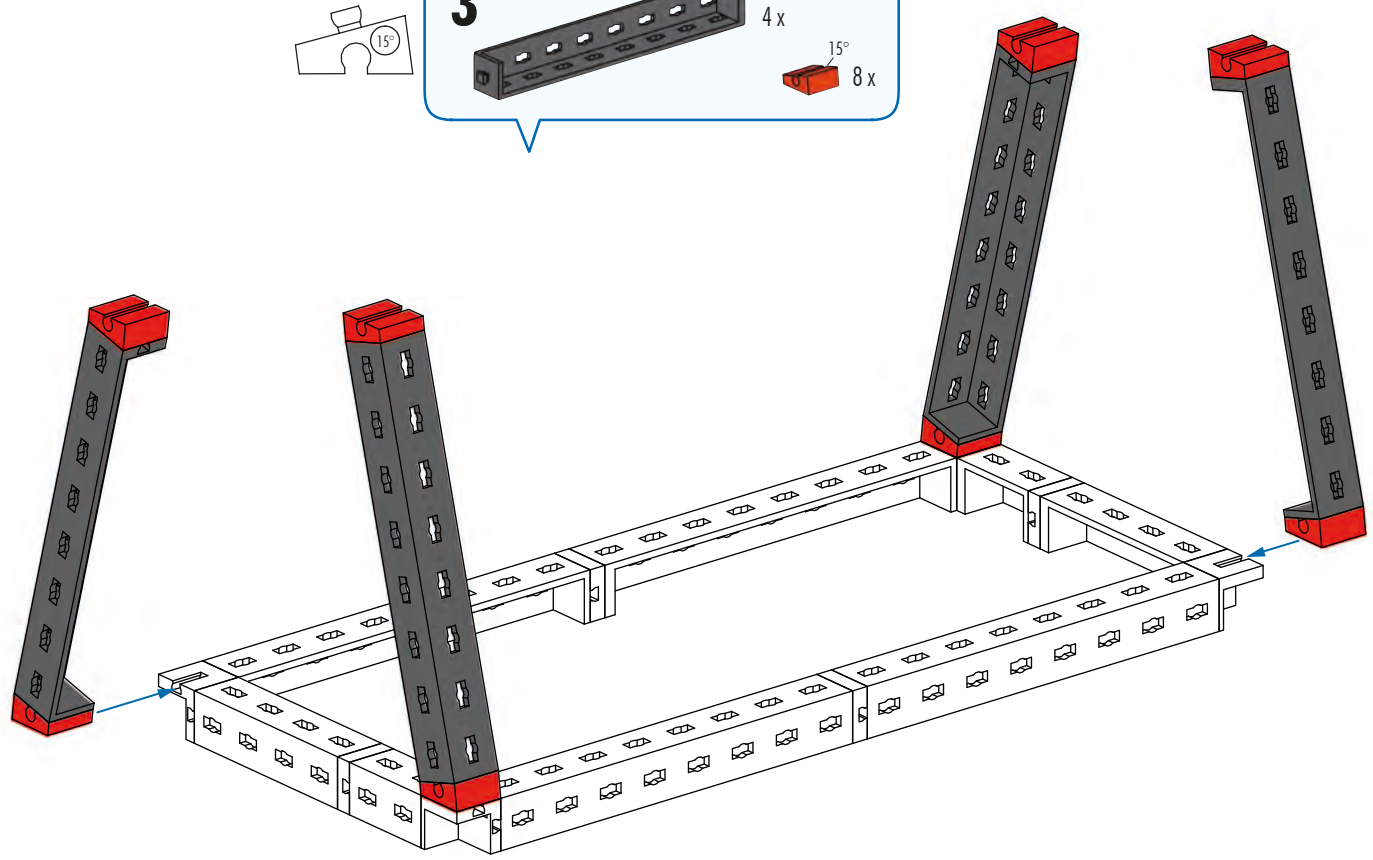


3

4 x

15°

8 x



4

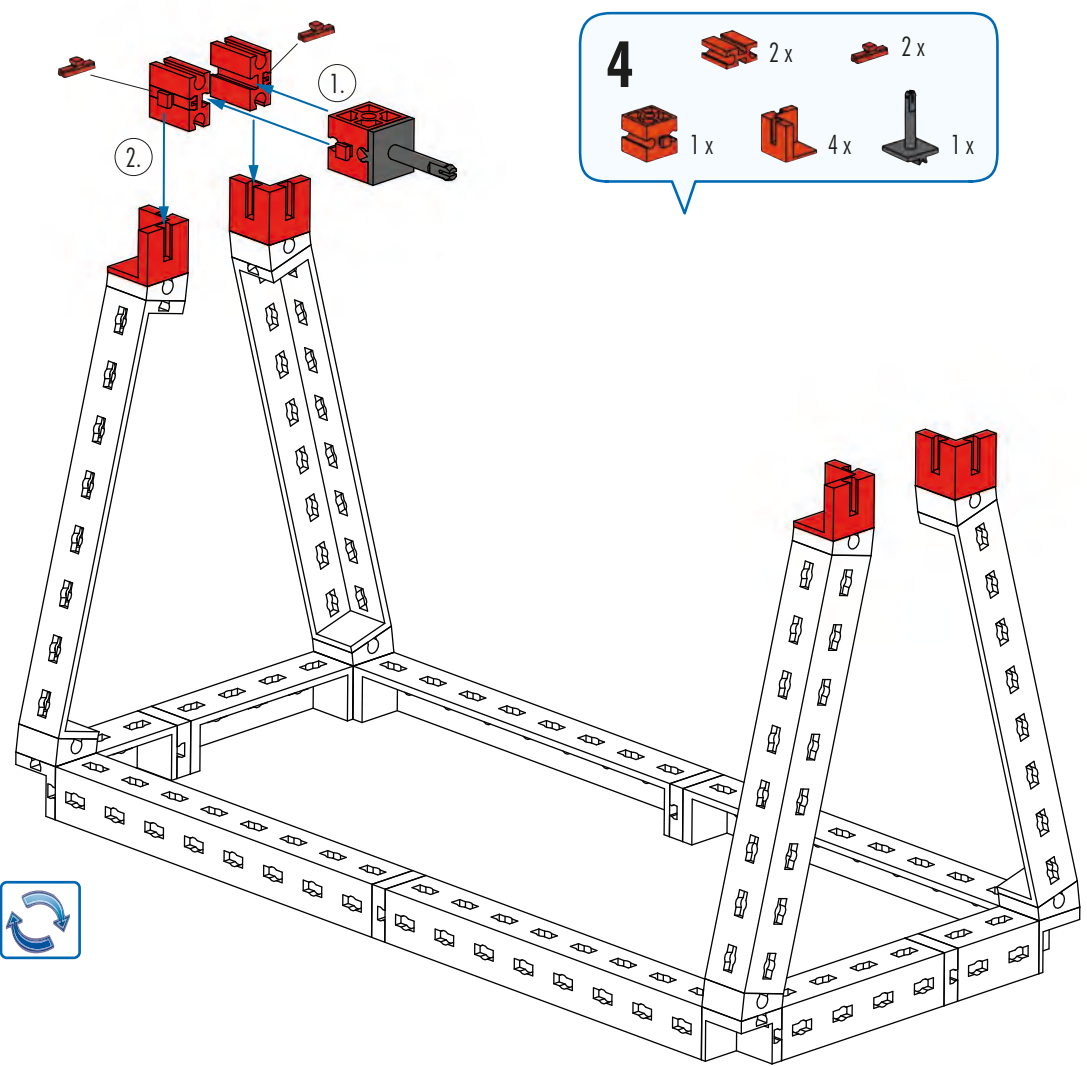
2 x

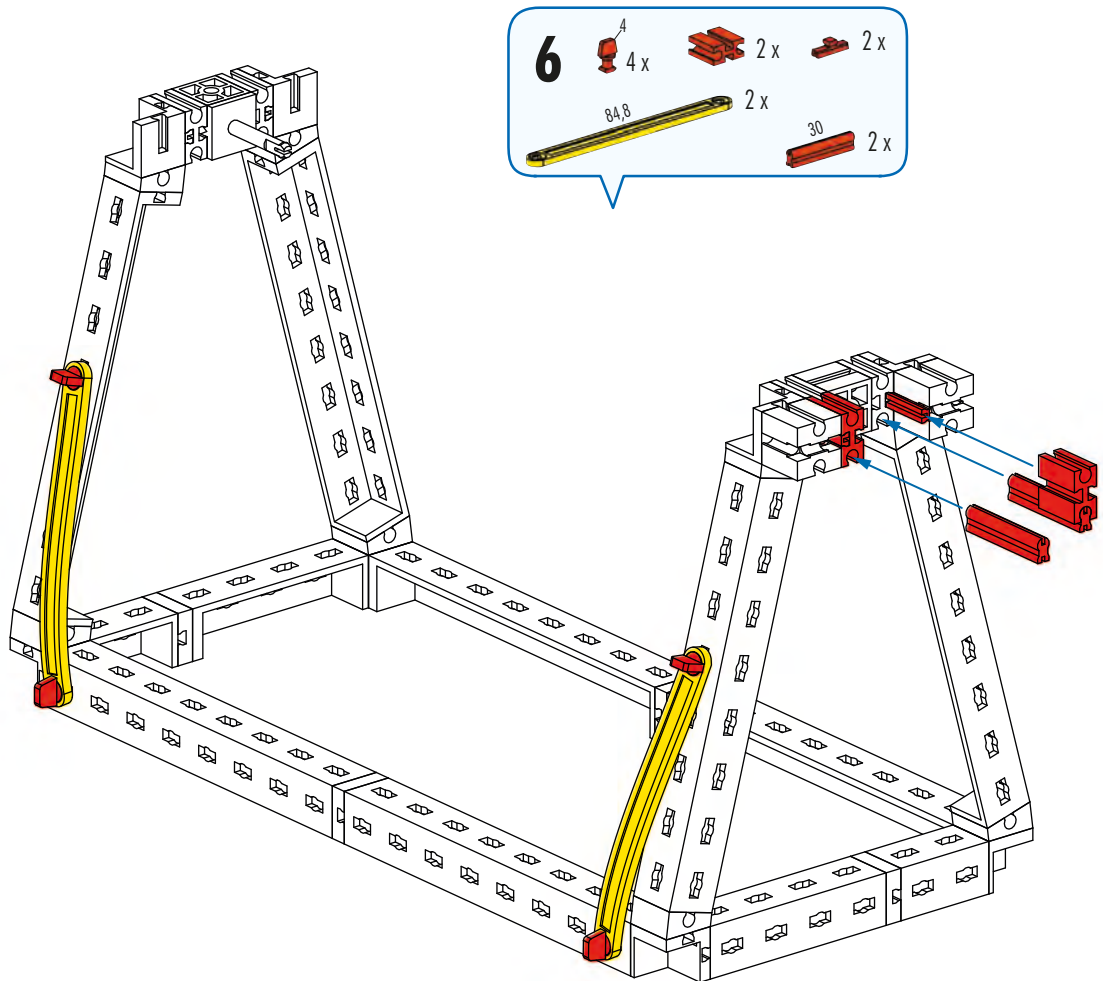
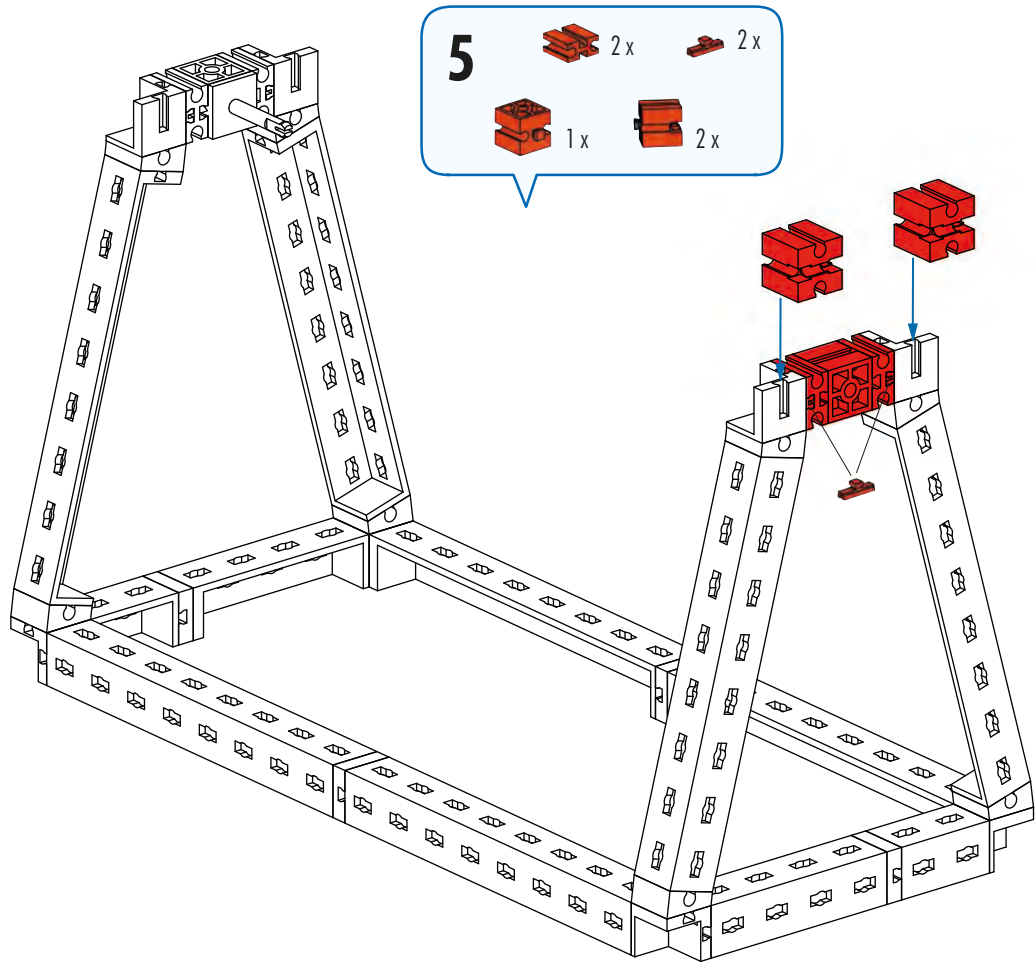
2 x

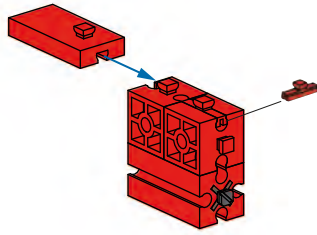
1 x

4 x

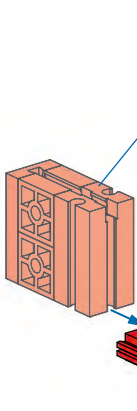
1 x



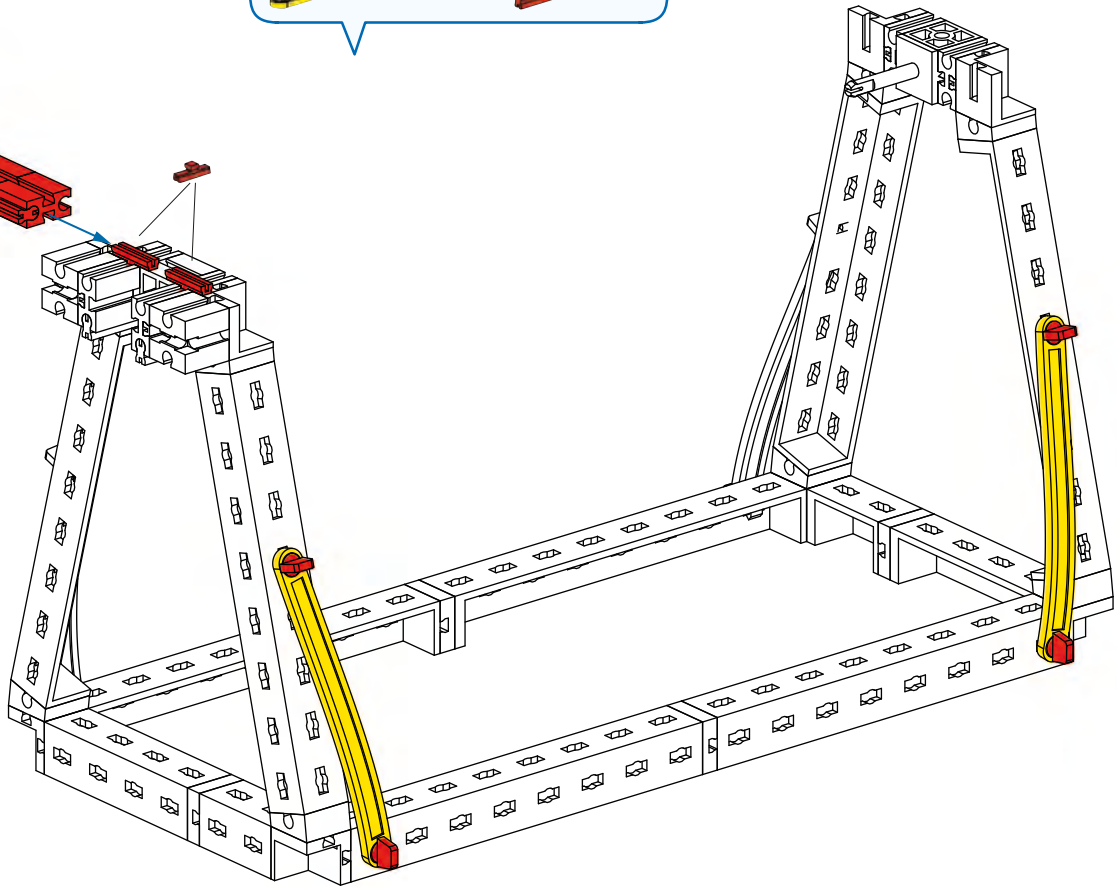




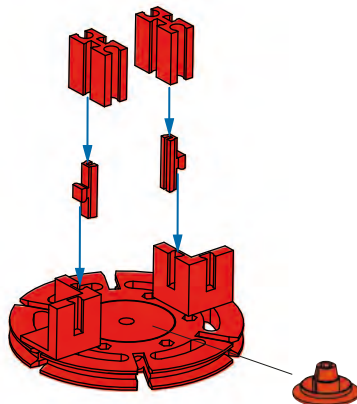
- 7**
- 1x (red 1x2 Technic brick)
 - 1x (red 1x3 Technic brick with hole)
 - 2x (red 1x3 Technic brick)
 - 1x (red 1x3 Technic brick)

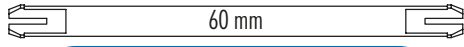


- 8**
- 3x (red 1x3 Technic brick)
 - 2x (red 1x2 Technic brick)
 - 4x (red Technic pin)
 - 2x (yellow Technic axle, 84.8)
 - 1x (red Technic axle, 45)



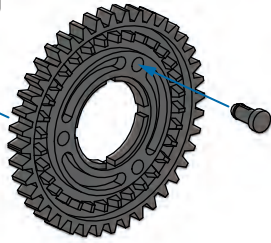
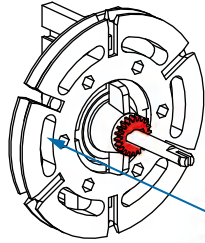
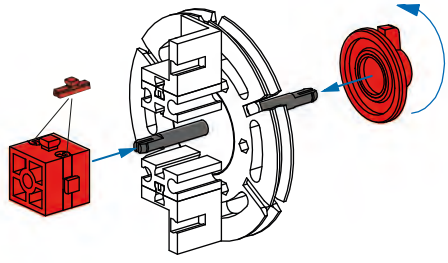
- 9**
- 2x (red L-shaped Technic brick)
 - 2x (red 1x3 Technic brick)
 - 2x (red 1x2 Technic brick)
 - 1x (red Technic pin)
 - 1x (red circular Technic base)





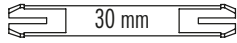
10

- 2 x [Red Technic Pin]
- 1 x [Red Technic Bush]
- 1 x [Red Technic 2x2 Brick]
- 1 x [60 mm Technic Pin]



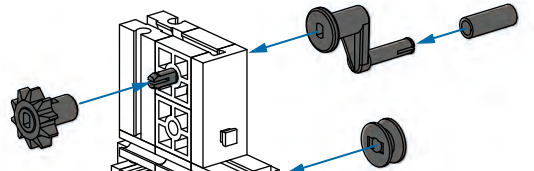
11

- 1 x [Grey Technic Pin]
- 1 x [Grey Technic Bush]
- 1 x [Grey Gear]

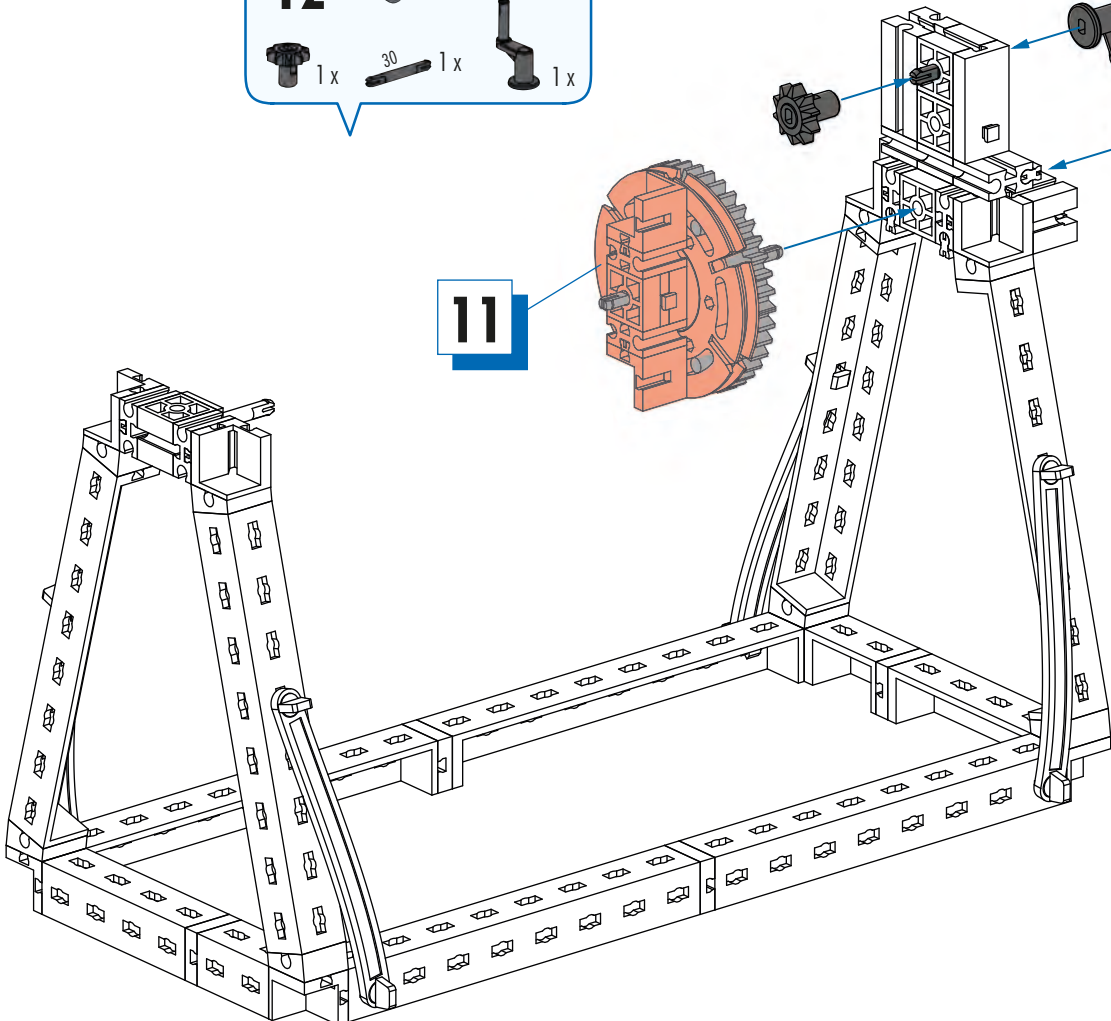


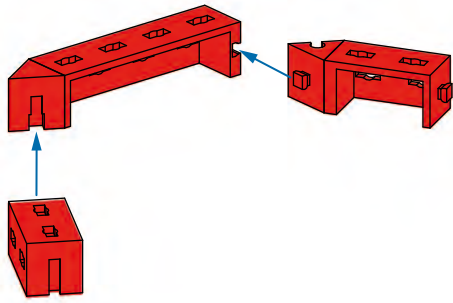
12

- 1 x [Grey Technic Pin]
- 1 x [Grey Technic Bush]
- 1 x [Grey Technic 30 mm Pin]
- 1 x [Grey Technic L-Bracket]



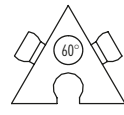
11





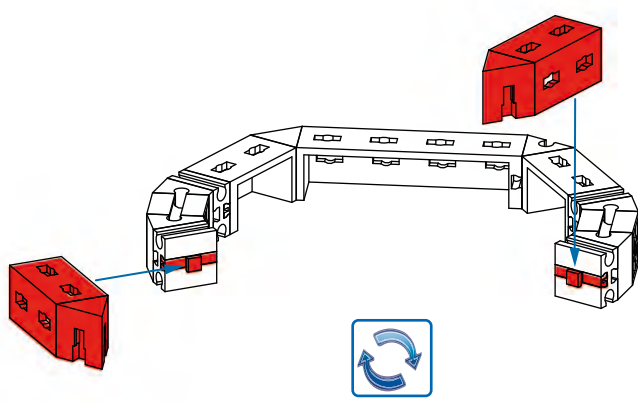
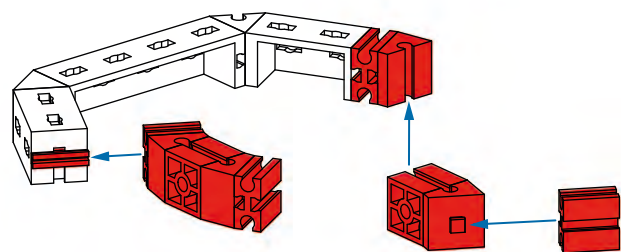
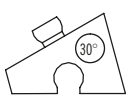
13

- 1 x [red Technic pin]
- 1 x [red Technic 60° wedge]
- 1 x [red Technic 1x3 beam]
- 2 x [red Technic 1x2 brick with hole]



14

- 4 x [red Technic 1x2 brick with hole]
- 1 x [red Technic pin]
- 2 x [red Technic 1x2 brick with hole]
- 4 x [red Technic 30° wedge]

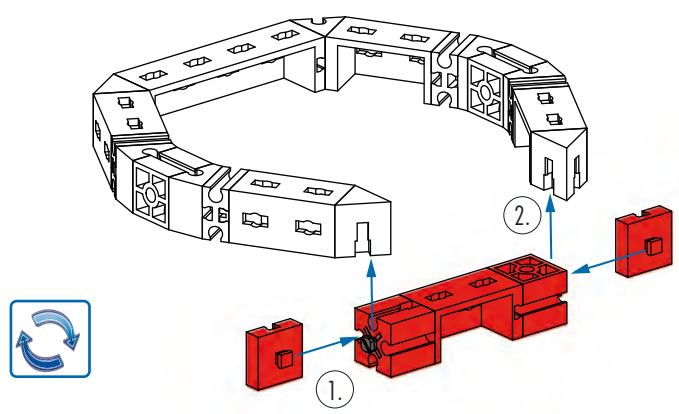


15

- 2 x [red Technic pin]
- 2 x [red Technic 1x2 brick with hole]

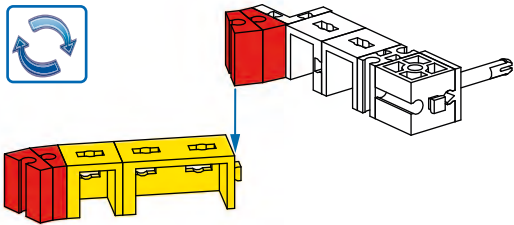
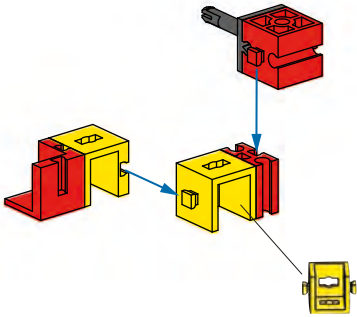
16

- 1 x [red Technic 1x2 brick with hole]
- 2 x [red Technic 1x2 brick with hole]
- 1 x [red Technic 1x2 brick with hole]
- 1 x [red Technic 1x2 brick with hole]



17

- 1x Red Technic 1x2 Pin
- 1x Yellow Technic 1x2 Connector
- 1x Yellow Technic 1x2 Connector with Pin
- 1x Red Technic 1x2 Pin
- 1x Red Technic 1x2 Pin
- 1x Black Technic Pin



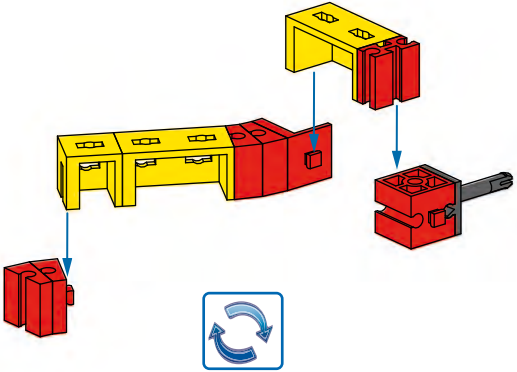
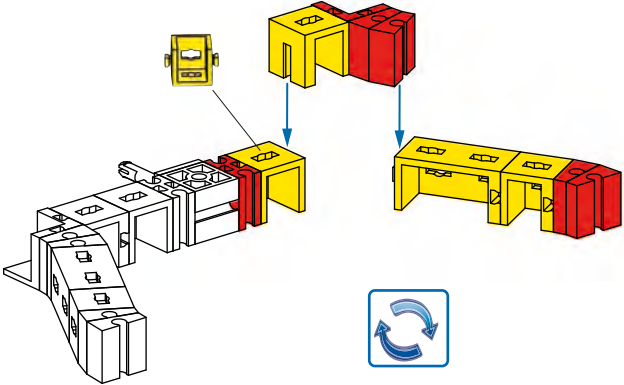
18

- 4x Red Technic 1x2 Pin (15°)
- 1x Yellow Technic 1x2 Connector
- 1x Yellow Technic 1x2 Connector with Pin



19

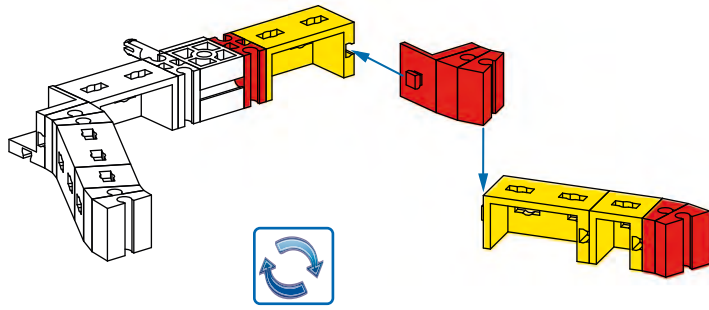
- 1x Red Technic 1x2 Pin
- 2x Yellow Technic 1x2 Connector
- 1x Yellow Technic 1x2 Connector with Pin
- 4x Red Technic 1x2 Pin (15°)
- 1x Red Technic 1x2 Pin
- 1x Yellow Technic 1x2 Connector



20

- 4x Red Technic 1x2 Pin (15°)
- 1x Red Technic 1x2 Pin
- 1x Red Technic 1x2 Pin
- 2x Yellow Technic 1x2 Connector
- 1x Yellow Technic 1x2 Connector with Pin
- 1x Red Technic 1x2 Pin
- 1x Black Technic Pin



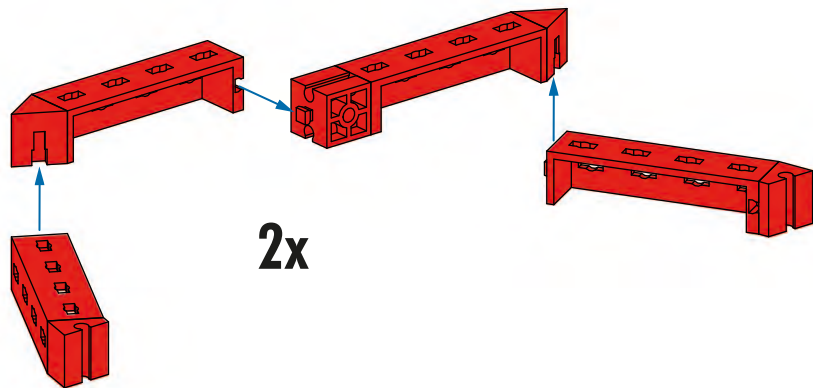
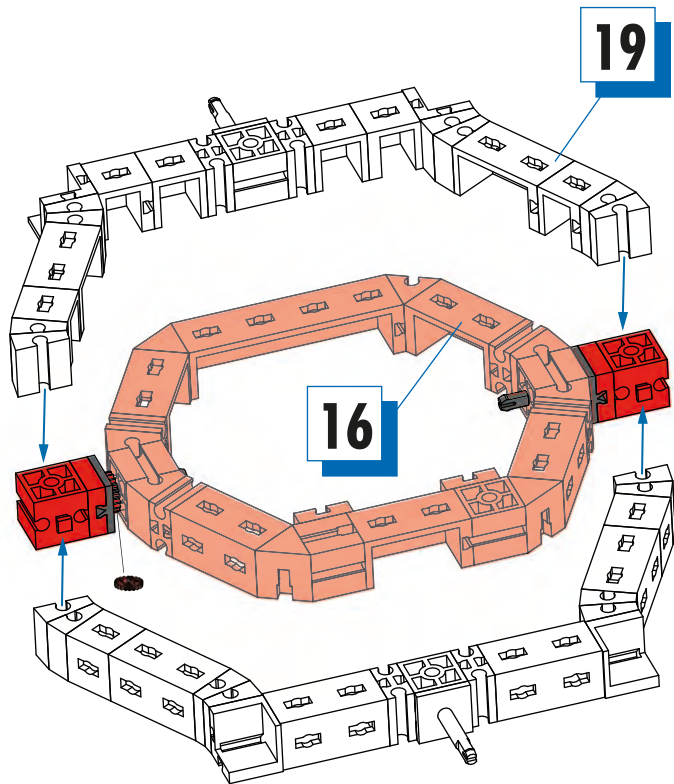


21

- 15° 4x
- 1x
- 2x
- 1x
- 1x

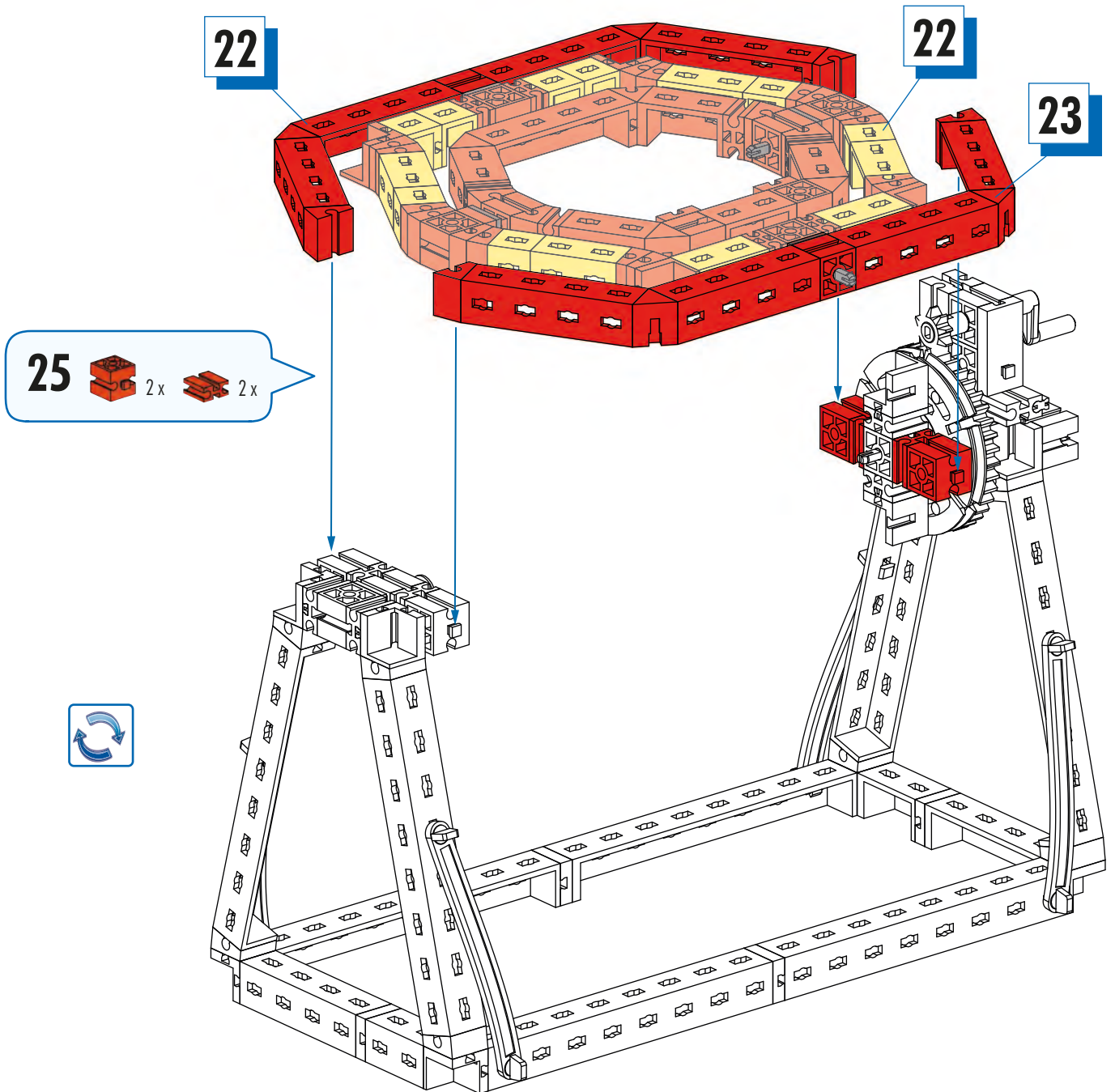
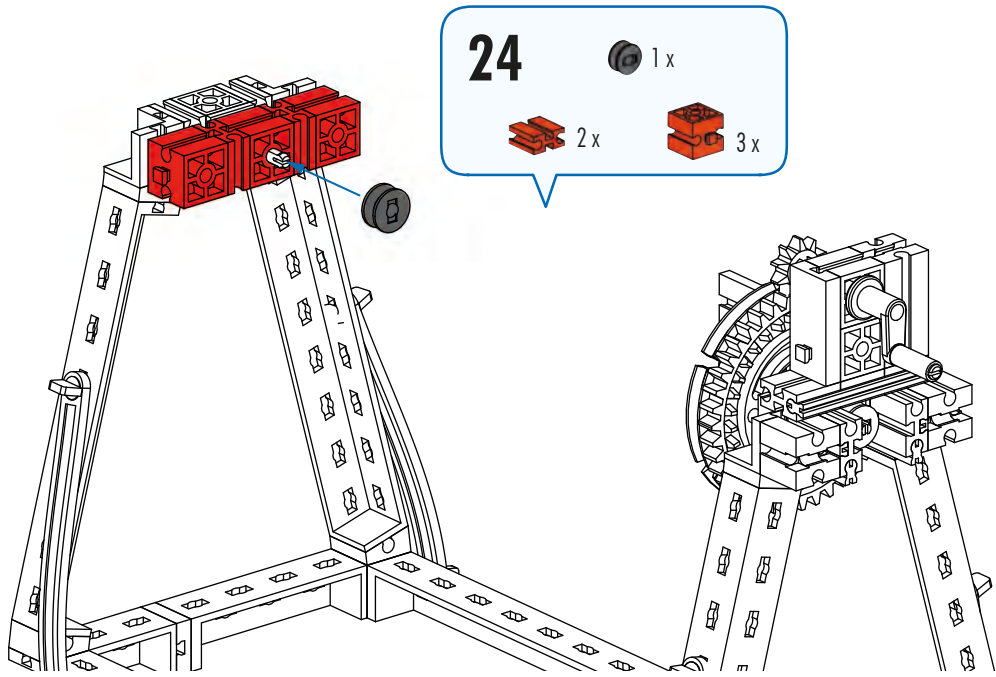
22

- 1x
- 2x
- 2x
- 2x

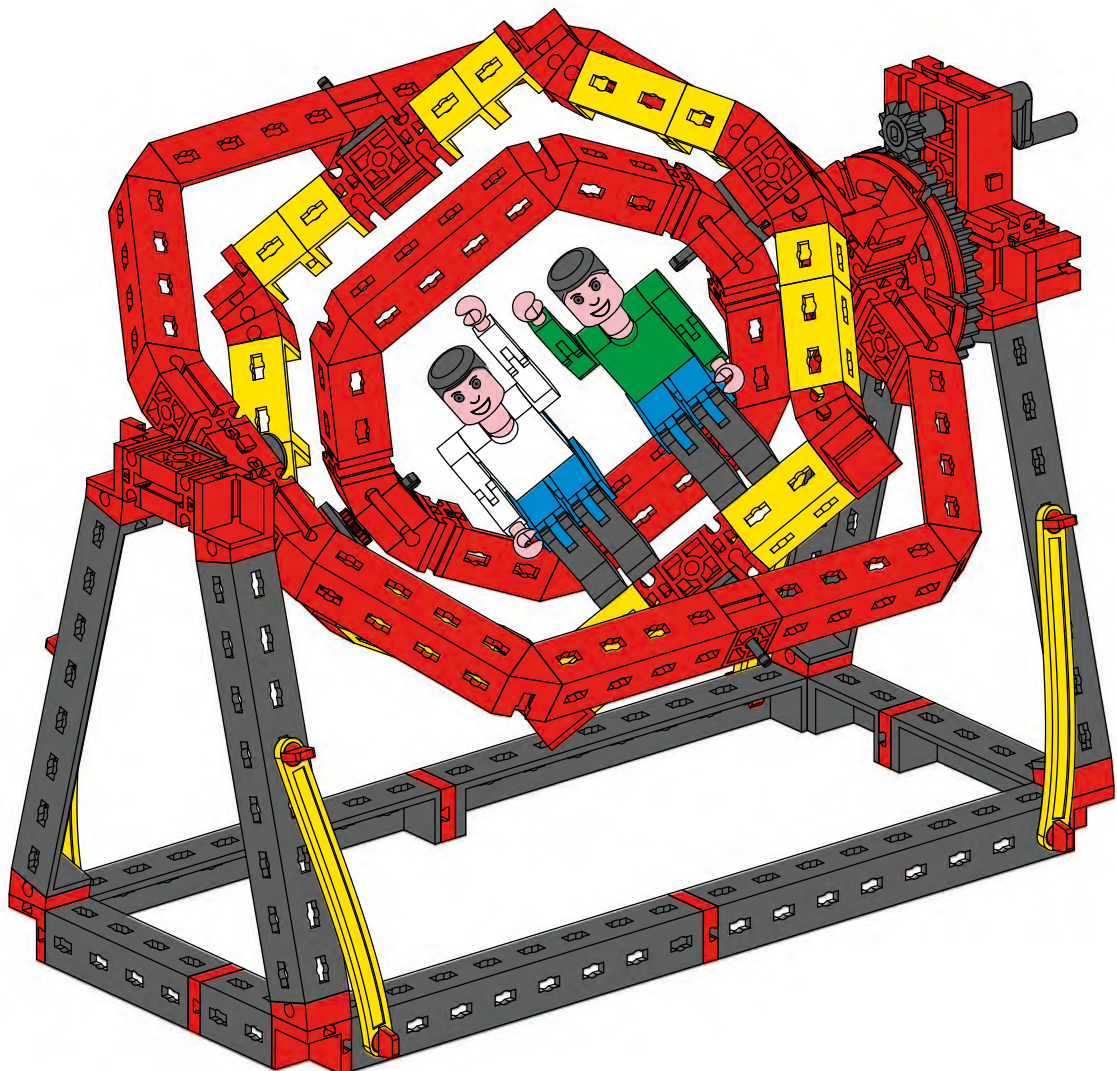
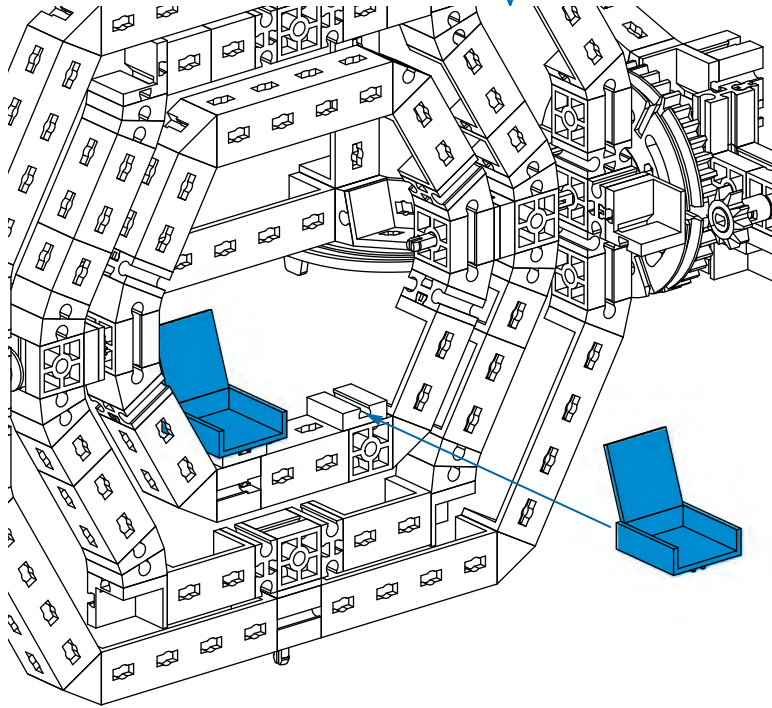


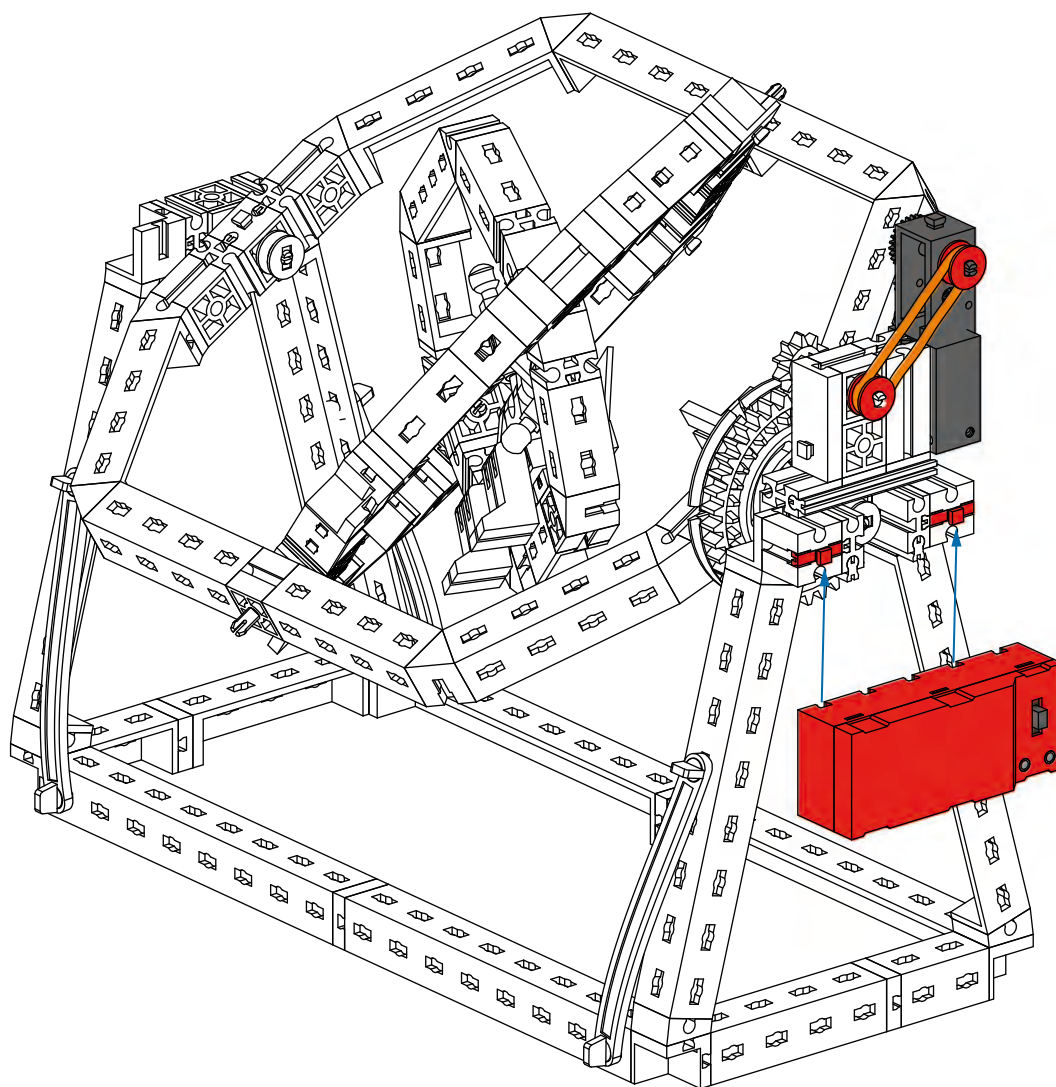
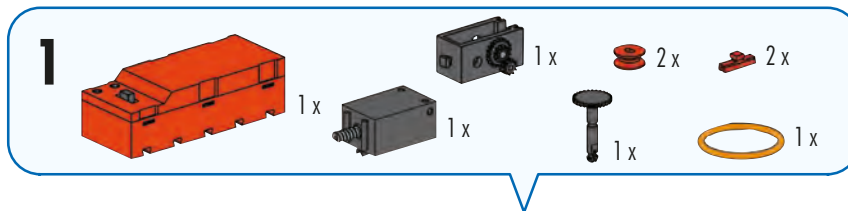
23

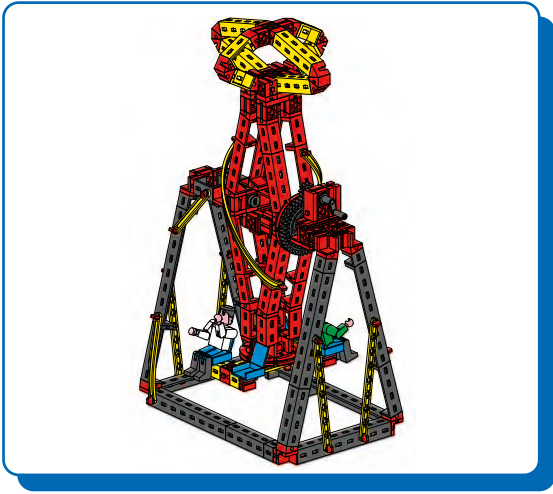
- 4x
- 30° 4x
- 8x
- 2x



26







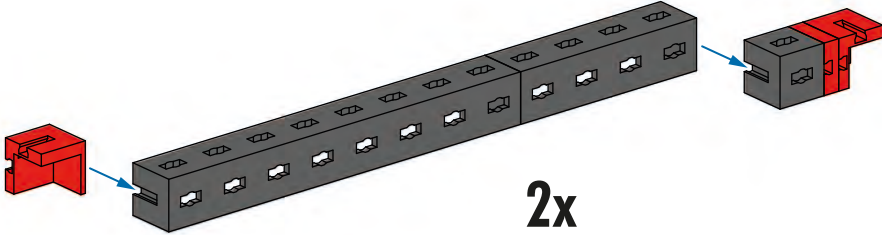
Spinmaster
Spinmaster
Spinmaster

Spinmaster
Spinmaster
Spinmaster

Spinmaster
Спинмастер
自転車

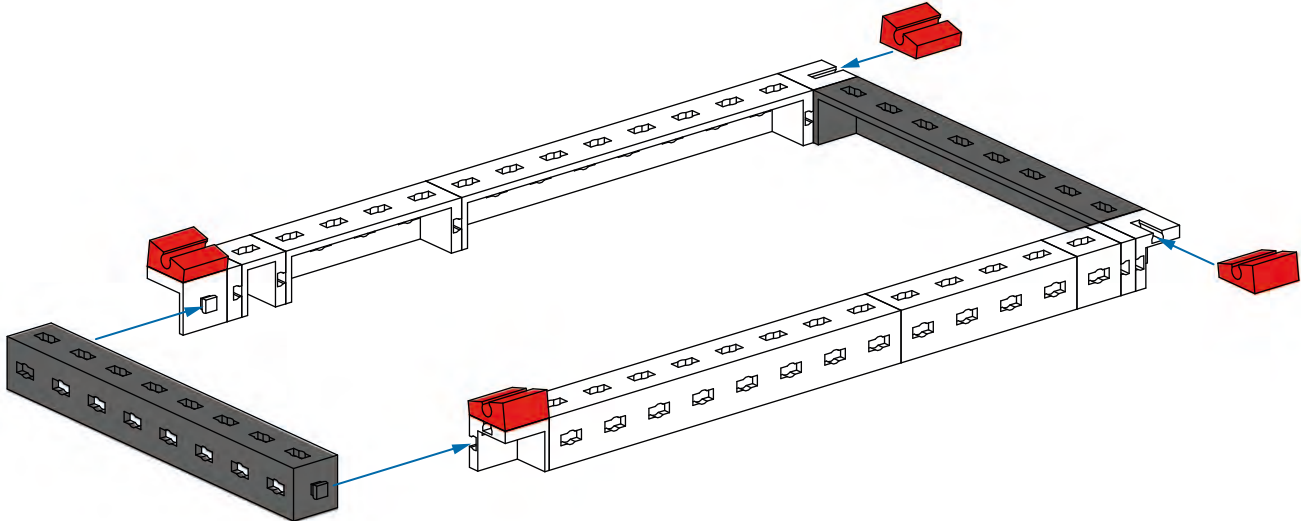
1

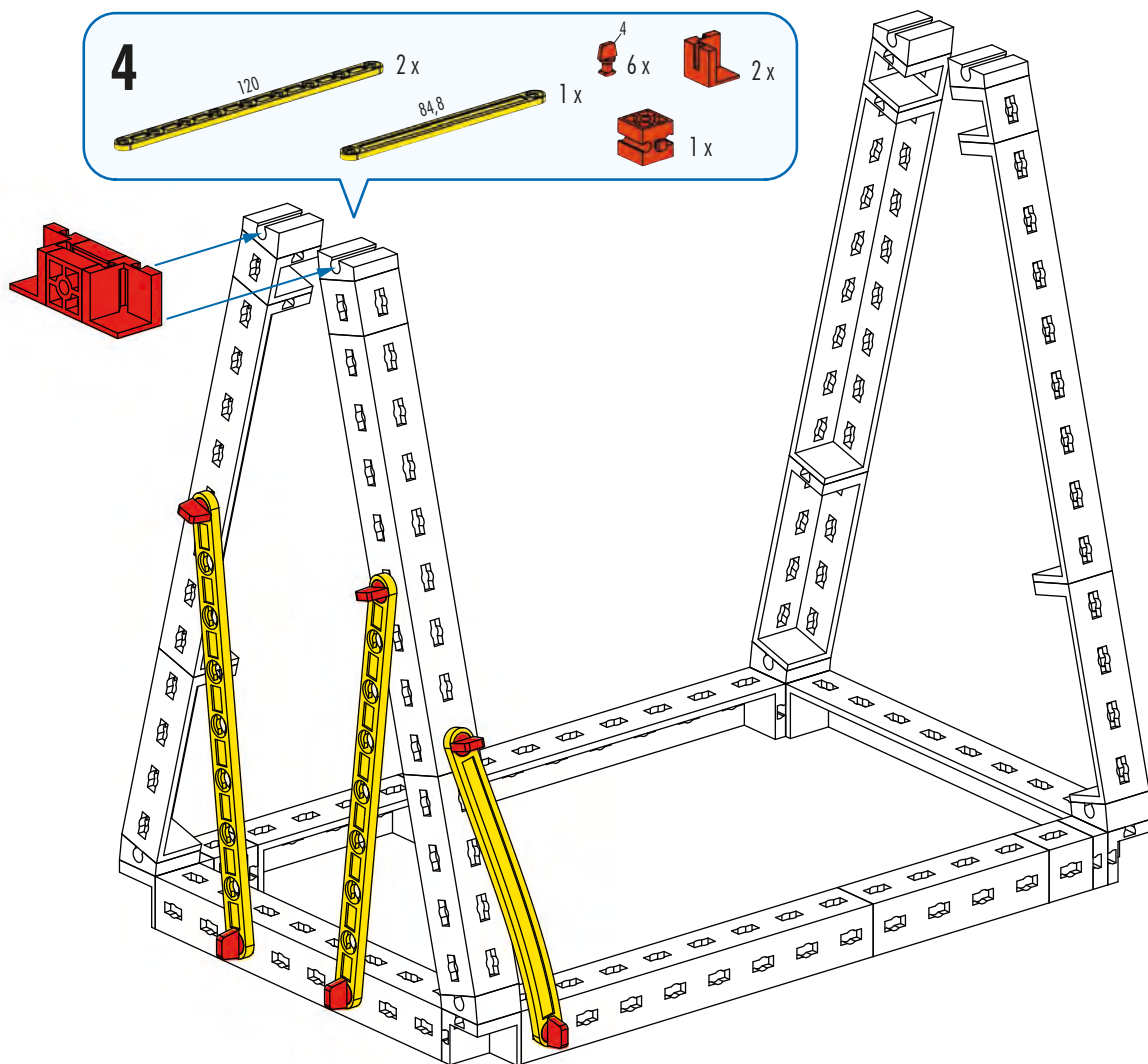
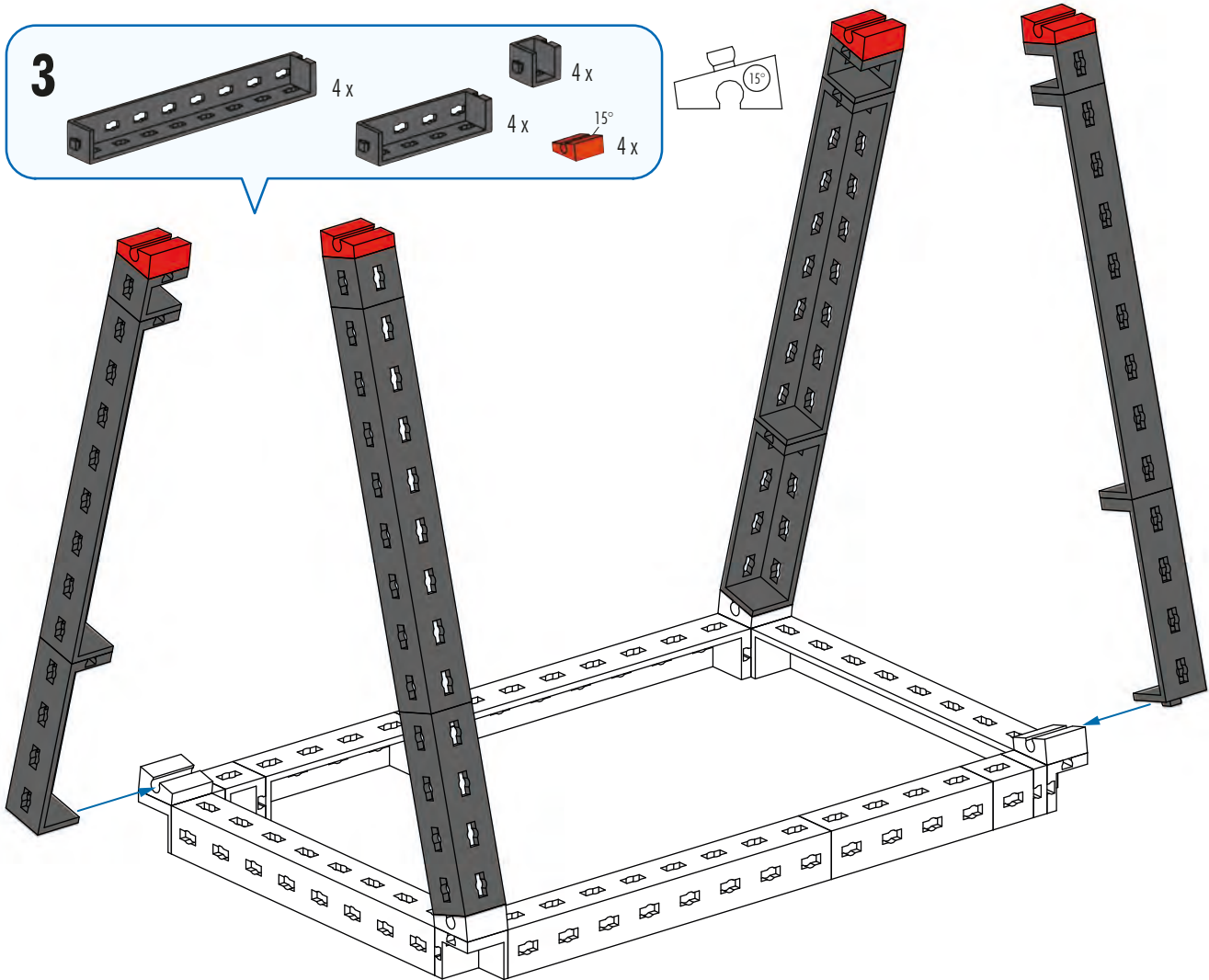
2x 2x 2x 2x 4x



2

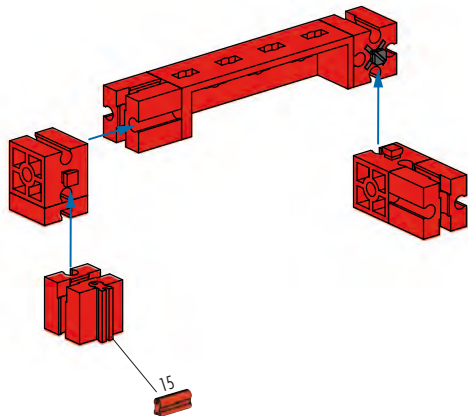
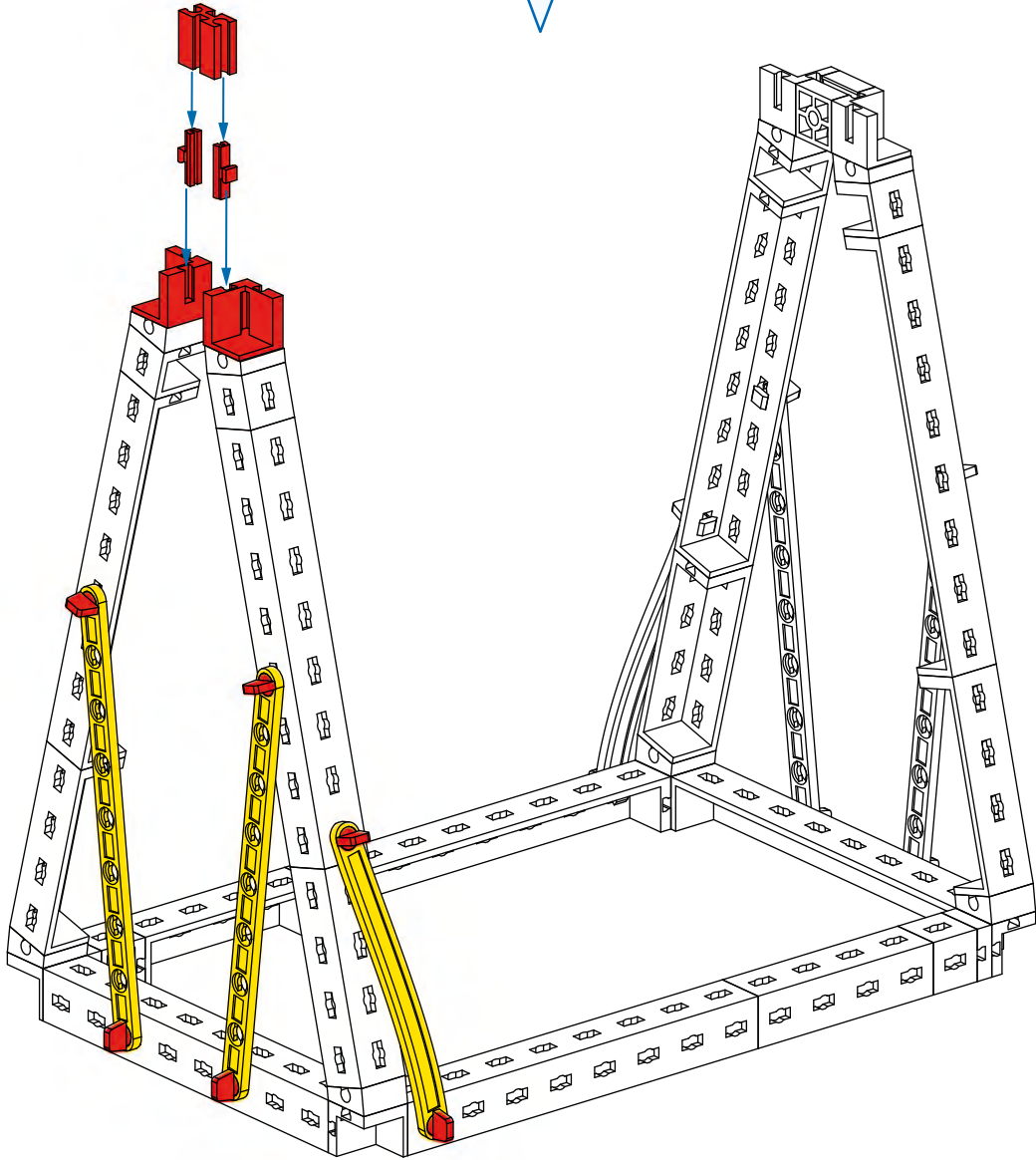
2x 15° 4x 15°





5

- 120 2 x
- 84,8 1 x
- A 6 x
- 2 x
- 1 x
- 2 x

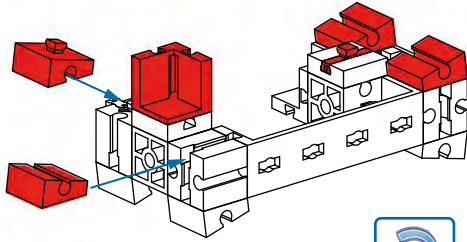
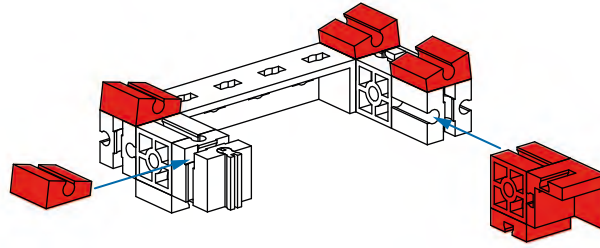
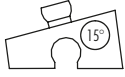


6

- 4 x
- 1 x
- 15 1 x
- 1 x
- 2 x

7

- 1 x [Red L-shaped Technic brick]
- 15° 4 x [Red Technic brick with 15-degree angle]
- 1 x [Red Technic brick with 2 holes]
- 1 x [Red Technic brick with 1 hole]



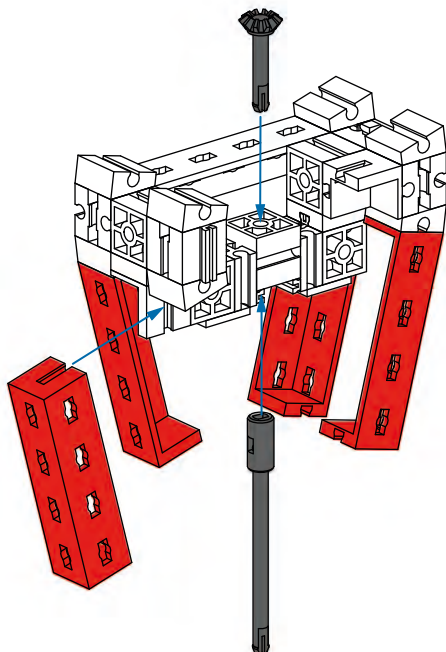
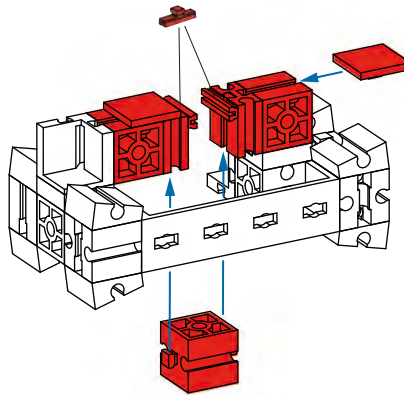
8

- 1 x [Red Technic brick with 2 holes]
- 1 x [Red L-shaped Technic brick]
- 15° 4 x [Red Technic brick with 15-degree angle]



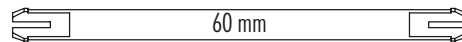
9

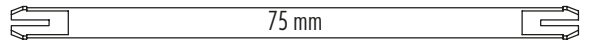
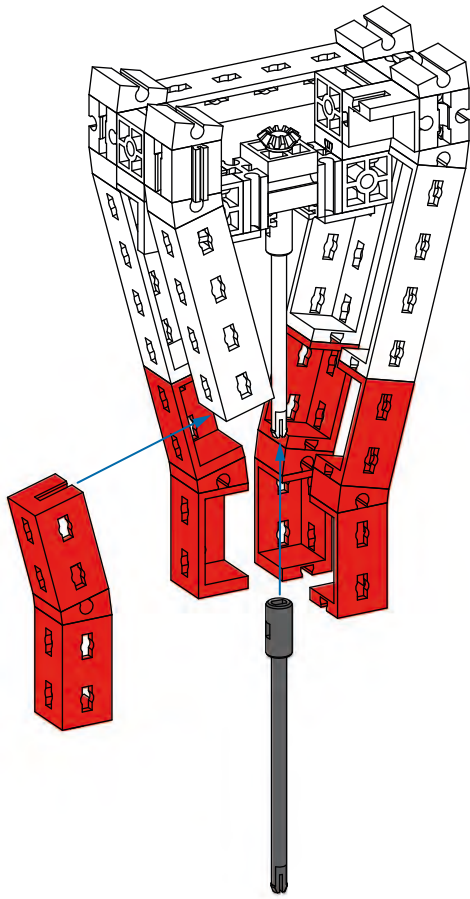
- 2 x [Red Technic brick with 2 holes]
- 2 x [Red Technic brick with 1 hole]
- 3 x [Red Technic brick with 2 holes]
- 2 x [Red Technic brick with 1 hole]



10

- 1 x [Grey axle]
- 1 x [Grey axle with a bush]
- 4 x [Red Technic brick with 2 holes]
- 60 1 x [Grey axle with length 60 mm]



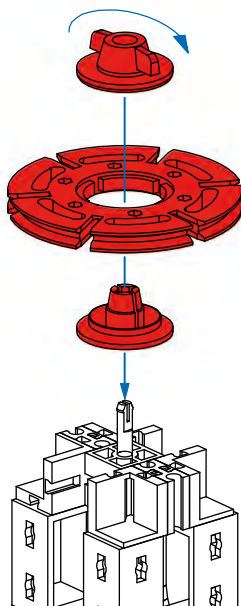
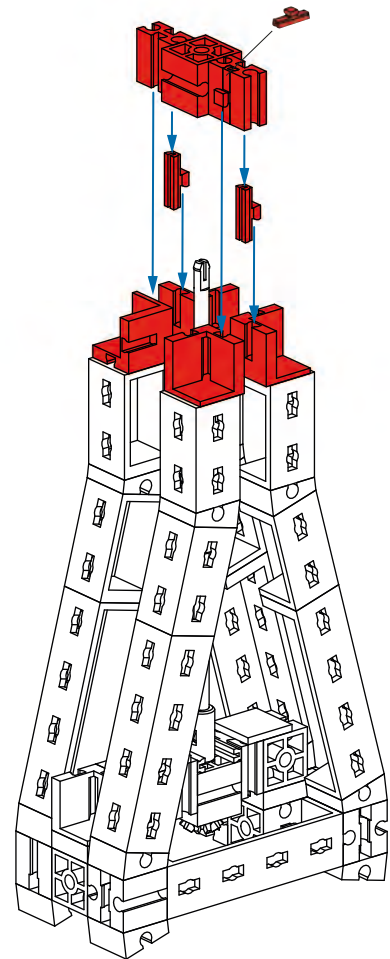


11

- 75 1 x
- 15° 1 x
- 8 x
- 15° 4 x

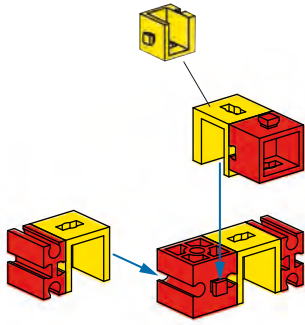
12

- 4 x
- 3 x
- 1 x
- 2 x



13

- 1 x
- 1 x
- 1 x



2x

14

2x 4x

2x 4x 2x

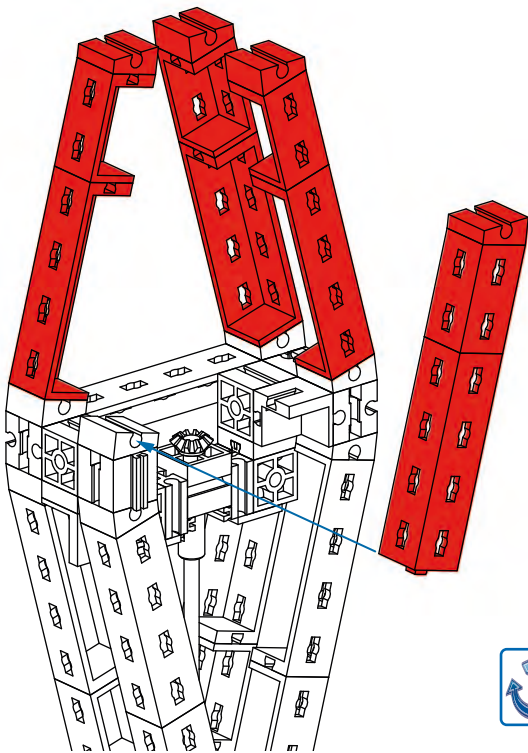
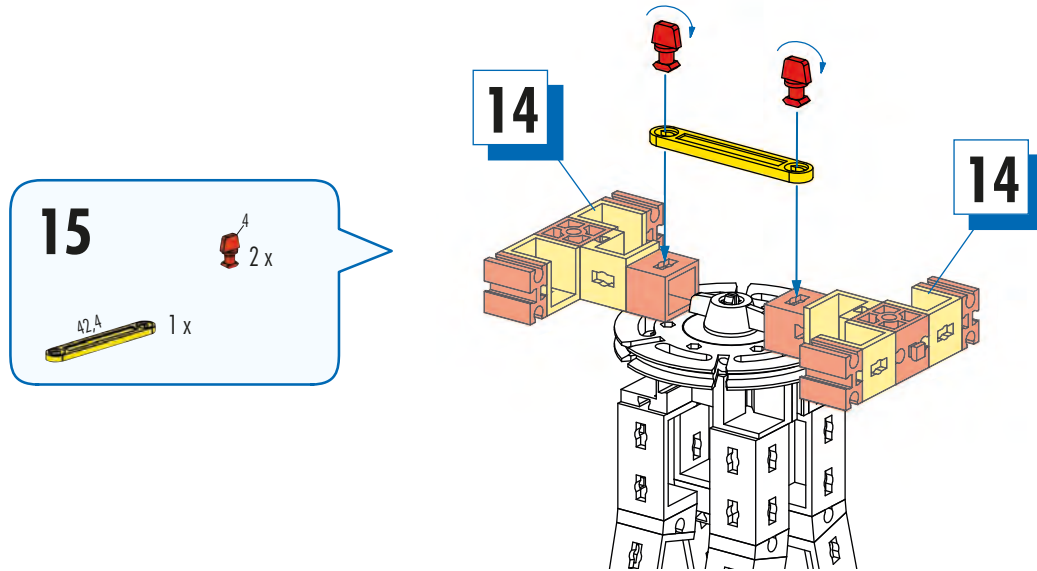
14

14

15

2x

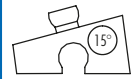
42.A 1x



16

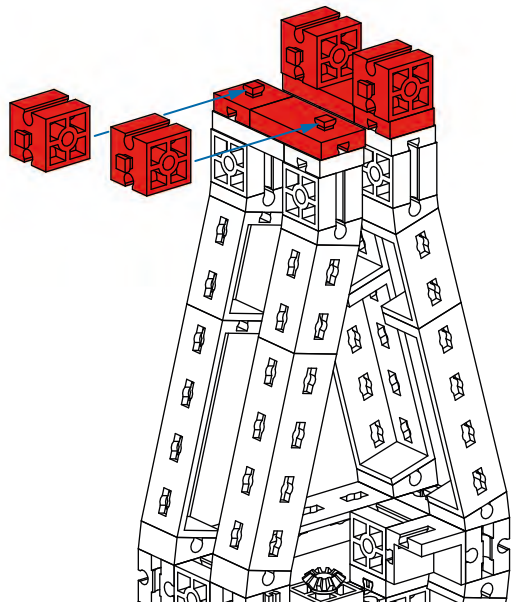
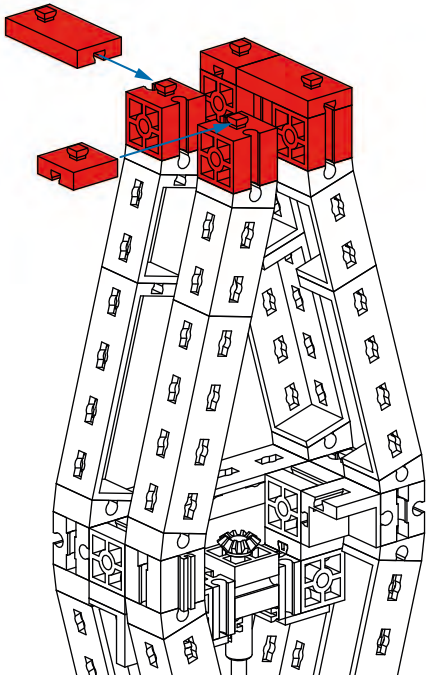
15° 4x

4x 4x



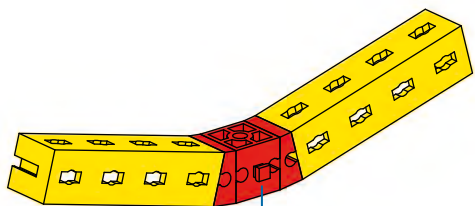
17

- 2 x
- 4 x
- 2 x



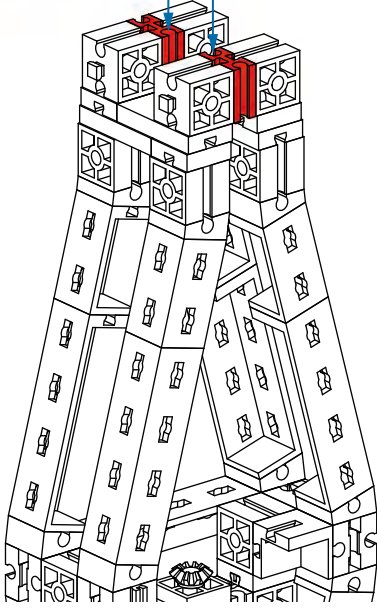
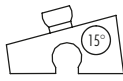
18

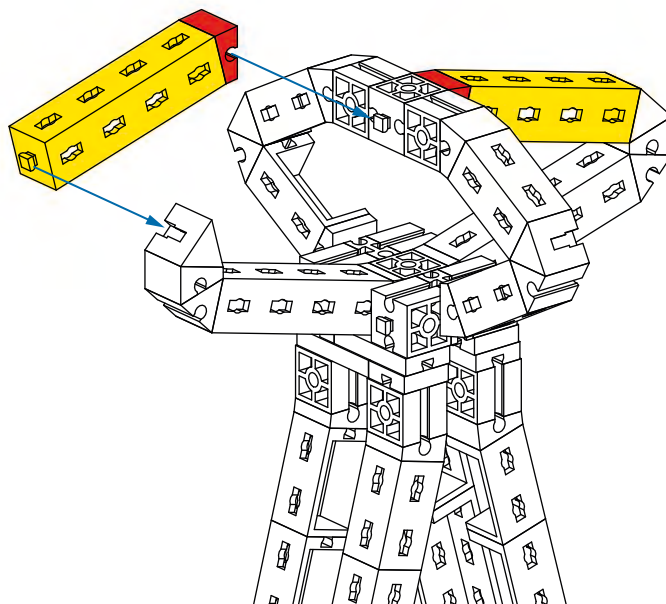
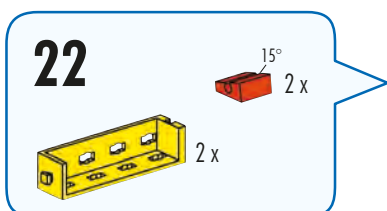
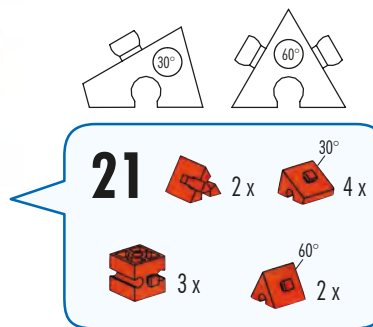
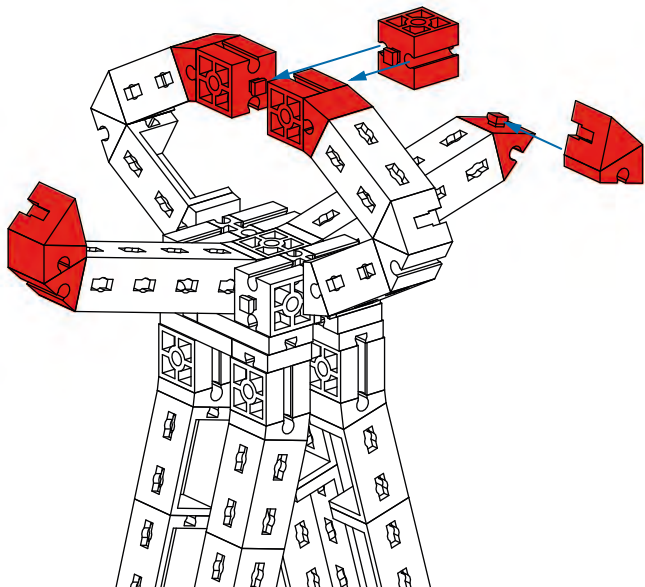
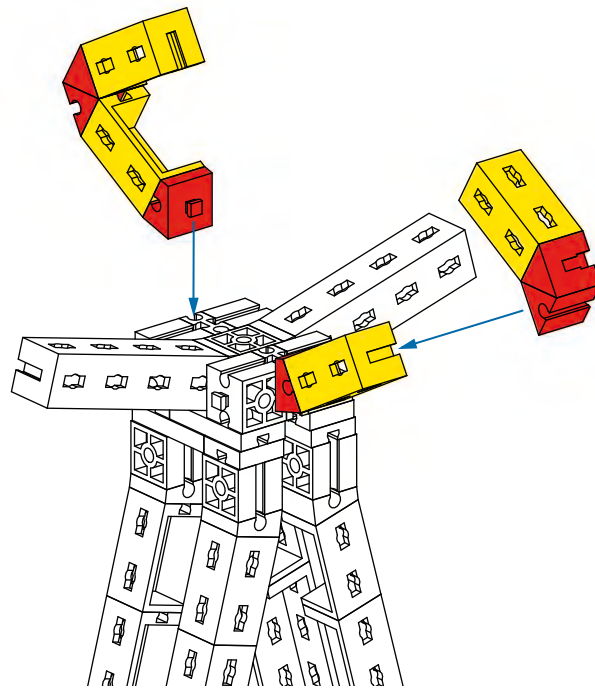
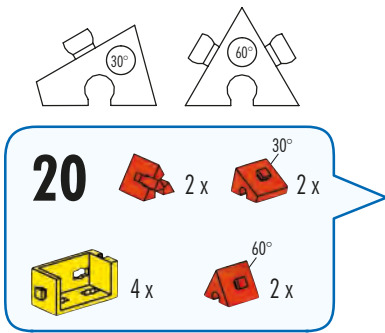
- 2 x
- 4 x
- 2 x

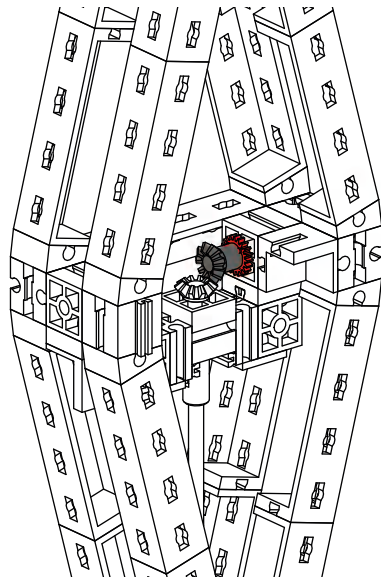


19




- 2 x
- 2 x
- 2 x
- 1 x

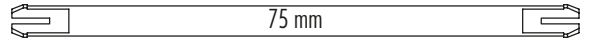











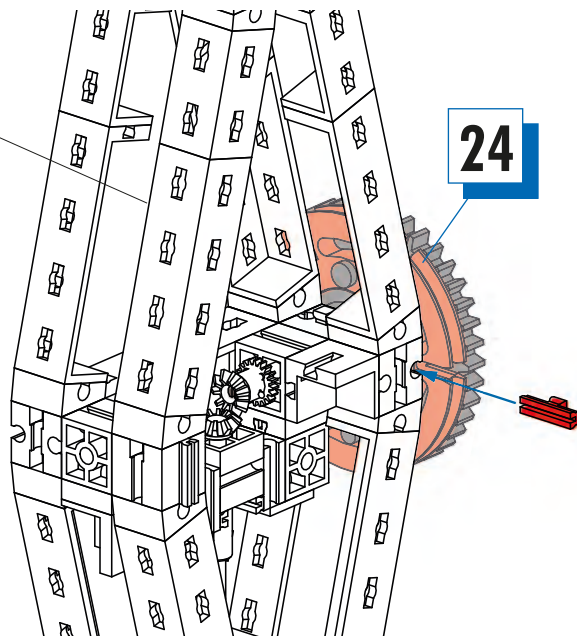
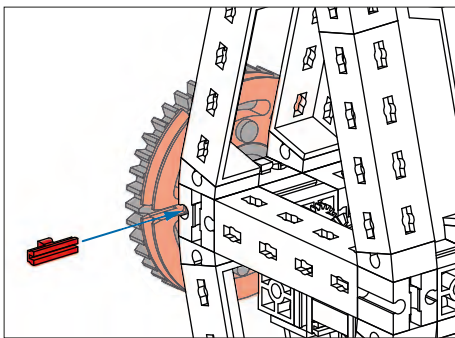
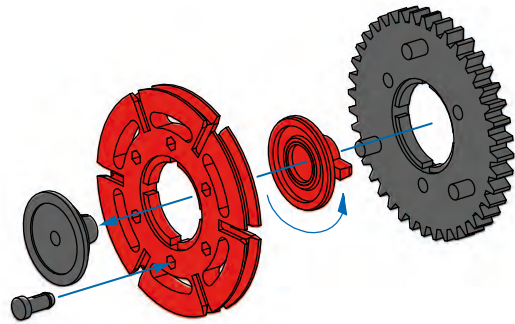
23

-  1x
-  1x
-  1x



24

-  1x
-  1x
-  1x
-  1x
-  1x

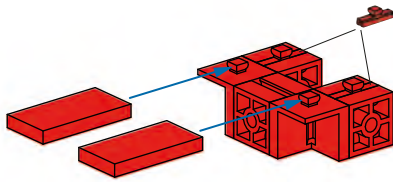


24

25

-  2x



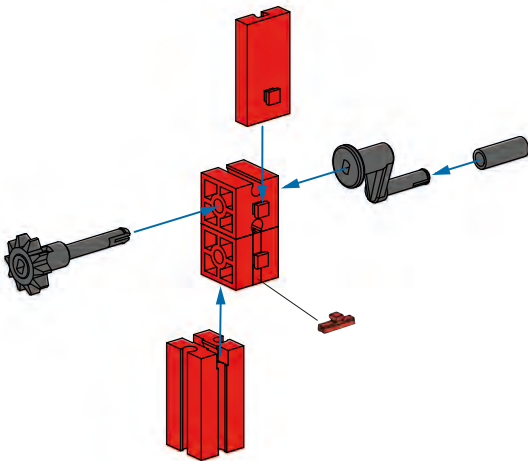
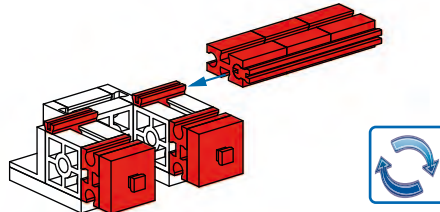


26

- 2 x
- 2 x
- 3 x
- 2 x

27

- 2 x
- 2 x
- 1 x
- 5 x



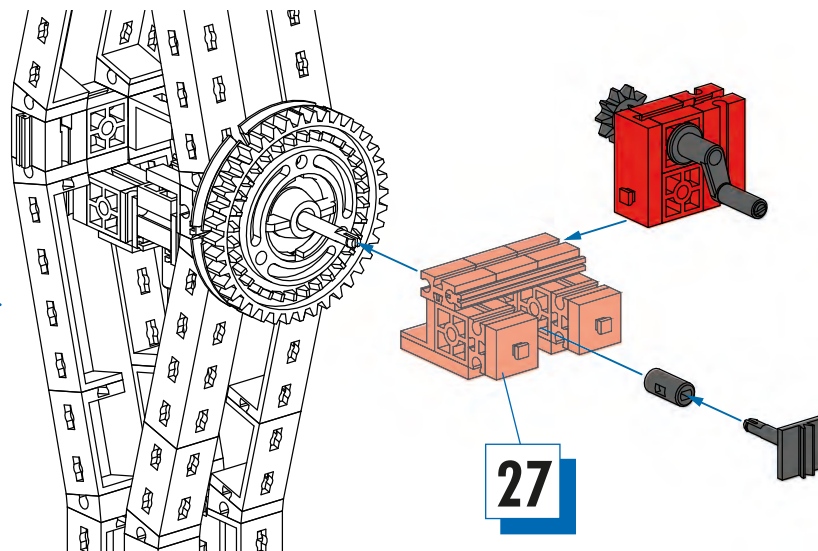
28

- 1 x
- 1 x
- 1 x
- 1 x
- 2 x
- 1 x
- 1 x
- 1 x

30 mm

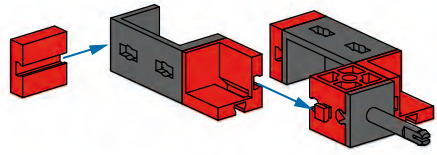
29

- 1 x
- 1 x

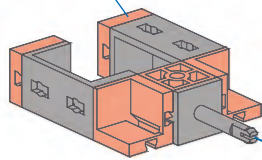


30

- 2x (Red 1x2 Technic Brick)
- 1x (Grey Technic Pin)
- 1x (Red 1x2 Technic Brick with Pin)
- 2x (Red 1x2 Technic Brick)
- 2x (Grey Technic Pin)

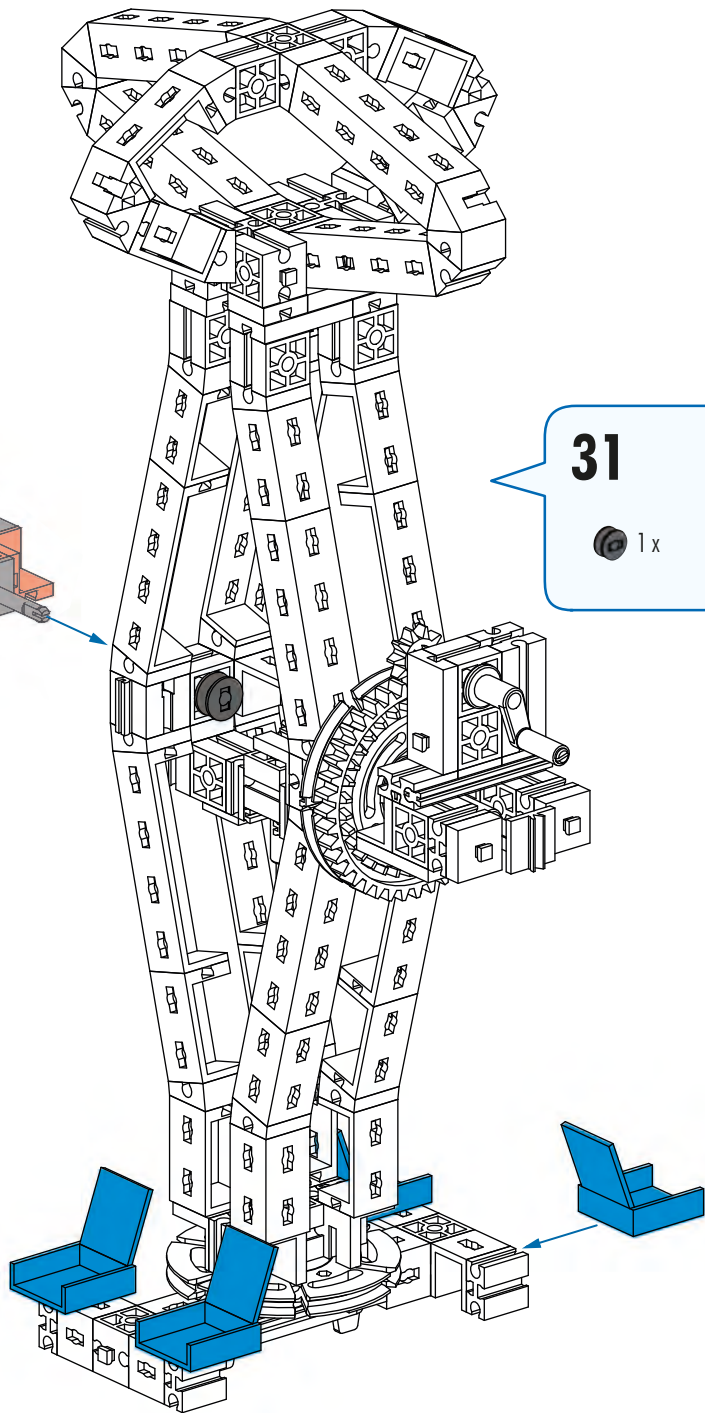


30



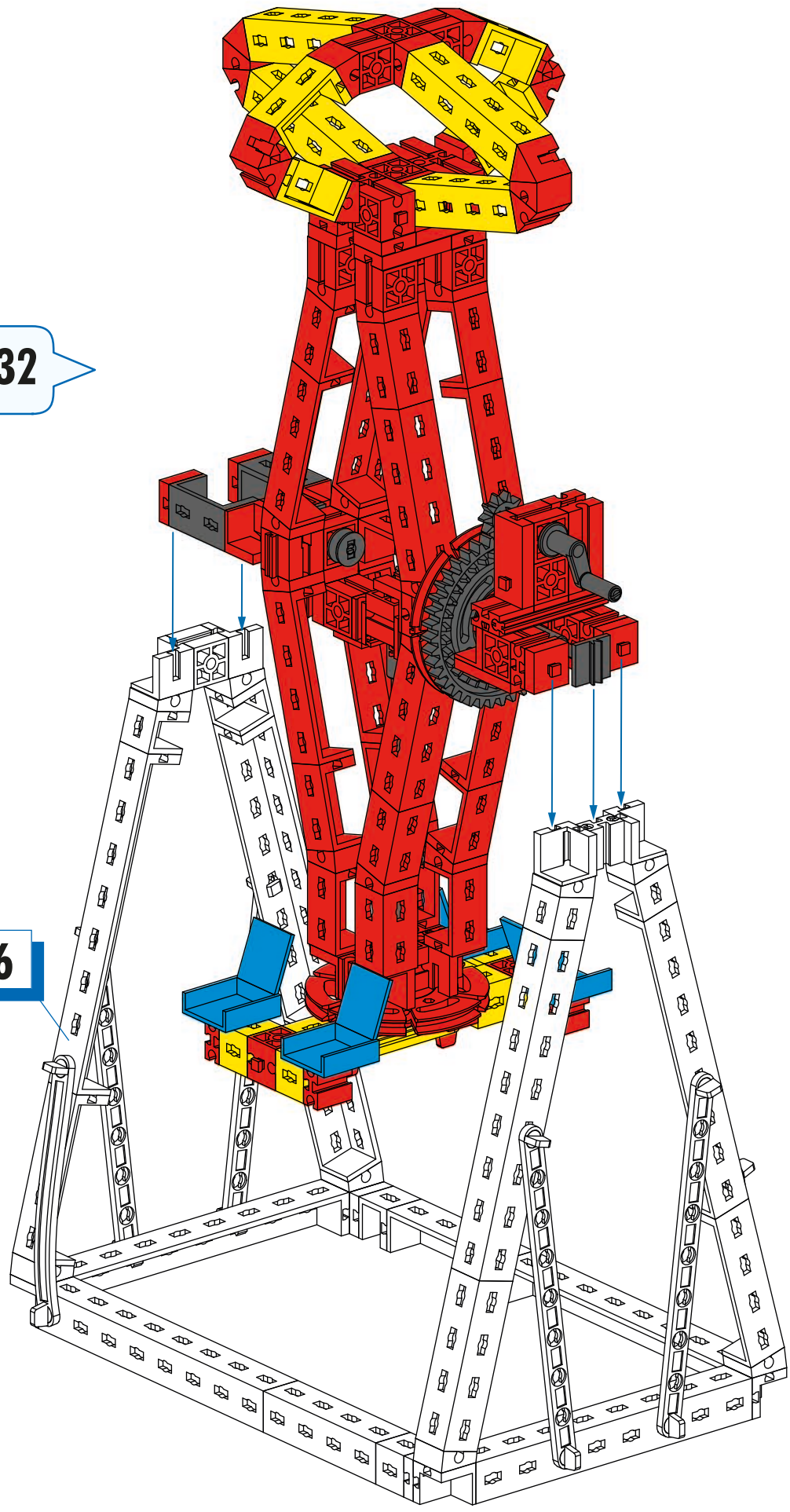
31

- 1x (Grey Technic Pin)
- 4x (Blue Technic Chair)

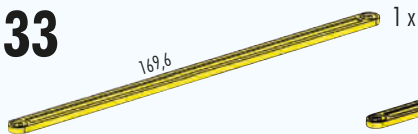


32

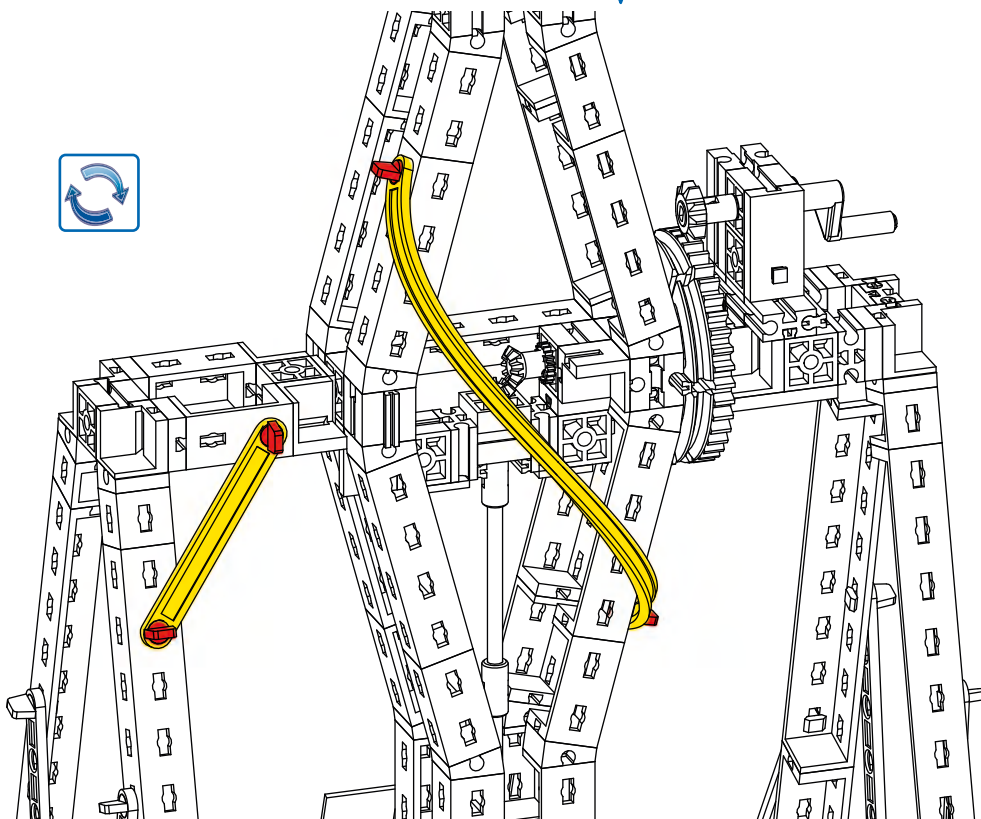
6



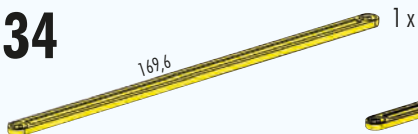
33



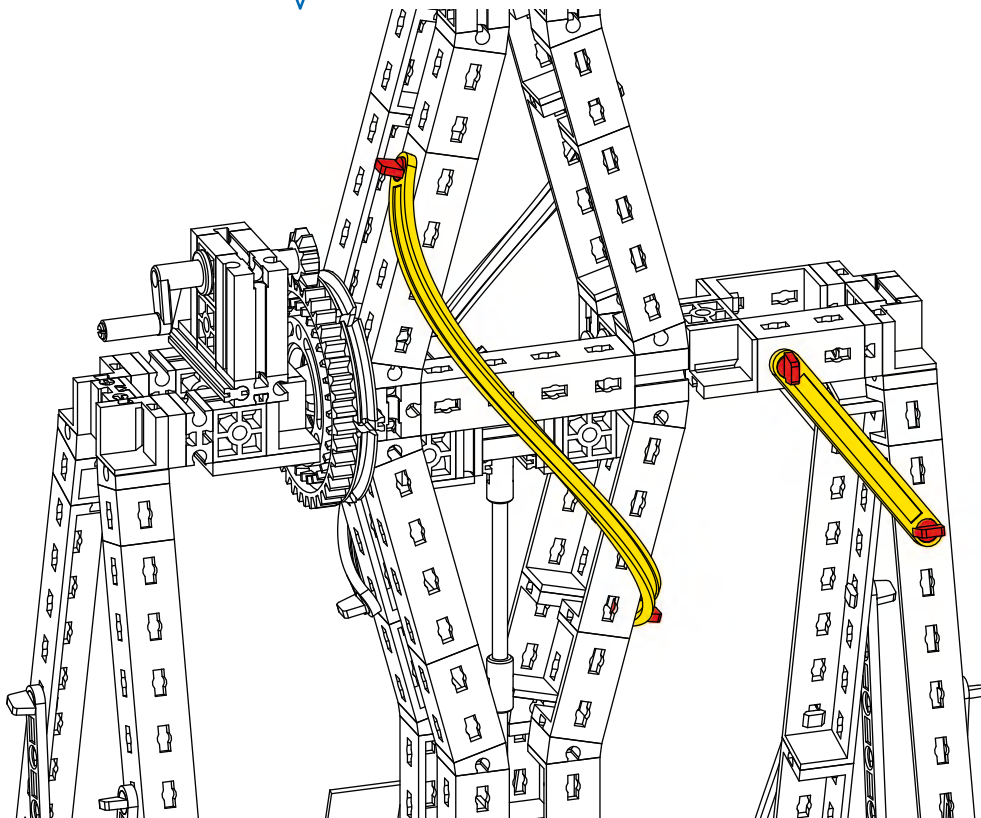
4 x

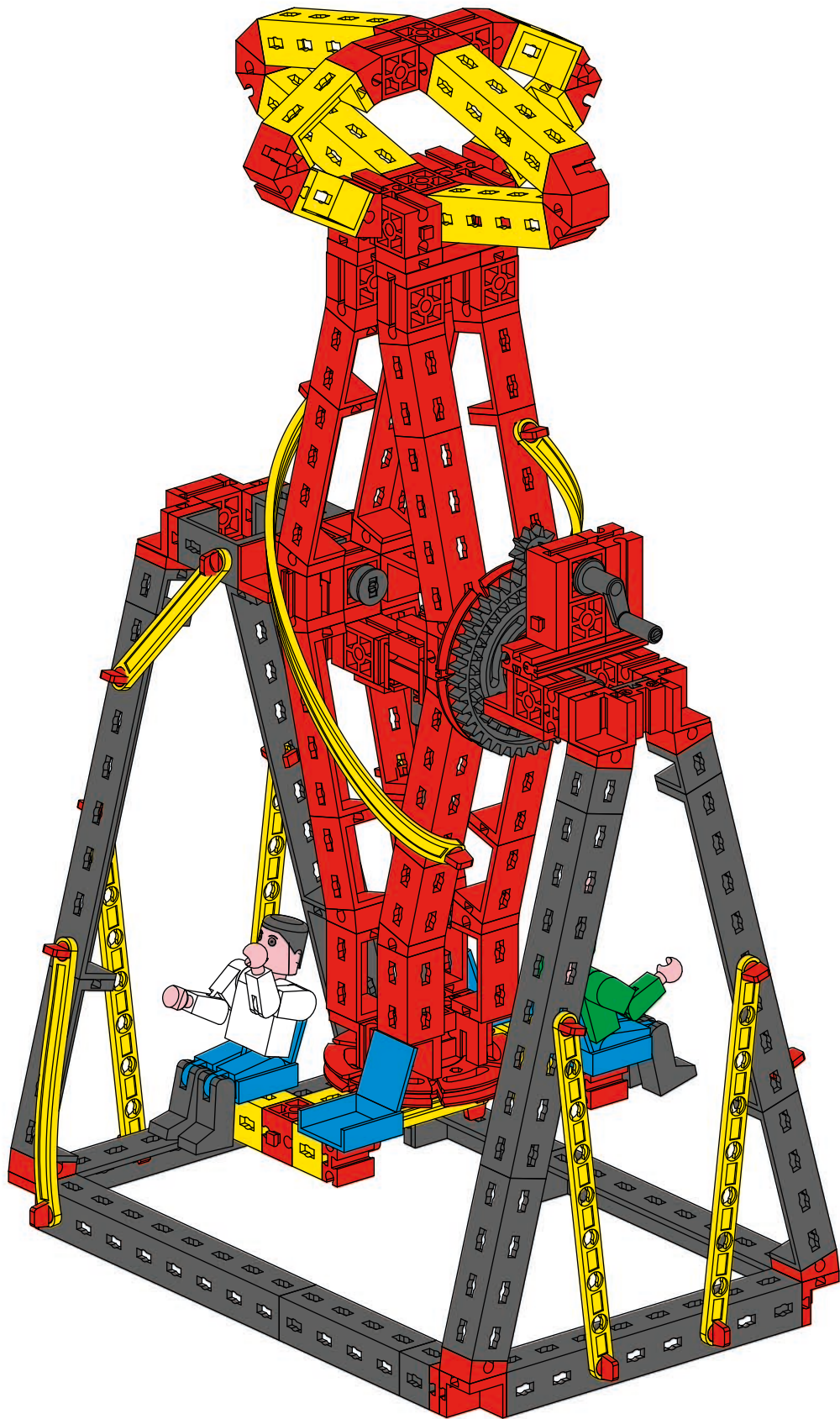


34



4 x

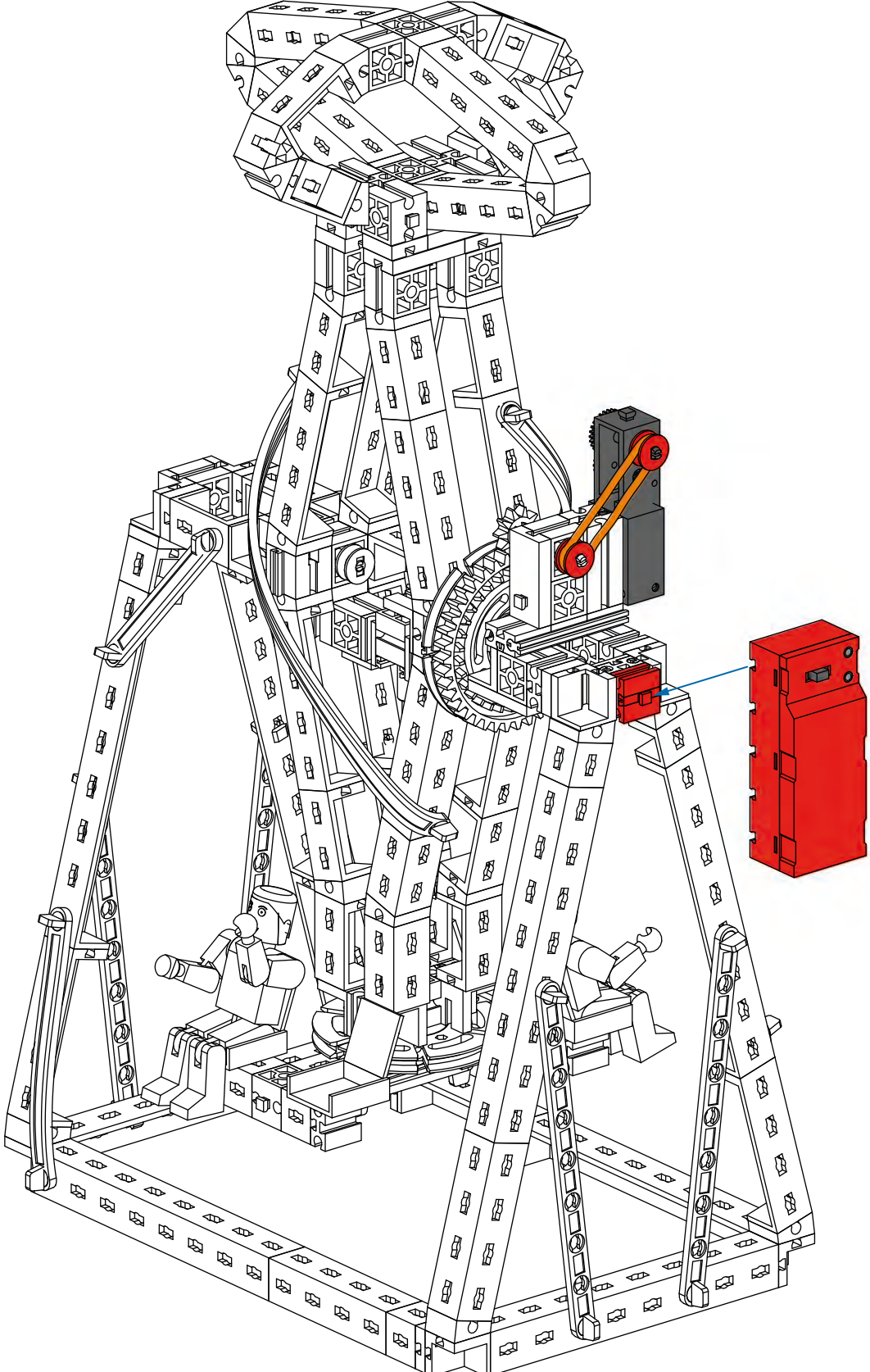


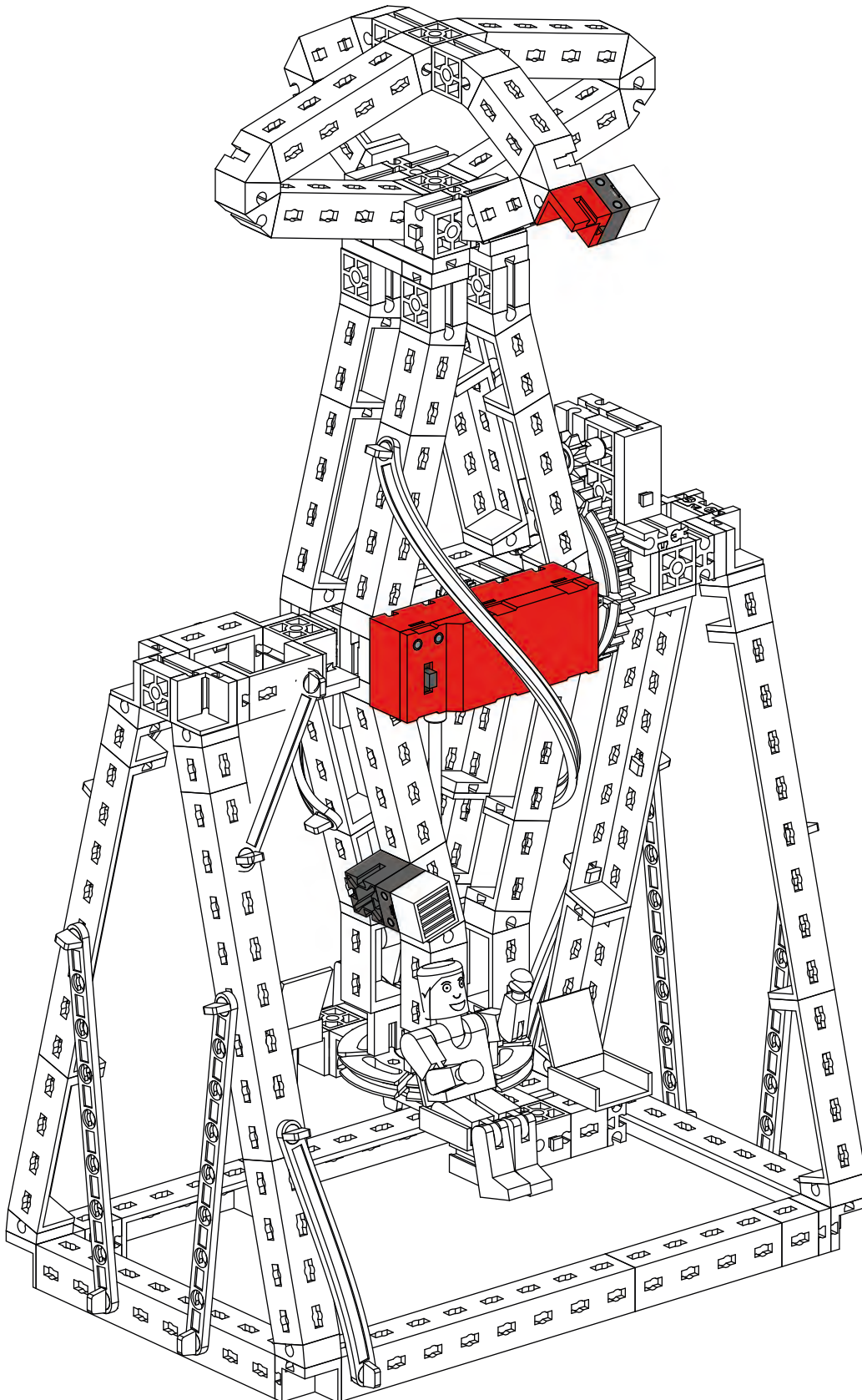
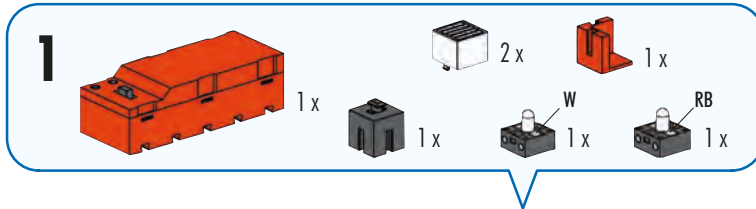




1

- 1x (Red motor housing)
- 1x (Grey motor)
- 1x (Grey motor)
- 1x (Black axle)
- 2x (Red bush)
- 2x (Red bush)
- 1x (Black axle)
- 1x (Red bush)
- 1x (Yellow rubber band)





2

- White 1x2 Technic Brick with 2 holes: 2x
- Red 1x2 Technic Brick with 2 holes: 1x
- Black 1x2 Technic Brick with 2 holes: 1x
- Black Technic Pin with a white friction ridge: W, 1x
- Black Technic Pin with a red friction ridge: RB, 1x

