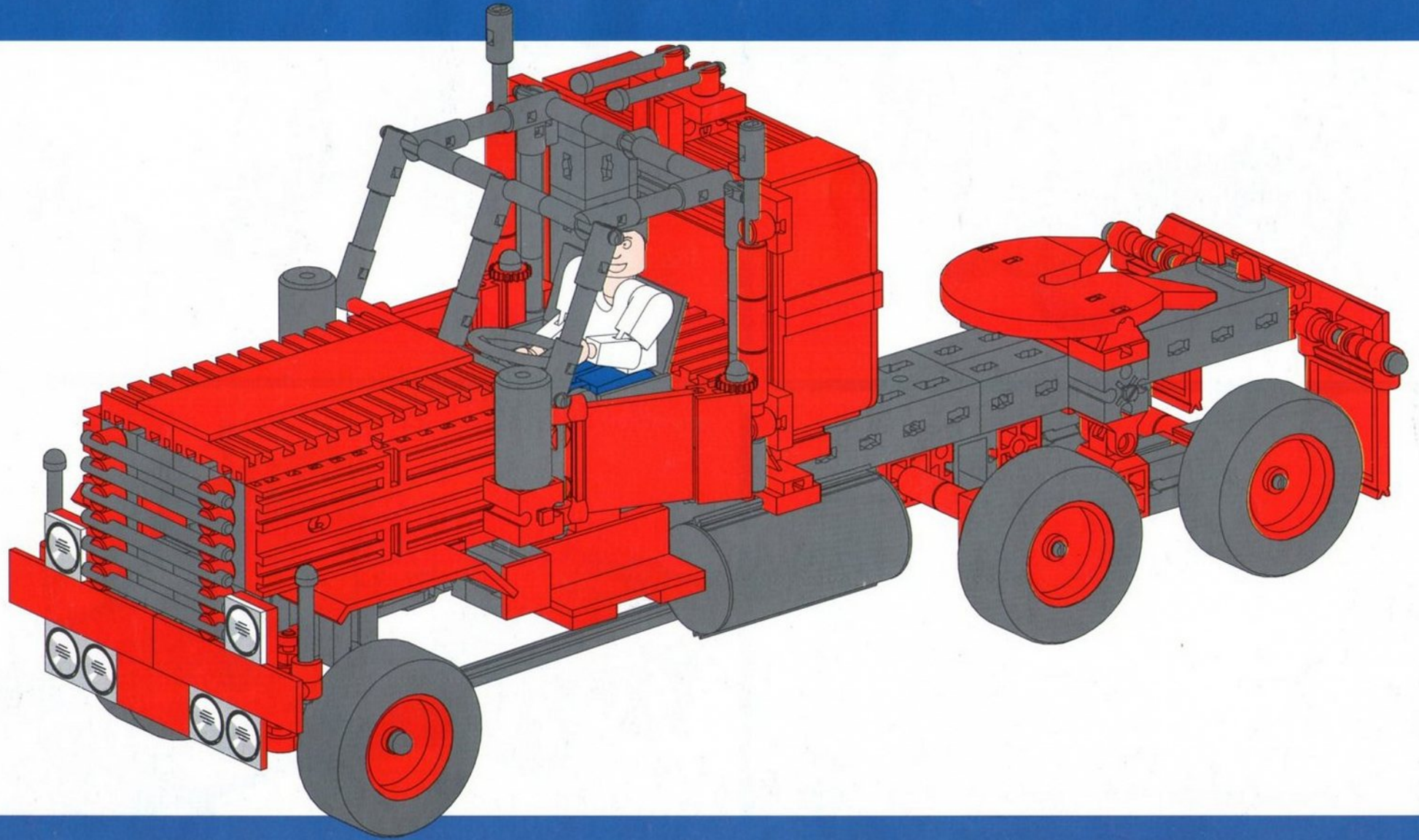
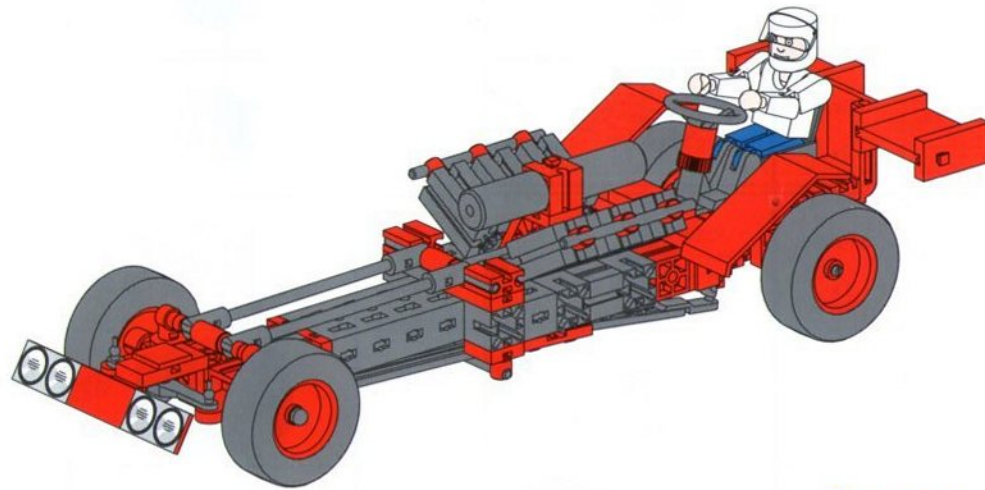


# KING OF THE ROAD



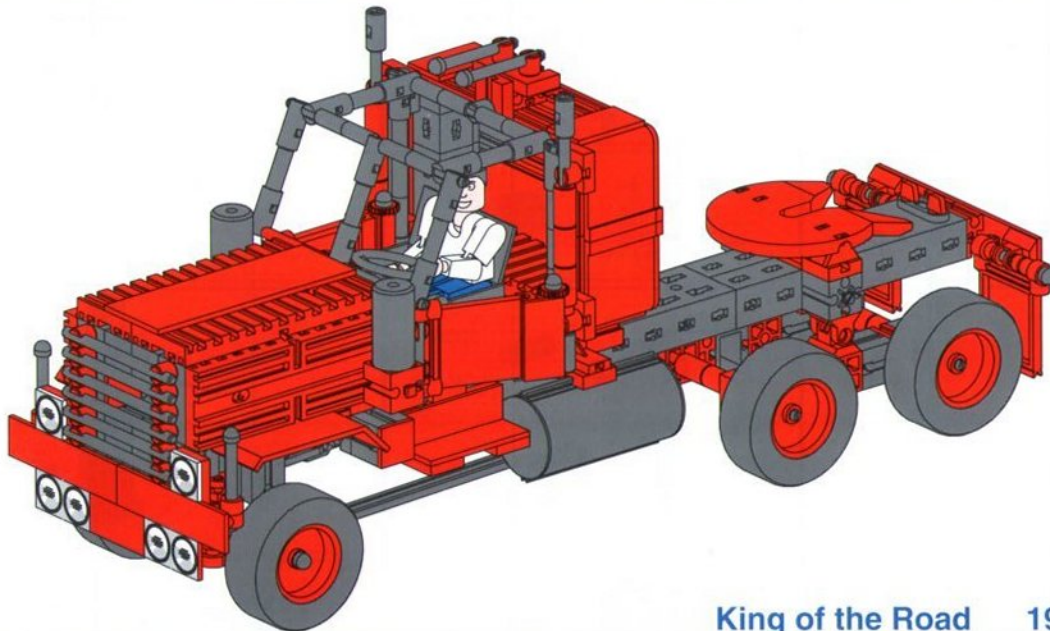
**fischertechnik**<sup>®</sup> <sup>®</sup>



Dragster 5



Truck 9




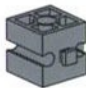















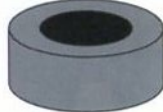















































































King of the Road 19

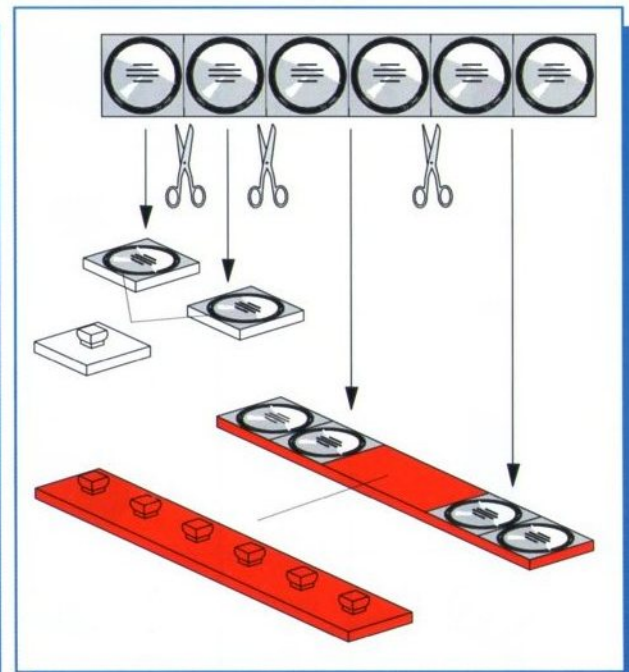
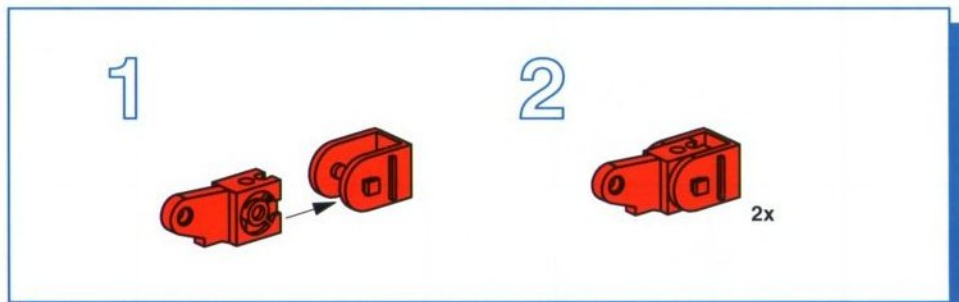
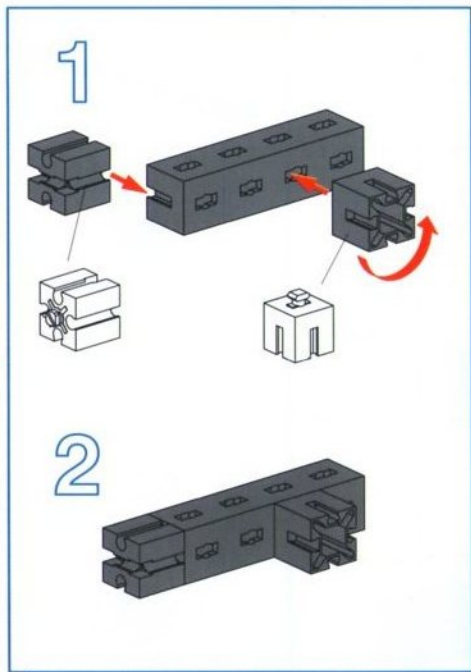
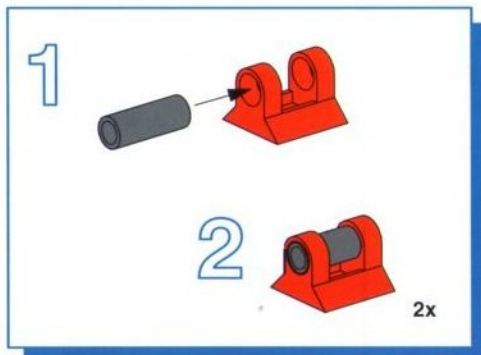
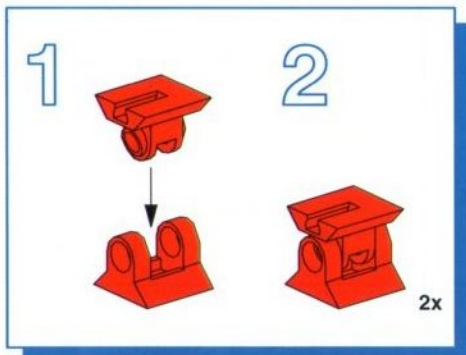
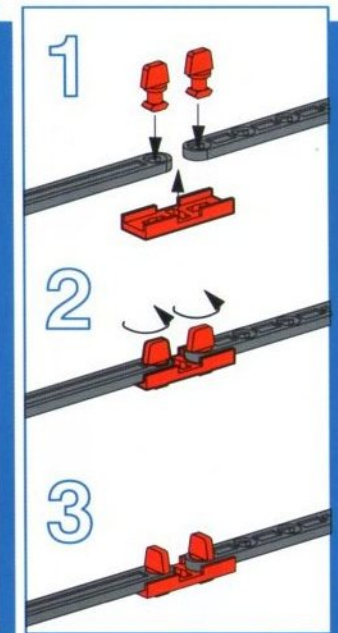
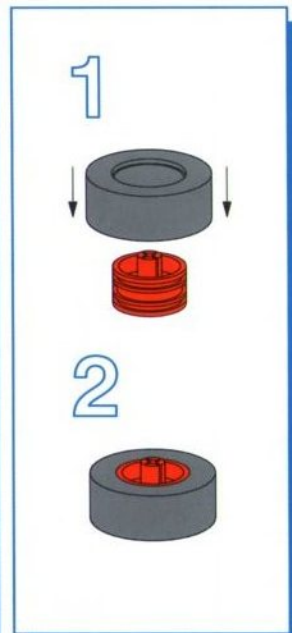
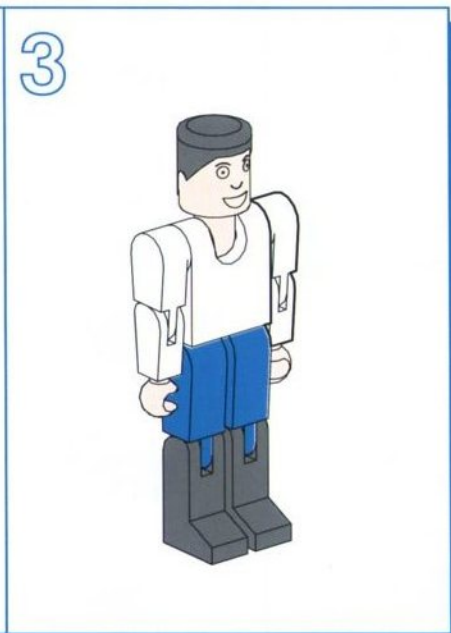
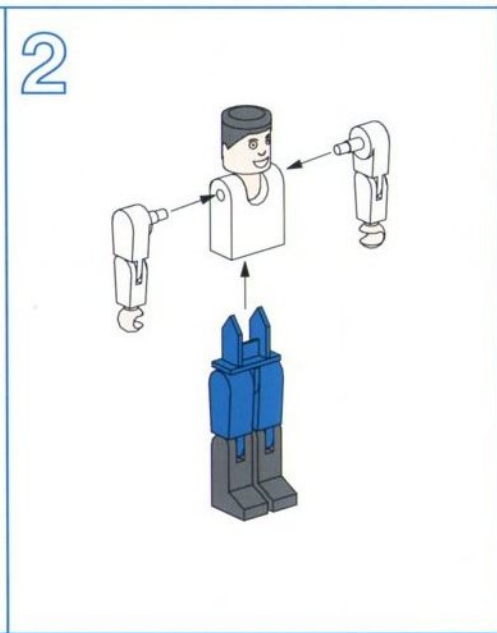
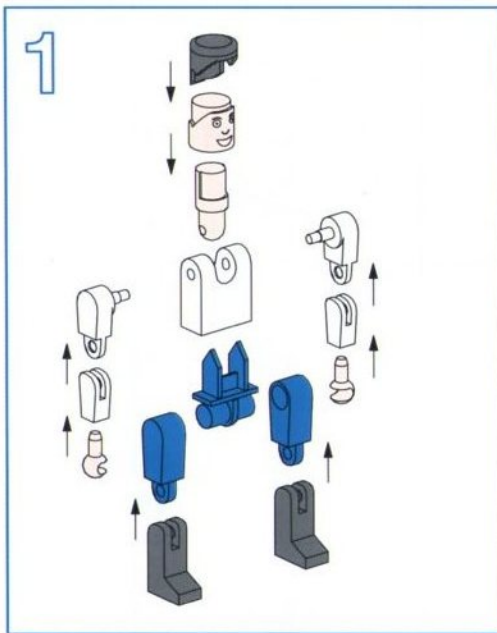
- Alle Einzelteile, insbesondere bewegliche Teile sind falls notwendig zu warten und zu reinigen.
- All components, especially moving parts, should be maintained and cleaned as necessary.
- Toutes les pièces détachées et en particulier les pièces mobiles, sont, si nécessaire, à entretenir et à nettoyer.
- Alle onderdelen, vooral de bewegende delen, kunnen, indien noodzakelijk, onderhouden en gereinigd worden.
- Es necesario limpiar y mantener en buen estado todas las diferentes piezas – especialmente las piezas móviles.
- Provvedere all'occorrenza alla manutenzione e alla pulizia di tutti i particolari, specialmente le parti mobili.

Einzelteilübersicht  
Spare parts list  
Liste des pieces

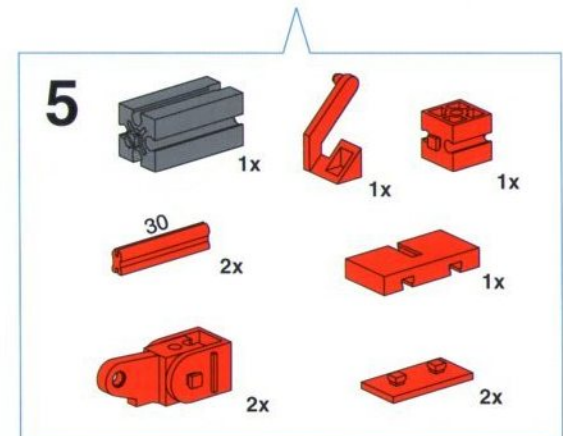
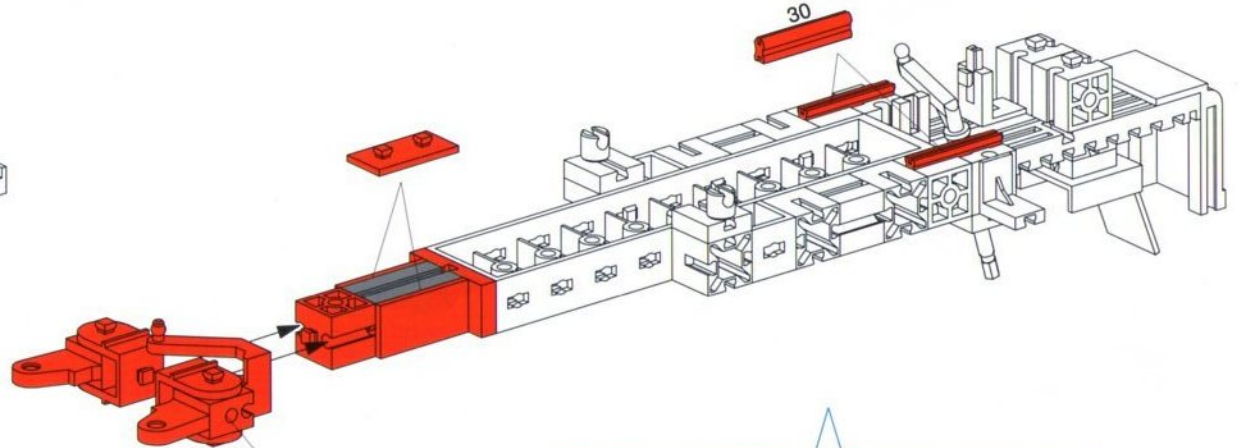
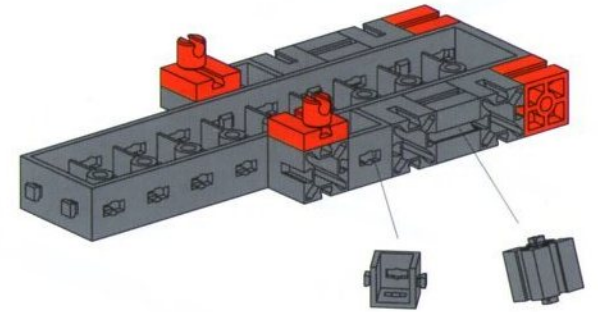
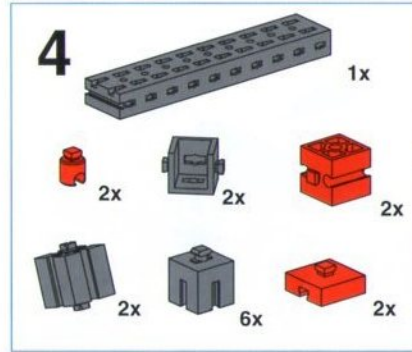
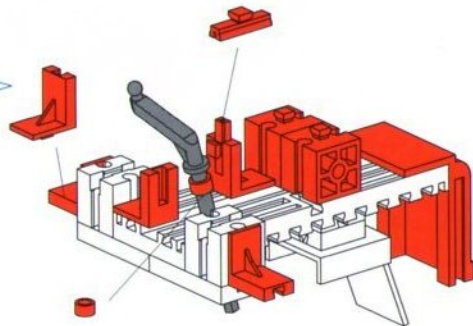
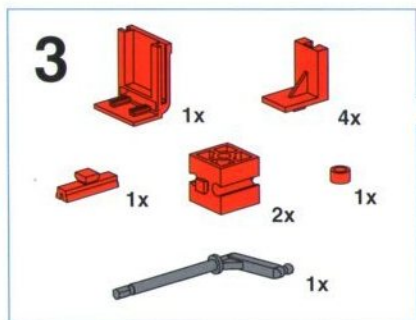
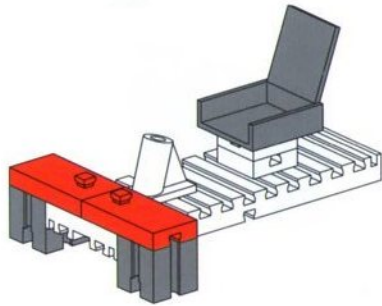
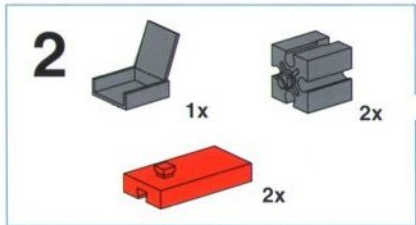
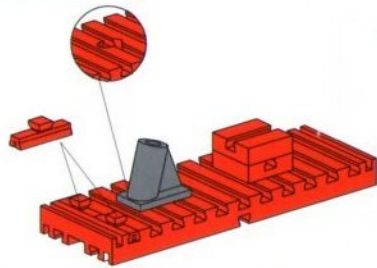
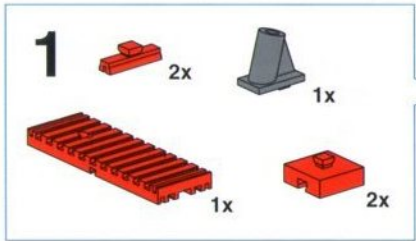
Onderdelenoverzicht  
Lista de piezas  
Lista dei pezzi

|   |              |   |              |   |              |   |              |   |              |
|---|--------------|---|--------------|---|--------------|---|--------------|---|--------------|
|    | 31010<br>2x  |    | 31330<br>2x  |     | 31888<br>4x  |    | 32321<br>2x  |    | 32881<br>11x |
|    | 31011<br>3x  |    | 31422<br>10x |    | 31894<br>2x  |    | 32330<br>8x  |    | 32882<br>5x  |
|    | 31013<br>4x  |    | 31426<br>4x  |    | 31905<br>1x  |    | 32850<br>6x  |    | 32883<br>6x  |
|    | 31021<br>1x  |    | 31436<br>4x  |    | 31909<br>1x  |    | 32852<br>1x  |    | 32913<br>6x  |
|    | 31024<br>1x  |    | 31597<br>14x |    | 31915<br>2x  |    | 32854<br>1x  |    | 35031<br>1x  |
|    | 31058<br>1x  |    | 31614<br>1x  |     | 31916<br>1x  |    | 32855<br>2x  |    | 35033<br>1x  |
|  | 31060<br>8x  |  | 31667<br>1x  |   | 31918<br>1x  |   | 32857<br>8x  |  | 35049<br>8x  |
|  | 31061<br>12x |  | 31690<br>2x  |  | 31982<br>20x |  | 32859<br>8x  |  | 35050<br>2x  |
|  | 31263<br>1x  |  | 31766<br>2x  |  | 31983<br>11x |  | 32870<br>15x |  | 35063<br>5x  |
|  | 31264<br>1x  |  | 31843<br>2x  |  | 32064<br>7x  |  | 32879<br>10x |  | 35064<br>5x  |

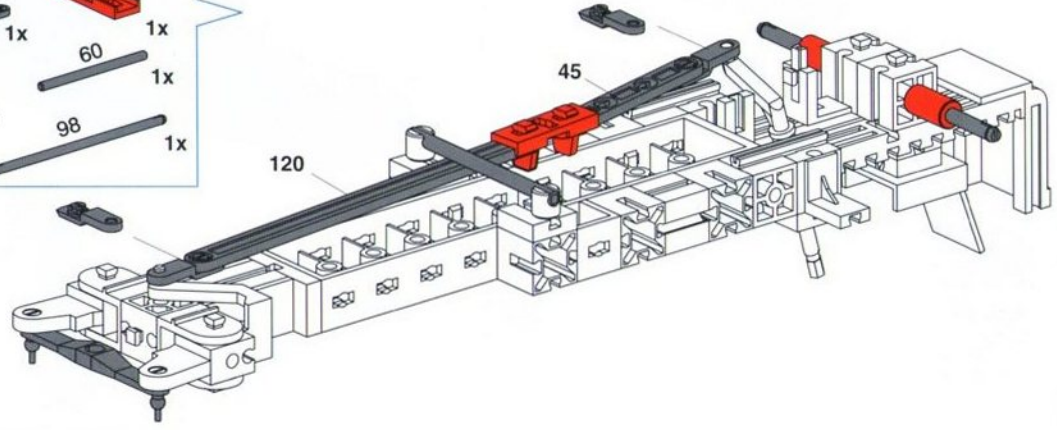
|   |             |   |              |   |              |   |             |   |              |
|---|-------------|---|--------------|---|--------------|---|-------------|---|--------------|
|    | 35065<br>2x |    | 35980<br>25x |     | 36913<br>1x  |    | 37636<br>2x |    | 38415<br>2x  |
|    | 35066<br>2x |    | 35998<br>2x  |    | 36914<br>2x  |    | 37679<br>5x |    | 38416<br>6x  |
|    | 35067<br>2x |    | 36227<br>14x |    | 36920<br>4x  |    | 38236<br>2x |    | 38423<br>12x |
|    | 35073<br>4x |    | 36323<br>4x  |     | 36921<br>2x  |    | 38240<br>6x |    | 38428<br>4x  |
|    | 35088<br>2x |    | 36334<br>3x  |    | 36922<br>4x  |    | 38241<br>9x |    | 38446<br>2x  |
|    | 35113<br>1x |    | 36702<br>2x  |     | 36924<br>1x  |    | 38242<br>4x |    | 38464<br>3x  |
|   | 35414<br>5x |    | 36703<br>4x  |   | 36950<br>4x  |   | 38245<br>2x |   | 36370<br>2x  |
|  | 35806<br>1x |  | 36819<br>22x |  | 37237<br>21x |  | 38246<br>6x |  | 37033<br>1x  |
|   |             |  | 36906<br>2x  |  | 37238<br>6x  |  | 38251<br>1x |   |              |
|  | 35979<br>2x |  | 36912<br>1x  |  | 37468<br>14x |  | 38263<br>2x |   |              |



# Dragster

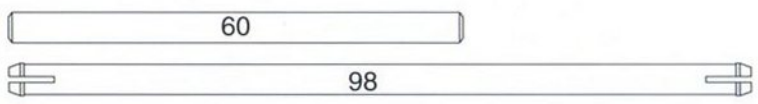
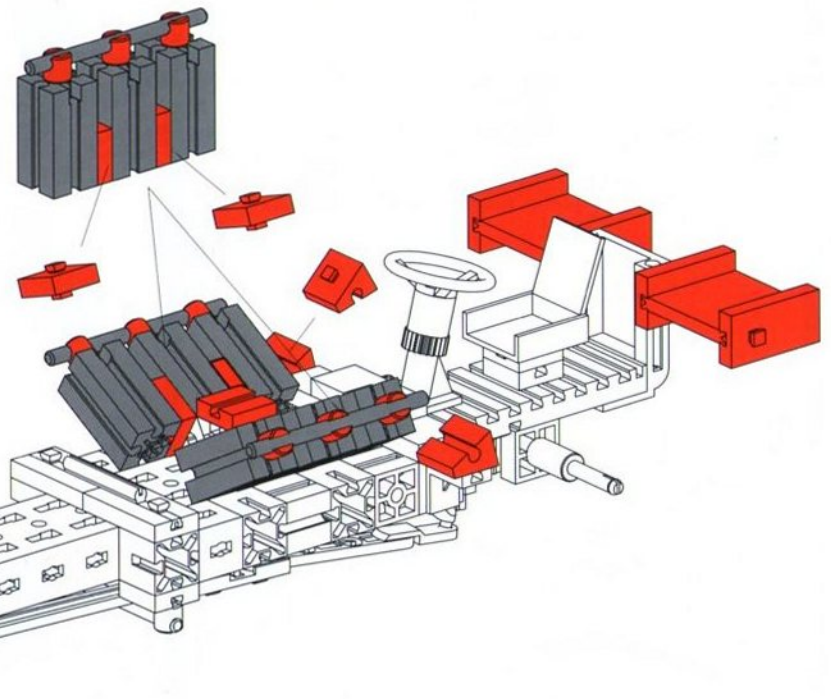
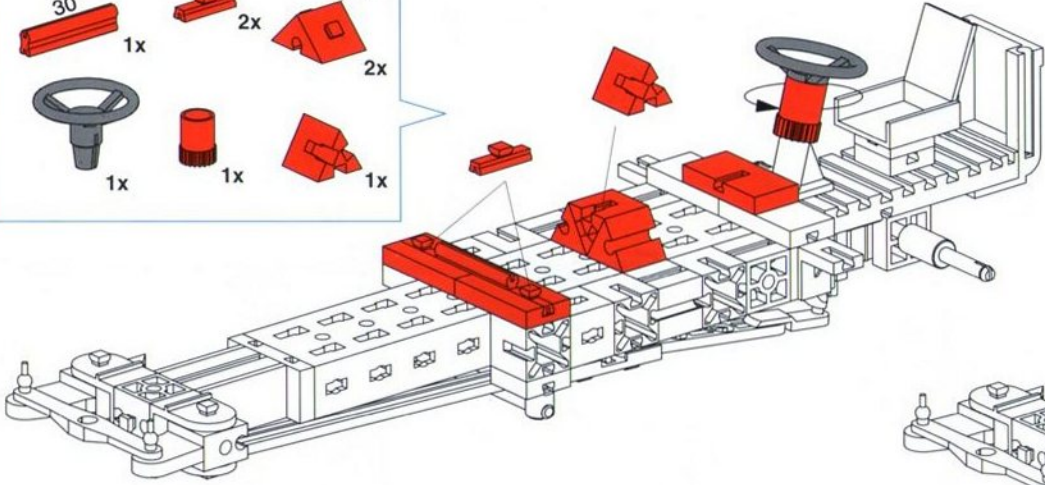


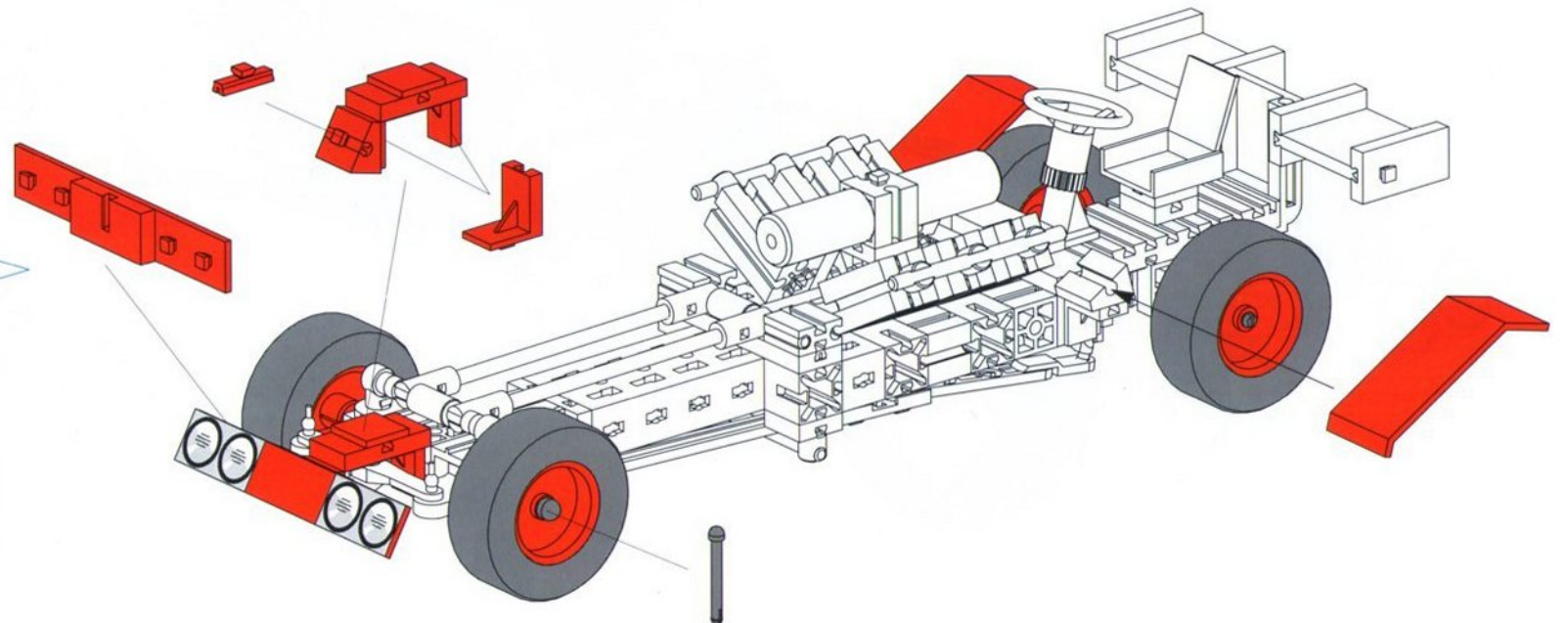
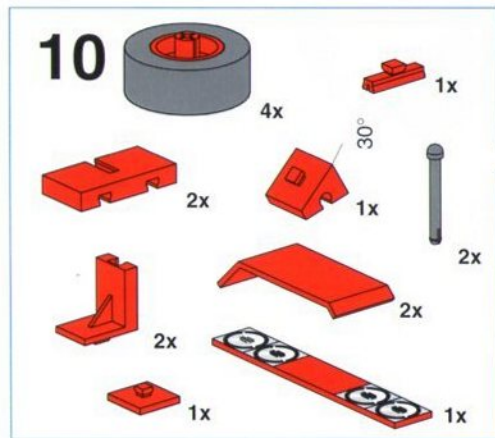
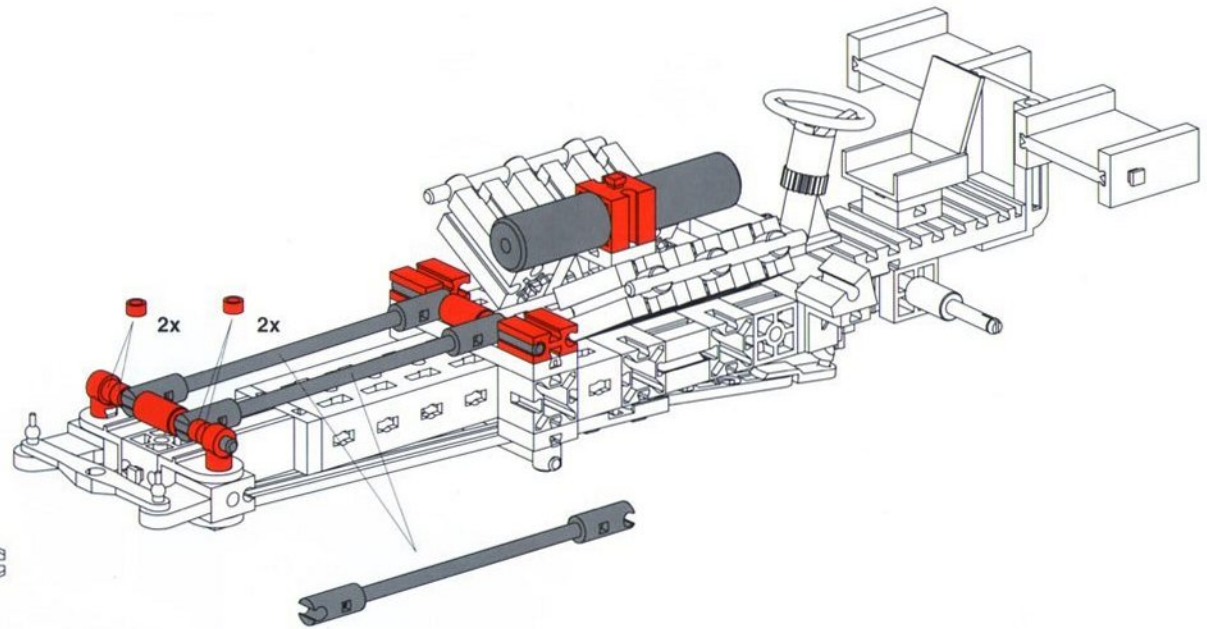
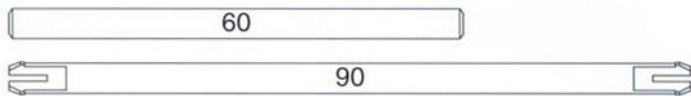
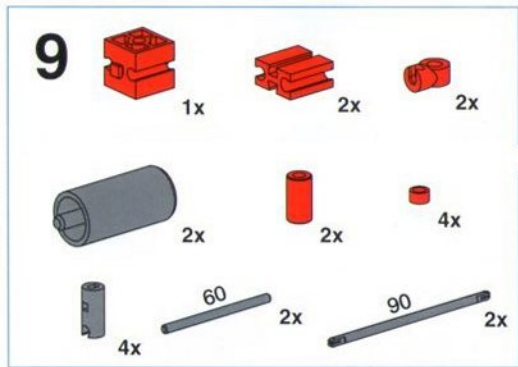
- 6**
- 2x [Red Pin]
  - 1x [Grey Technic Beam 120]
  - 2x [Grey Technic Pin]
  - 1x [Red Technic Beam 1x6]
  - 1x [Grey Technic Pin]
  - 1x [Grey Technic Beam 60]
  - 1x [Grey Technic Pin]
  - 1x [Grey Technic Beam 45]
  - 1x [Grey Technic Pin]
  - 1x [Grey Technic Beam 98]
  - 2x [Red Pin]



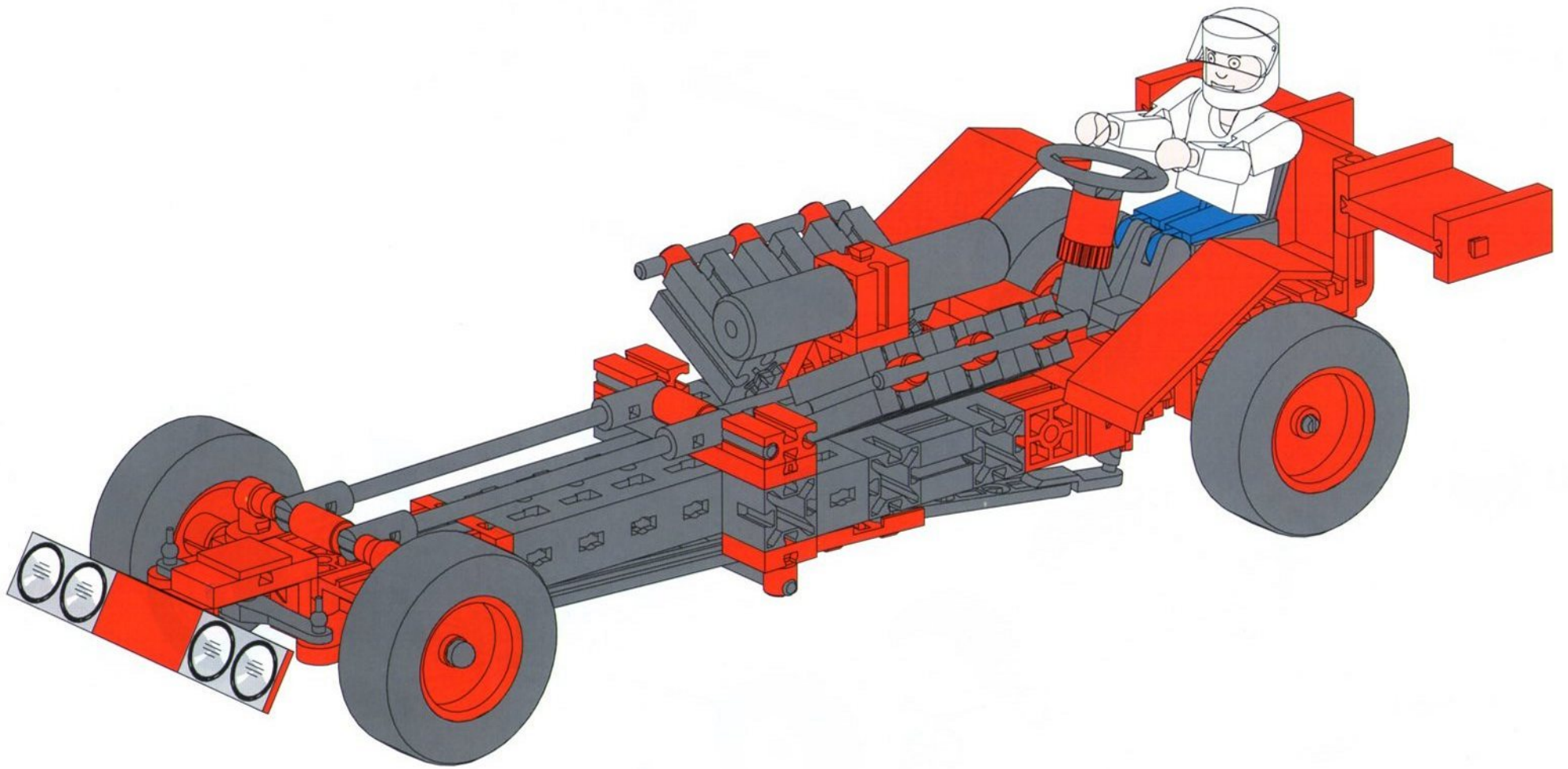
- 8**
- 6x [Grey Technic Beam 6]
  - 4x [Red Technic Pin]
  - 1x [Red Technic Beam 1x6]
  - 2x [Red Technic Beam 1x6]
  - 6x [Red Pin]
  - 4x [Red Technic Beam 1x6]
  - 2x [Red Technic Beam 1x6]
  - 2x [Grey Technic Beam 60]

- 7**
- 1x [Red Technic Beam 1x6]
  - 2x [Red Technic Beam 1x6]
  - 1x [Red Technic Beam 30]
  - 2x [Red Technic Pin]
  - 2x [Red Technic Beam 60]
  - 1x [Red Technic Beam 1x6]
  - 1x [Red Pin]
  - 1x [Red Technic Pin]
  - 1x [Red Technic Pin]
  - 1x [Red Technic Pin]
  - 1x [Red Technic Pin]







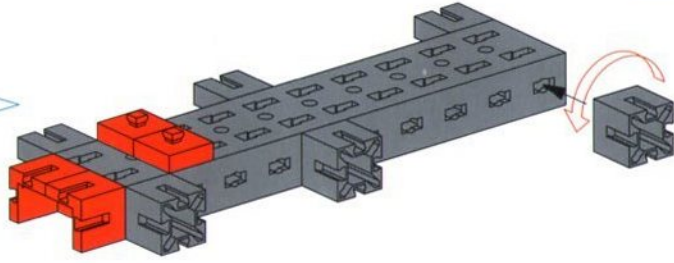


# Truck



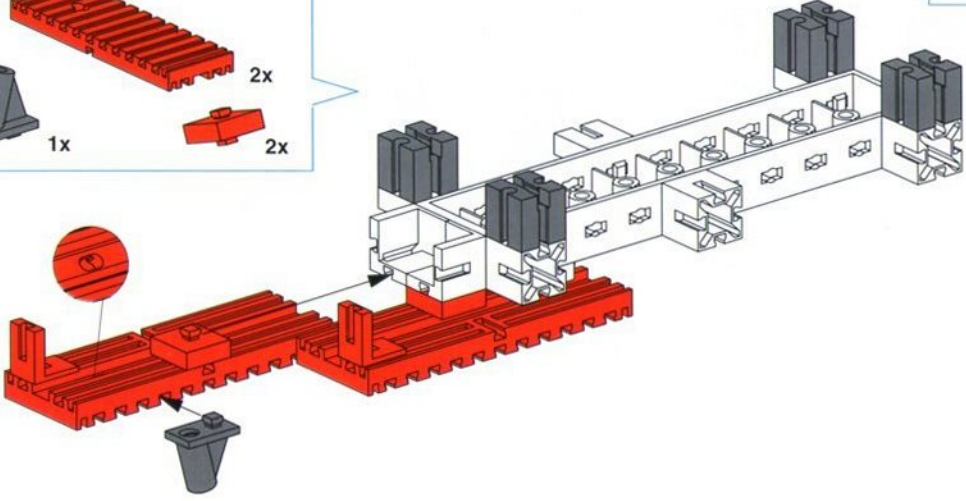
**1**

- 6x Grey Technic Axle Connector
- 2x Red Technic L-Shape
- 1x Grey Technic Axle Connector
- 2x Red Technic L-Shape



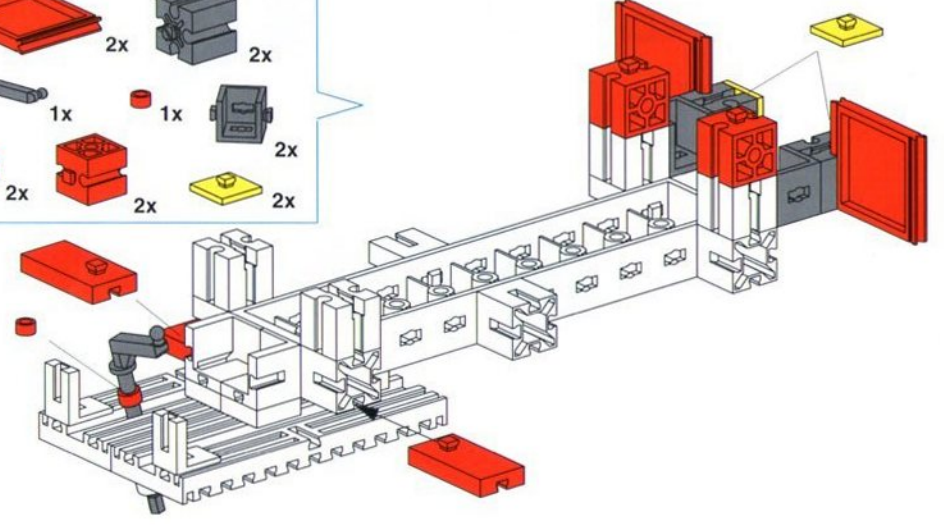
**2**

- 4x Grey Technic Axle Connector
- 2x Red Technic L-Shape
- 2x Red Technic L-Shape
- 1x Grey Technic Axle Connector
- 2x Red Technic L-Shape



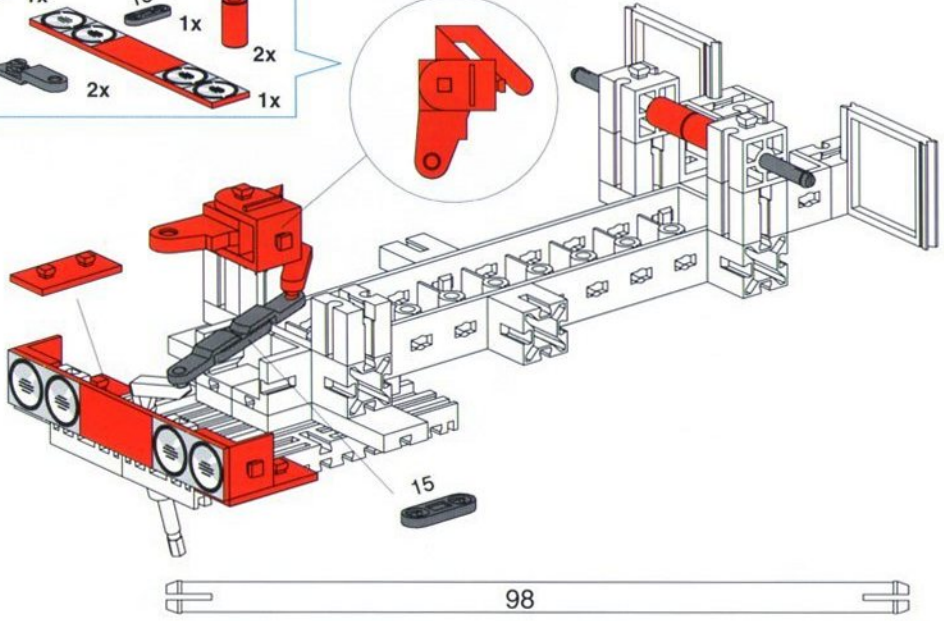
**3**

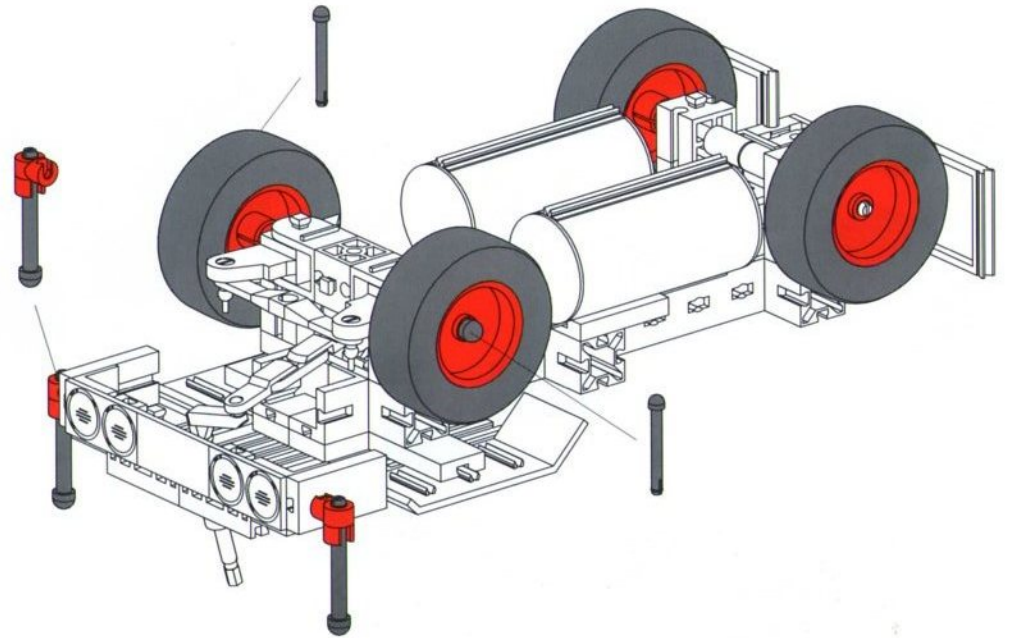
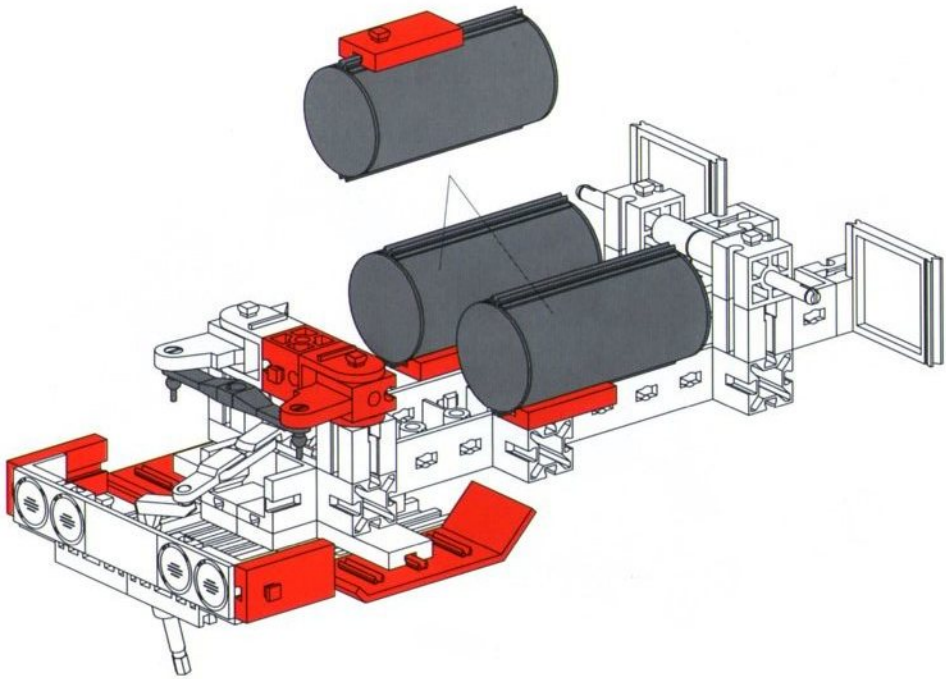
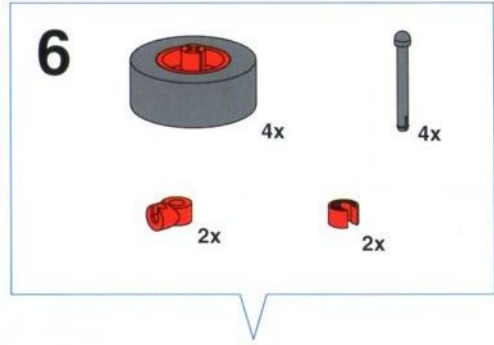
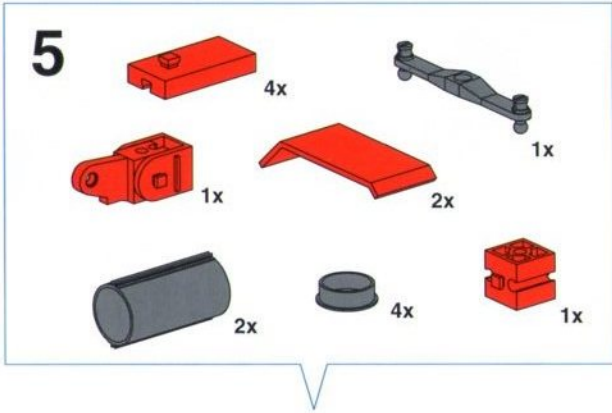
- 2x Red Technic L-Shape
- 2x Grey Technic Axle Connector
- 1x Grey Technic Axle Connector
- 1x Red Technic L-Shape
- 2x Red Technic L-Shape
- 1x Red Technic L-Shape
- 2x Yellow Technic L-Shape
- 2x Grey Technic Axle Connector

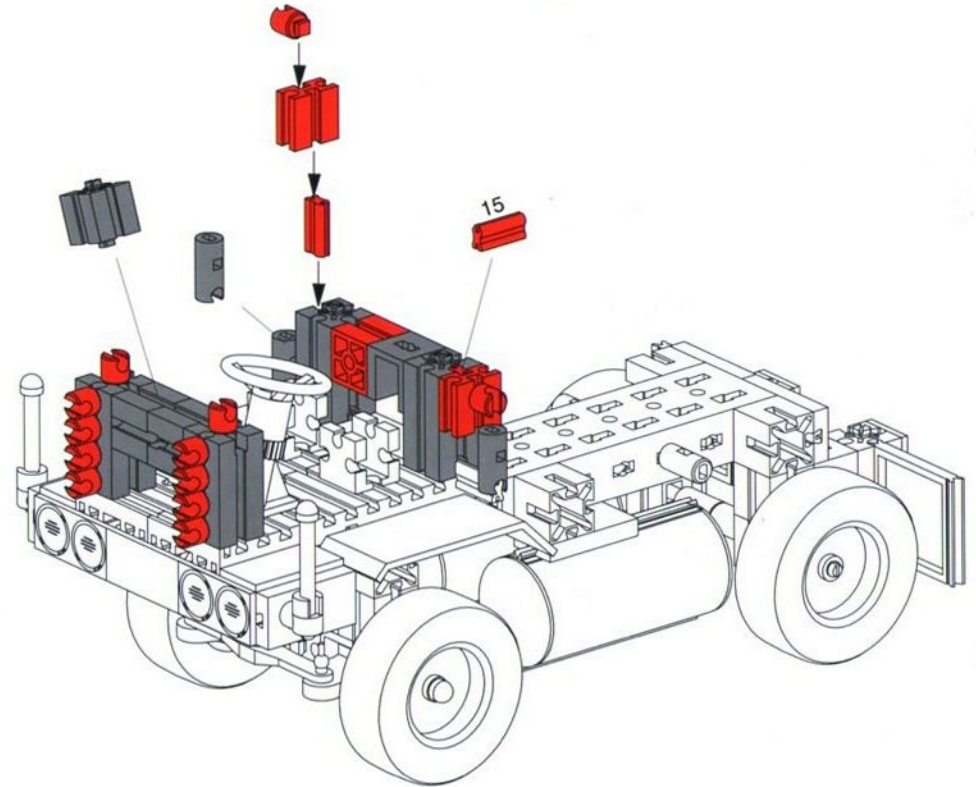
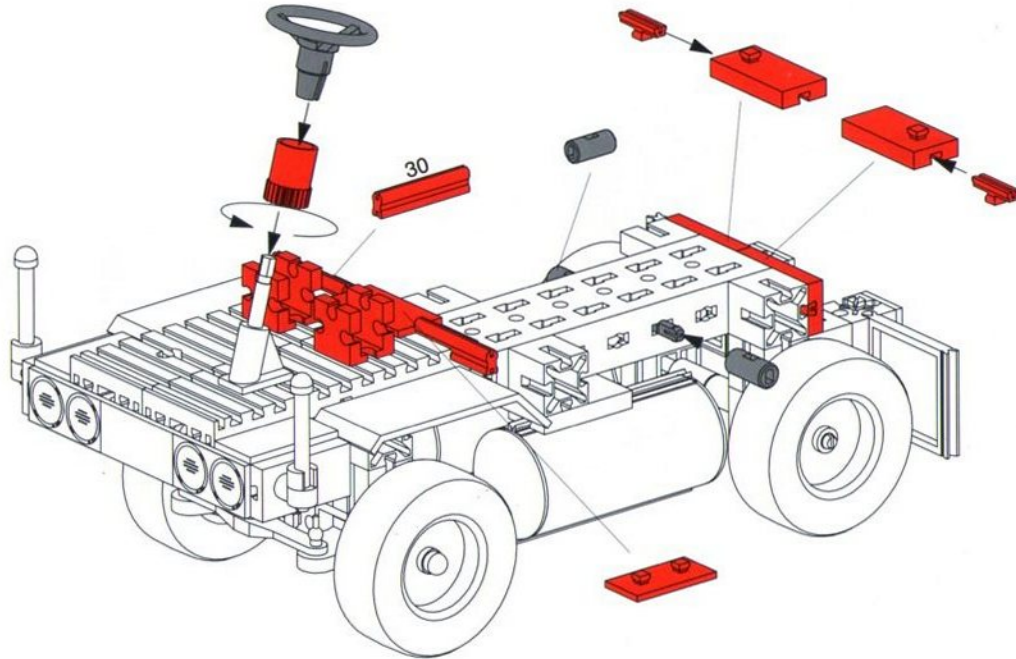
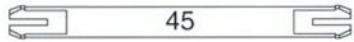
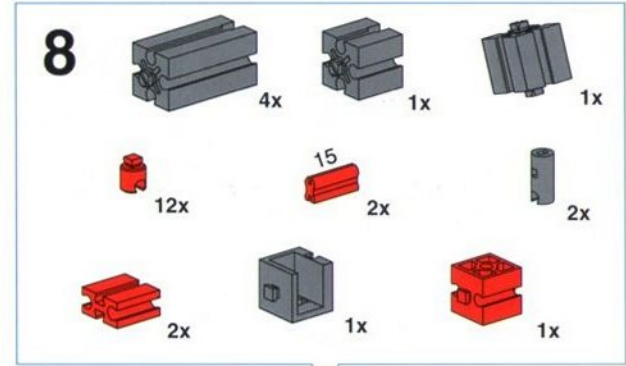
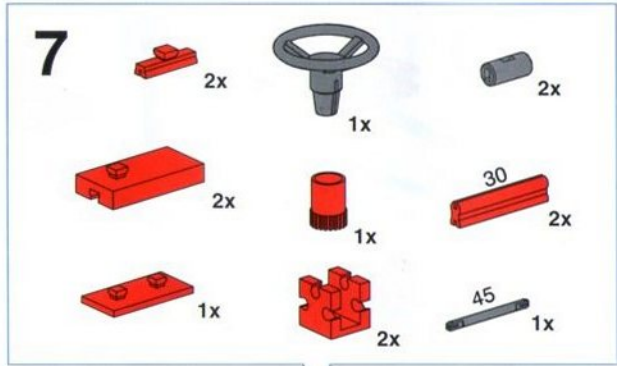


**4**

- 2x Red Technic L-Shape
- 1x Red Technic L-Shape
- 1x Red Technic L-Shape
- 1x Red Technic L-Shape
- 1x Red Technic L-Shape
- 1x Red Technic L-Shape
- 2x Red Technic L-Shape
- 2x Grey Technic Axle Connector
- 1x Red Technic L-Shape
- 1x Red Technic L-Shape
- 1x Red Technic L-Shape

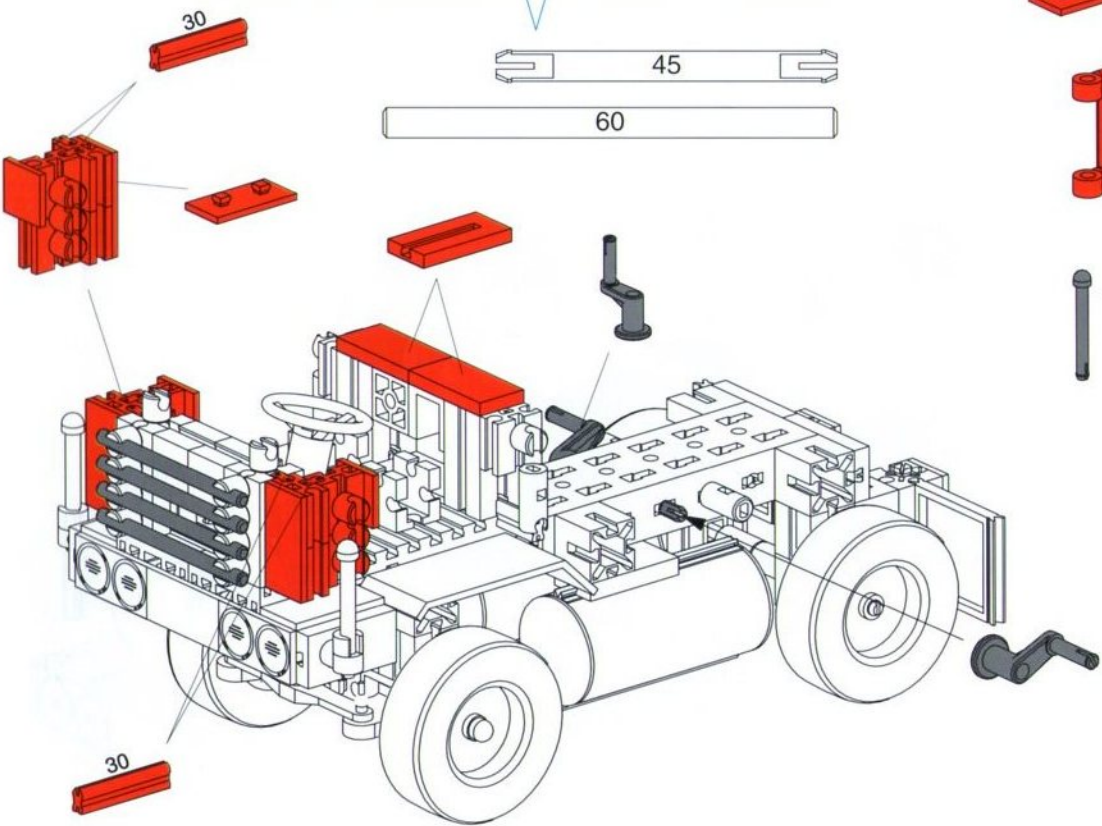






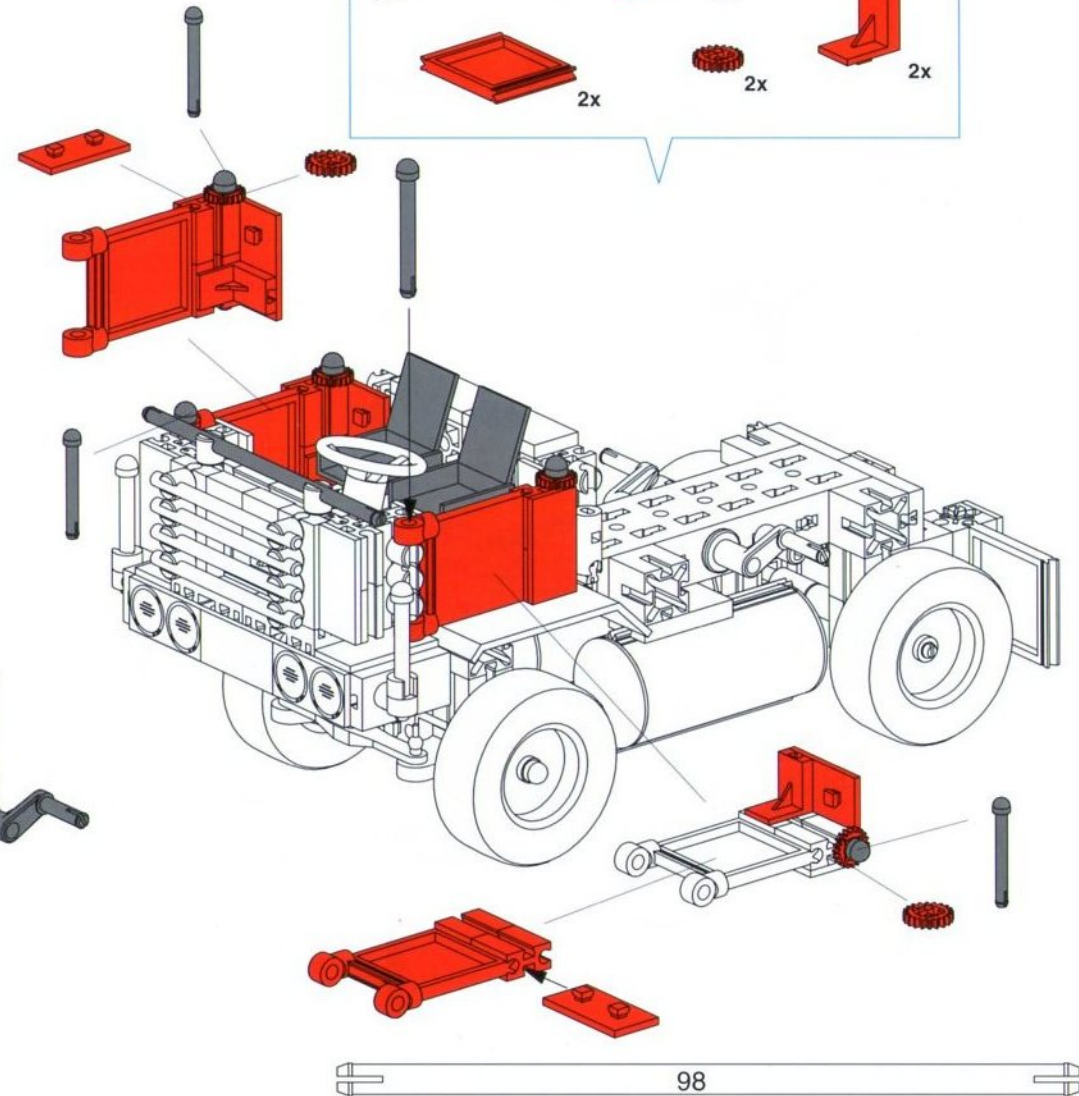
9

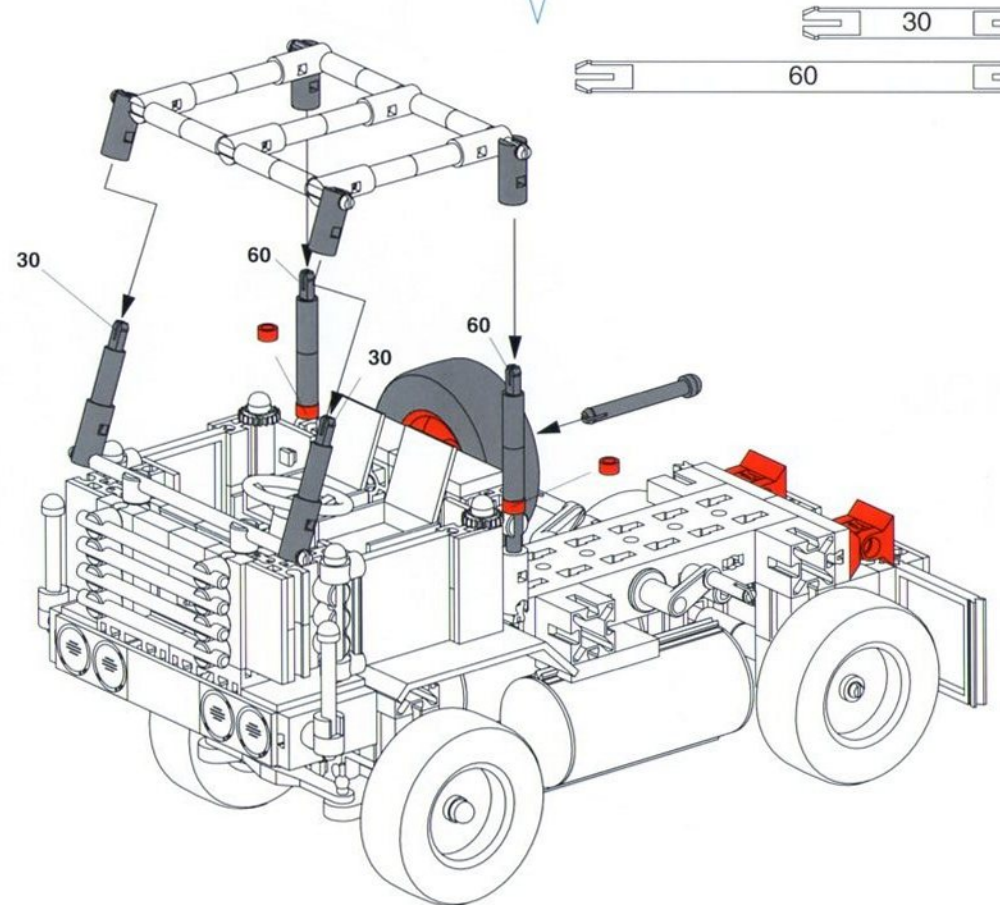
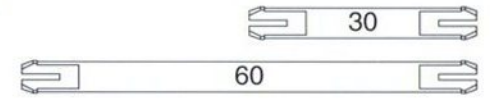
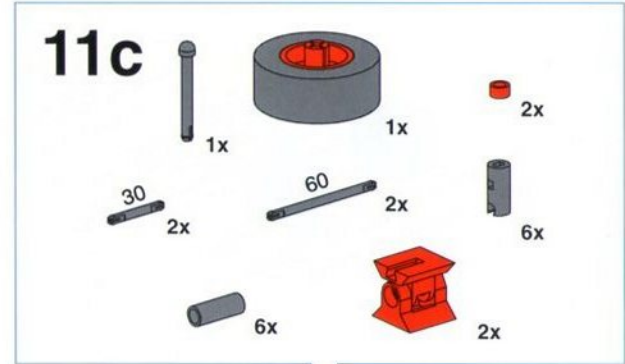
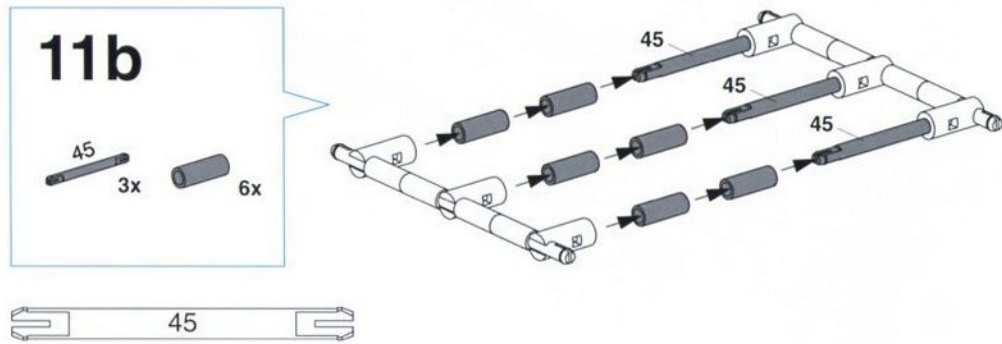
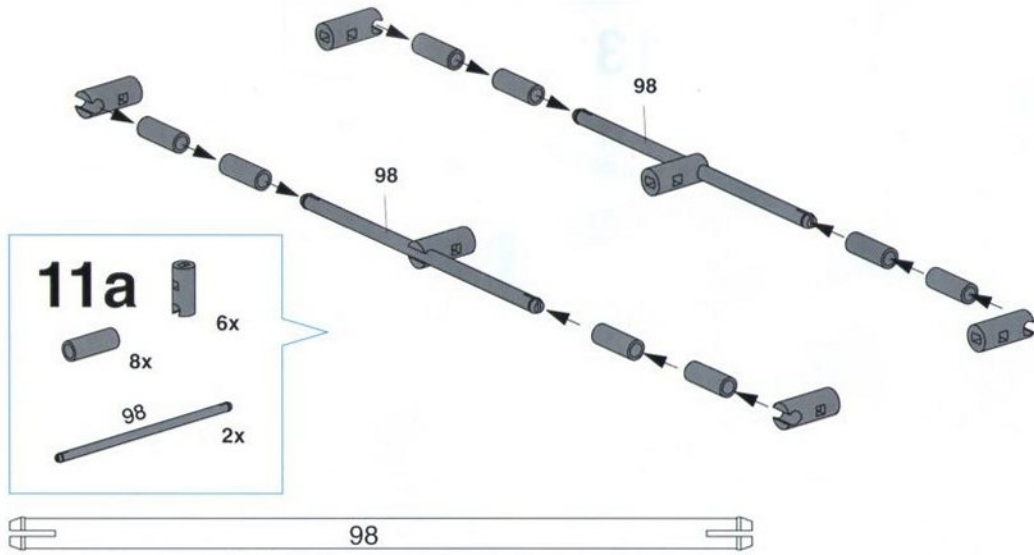
- 8x (Red 1x3 Technic Bricks)
- 2x (Red 1x2 Technic Bricks)
- 2x (Red 1x4 Technic Bricks)
- 2x (Red 1x6 Technic Bricks)
- 4x (Red 1x3 Technic Bricks with Groove)
- 2x (Grey Technic L-Shape)
- 1x (Grey Technic Pin)
- 4x (Grey Technic Pin)
- 6x (Red Technic Pin)

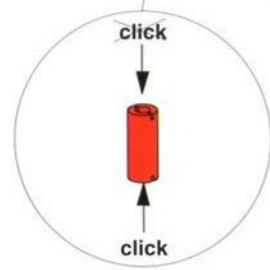
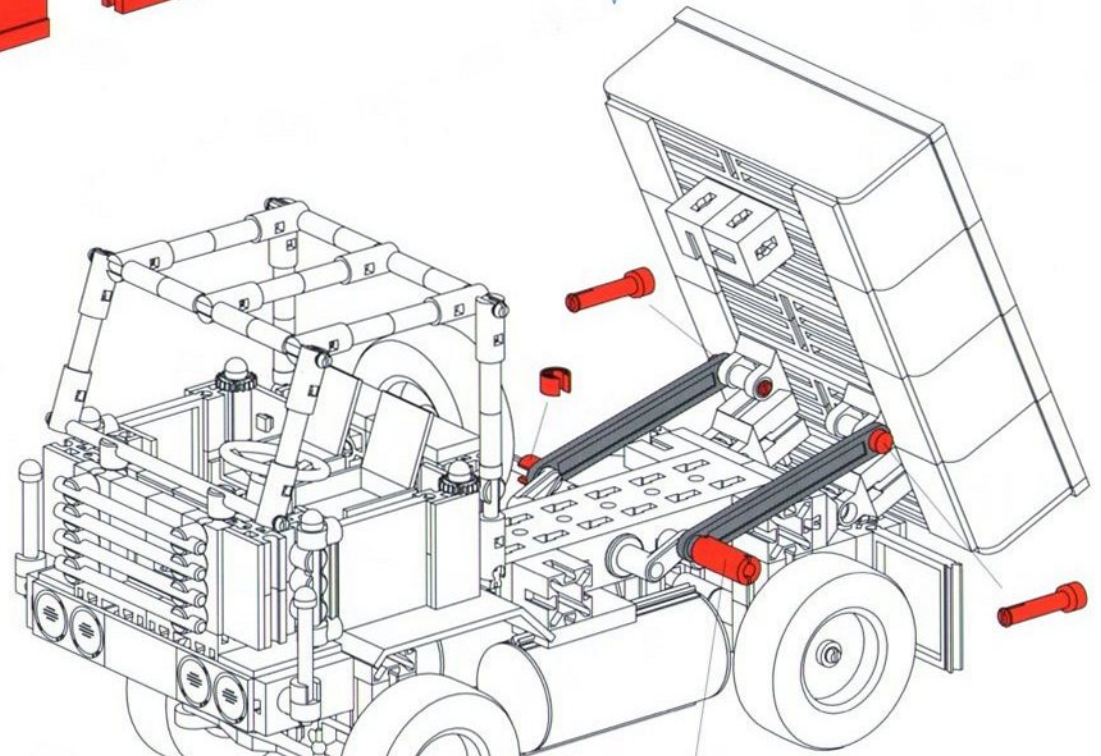
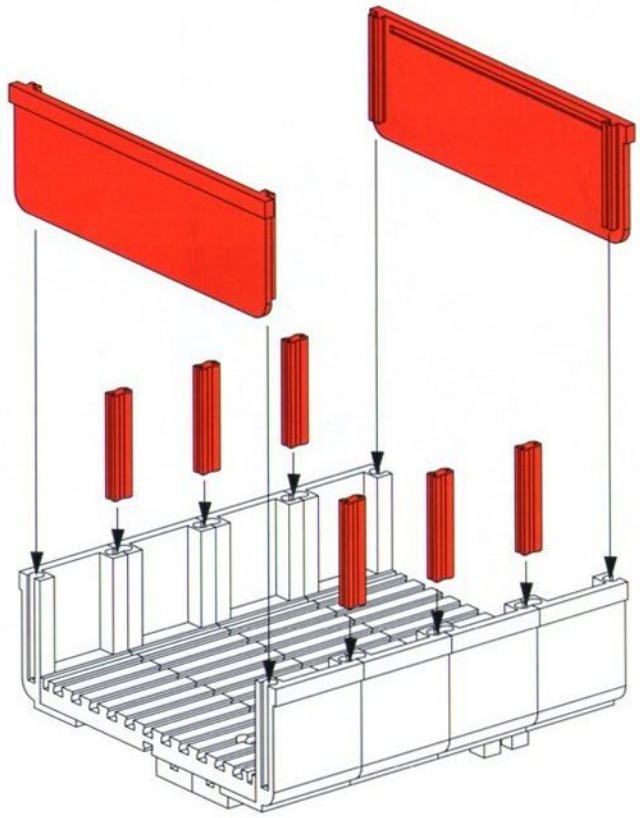
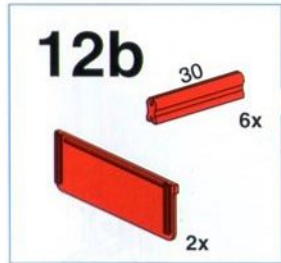
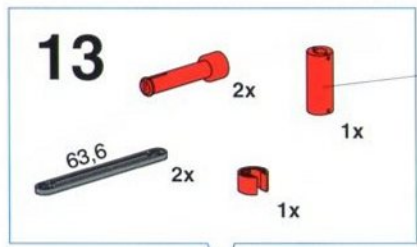
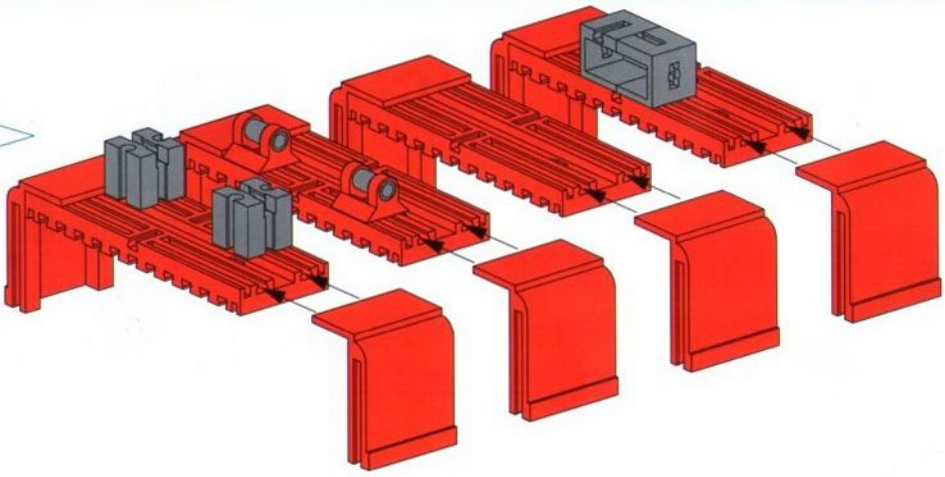
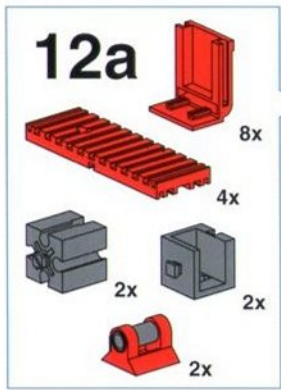


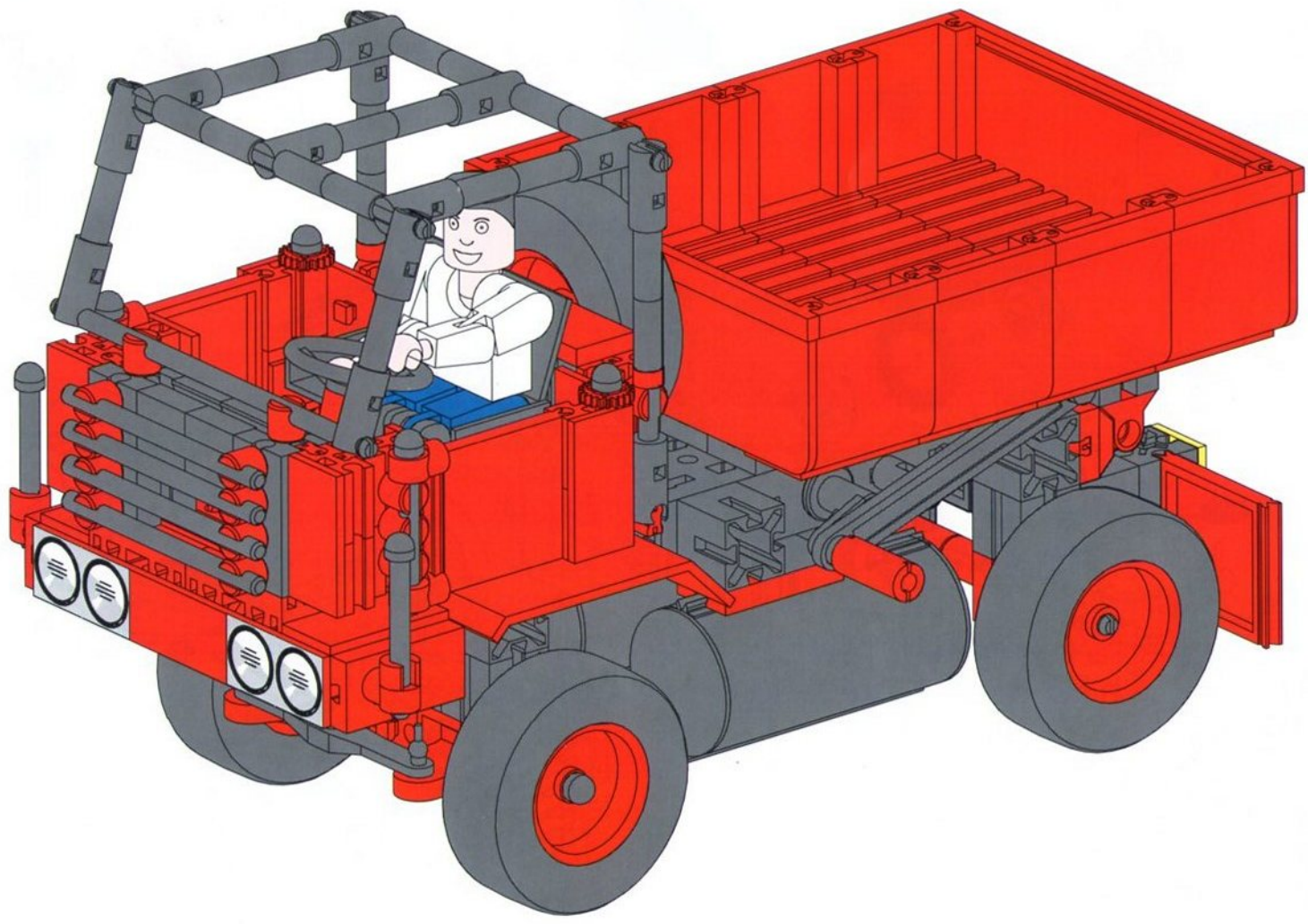
10

- 4x (Red 1x3 Technic Bricks)
- 4x (Red Technic Pin)
- 4x (Grey Technic Pin)
- 2x (Grey Technic L-Shape)
- 1x (Grey Technic Pin)
- 4x (Red 1x2 Technic Bricks)
- 2x (Red 1x4 Technic Bricks)
- 2x (Red Technic Gear)
- 2x (Red Technic L-Shape)

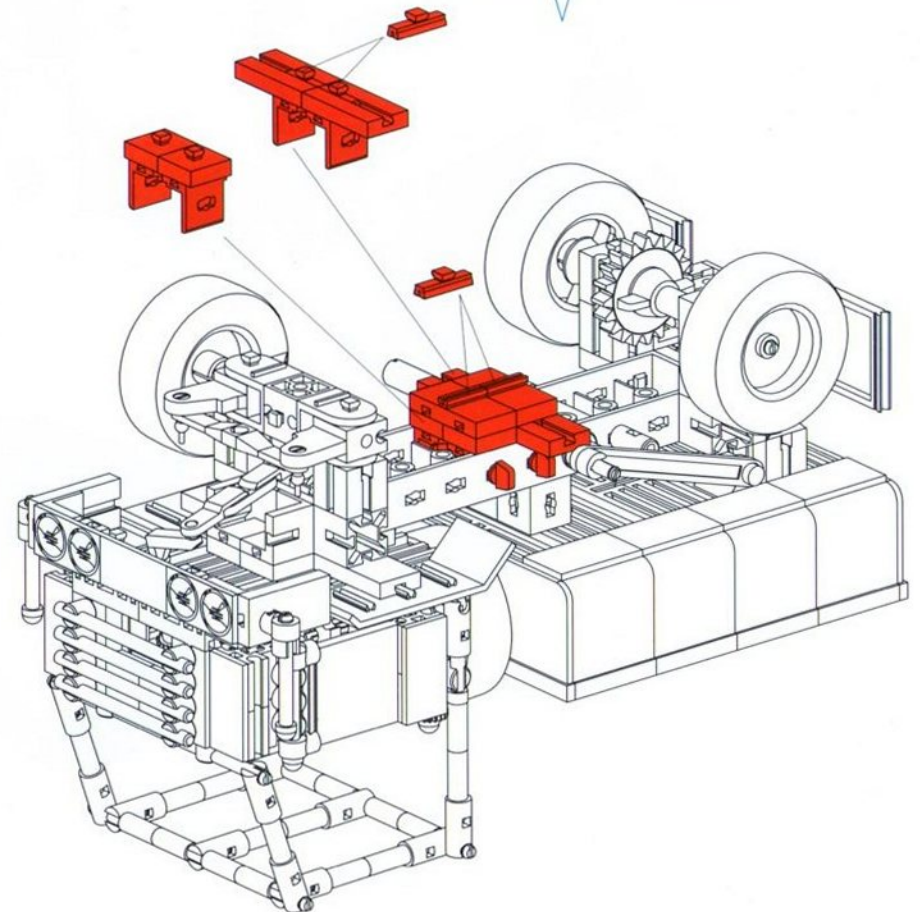
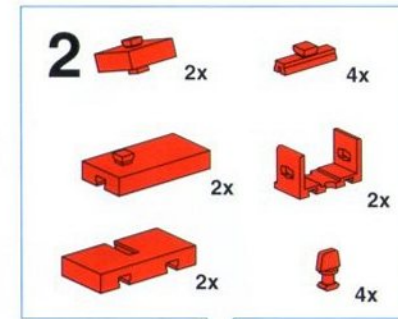
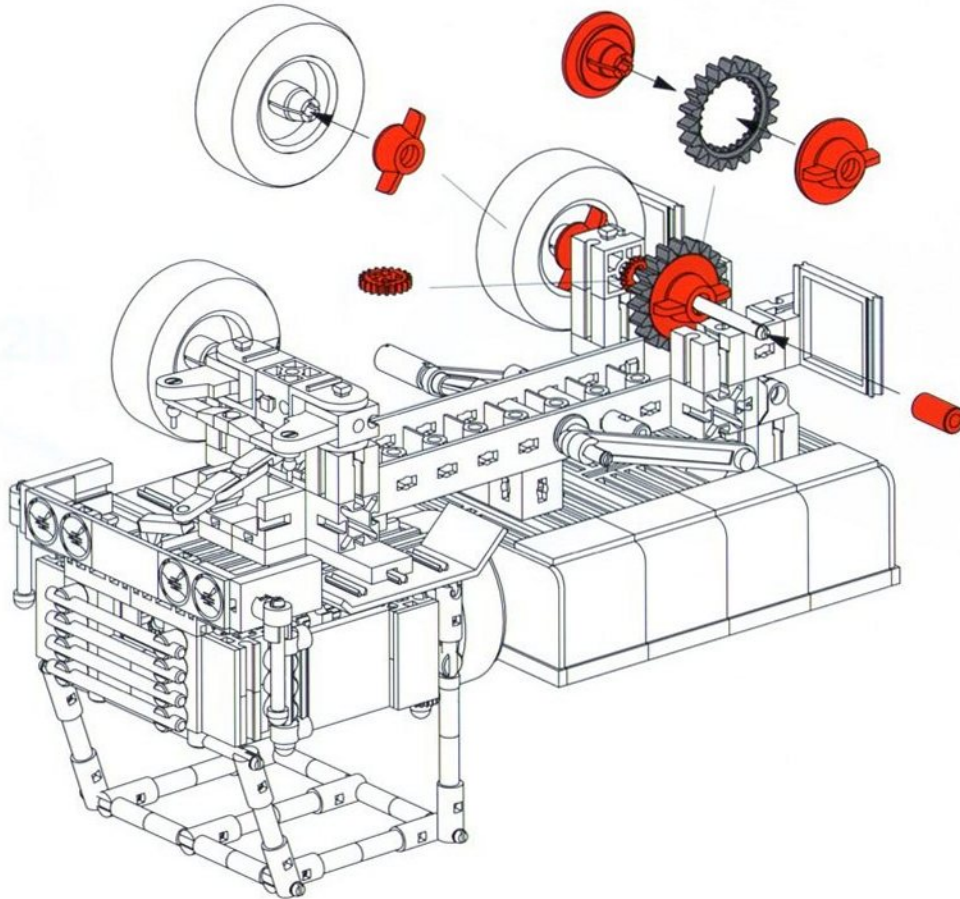
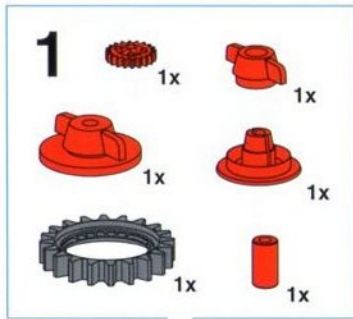


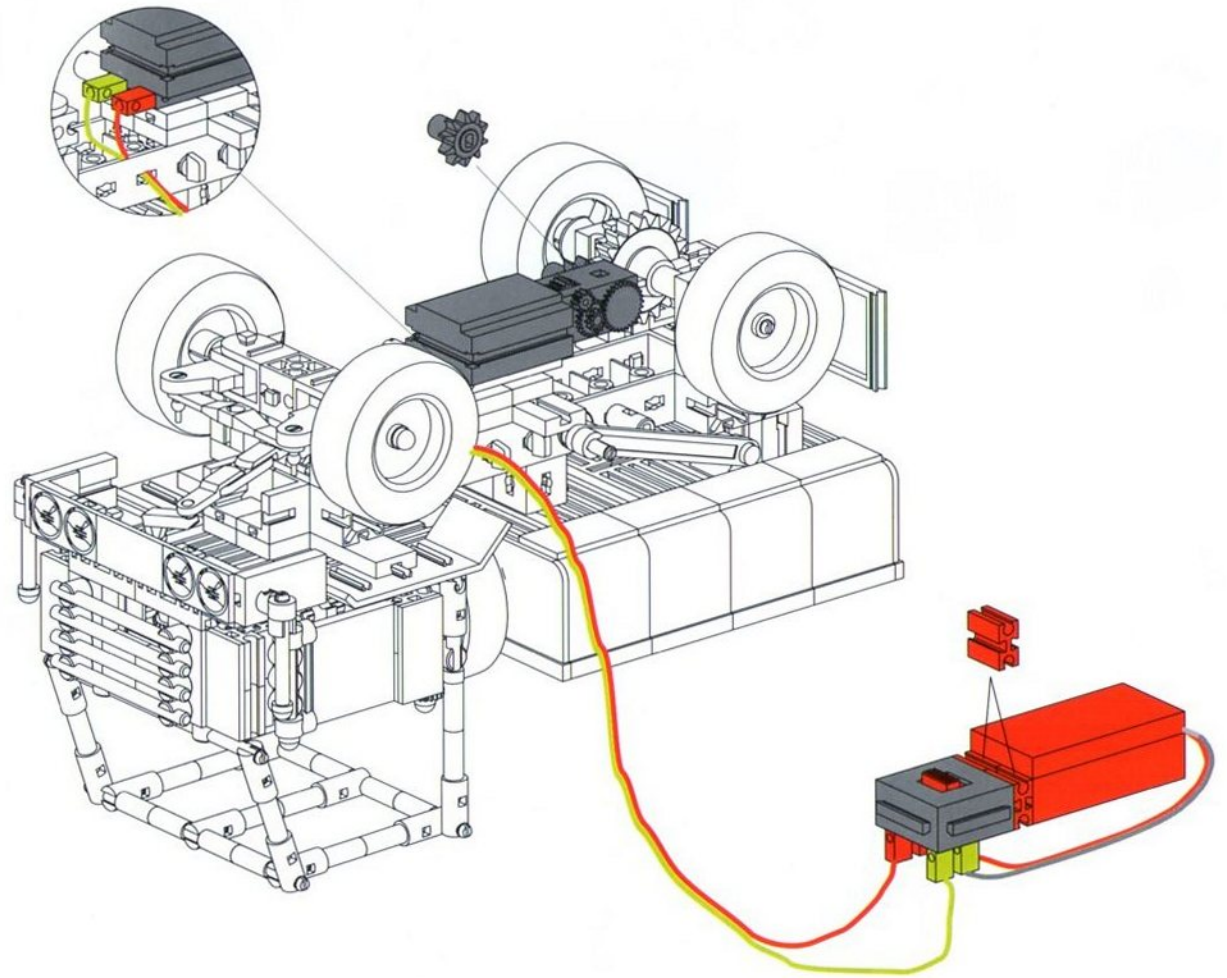
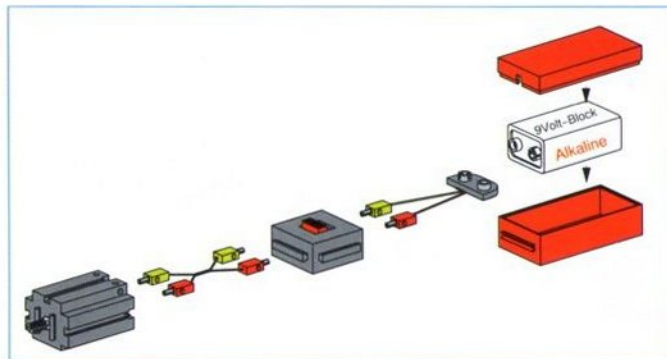
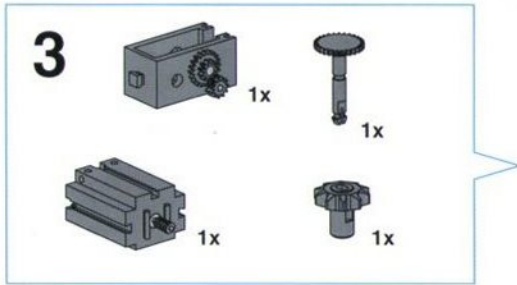


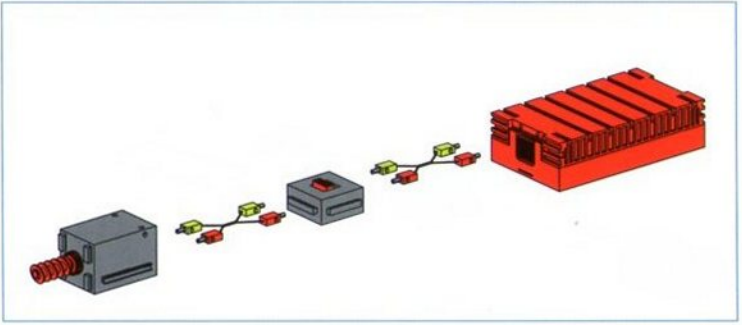
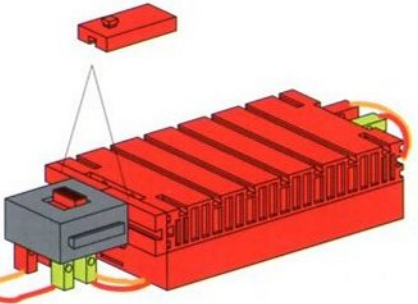
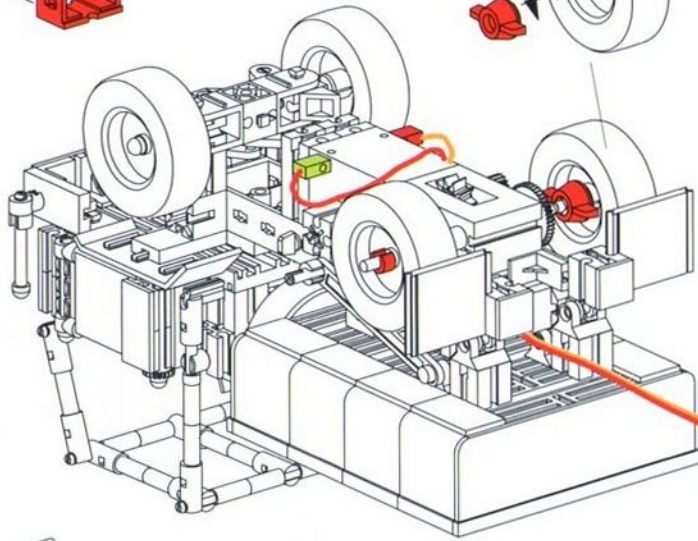
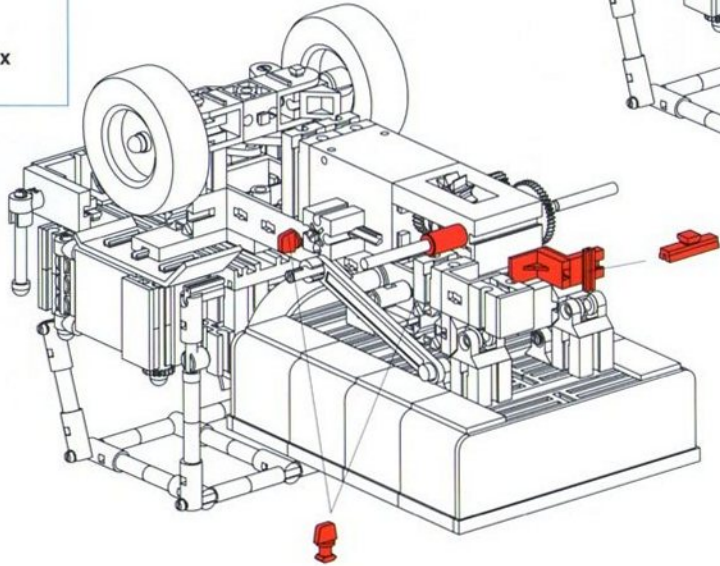
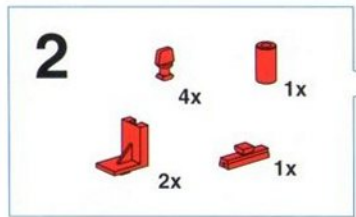
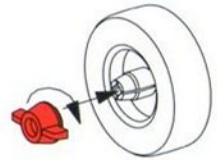
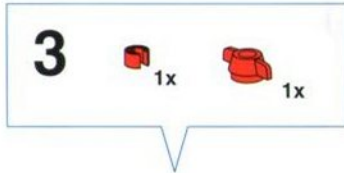
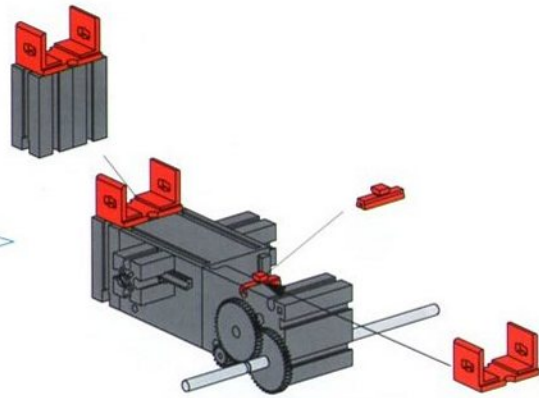
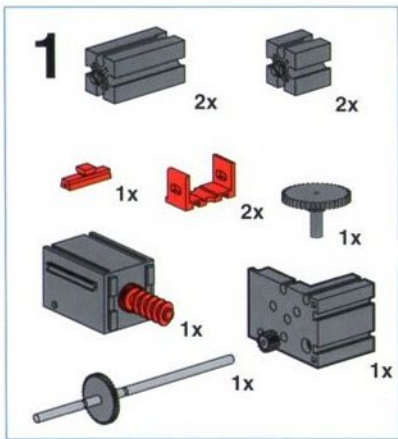




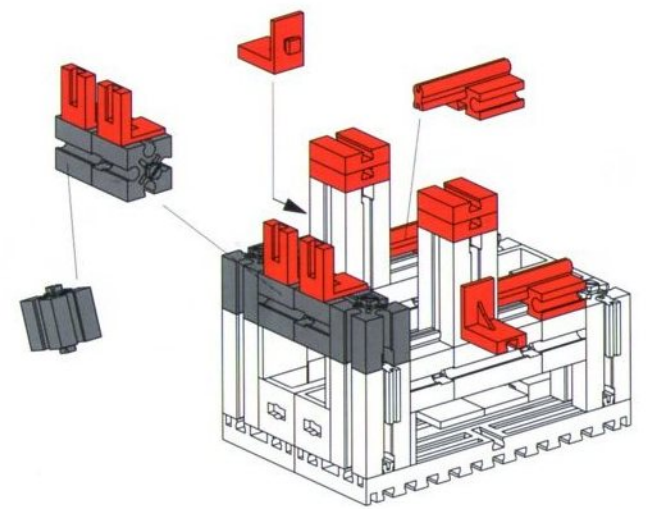
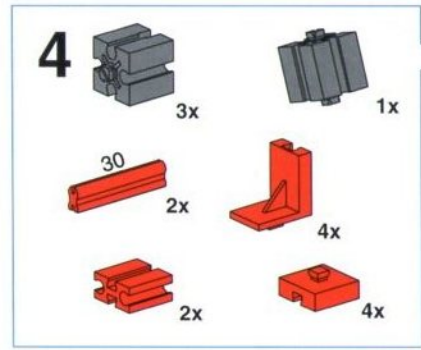
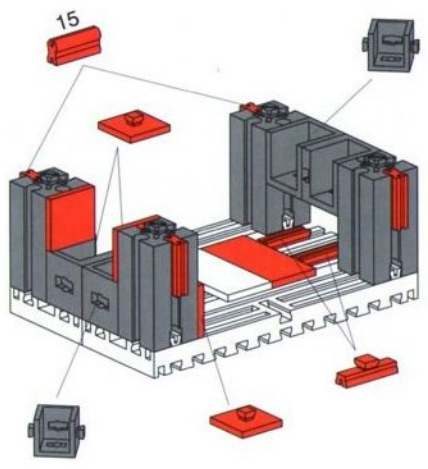
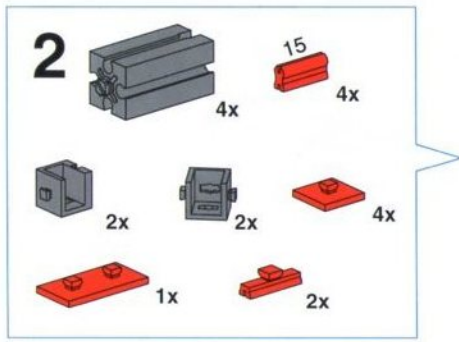
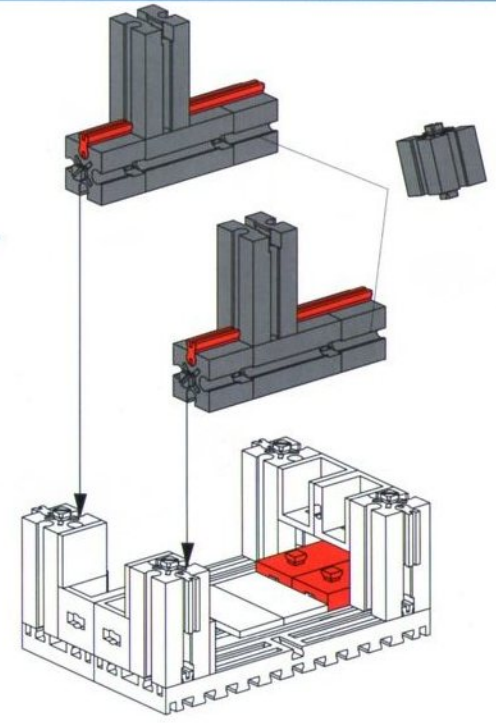
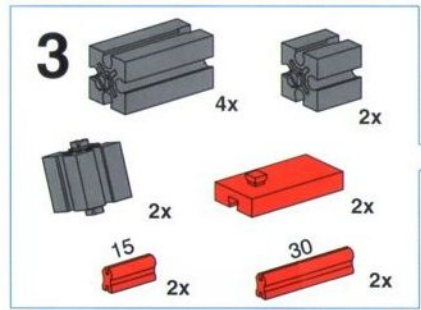
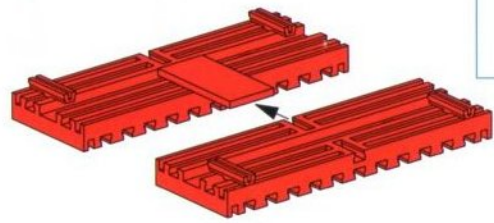
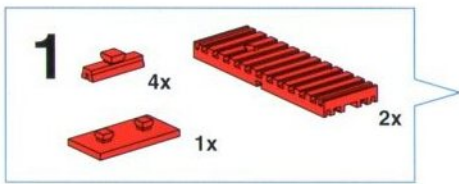


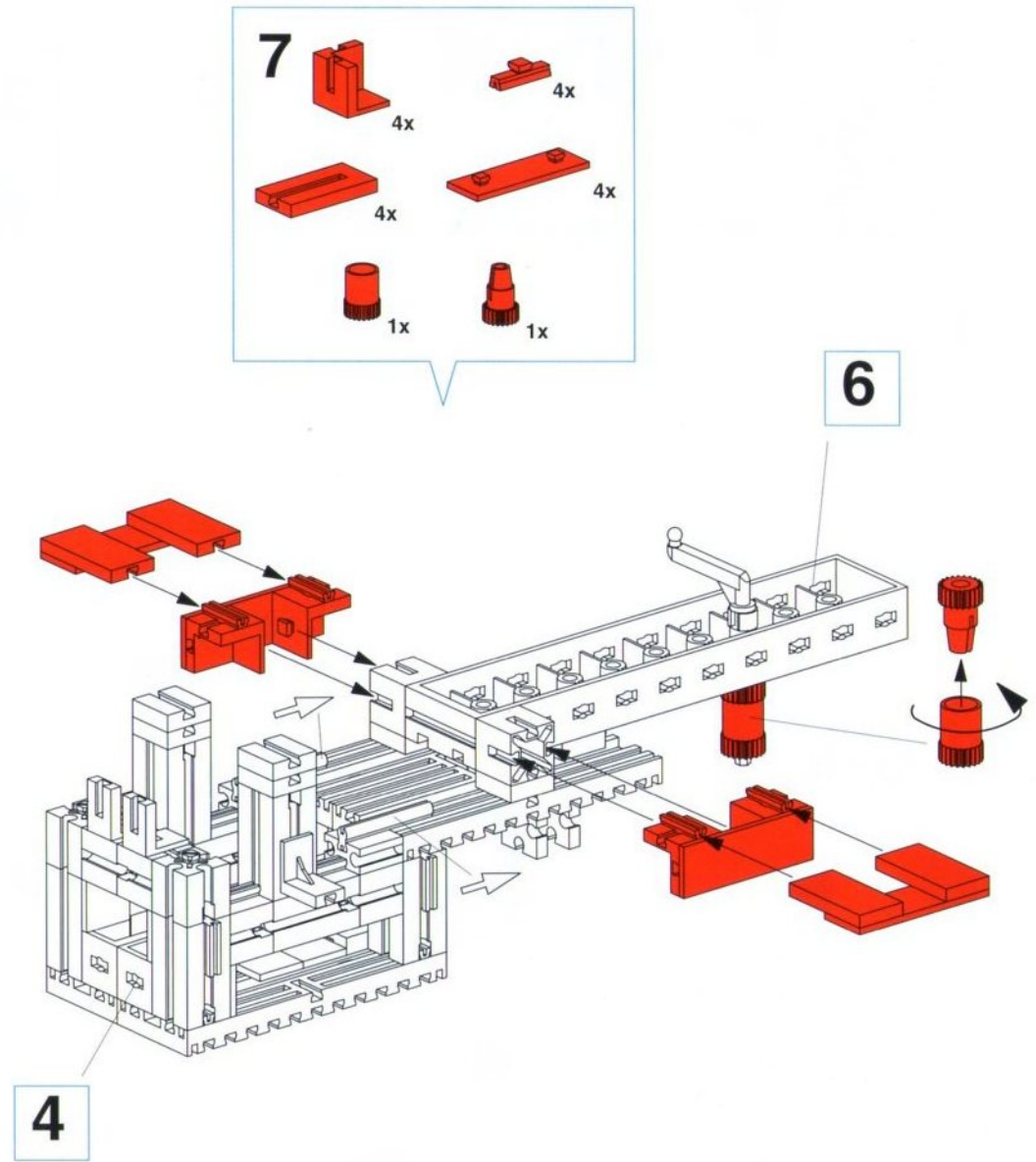
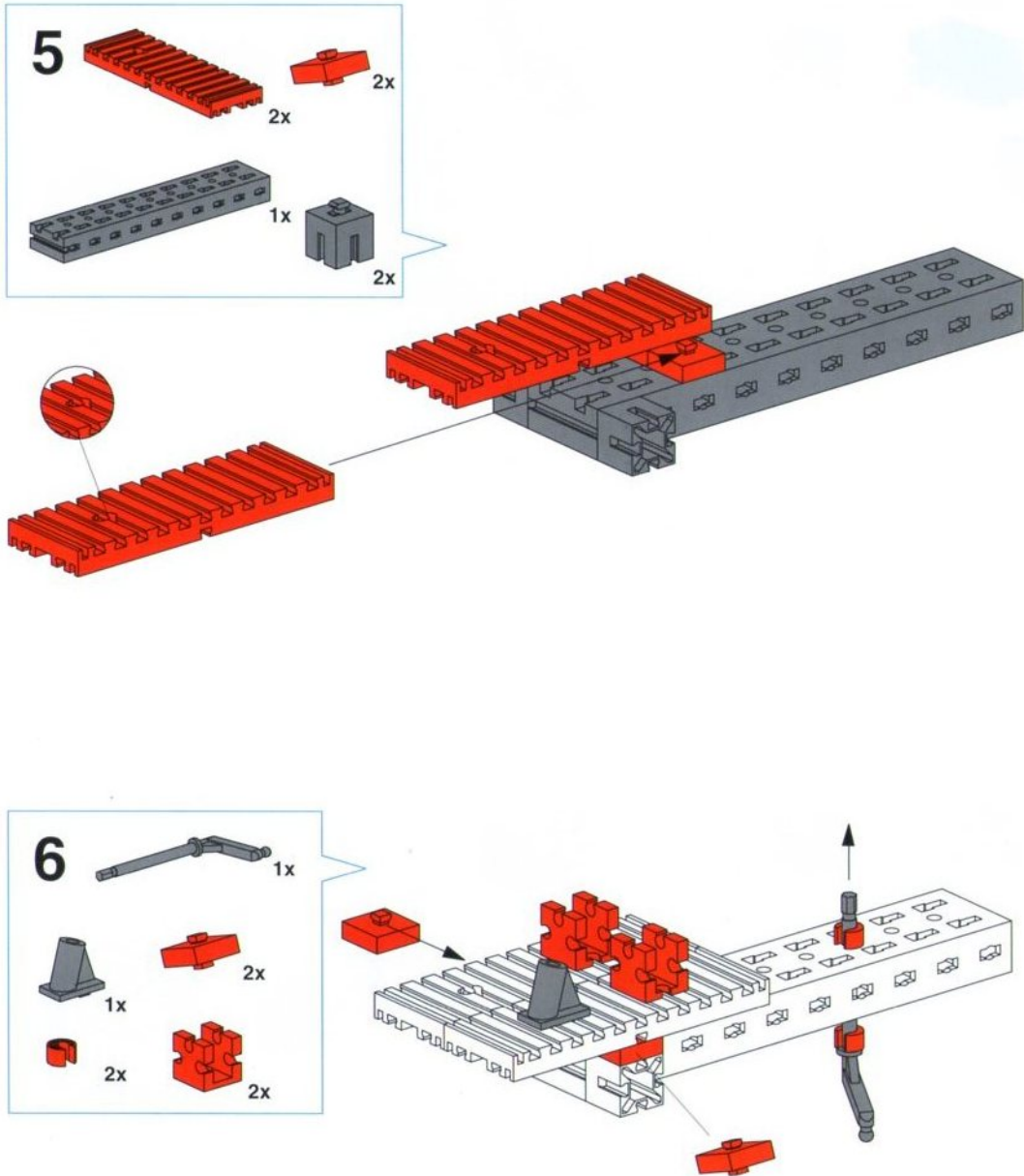


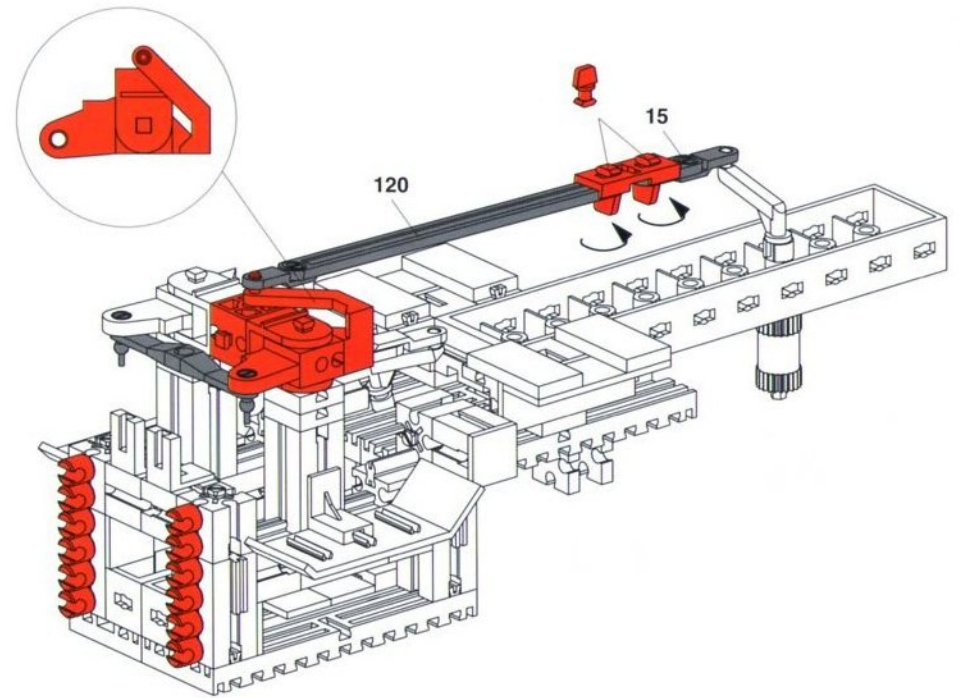
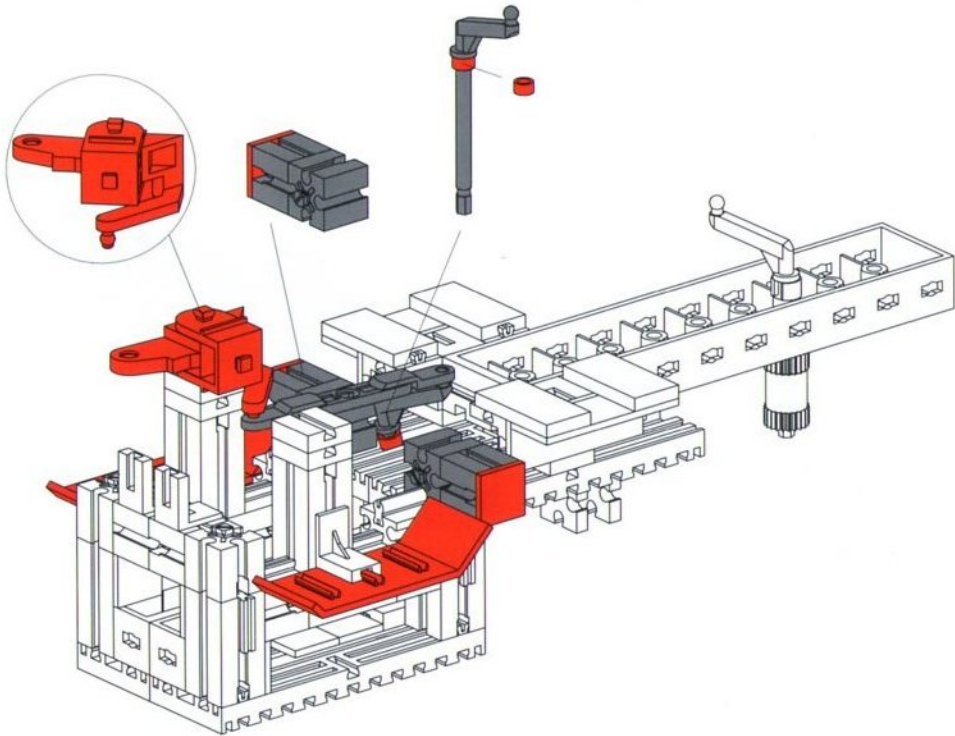
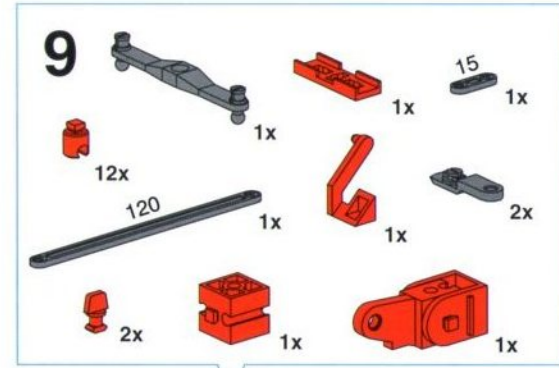
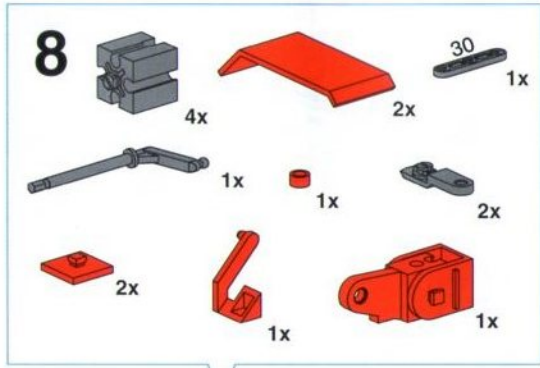




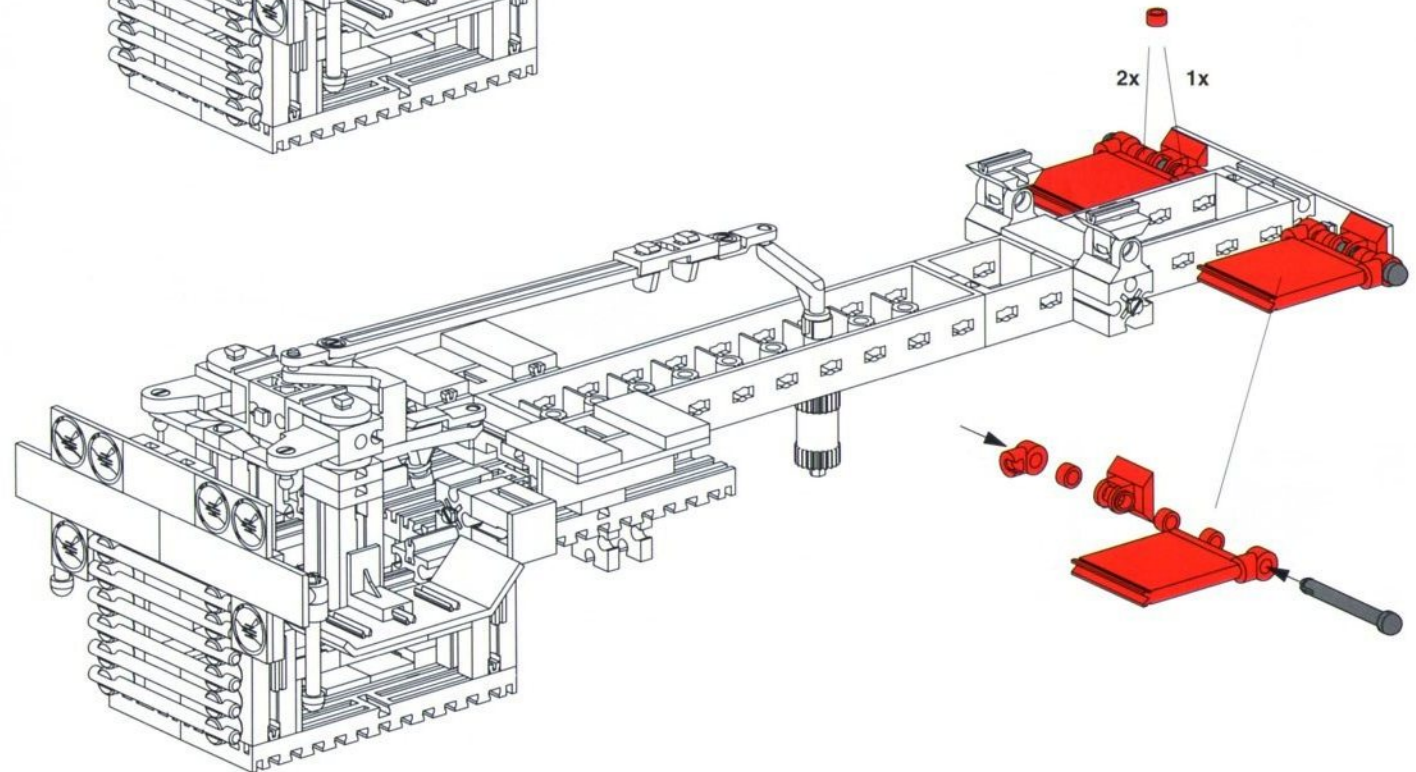
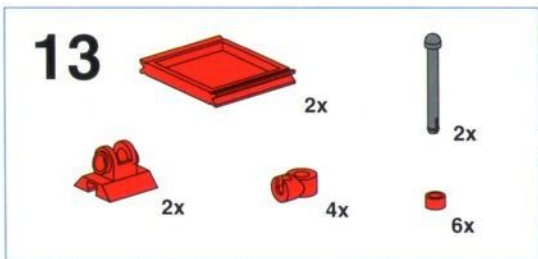
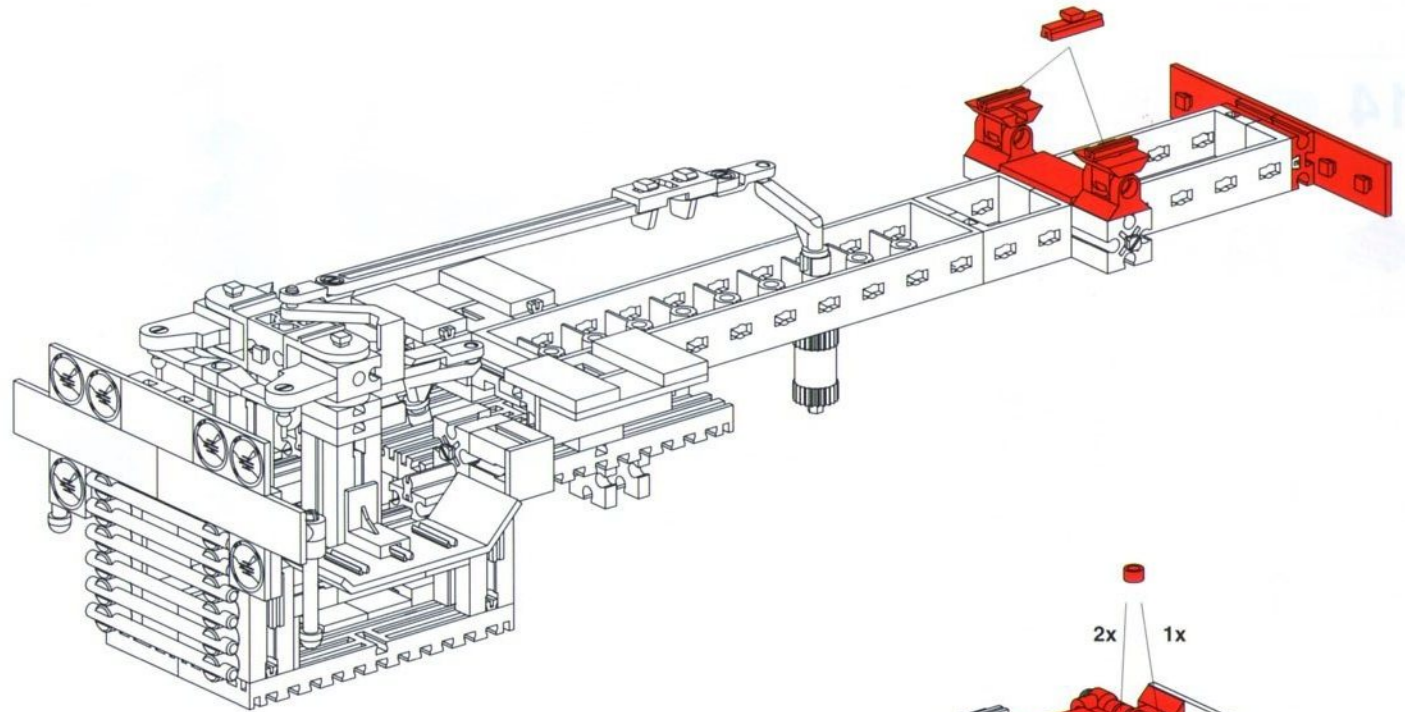
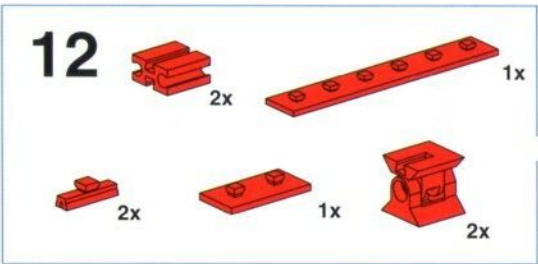
# King of the Road





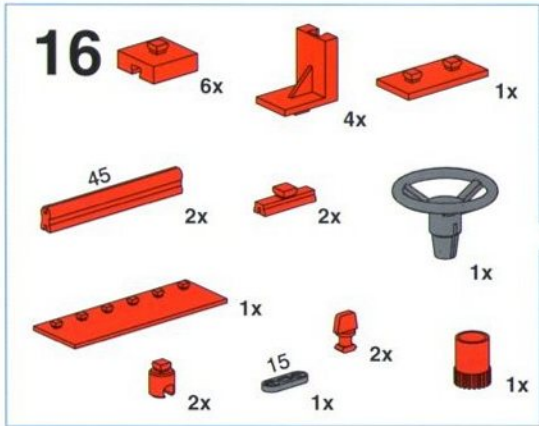






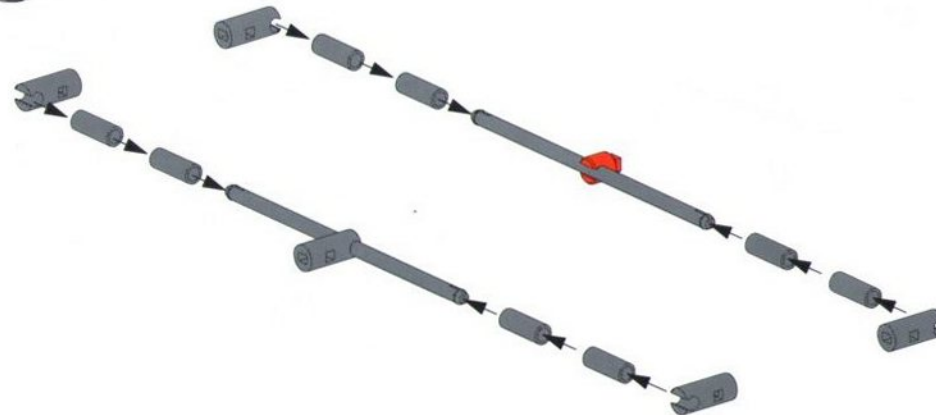
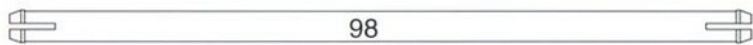
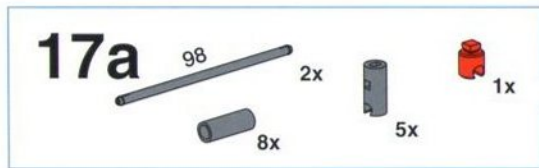
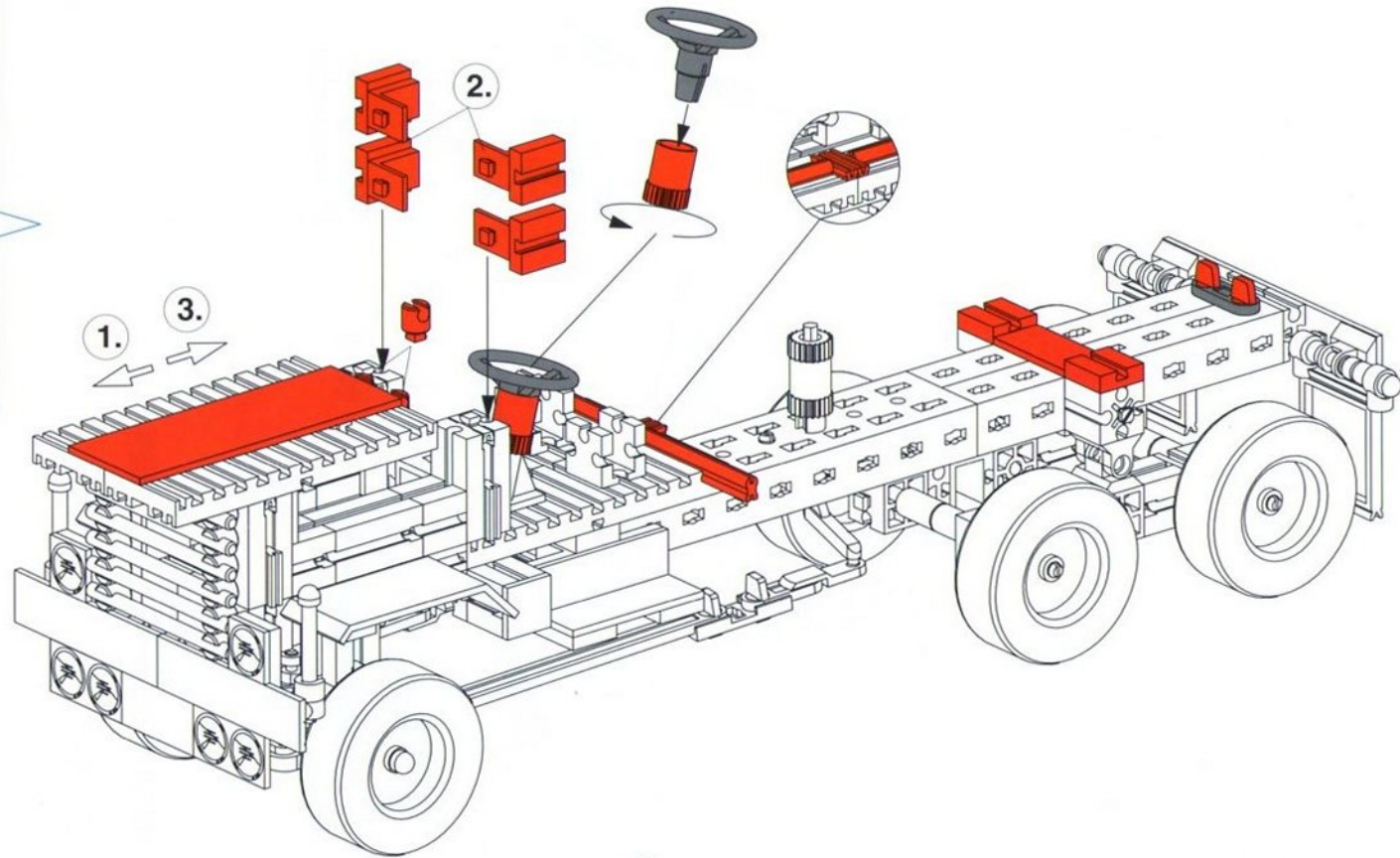






1. → 2. → 3.

- Reihenfolge beachten
- Please keep to the order
- Respecter l'ordre
- Volgorde in acht nemen
- Tener en cuenta la secuencia
- Osservare la sequenza



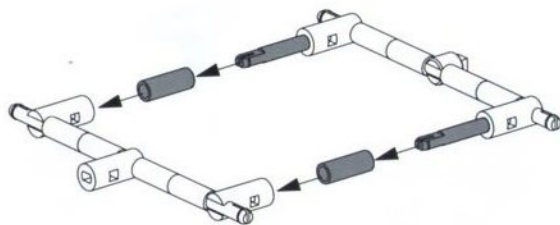
17b



2x



2x



30

17c



2x



2x



9x



9x



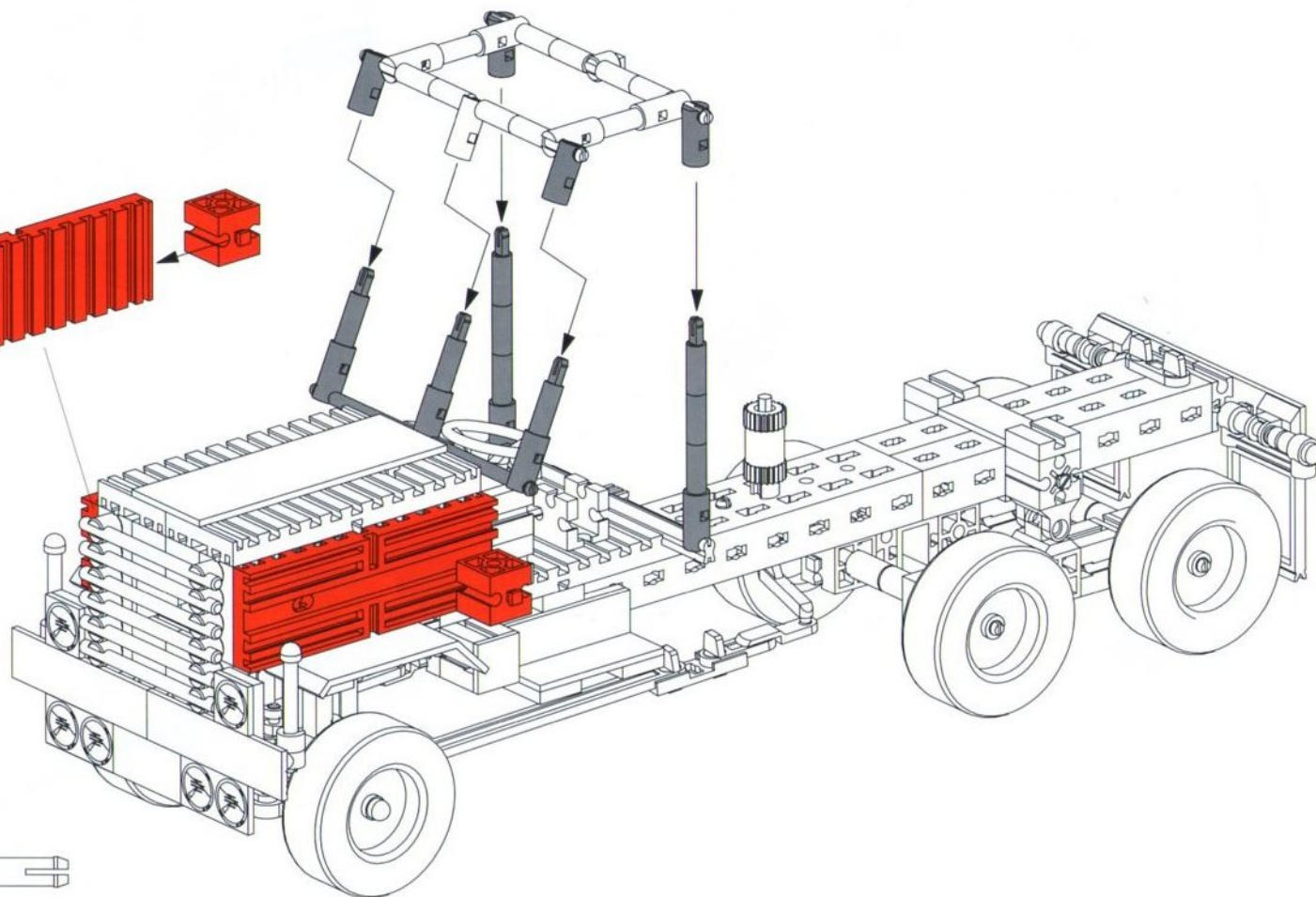
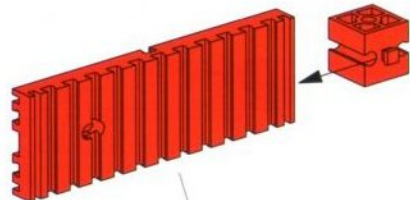
3x



2x



1x



30



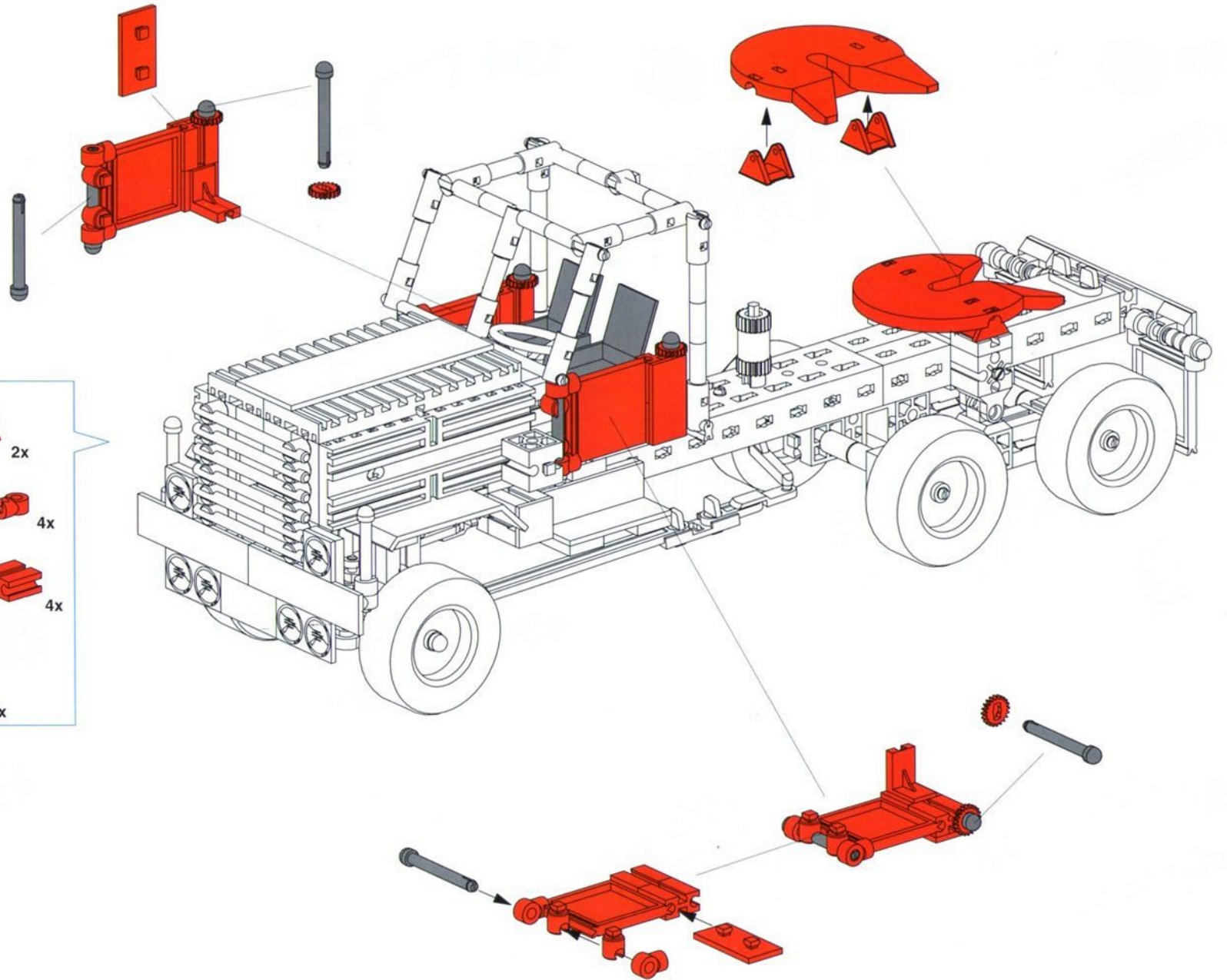
60

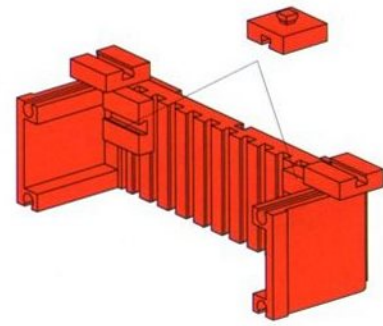
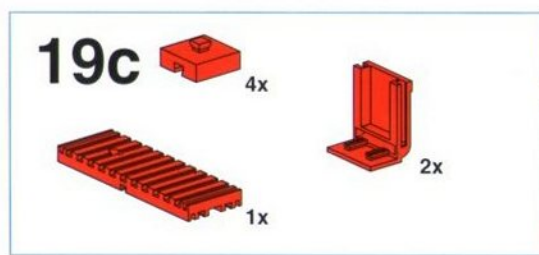
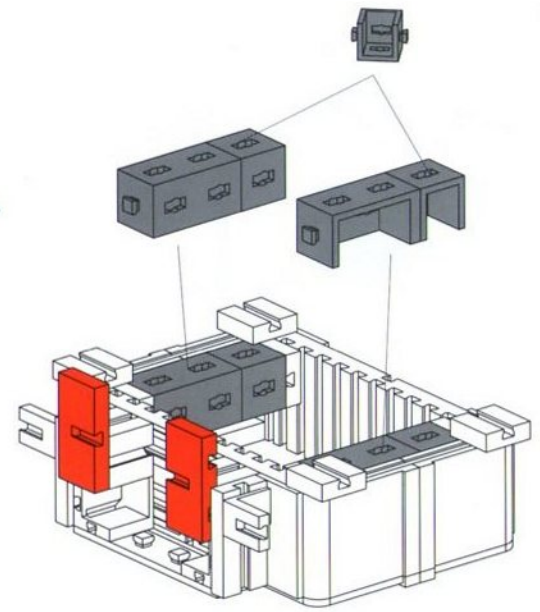
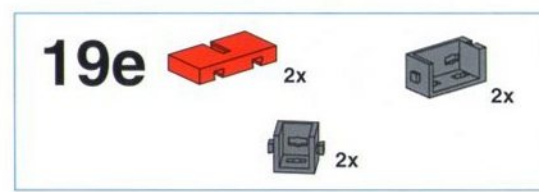
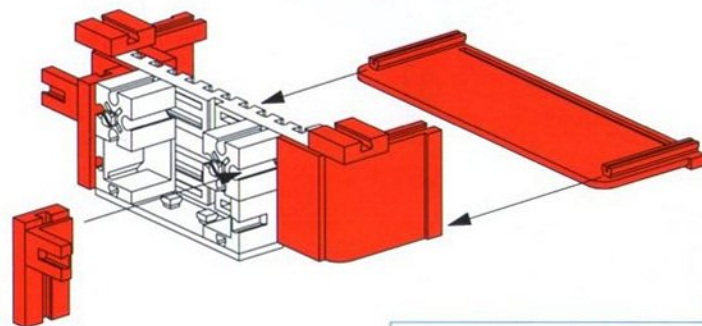
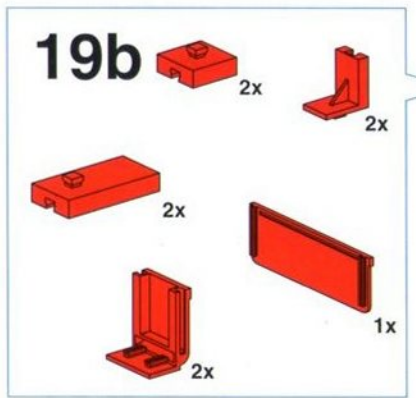
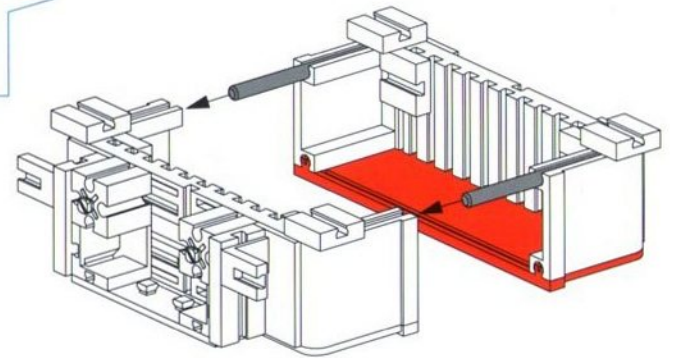
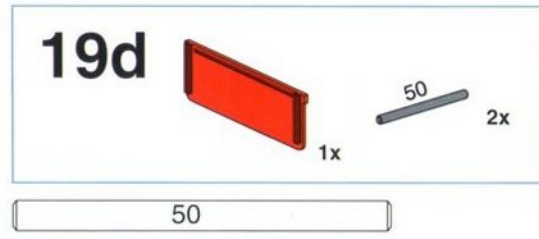
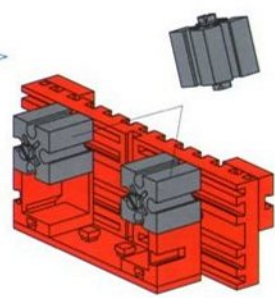
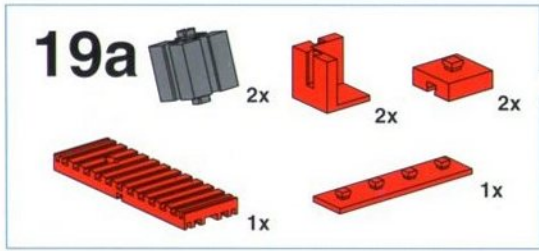


98

**18**

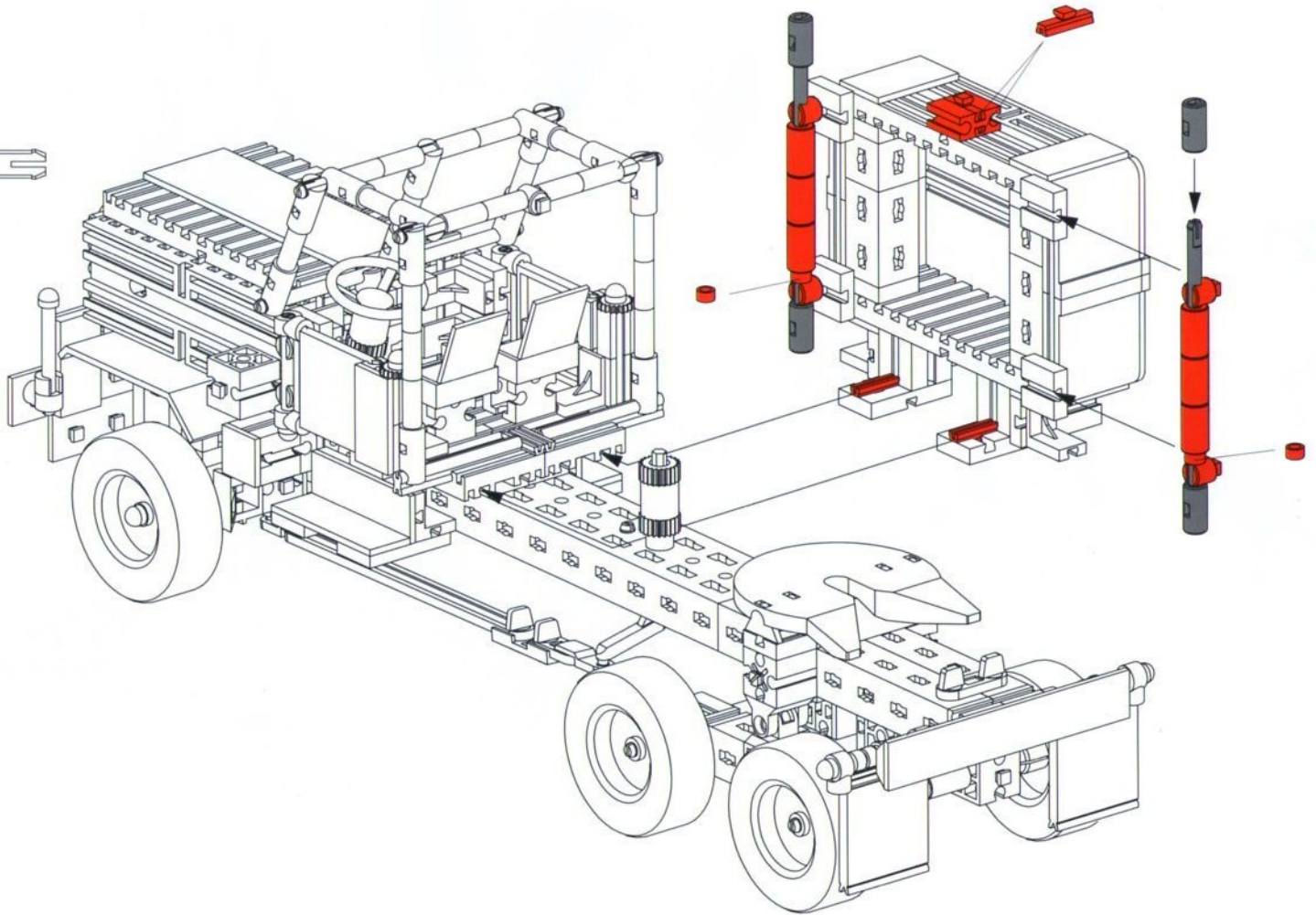
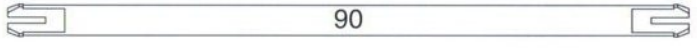
- 1x Red Technic Plate (10-hole)
- 2x Red Technic Pin (with friction ridges)
- 2x Red Technic Gear (24-tooth)
- 4x Red Technic Pin (with friction ridges)
- 4x Red Technic Pin (with friction ridges)
- 2x Red Technic Plate (1-hole)
- 2x Red Technic Plate (2-hole)
- 4x Red Technic Pin (with friction ridges)
- 2x Red Technic Pin (with friction ridges)
- 2x Grey Technic Pin (with friction ridges)
- 4x Grey Technic Pin (with friction ridges)

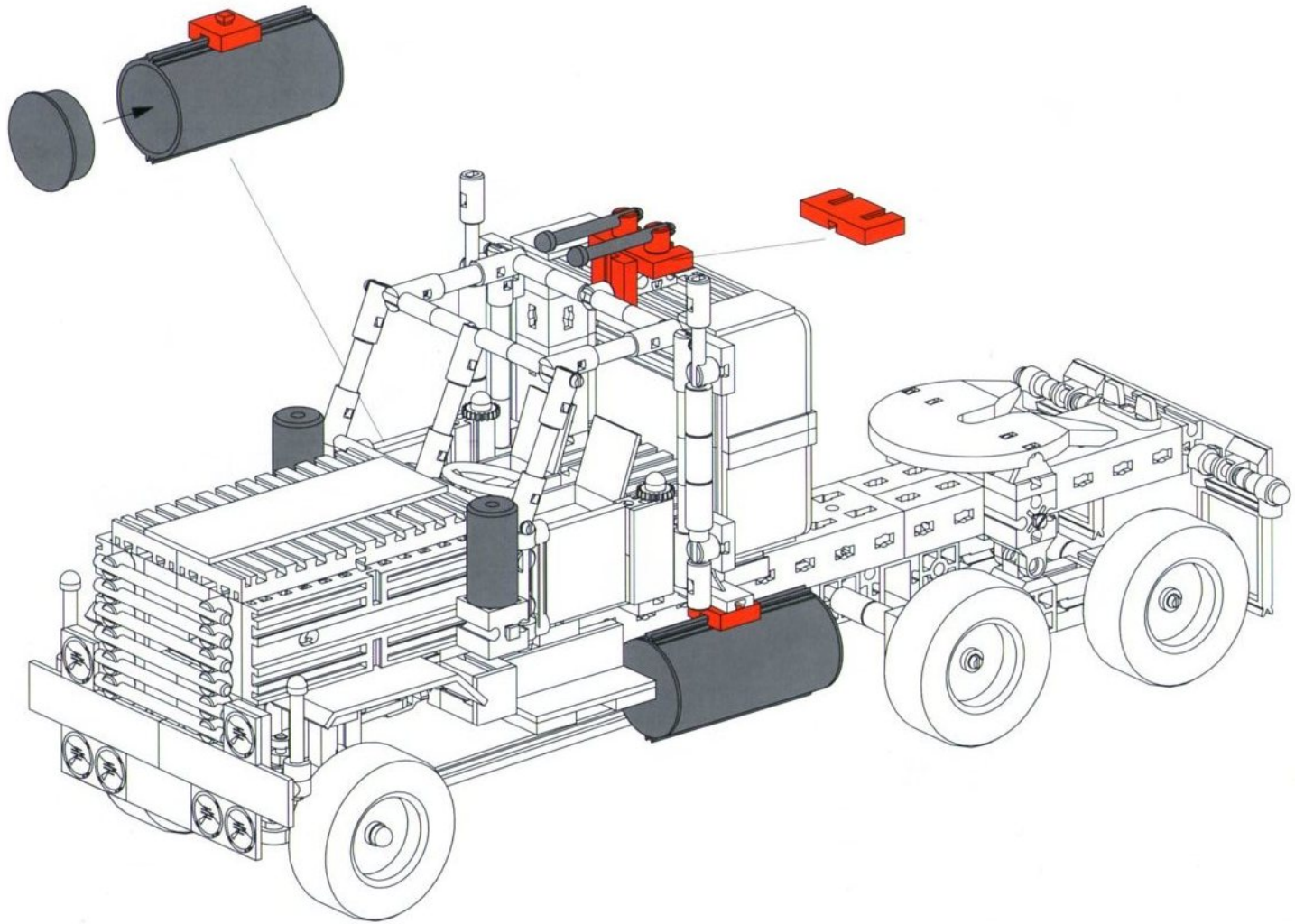











**20**

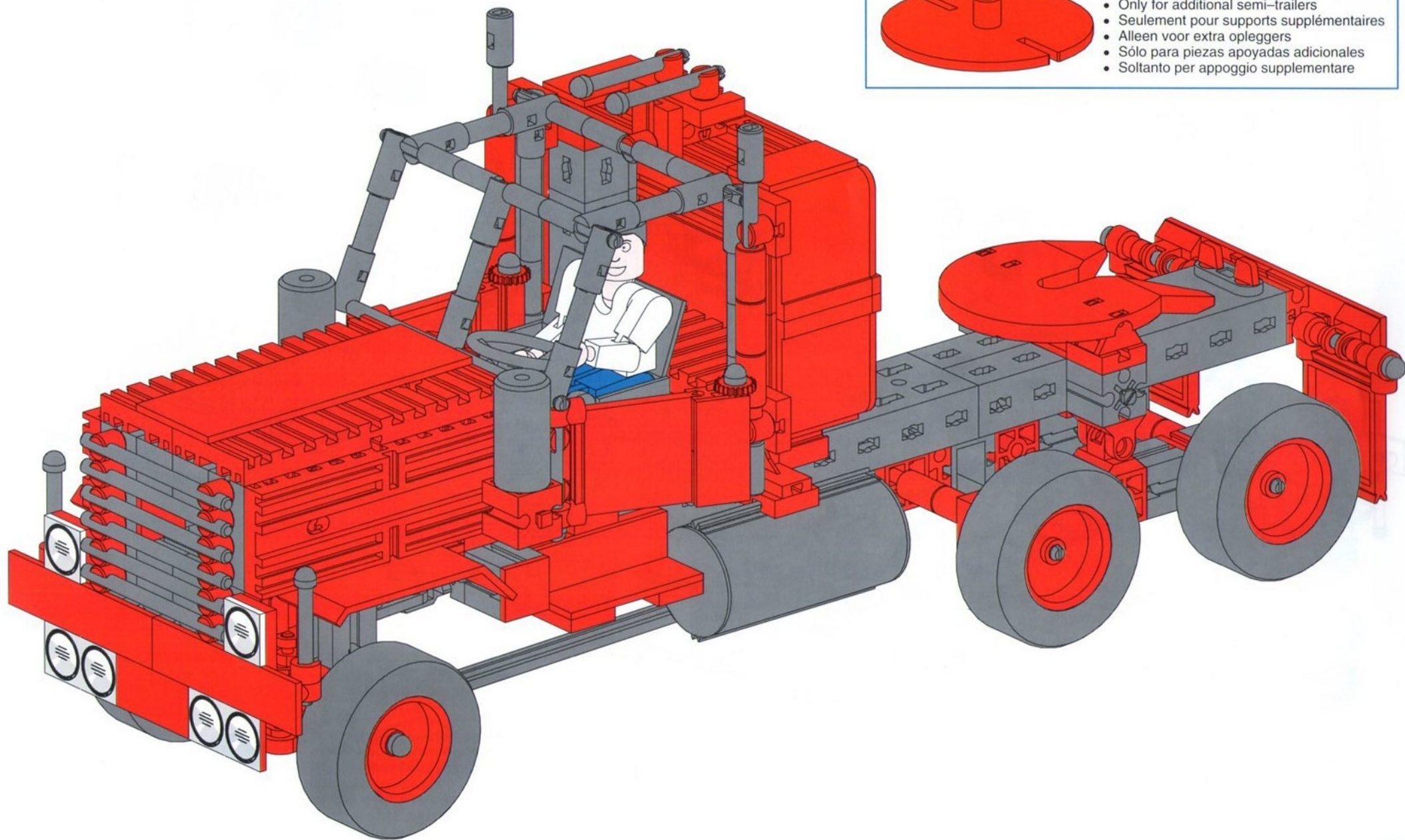
- 1x Red 1x3 Technic Brick
- 4x Red 1x2 Technic Brick
- 2x Grey Technic Axle (length 90)
- 2x Red Technic Pin
- 6x Red Technic Pin
- 4x Red Technic Bush
- 4x Grey Technic Bush





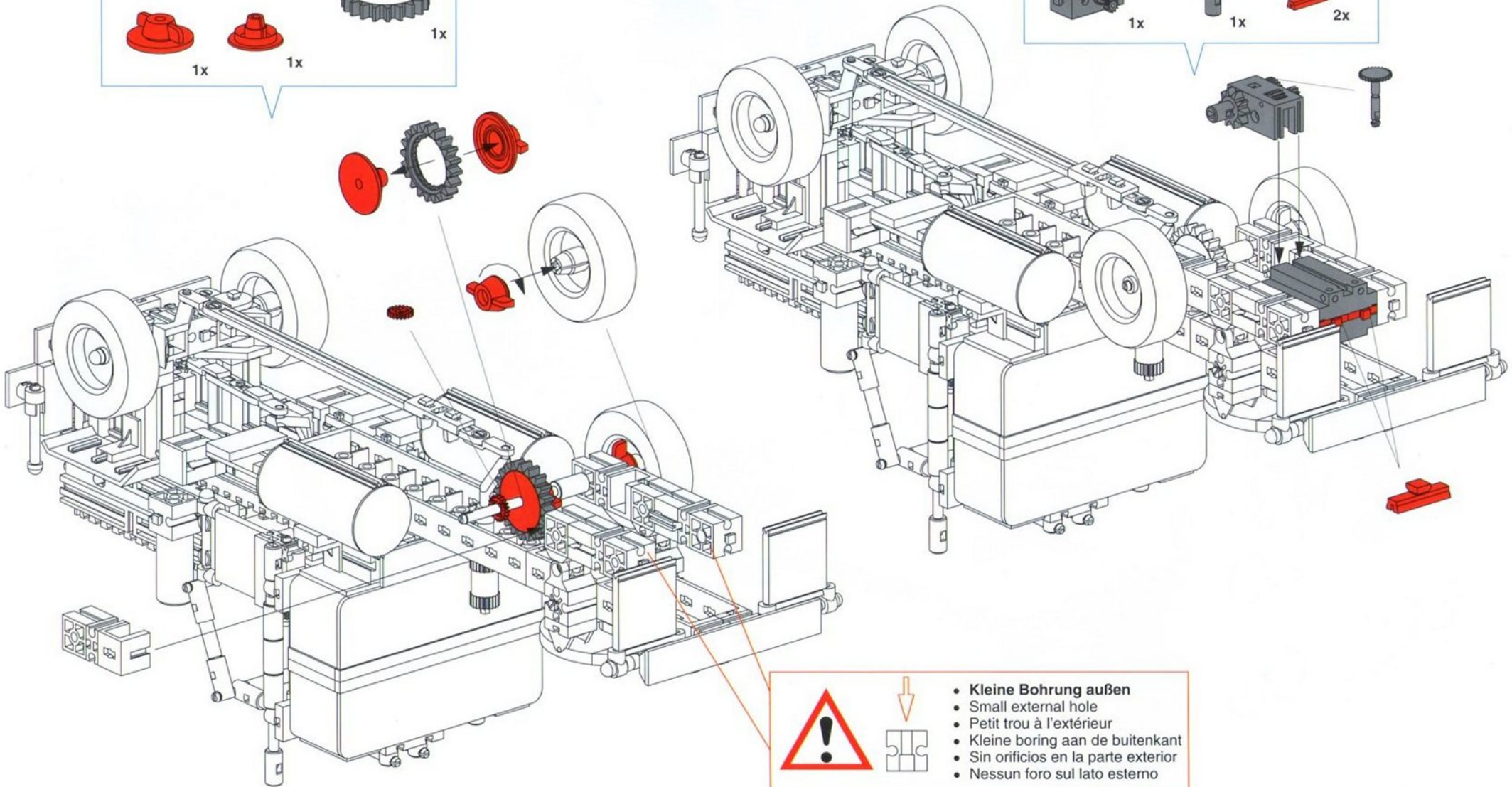
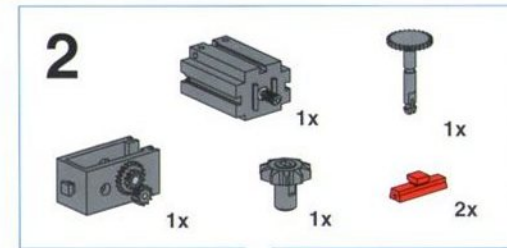
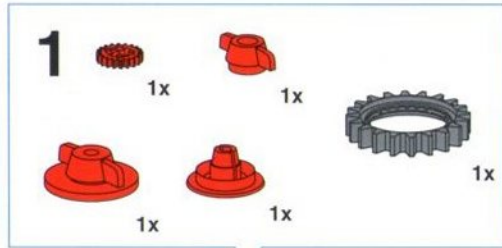
**21**

|   |    |   |    |   |    |
|---|----|---|----|---|----|
|  | 3x |  | 2x |  | 2x |
|  | 1x |  | 2x |   |    |
|  | 2x |  | 4x |   |    |



- nur für zusätzliche Auflieger
- Only for additional semi-trailers
- Seulement pour supports supplémentaires
- Alleen voor extra opleggers
- Sólo para piezas apoyadas adicionales
- Soltanto per appoggio supplementare





- **Kleine Bohrung außen**
- Small external hole
- Petit trou à l'extérieur
- Kleine boring aan de buitenkant
- Sin orificios en la parte exterior
- Nessun foro sul lato esterno

3



2x



4x



2x

