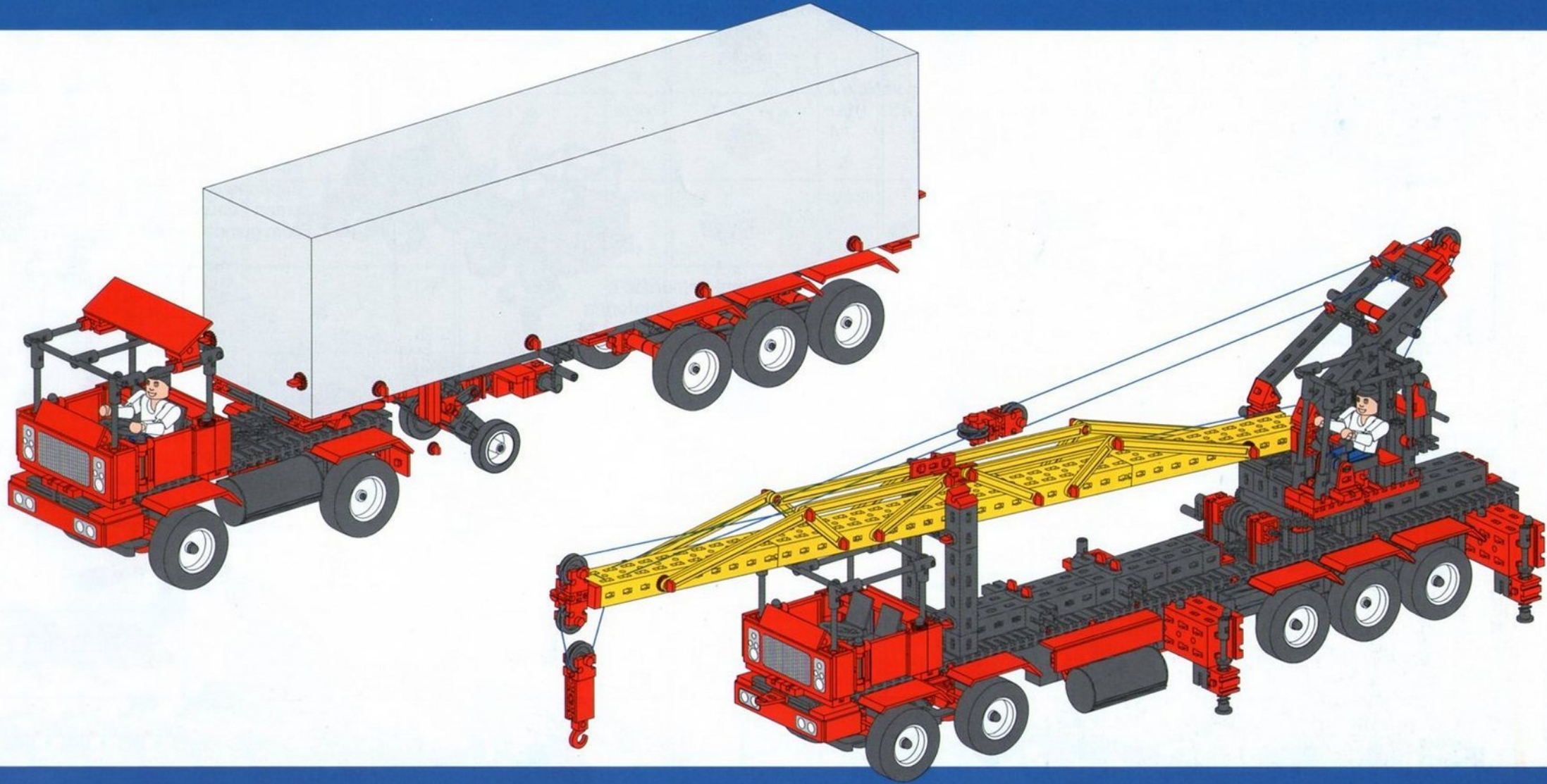


SUPER TRUCKS



fischertechnik[®] [®]

**Inhalt
Contents
Contenu**

**Inhoud
Contenido
Conteúdo**

Einzelteilübersicht / Spare parts list / Liste des pièces détachées / Onderdelenoverzicht / Lista da piezas / Resumo de peça individual

1

Montagehilfen und Hinweise / Assembly aids and instructions / Aides de montage et instructions /
Montagehulpmiddelen en aanwijzingen / Ayudas de montaje e instrucciones / Montagens e indicações

3



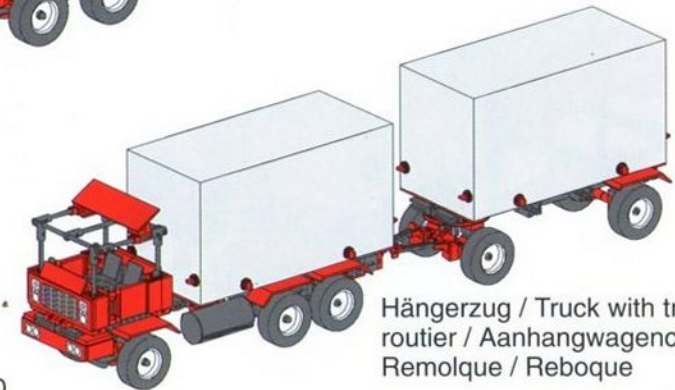
LKW-Zugmaschine / Truck traction vehicle /
Tracteur routier / Trekker /
Tractor de camión / Camião tractor 4



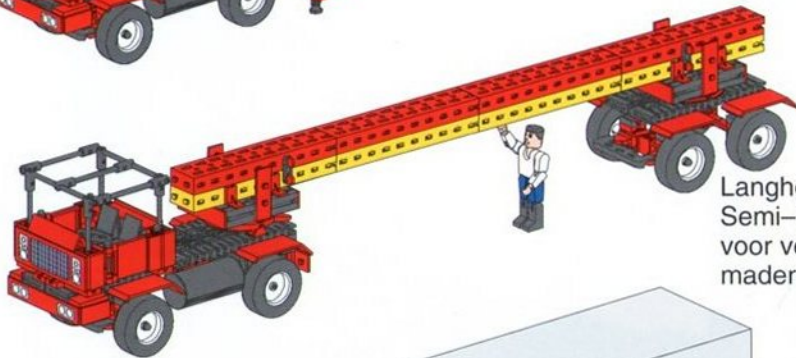
LKW mit Bergekran / Truck with
salvage crane / Camion avec grue
dépanneuse lourde / Vrachtwagen met
kraan / Grúa de salvamento / Camião
com guindaste de remoção 36



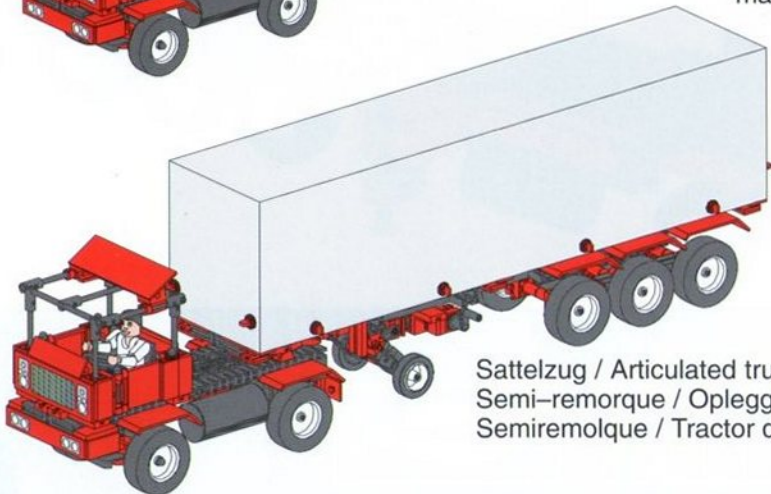
Tiefplader / Low-bed truck / Semi-remorque à
plate-forme surbaissée / Dieplader / Plataforma
baja / Veículo de plataforma rebaixada 14



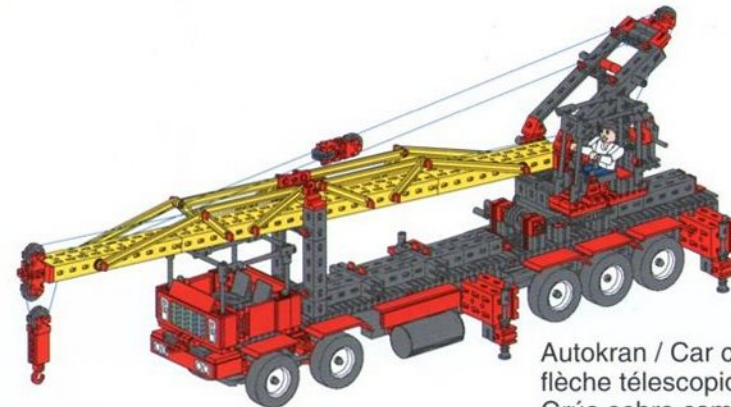
Hängerzug / Truck with trailer / Train
routier / Aanhangwagencombinatie /
Remorque / Reboque 47



Langholztransporter / Timber truck /
Semi-remorque à long bois / Vrachtwagen
voor vervoer van lang hout / Transportador de
maderos largos / Transportador para toras 20





















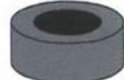





























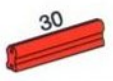















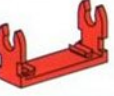











Sattelzug / Articulated truck /
Semi-remorque / Opleggercombinatie /
Semiremolque / Tractor de semi-reboque 25



Autokran / Car crane / Grue mobile à
flèche télescopique / Kraanwagen /
Grúa sobre camión / Carro-grua 63

Einzelteilübersicht
Spare parts list
Liste des pièces détachées

Onderdelenoverzicht
Lista da piezas
Resumo de peça individual

| | | | | | | | | | | | | | |
|---|-------|---|-------|---|-------|---|-------|---|-------|---|-------|---|-------|
|  | 31010 |  | 31391 |  | 31848 |  | 31999 |  | 32881 |  | 35050 |  | 35129 |
| 8x | | 1x | | 2x | | 2x | | 28x | | 10x | | 6x | |
|  | 31011 |  | 31422 |  | 31888 |  | 32064 |  | 32882 |  | 35061 |  | 35405 |
| 2x | | 4x | | 4x | | 17x | | 6x | | 1x | | 1x | |
|  | 31013 |  | 31426 |  | 31894 |  | 32071 |  | 32913 |  | 35062 |  | 35414 |
| 2x | | 4x | | 3x | | 2x | | 10x | | 1x | | 6x | |
|  | 31019 |  | 31436 |  | 31915 |  | 32330 |  | 32968 |  | 35063 |  | 35797 |
| 1x | | 6x | | 1x | | 10x | | 4x | | 2x | | 6x | |
|  | 31027 |  | 31597 |  | 31916 |  | 32615 |  | 32974 |  | 35064 |  | 35806 |
| 1x | | 6x | | 1x | | 2x | | 4x | | 2x | | 1x | |
|  | 31058 |  | 31667 |  | 31981 |  | 32850 |  | 34994 |  | 35065 | | |
| 1x | | 1x | | 2x | | 12x | | 2x | | 11x | | | |
|  | 31060 |  | 31668 |  | 31982 |  | 32852 |  | 34995 |  | 35067 |  | 35973 |
| 27x | | 2x | | 48x | | 1x | | 2x | | 2x | | 4x | |
|  | 31061 |  | 31674 |  | 31983 |  | 32859 |  | 35031 |  | 35072 |  | 35977 |
| 8x | | 2x | | 11x | | 1x | | 1x | | 1x | | 4x | |
|  | 31263 |  | 31690 |  | 31994 |  | 32869 |  | 35033 |  | 35073 |  | 35980 |
| 1x | | 6x | | 2x | | 1x | | 2x | | 8x | | 2x | |
|  | 31264 |  | 31766 |  | 31997 |  | 32870 |  | 35039 |  | 35087 |  | 35998 |
| 1x | | 3x | | 2x | | 20x | | 1x | | 2x | | 4x | |
|  | 31390 |  | 31843 |  | 31998 |  | 32879 |  | 35049 |  | 35088 |  | 36132 |
| 1x | | 4x | | 2x | | 19x | | 22x | | 1x | | 4x | |

Einzelteilübersicht
Spare parts list
Liste des pièces détachées

Onderdelenoverzicht
Lista da piezas
Resumo de peça individual

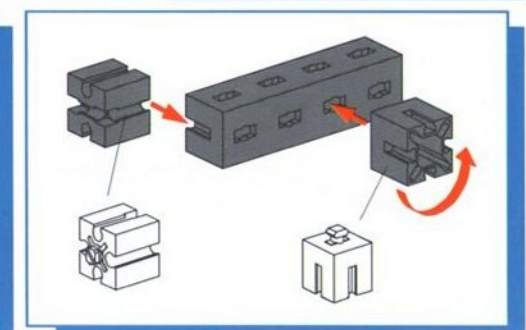
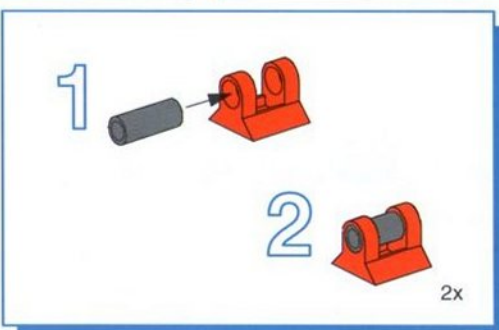
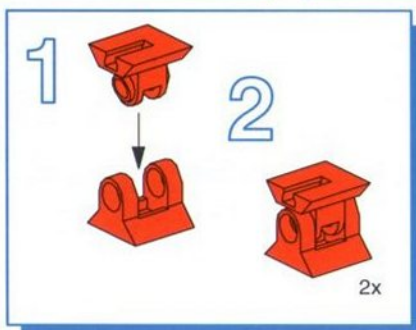
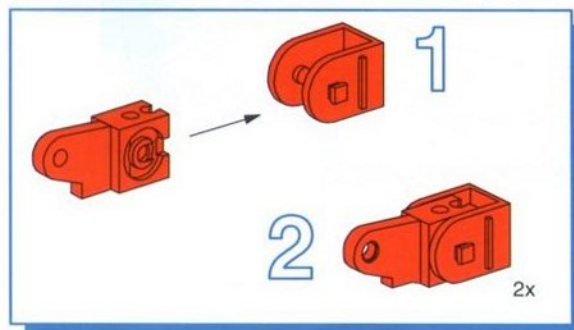
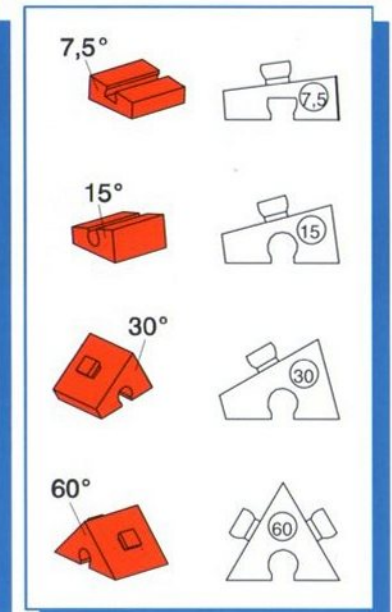
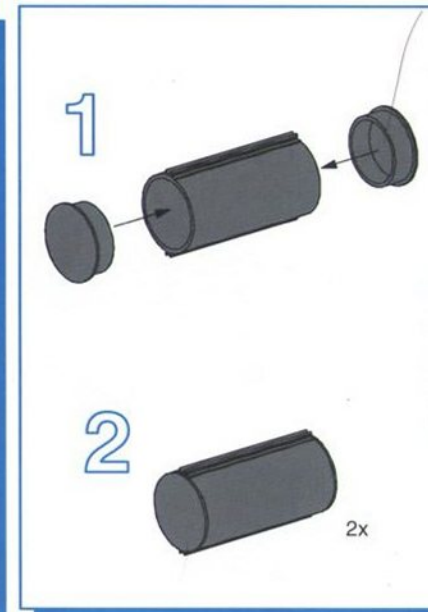
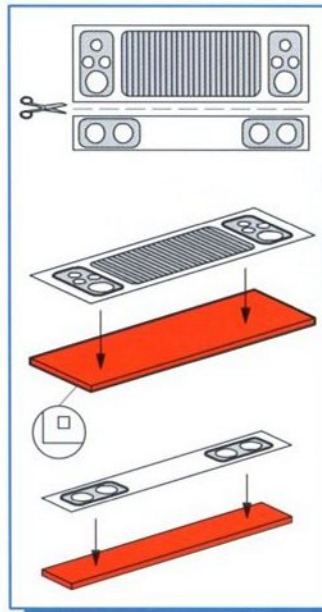
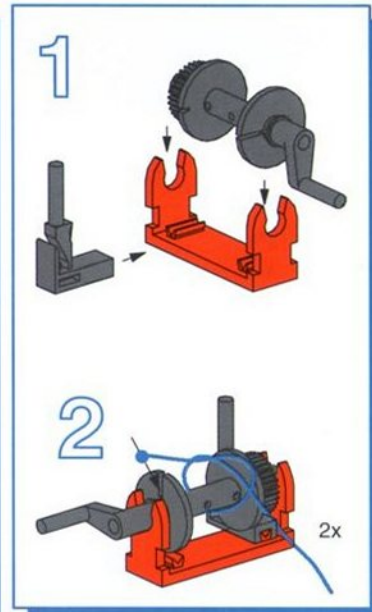
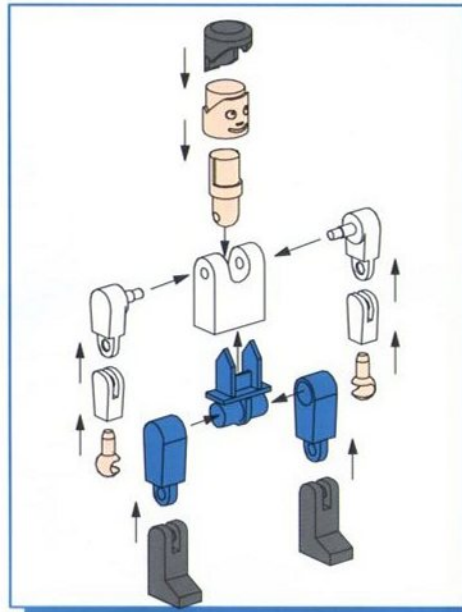
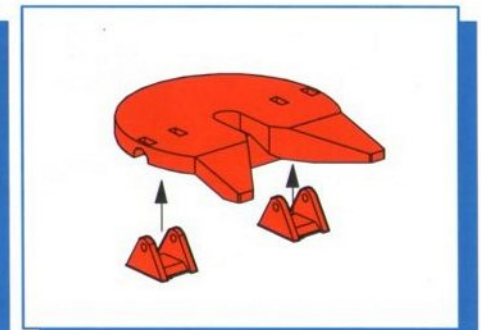
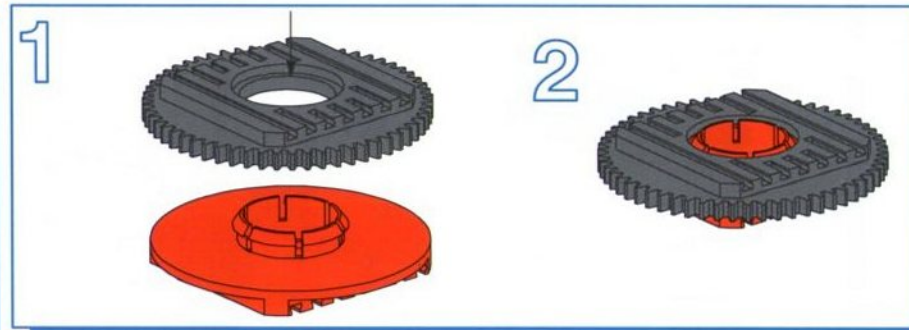
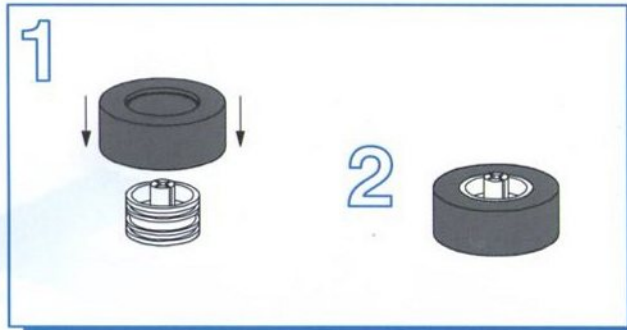
| | | | | | | | | | | | | | |
|---|--------------|---|--------------|---|--------------|---|--------------|---|--------------|---|--------------|---|--------------|
|  | 36227 26x |  | 36702 2x |  | 36921 12x |  | 37468 16x |  | 38244 4x |  | 38415 2x |  | 78727 10x |
|  | 36293 4x |  | 36703 4x |  | 36922 6x |  | 37636 9x |  | 38245 13x |  | 38423 26x |  | 104446 1x |
|  | 36323 24x |  | 36819 3x |  | 36923 2x |  | 37679 5x |  | 38246 10x |  | 38428 10x |  | 104447 1x |
|  | 36324 16x |  | 36912 2x |  | 36950 20x |  | 38225 1x |  | 38249 5x |  | 38446 2x |  | 104448 2x |
|  | 36326 4x |  | 36913 5x |  | 37232 2x |  | 38240 7x |  | 38251 2x |  | 38464 6x | | |
|  | 36334 18x |  | 36914 6x |  | 37237 47x |  | 38241 10x |  | 38253 3x |  | 38472 2x | | |
|  | 36335 8x |  | 36920 22x |  | 37238 8x |  | 38242 2x |  | 38277 8x |  | 38542 4x | | |

- Alle Einzelteile, insbesondere bewegliche Teile sind falls notwendig zu warten und zu reinigen.
- All components, especially moving parts, should be maintained and cleaned as necessary.
- Toutes les pièces détachées et en particulier les pièces mobiles, sont, si nécessaire, à entretenir et à nettoyer.

- Alle onderdelen, vooral de bewegende delen, kunnen, indien noodzakelijk, onderhouden en gereinigd worden.
- Es necesario limpiar y mantener en buen estado todas las diferentes piezas – especialmente las piezas móviles.
- Caso necessário, todas as peças individuais, especialmente peças móveis, tem que ser submetidas à manutenção e ser limpas.

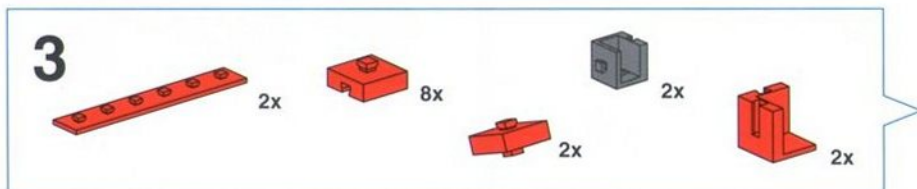
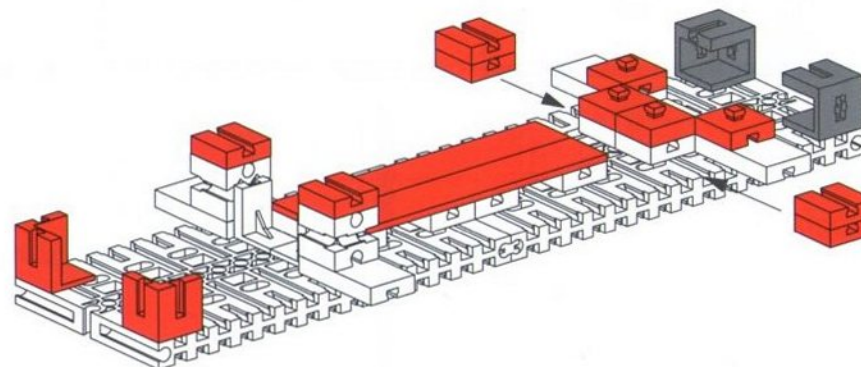
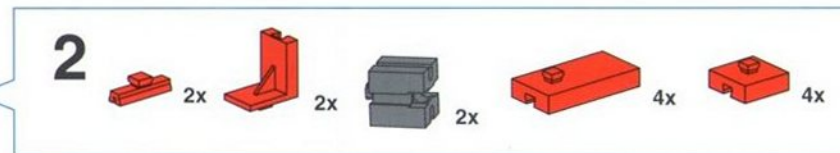
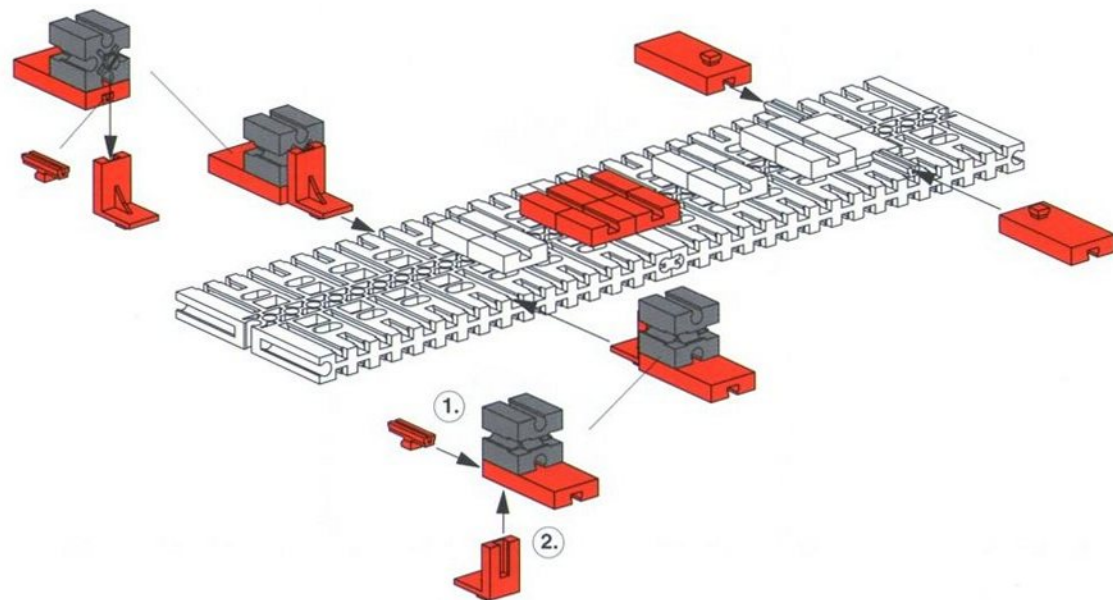
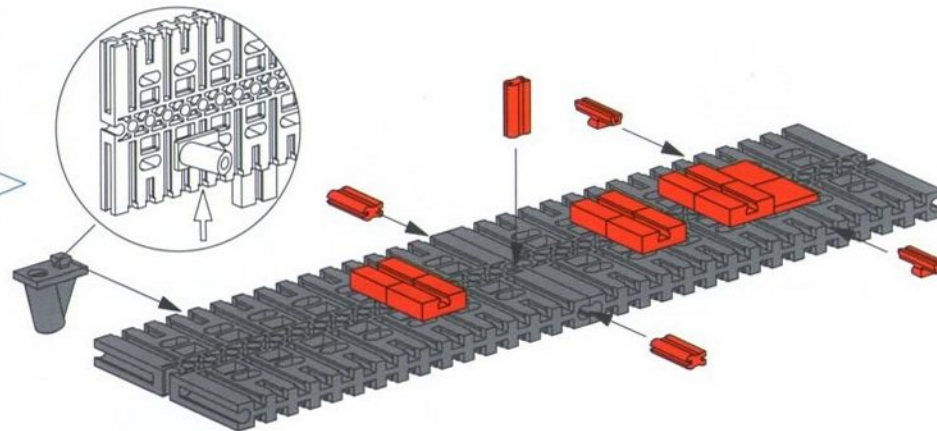
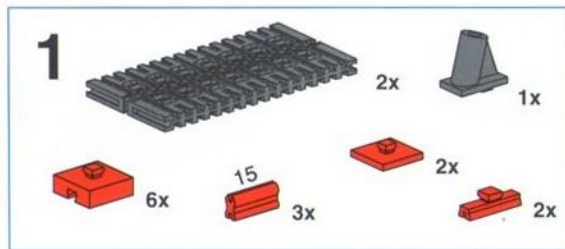
Montagehilfen und Hinweise
Assembly aids and instructions
Aides de montage et instructions

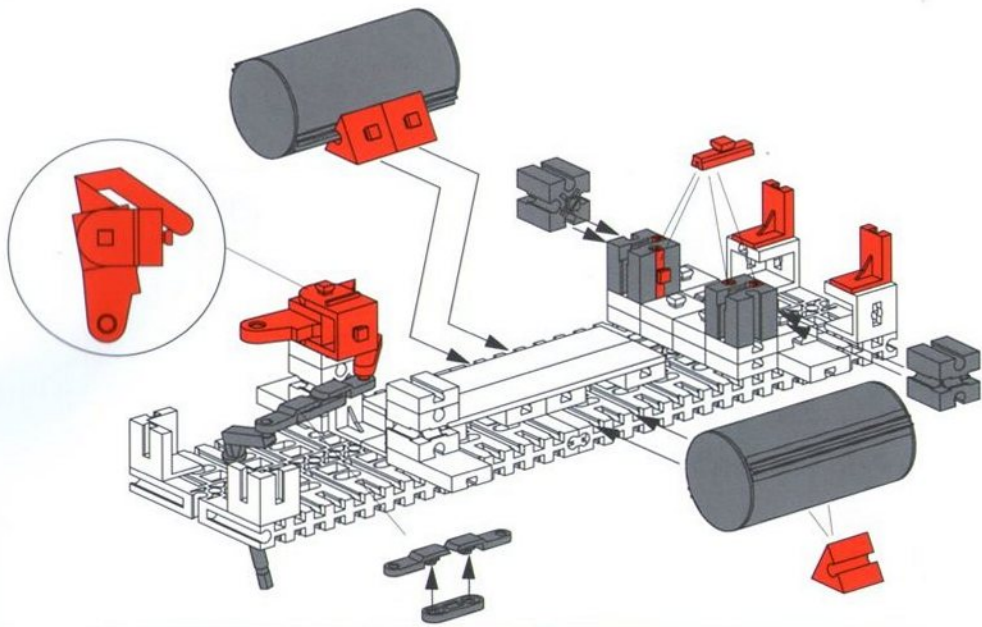
Montagehulpmiddelen en aanwijzingen
Ayudas de montaje e instrucciones
Montagens e indicações



LKW-Zugmaschine
Truck traction vehicle
Tracteur routier

Trekker
Tractor de camión
Camião tractor

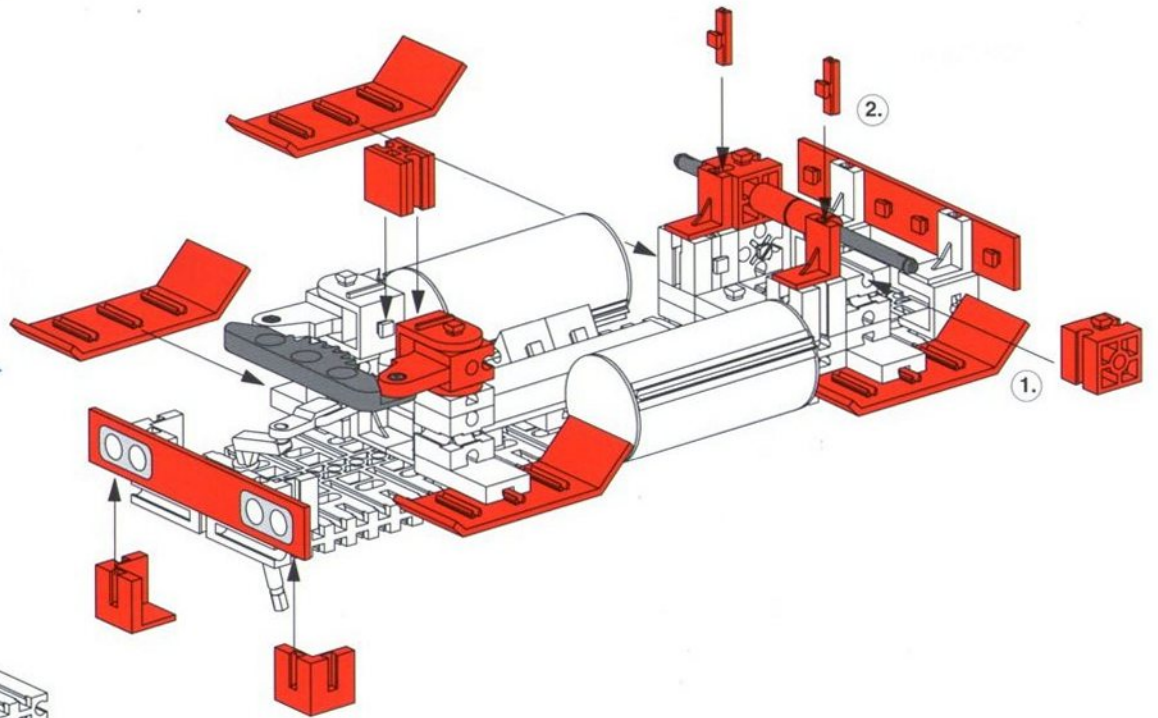




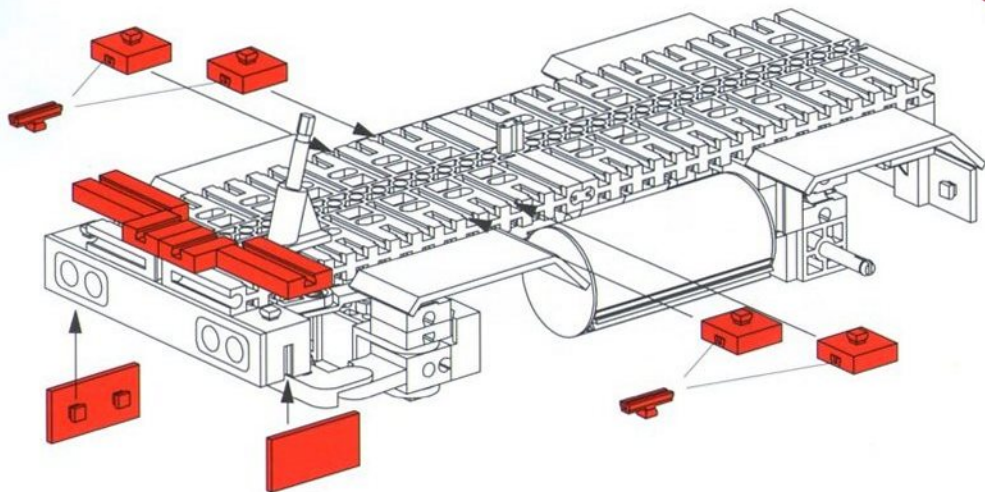
- 4**
- 1x Red connector
 - 1x Red L-shaped piece
 - 1x Grey axle
 - 2x Grey axle pin
 - 1x Grey axle pin (15)
 - 4x Red short pins
 - 4x Grey axle pins
 - 2x Red L-shaped pieces
 - 4x Red 60-degree angled pieces
 - 2x Grey axle

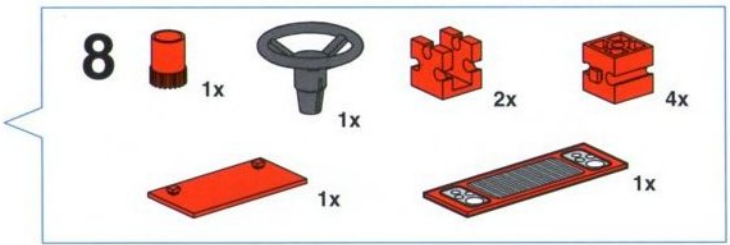
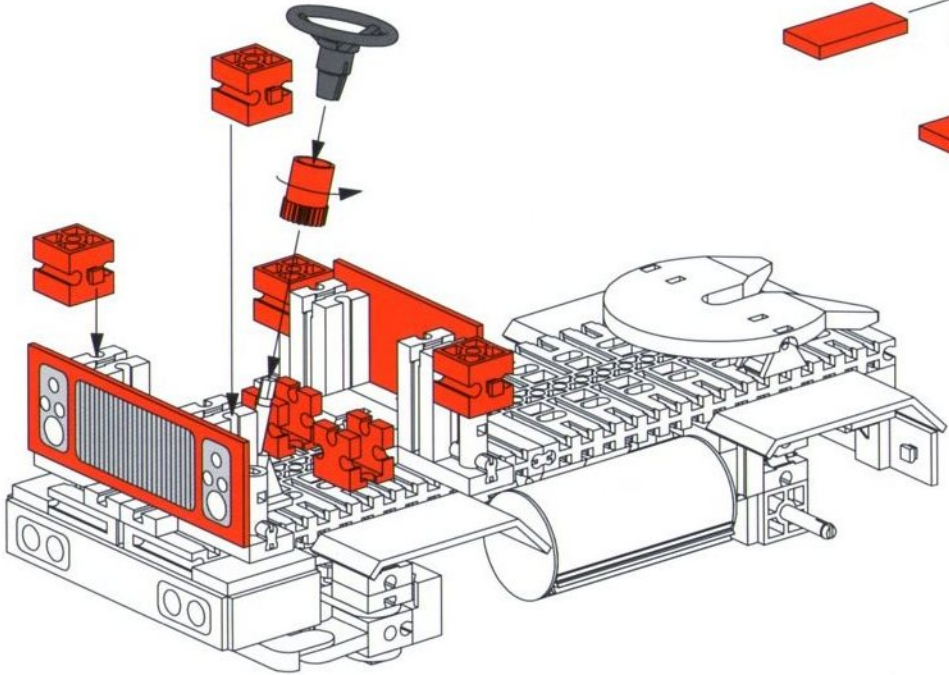
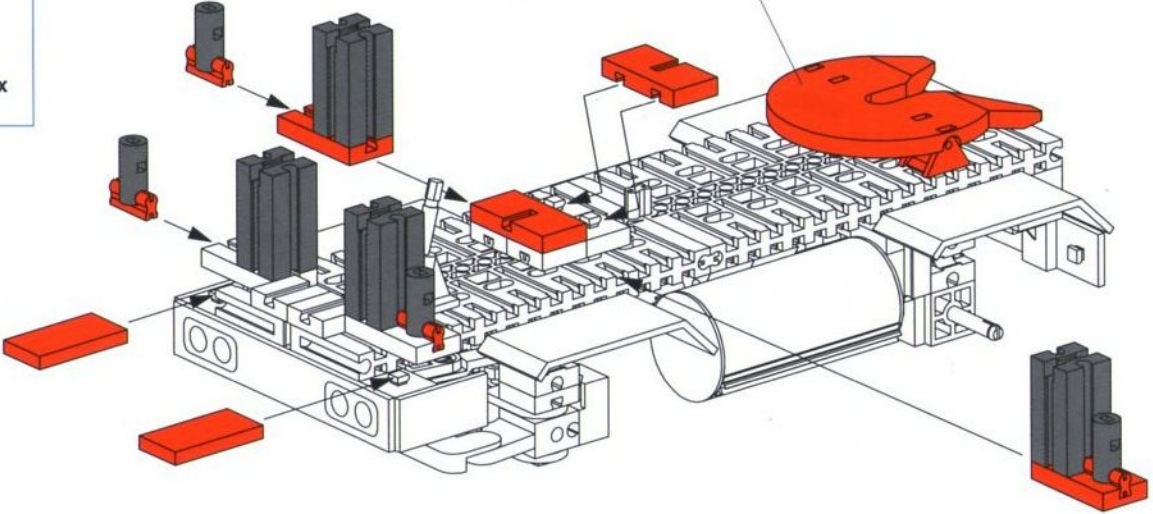
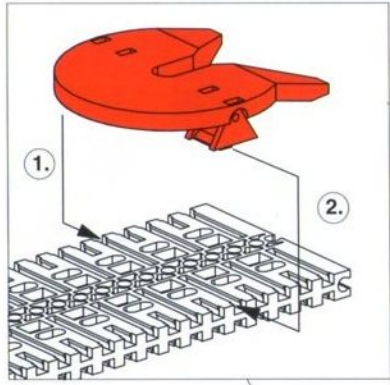
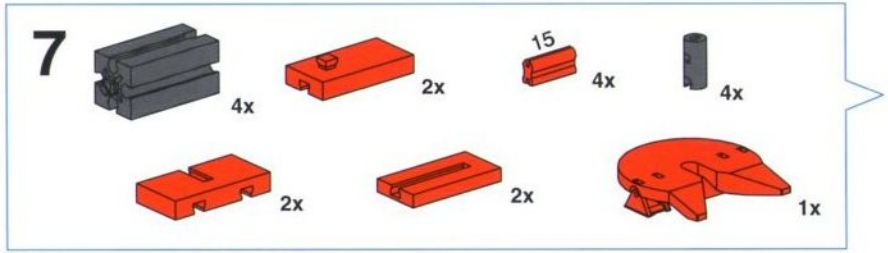
- 5**
- 1x Red connector
 - 1x Grey axle
 - 1x Red L-shaped piece
 - 2x Red short pins
 - 1x Red long pin
 - 1x Red L-shaped piece
 - 1x Grey axle (98)
 - 4x Red curved pieces
 - 2x Red L-shaped pieces
 - 2x Red L-shaped pieces
 - 2x Red L-shaped pieces
 - 2x Red L-shaped pieces
 - 2x Red short pins
 - 2x Red short pins

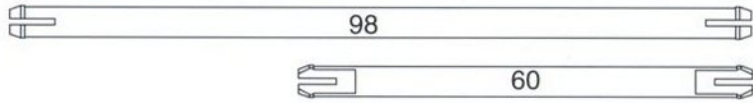
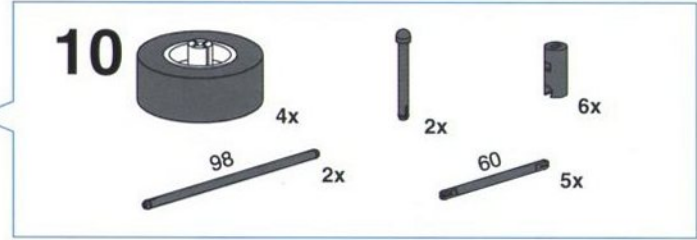
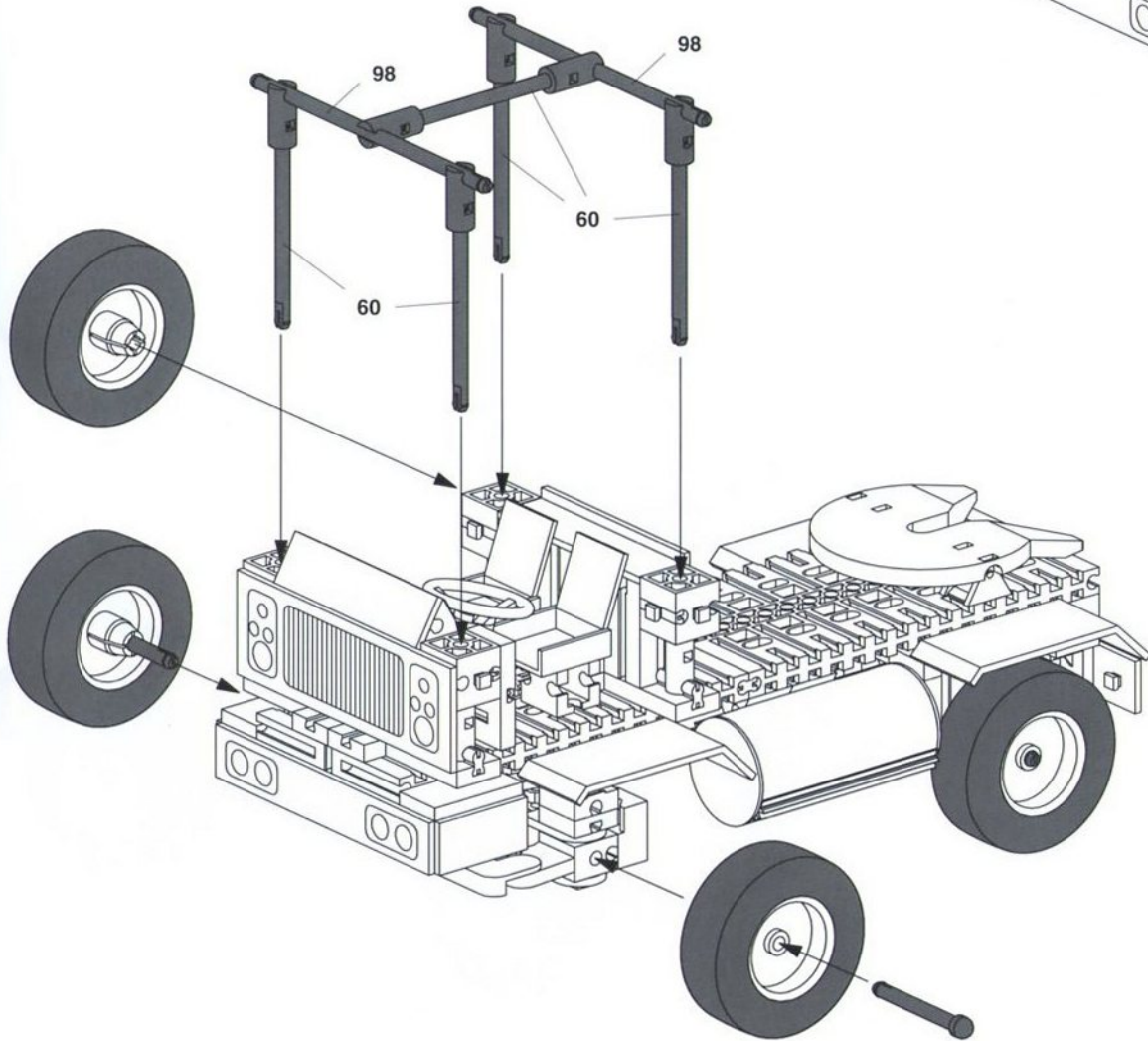
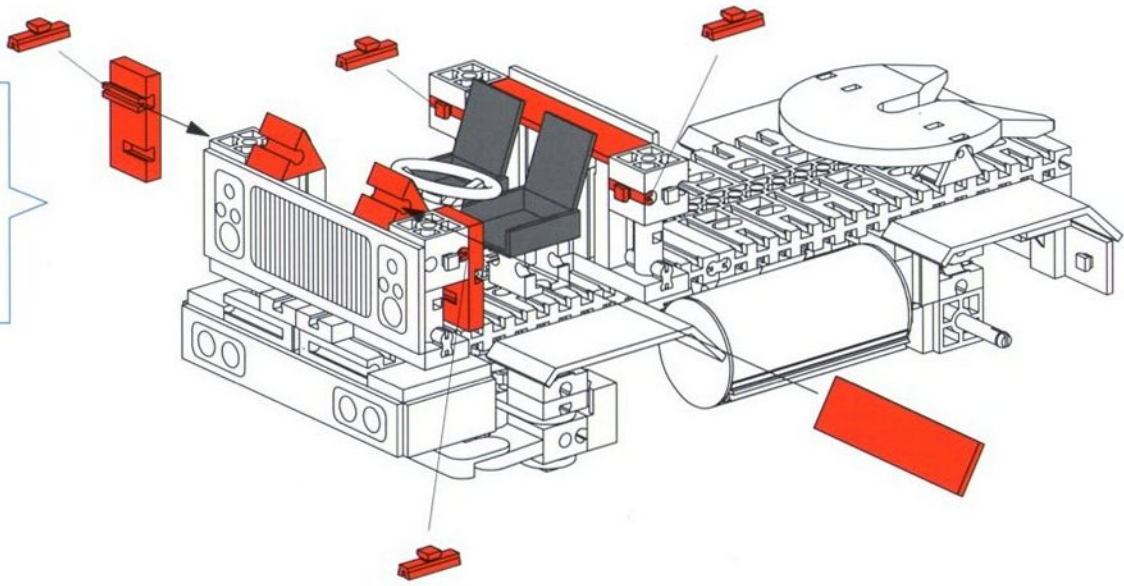
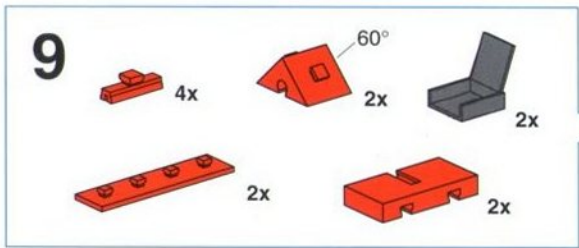
98

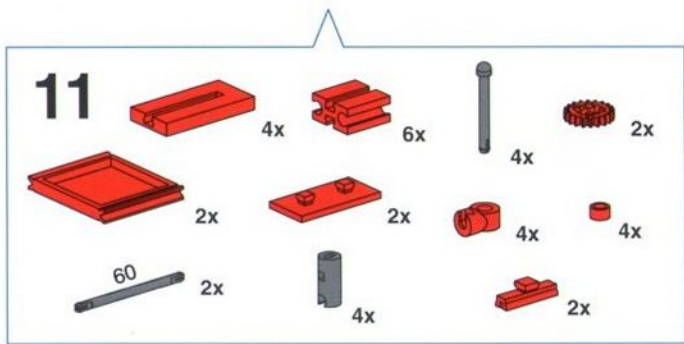
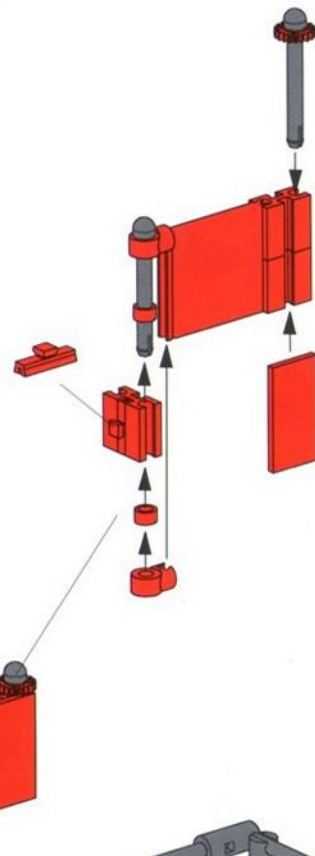
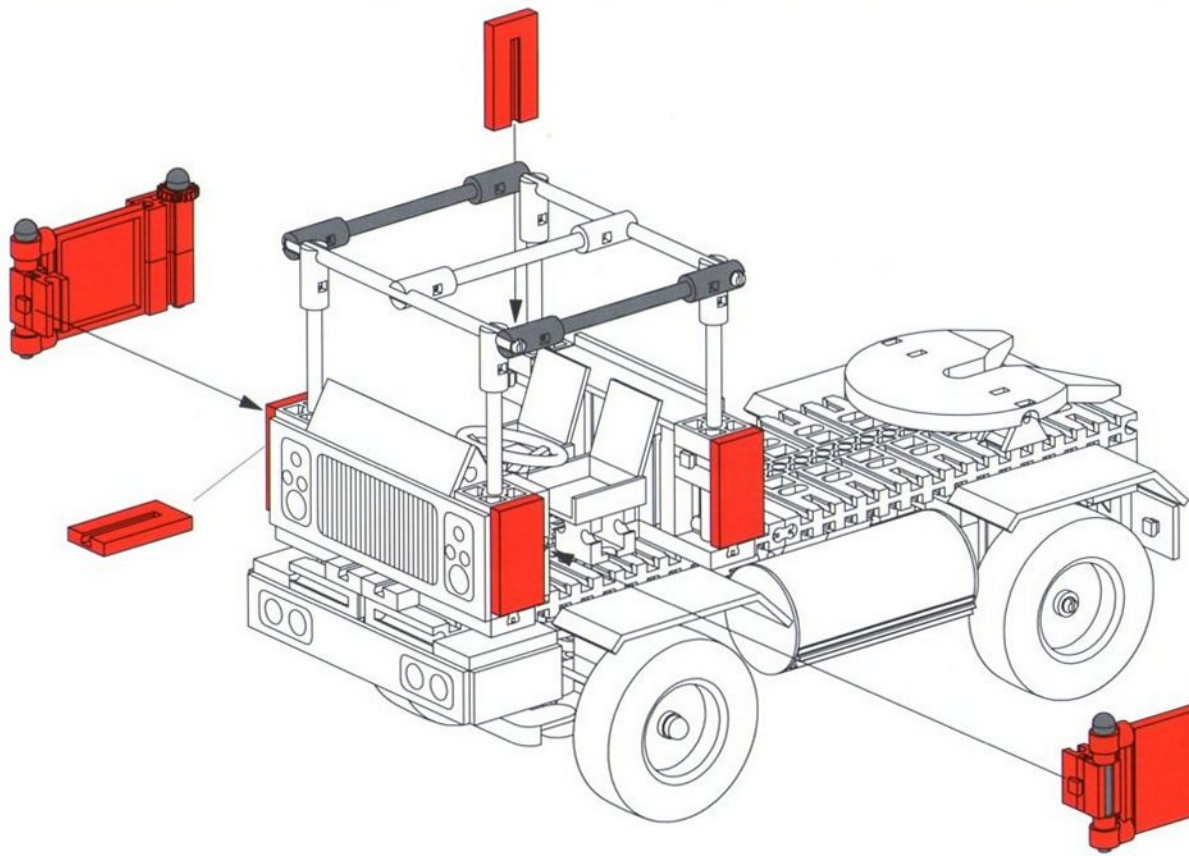


- 6**
- 6x Red short pins
 - 2x Red long pins
 - 2x Red long pins
 - 4x Red short pins



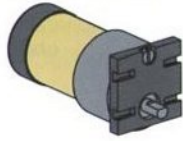






Motorisierung und Fernsteuerung
Motorization and remote control
Motorisation et télécommande

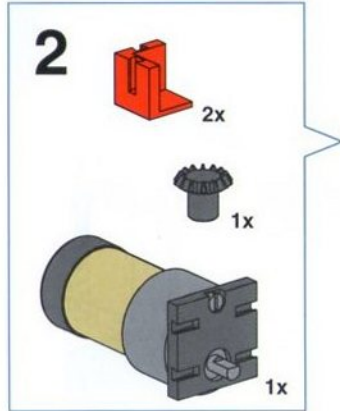
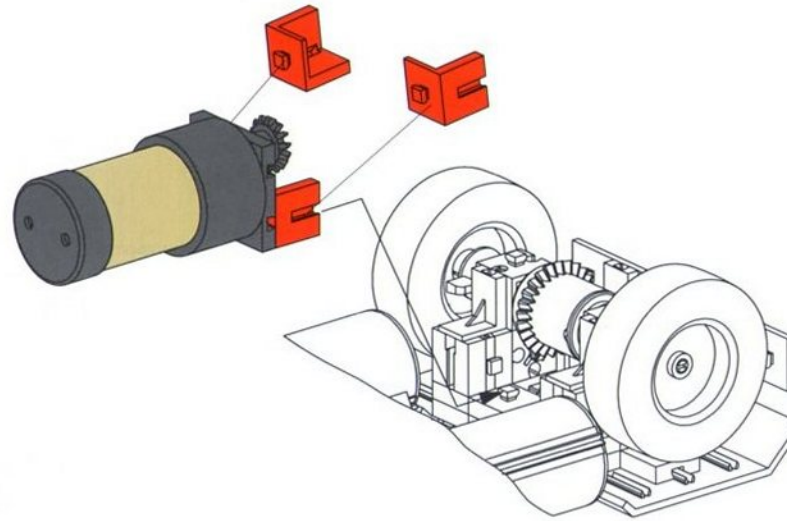
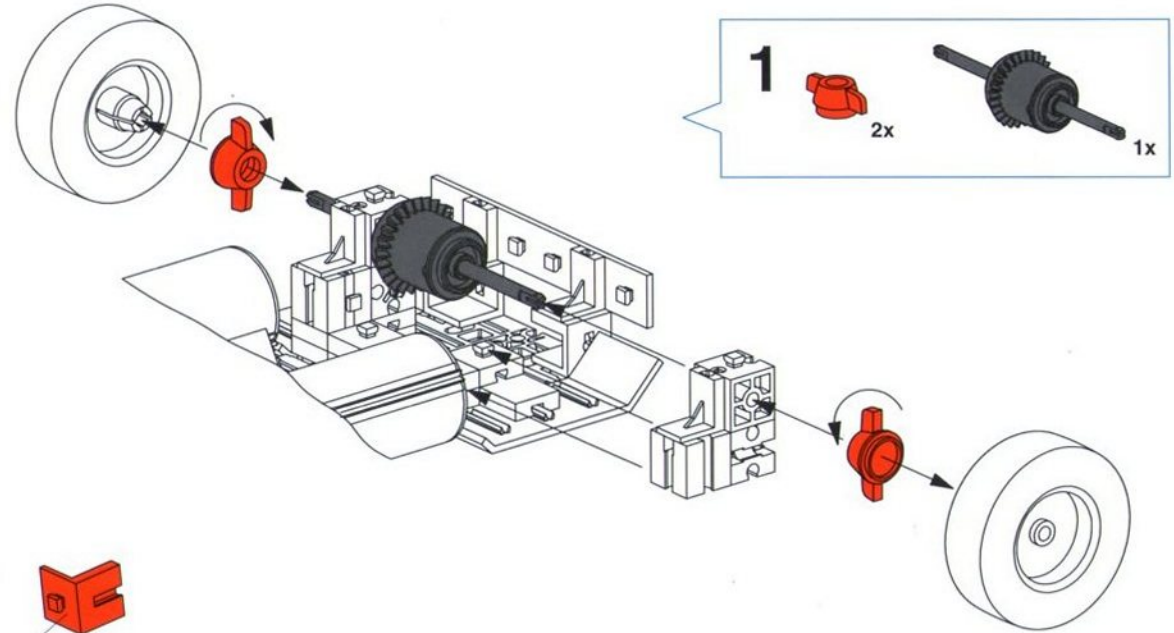
Radantrieb
Wheel drive
Entraînement de roue



Motorisering en afstandsbesturing
Motorización y mando a distancia
Motorização e telecomando

Wiel aandrijving
Accionamiento por ruedas
Tracção às rodas

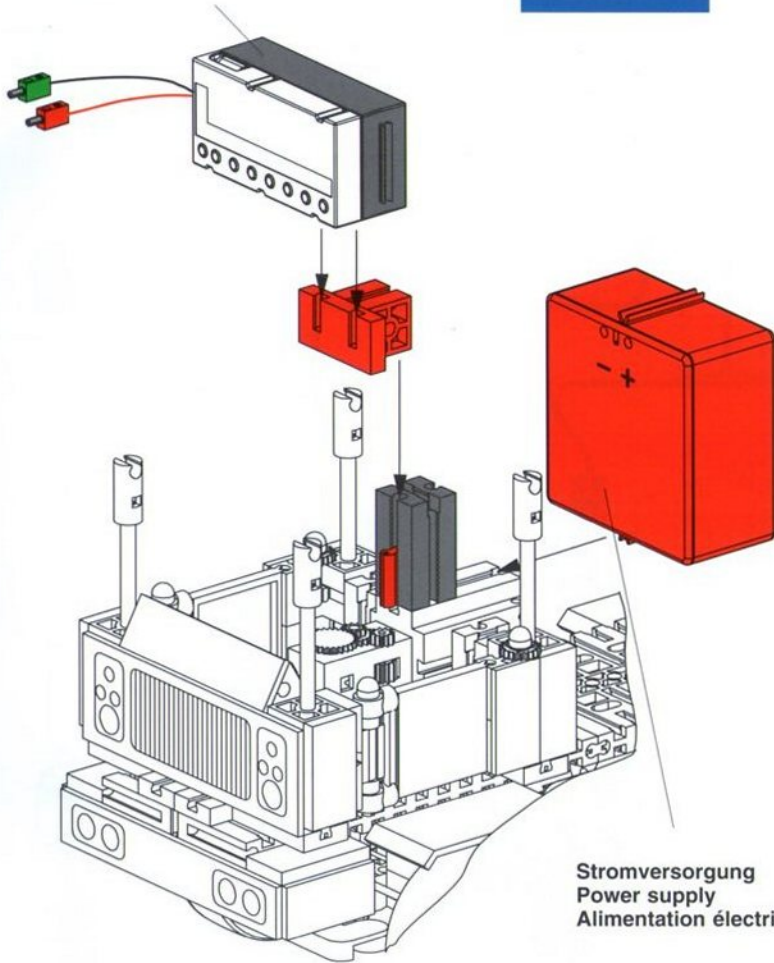
Power Motor
Set
34965



Fernsteuerung
Remote control
Télécommande

Afstandsbesturing
Mando a distancia
Telecomando

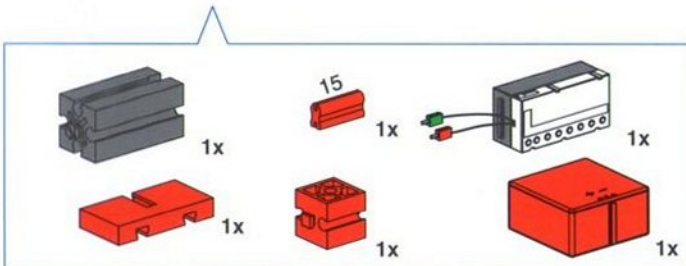
IR Control
Set
30344



Stromversorgung
Power supply
Alimentation électrique

Stroomvoorziening
Alimentación de corriente
Alimentação elétrica

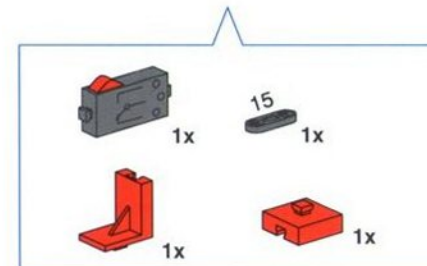
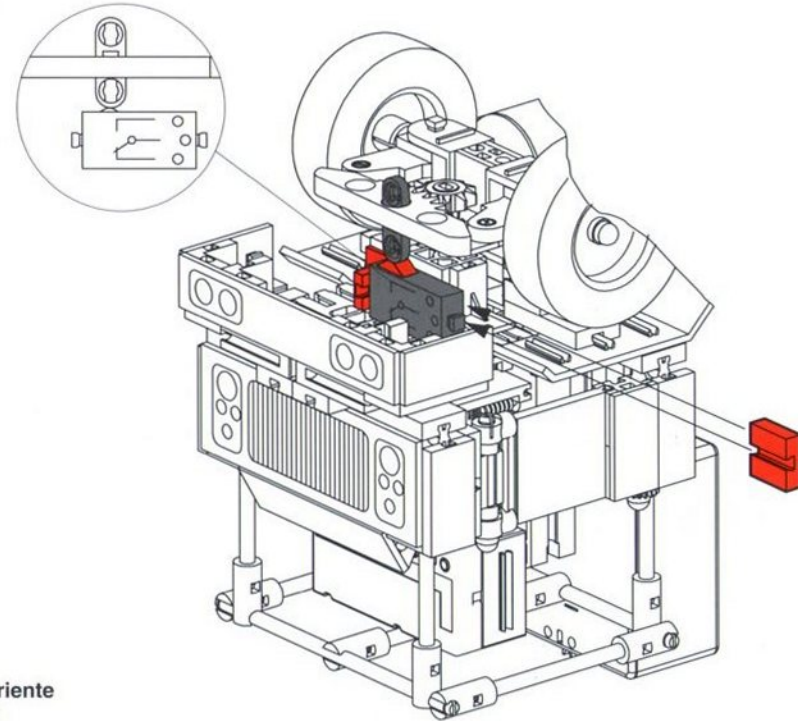
Accu
Set
34969



Servofunktion
Track function
Fonktion direction assistée

Rupsfunctie
Servofuncción
Servofunção

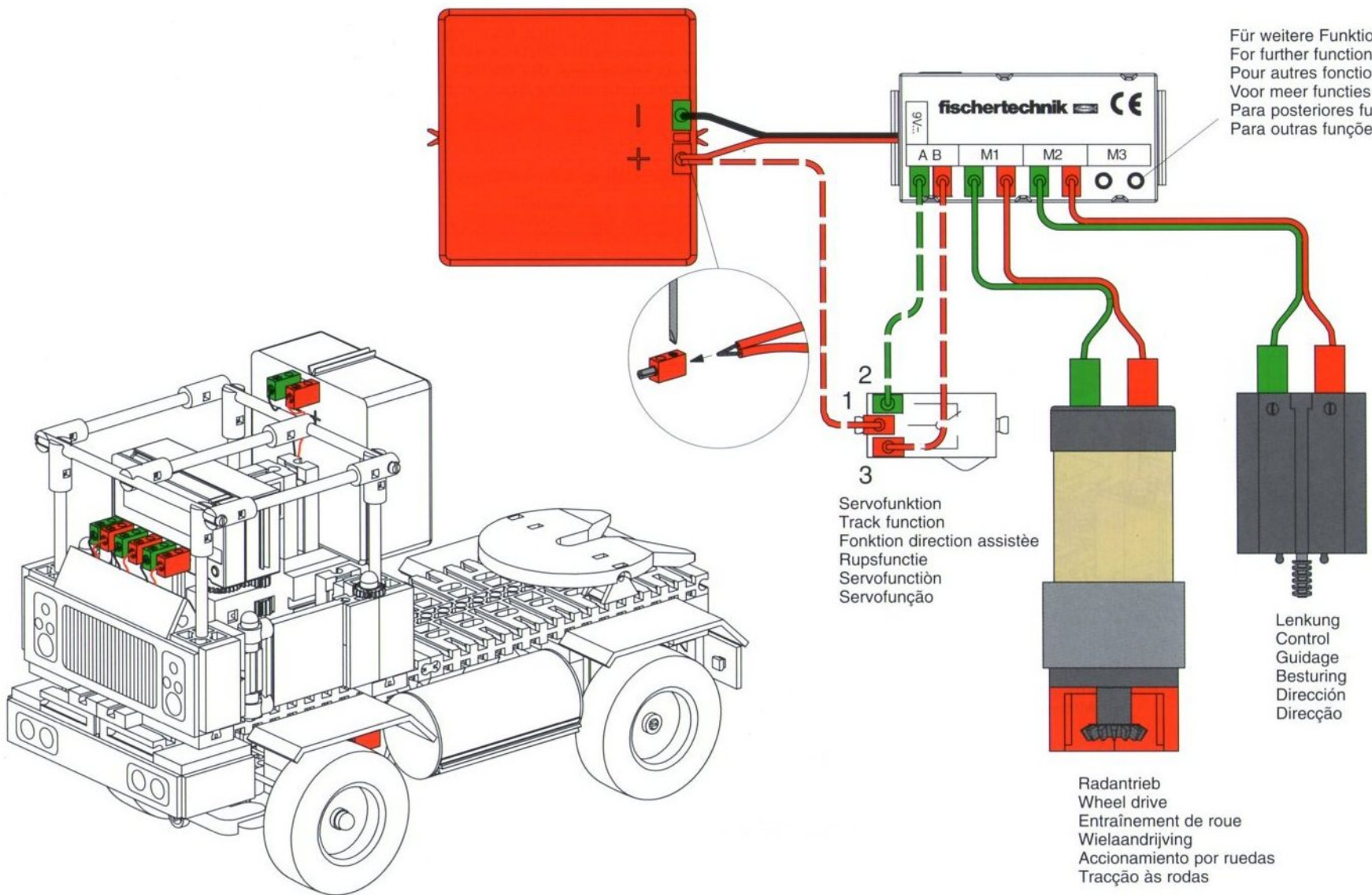
siehe Anleitung IR CONTROL SET – Minitaster, Art.-Nr. 37783, zusätzlich erforderlich
see IR CONTROL SET instructions – Mini-switch (Art. No. 37783) is additionally required
voir notice IR CONTROL SET – Mini-clavier, art. n° 37783, à commander en supplément
zie handleiding IR CONTROL SET – Mini-taster, art.nr. 37783 extra noodzakelijk
ver las instrucciones IR CONTROL SET – Minipalpador, art. n°. 37783, adicionalmente necesario
Vide instruções IR CONTROL SET – Mini-botão, artigo n. 37783, adicionalmente necessário



Schaltplan
Circuit diagram
Plan électrique

Schakelschema
Diagrama de circuitos
Plano elétrico de ligação

Für weitere Funktion
For further functions
Pour autres fonctions
Voor meer functies
Para posteriores funciones
Para outras funções



Servofunktion
Track function
Fonktion direction assistée
Rupsfunctie
Servofunção

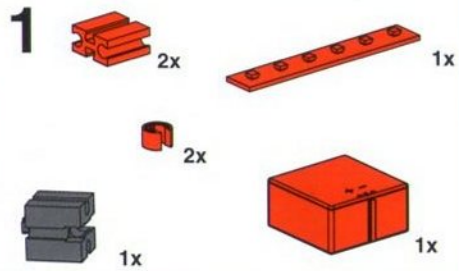
Lenkung
Control
Guidage
Besturing
Dirección
Direcção

Radantrieb
Wheel drive
Entrainement de roue
Wiel aandrijving
Accionamiento por ruedas
Tracção às rodas

Blinklichter
Flashing lights
Feux clignotants

Knipperlichten
Luces intermitentes
Luzes pisca-pisca

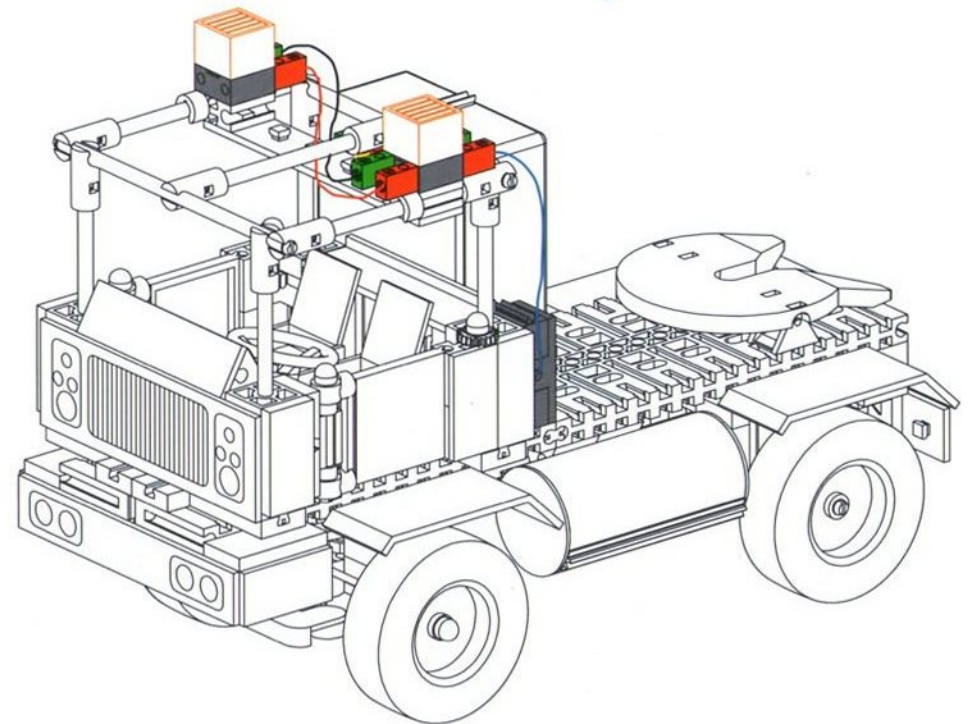
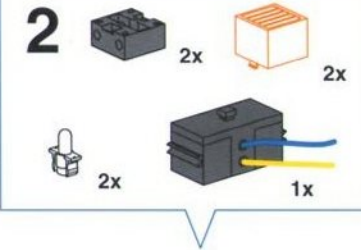
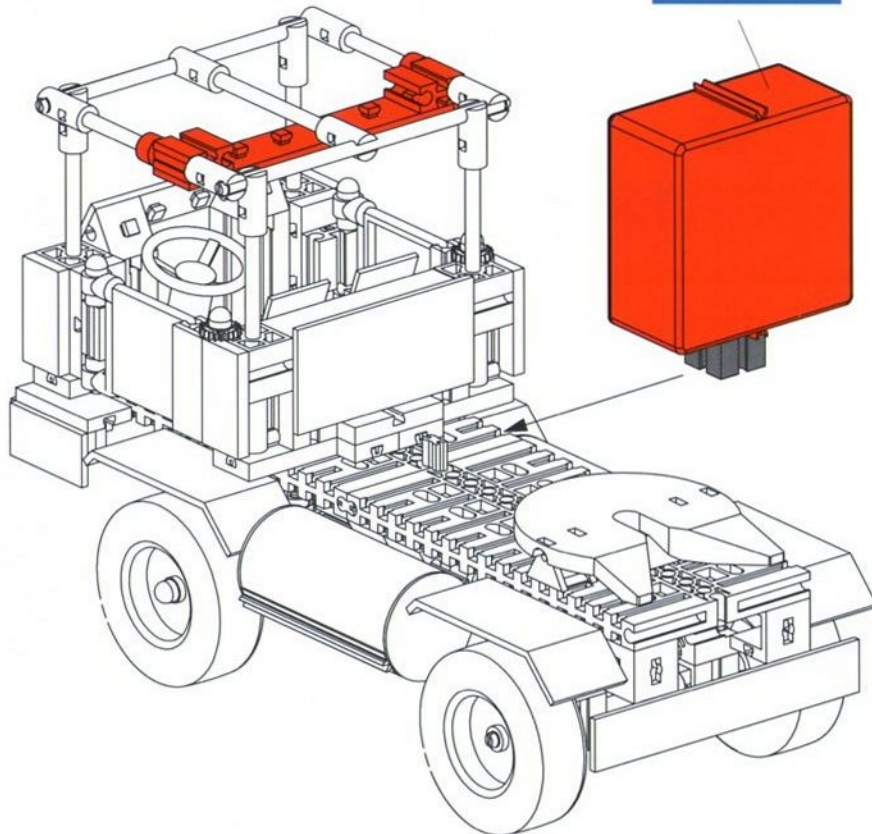
Lights
34970



Stromversorgung
Power supply
Alimentation électrique

Stroomvoorziening
Alimentación de corriente
Alimentação elétrica

Accu
Set
34969



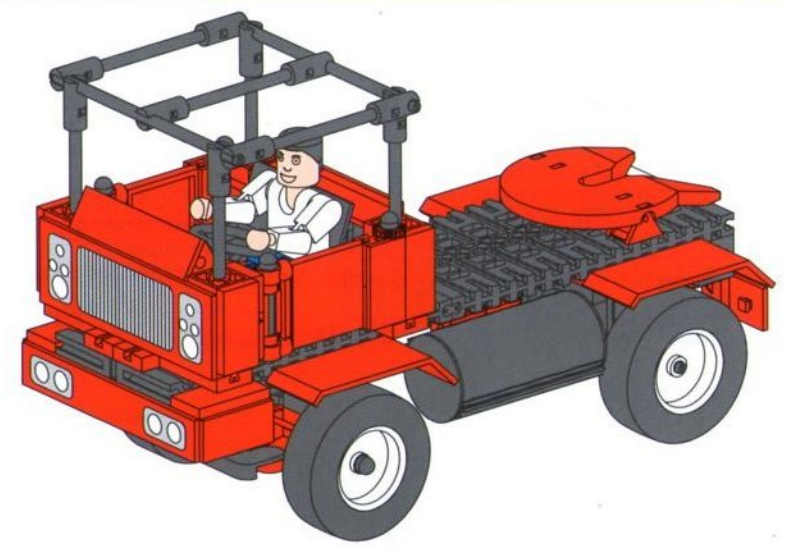
Tieflader
 Low-bed truck
 Semi-remorque à plate-forme surbaissée

Dieplader
 Plataforma baja
 Veículo de plataforma rebaixada



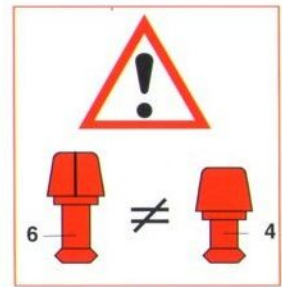
Seite 4
 Page 4
 Page 4
 Bladzijde 4
 Página 4
 Pagina 4

1-11



12

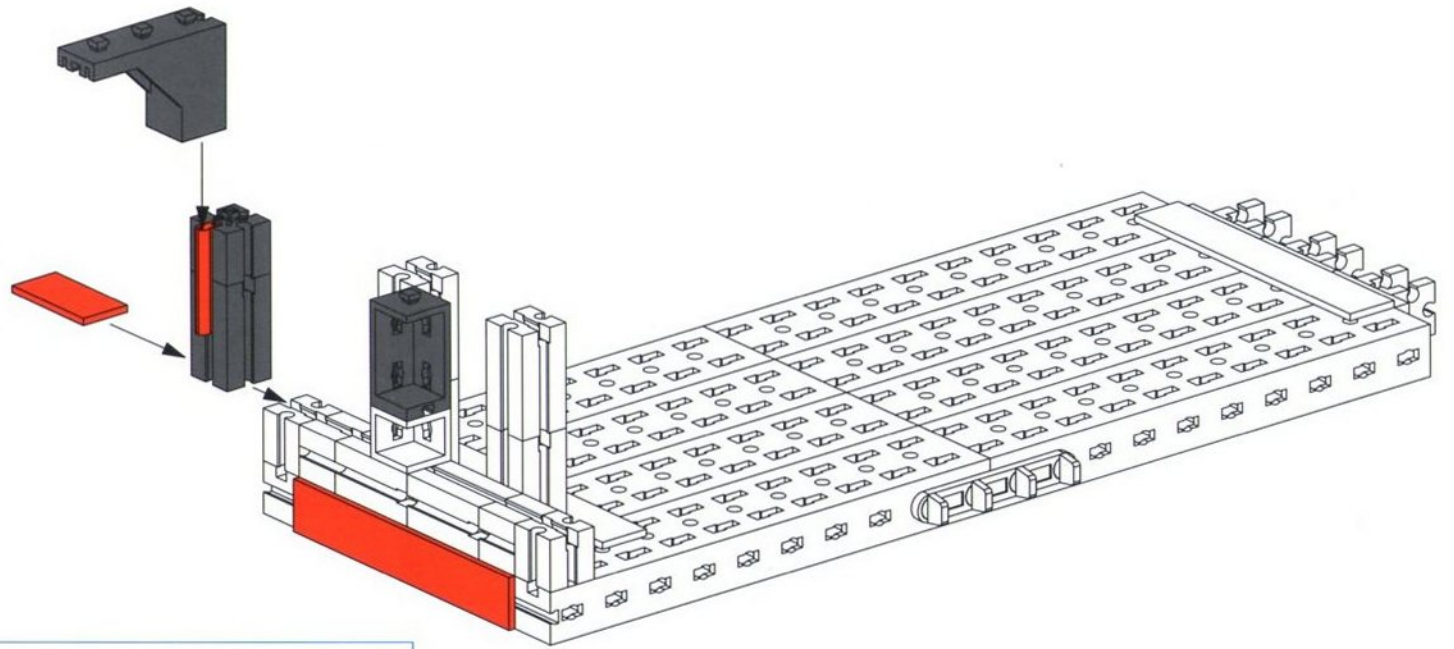
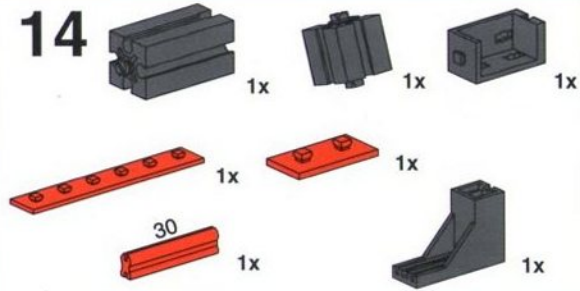
- 4x Red 1x6 Technic Brick
- 4x Yellow 1x6 Technic Brick
- 1x Red 1x6 Technic Brick with Pin
- 2x Grey 1x2 Technic Axle Pin
- 3x Red 1x2 Technic Axle Pin
- 2x Grey 1x5 Technic Axle Pin
- 4x Red 1x2 Technic Pin
- 8x Red 1x2 Technic Pin



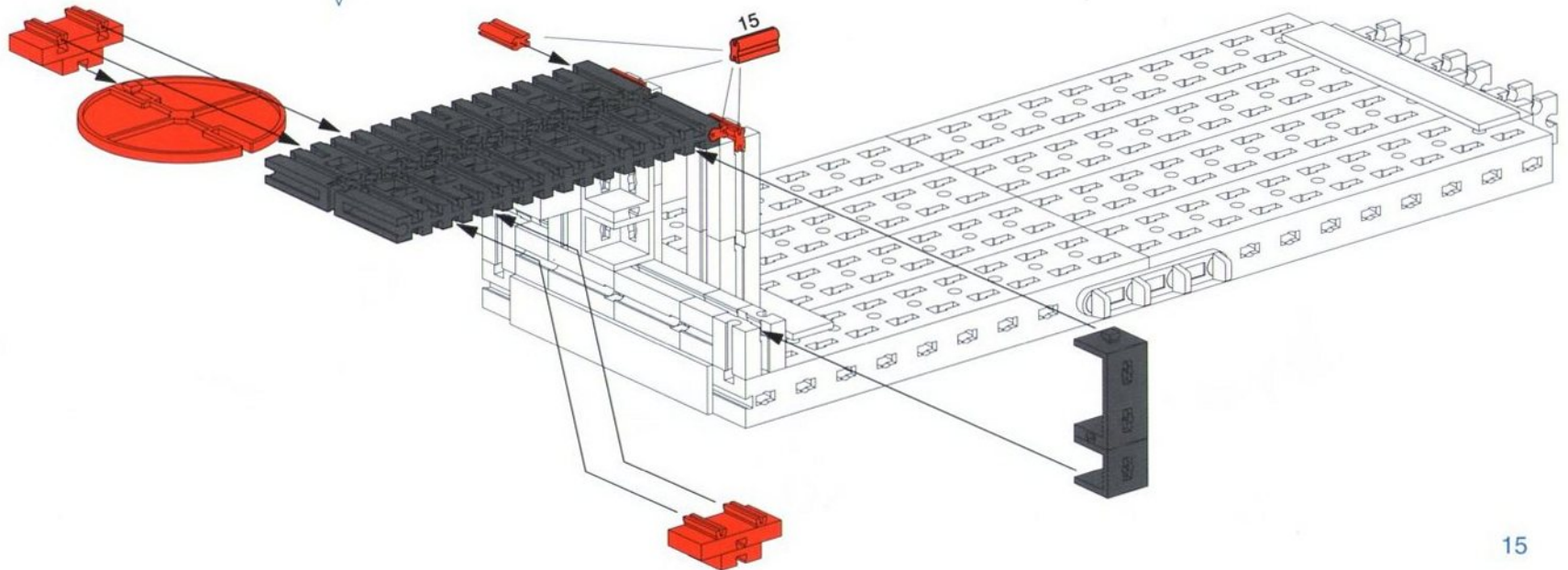
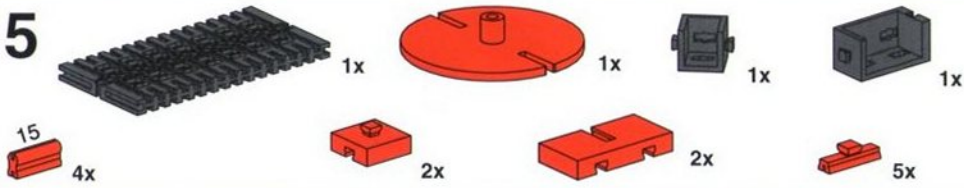
13

- 4x Grey 1x2 Technic Axle Pin
- 3x Grey 1x2 Technic Axle Pin
- 1x Grey 1x2 Technic Axle Pin
- 1x Grey 1x2 Technic Axle Pin
- 6x Red 1x2 Technic Pin
- 1x Red 1x6 Technic Brick
- 3x Red 1x2 Technic Pin

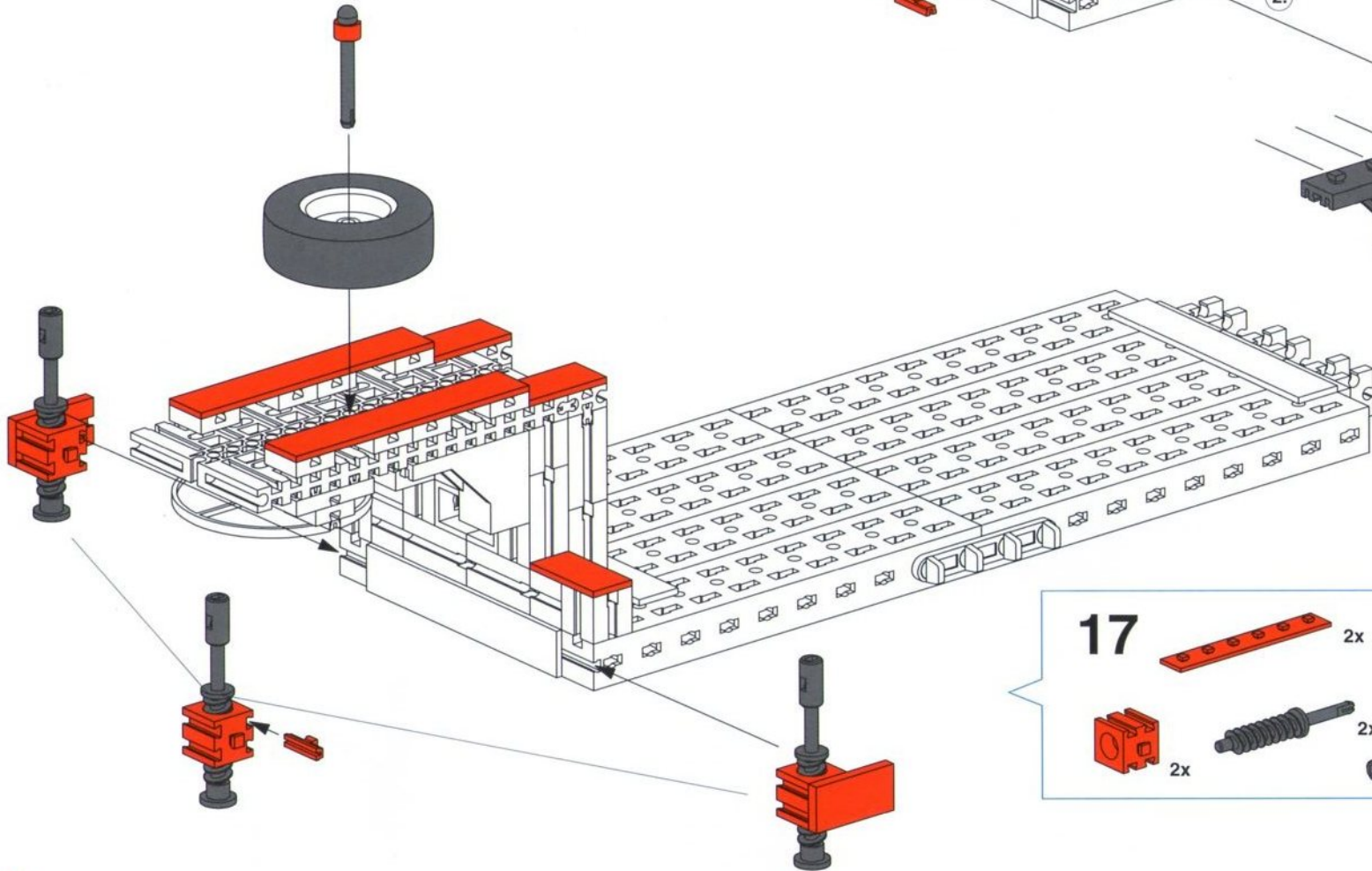
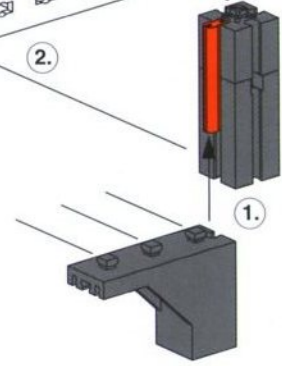
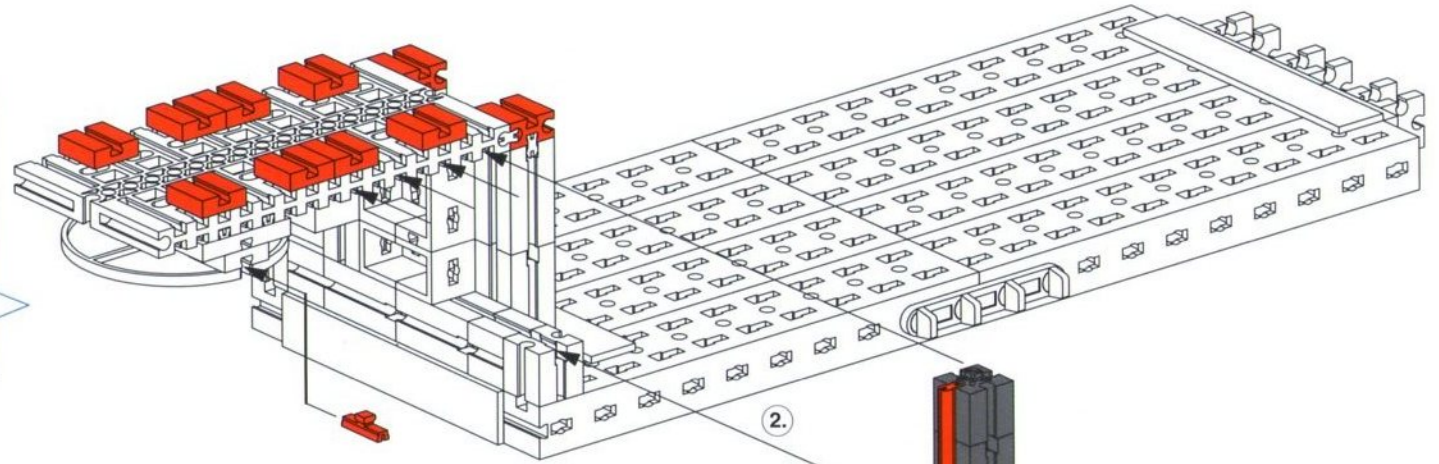
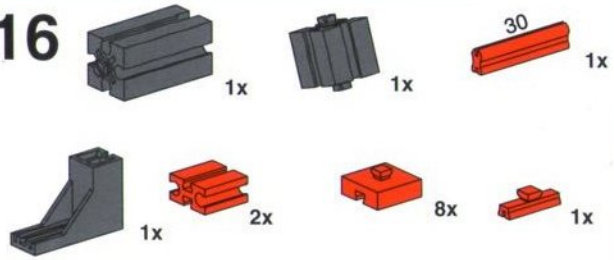
14



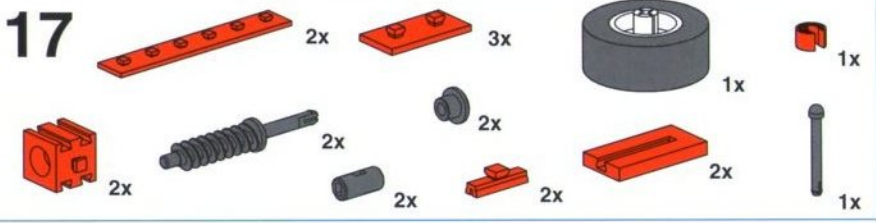
15

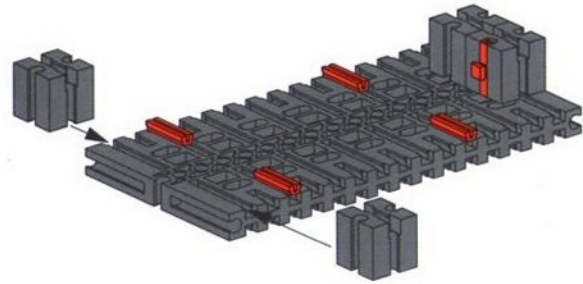


16

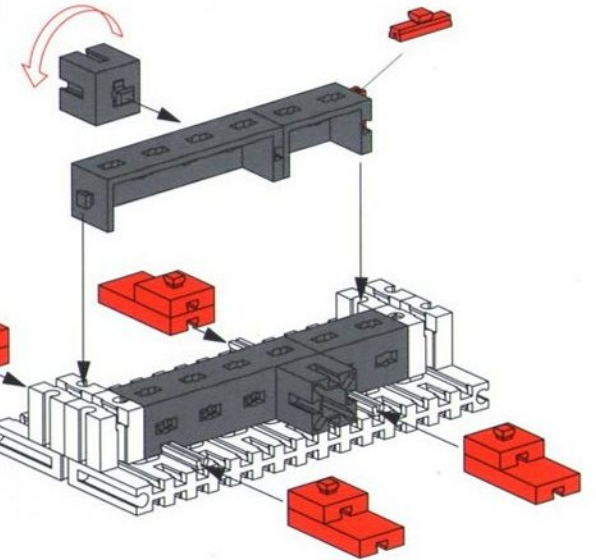
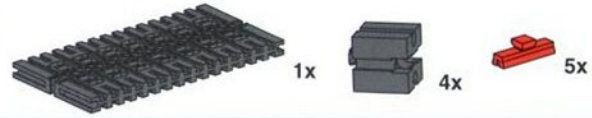


17

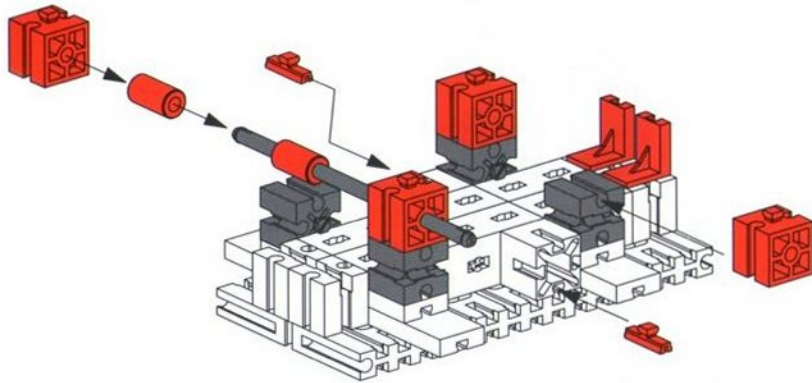




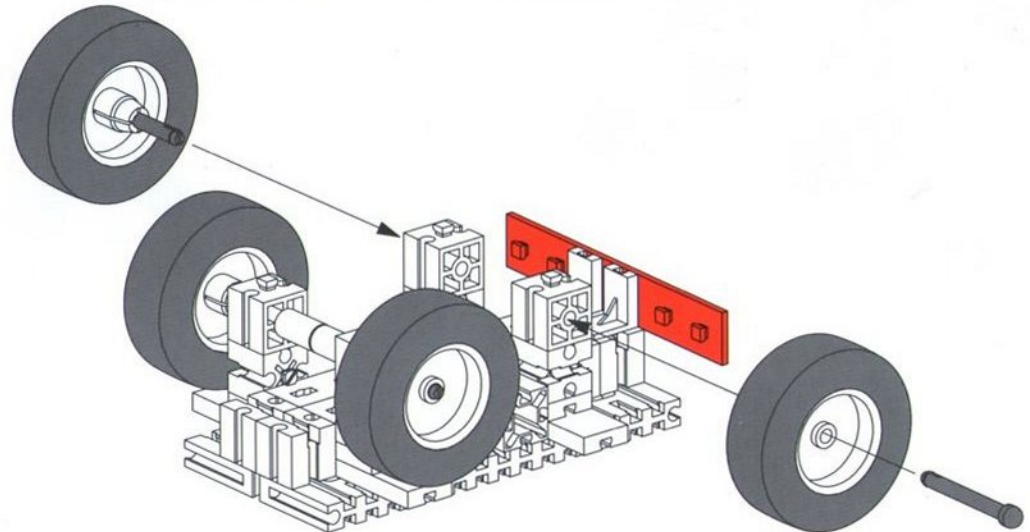
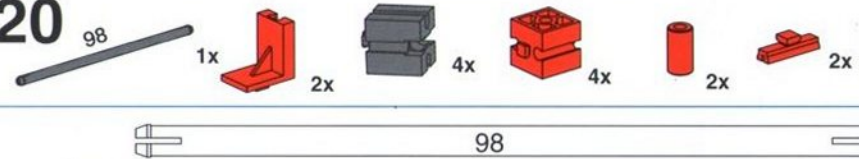
18



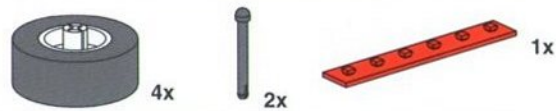
19

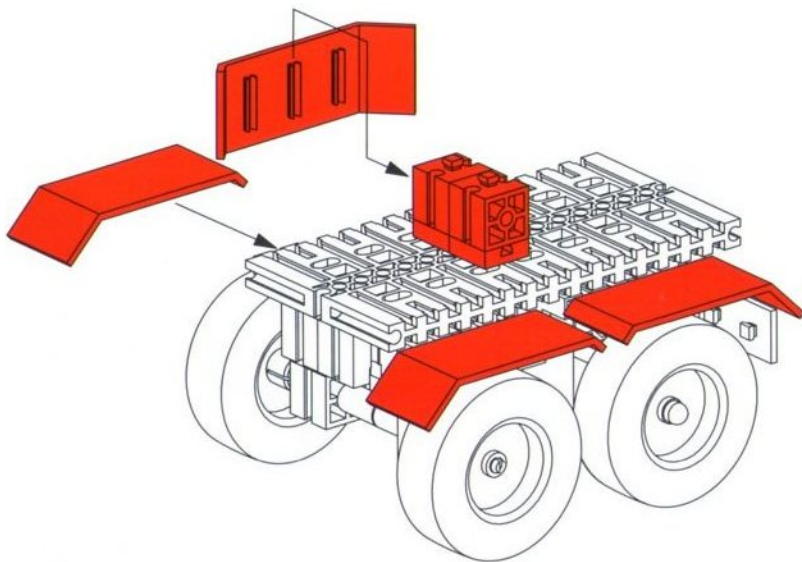


20



21



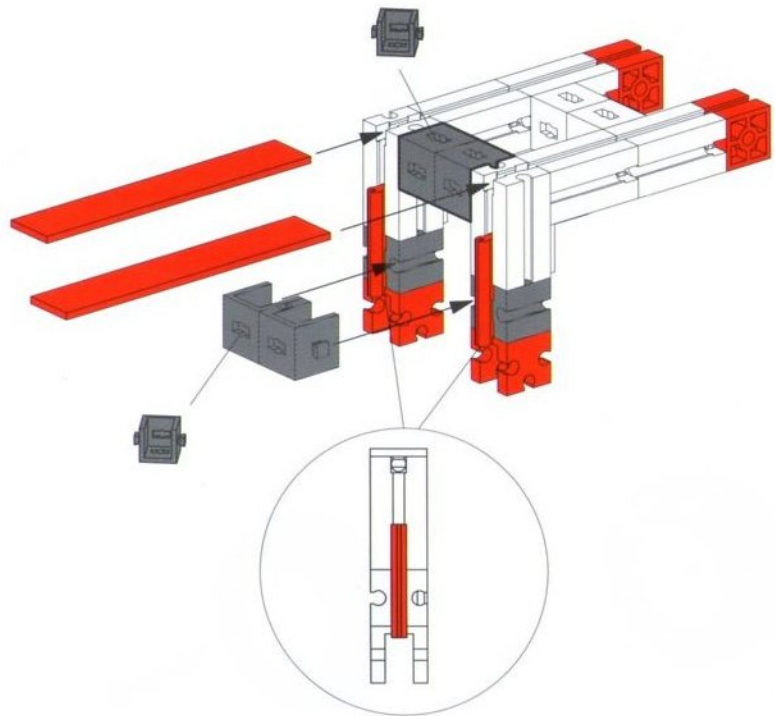
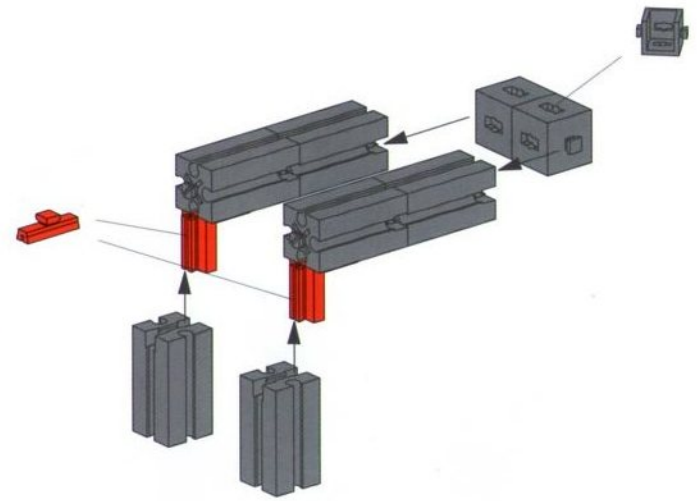


22

| | | | | | |
|--|----|--|----|--|----|
| | 4x | | 2x | | 2x |
|--|----|--|----|--|----|

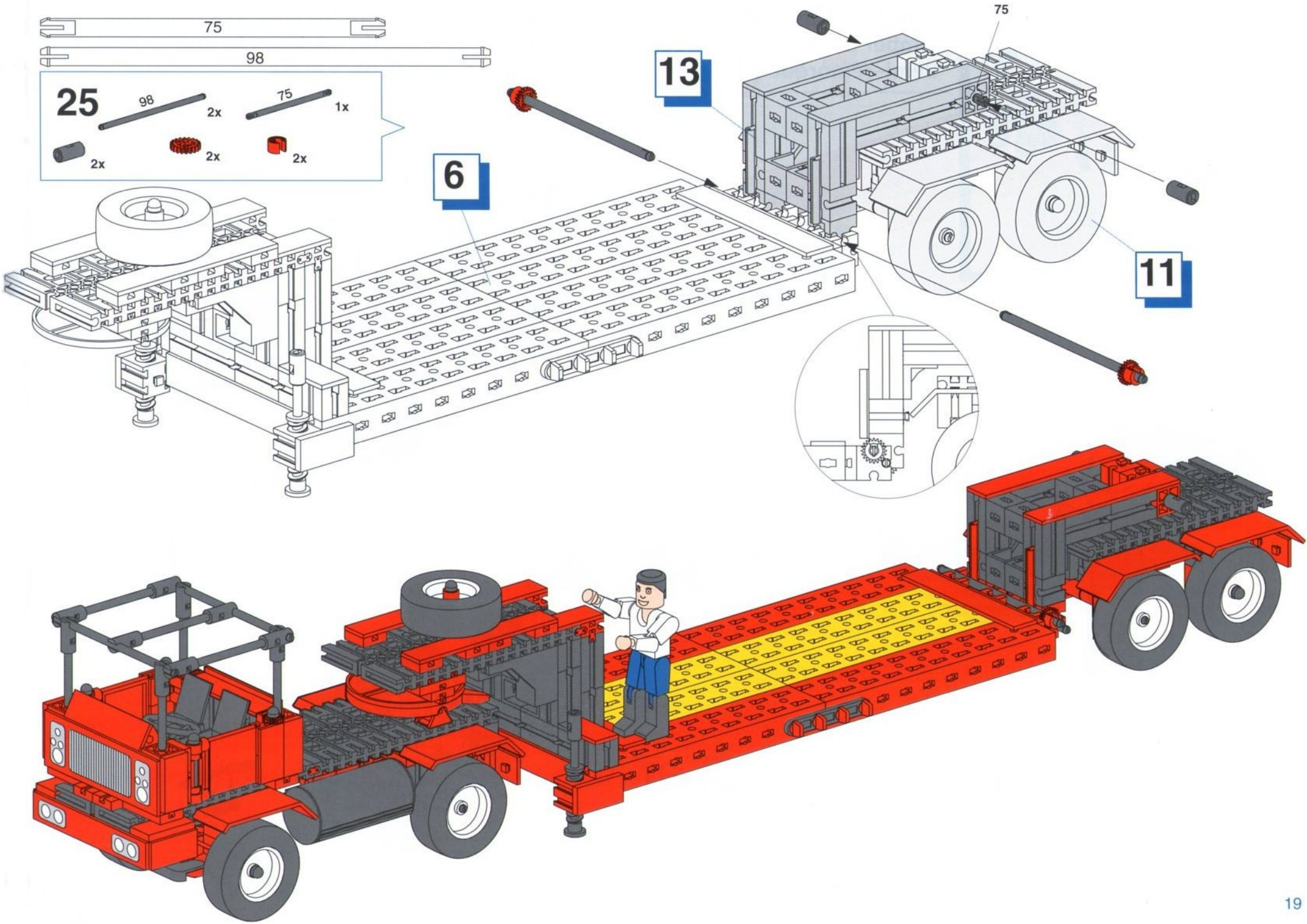
23

| | | | | | | | | | |
|--|----|--|----|--|----|--|----|--|----|
| | 6x | | 2x | | 2x | | 1x | | 1x |
|--|----|--|----|--|----|--|----|--|----|



24

| | | | | | | | |
|--|----|--|----|--|----|--|----|
| | 3x | | 2x | | 2x | | |
| | 2x | | 2x | | 2x | | 2x |



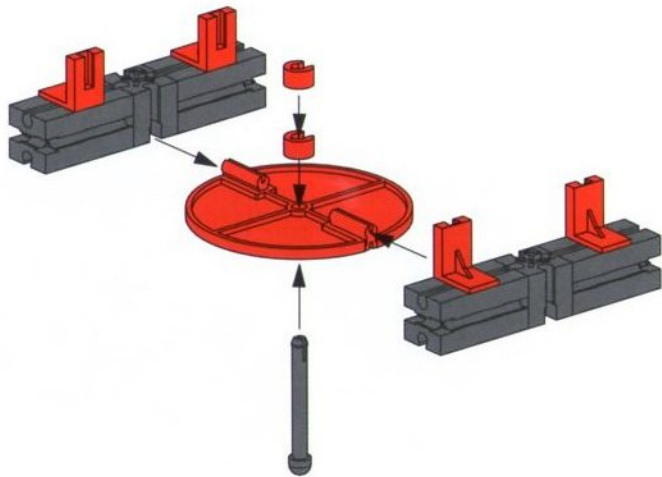
Langholztransporter
 Timber truck
 Semi-remorque à long bois

Vrachtwagen voor vervoer van lang hout
 Transportador de maderos largos
 Transportador para toras



1-11

Seite 4
 Page 4
 Page 4
 Bladzijde 4
 Página 4
 Pagina 4

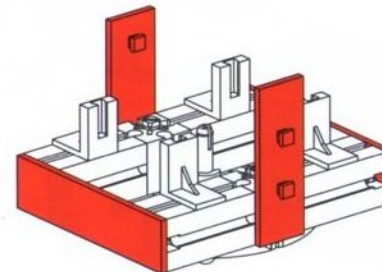


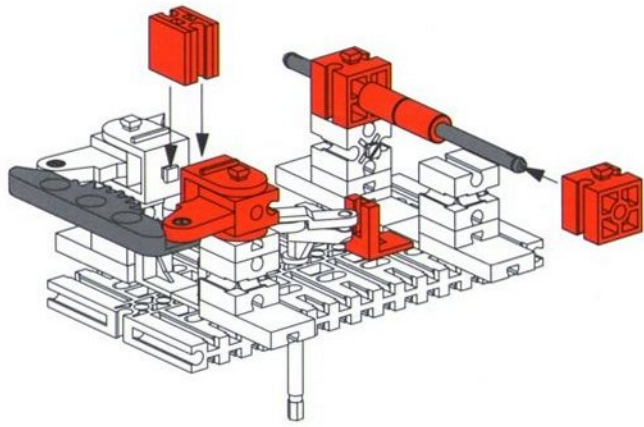
12

4x 2x 4x 1x 2x 1x 2x

13

2x 2x





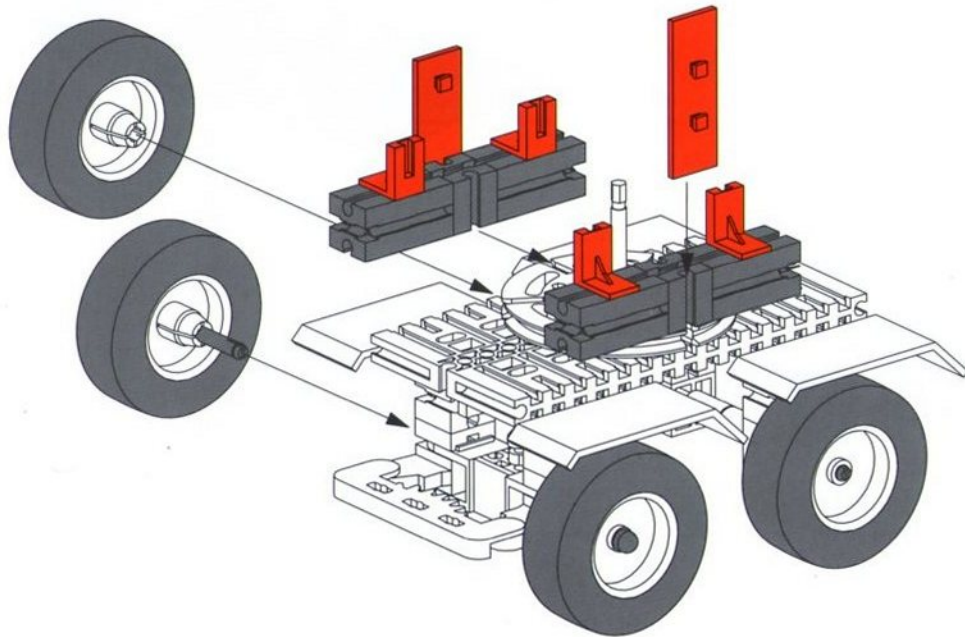
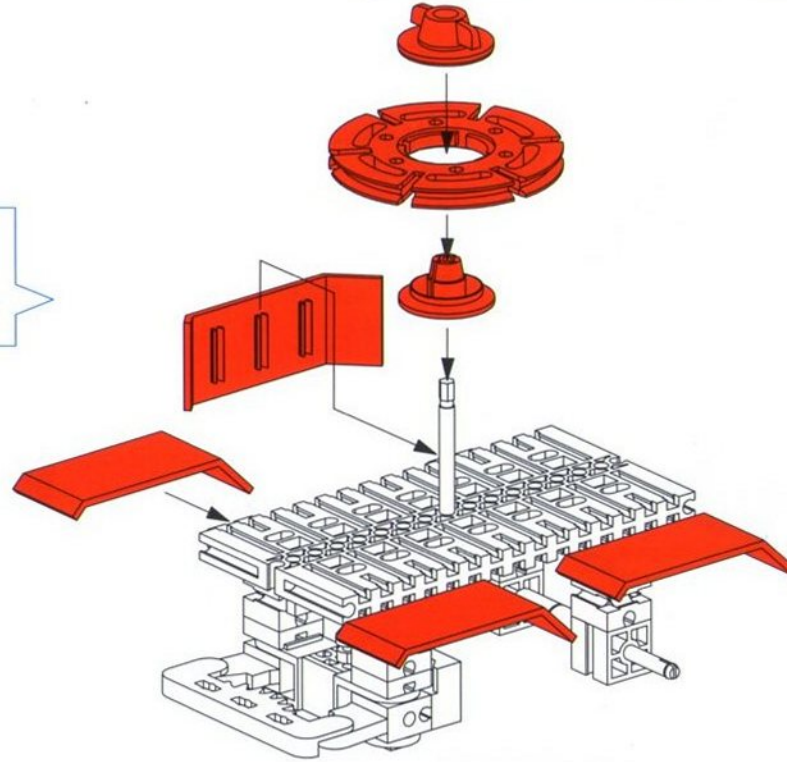
17

- 1x [Grey gear assembly]
- 1x [Red motor housing]
- 2x [Red small square]
- 98 [Grey axle]
- 1x [Red pin]
- 2x [Red bush]
- 2x [Red connector]
- 1x [Red support]
- 1x [Red L-shaped piece]

98

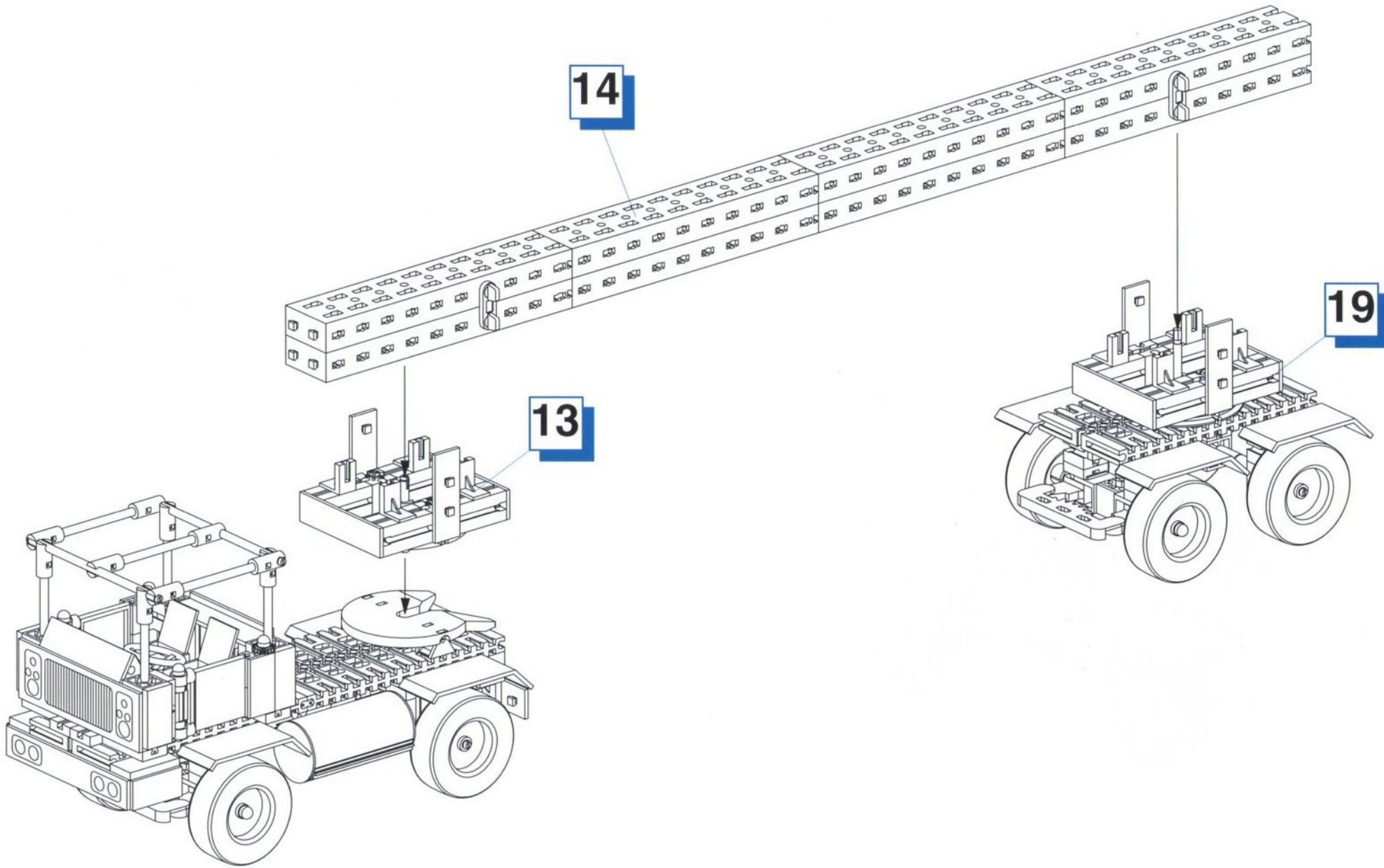
18

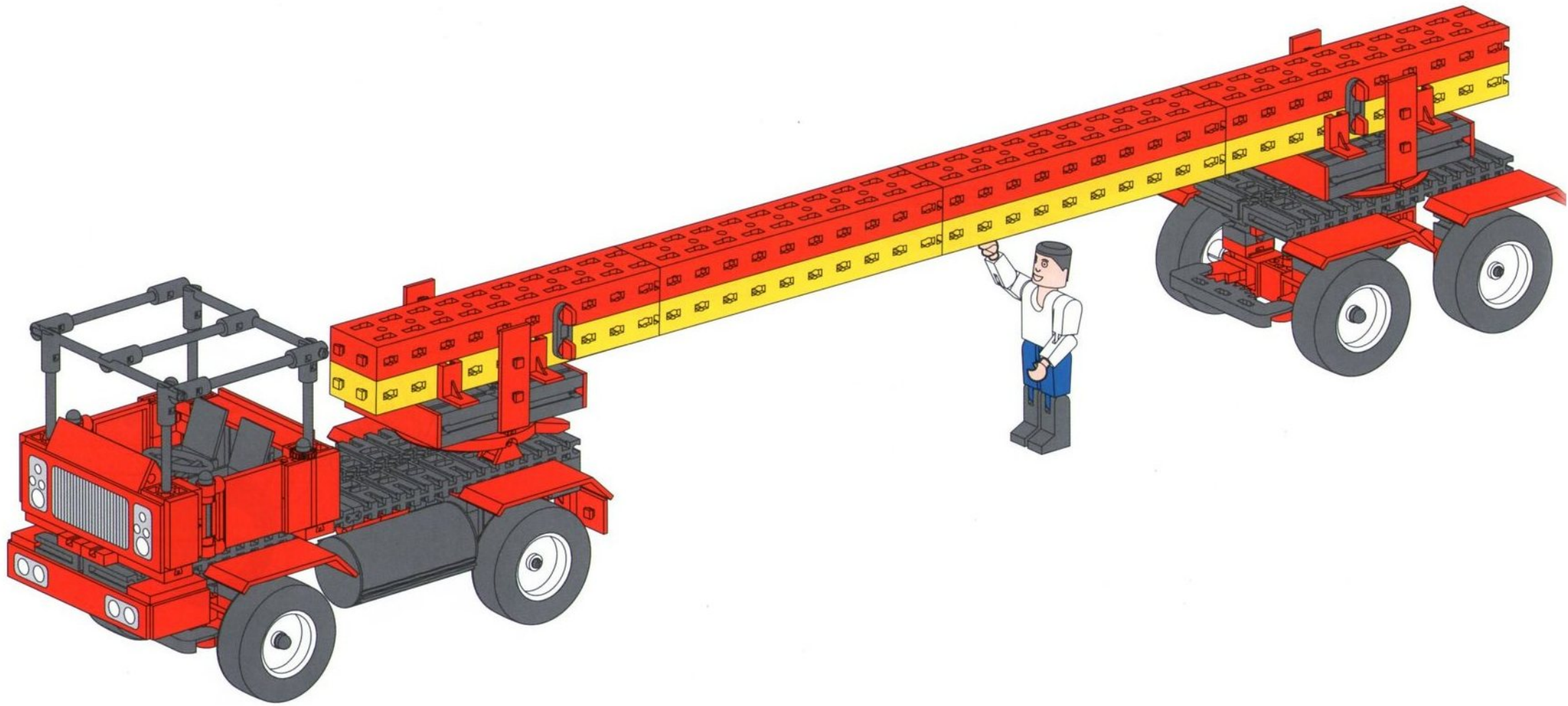
- 4x [Red angled plate]
- 1x [Red bush]
- 1x [Red gear ring]
- 1x [Red bush]



19

- 2x [Red axle]
- 2x [Grey connector]
- 4x [Red support]
- 4x [Grey axle]
- 4x [Grey wheel]
- 2x [Grey pin]





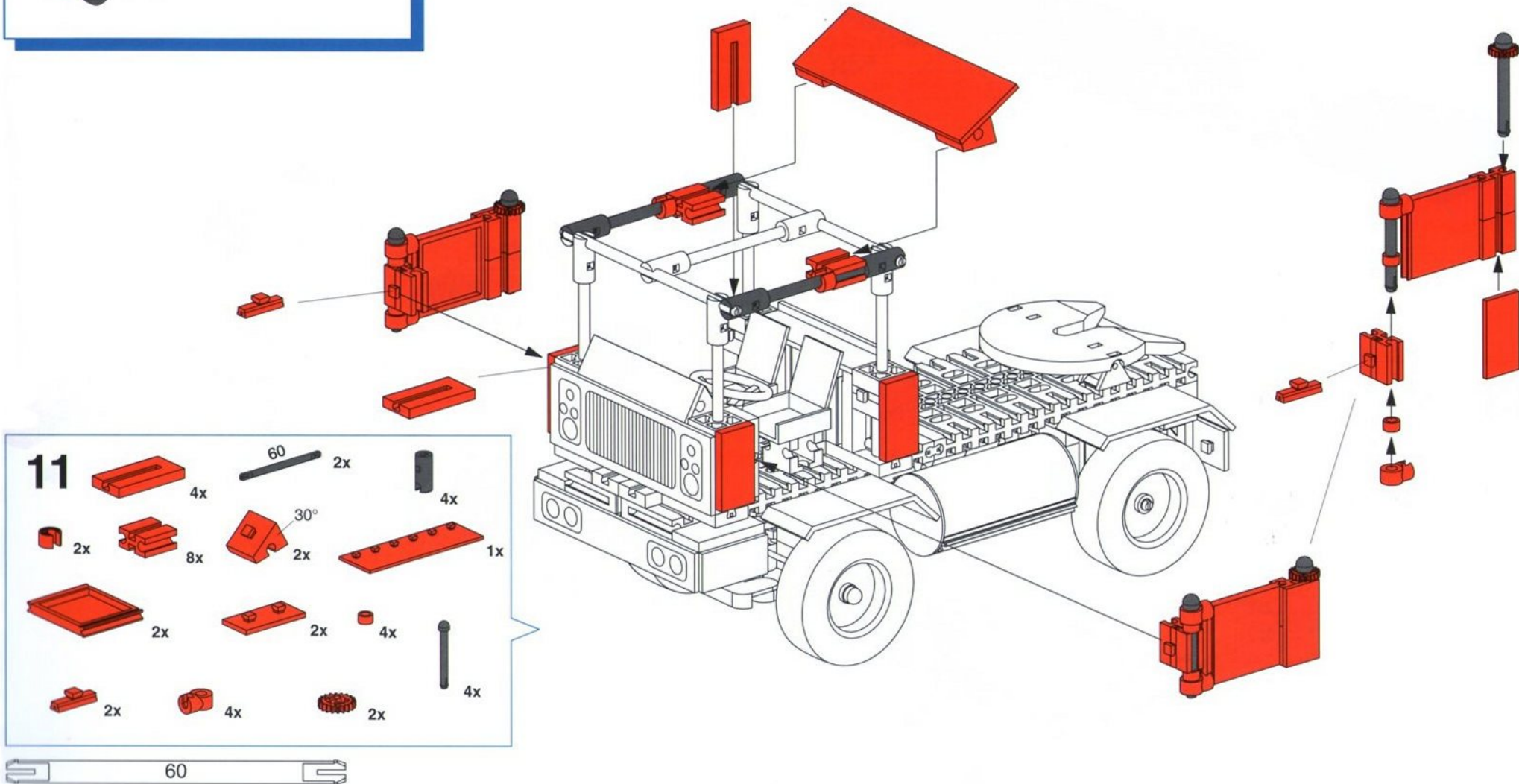
Sattelzug
Articulated truck
Semi-remorque

Opleggercombinatie
Semiremolque
Tractor de semi-reboque

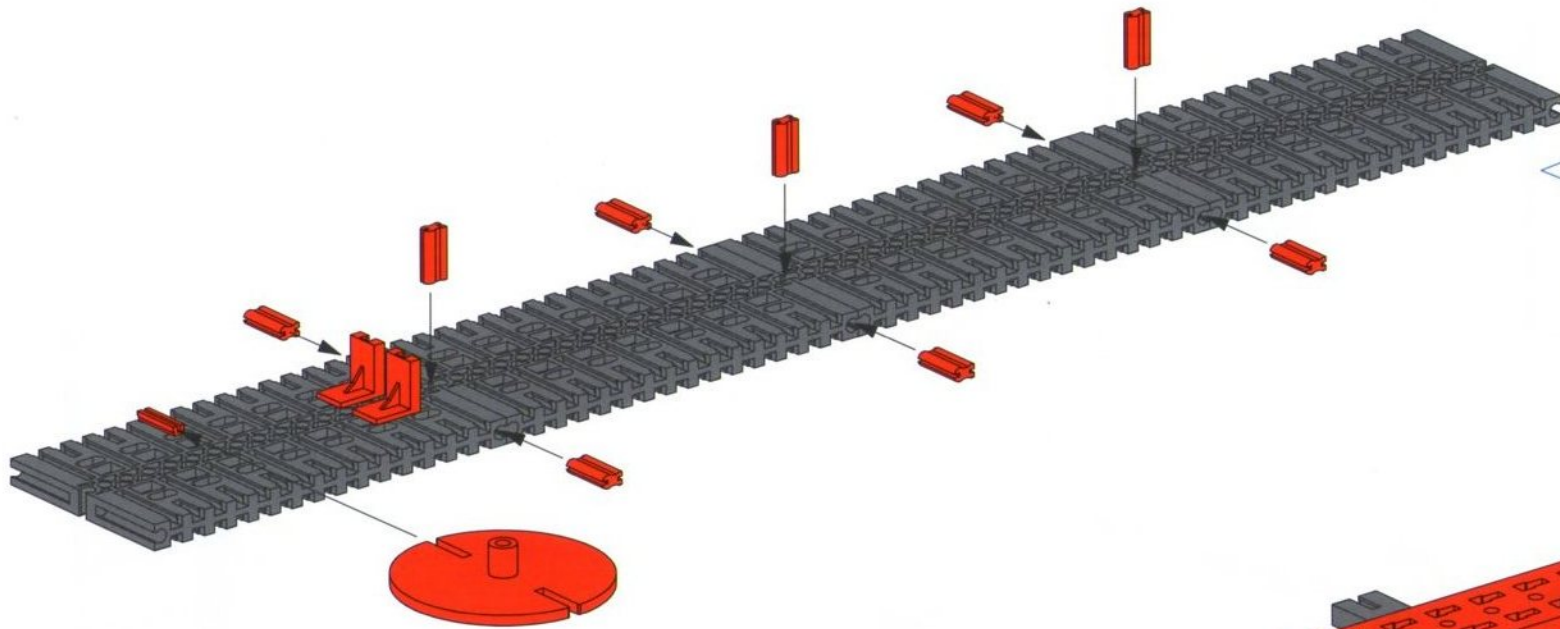


1-10

| | |
|-----------|---|
| Seite | 4 |
| Page | 4 |
| Page | 4 |
| Bladzijde | 4 |
| Página | 4 |
| Pagina | 4 |



- 11**
- 4x [Red 1x4 Technic Beam]
 - 2x [Black Technic Pin, length 60]
 - 4x [Black Technic Pin]
 - 2x [Red Technic Pin]
 - 8x [Red Technic Pin]
 - 2x [Red 30-degree Technic Connector]
 - 1x [Red 1x6 Technic Beam]
 - 2x [Red Technic Plate]
 - 2x [Red Technic Plate]
 - 2x [Red Technic Pin]
 - 4x [Red Technic Pin]
 - 4x [Black Technic Pin]
 - 2x [Red Technic Pin]
 - 4x [Red Technic Pin]
 - 2x [Red Technic Gear]
 - 4x [Black Technic Pin]

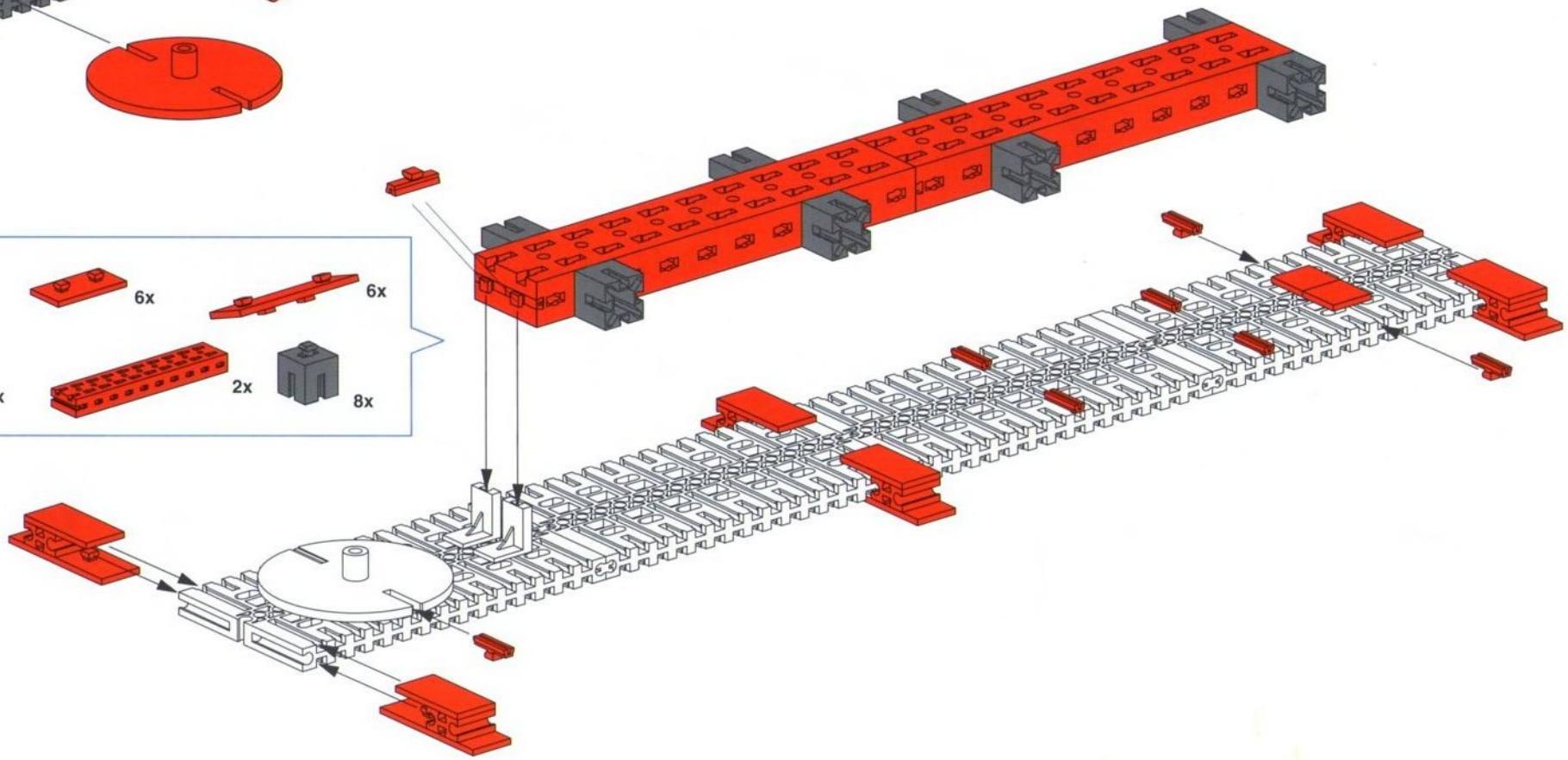


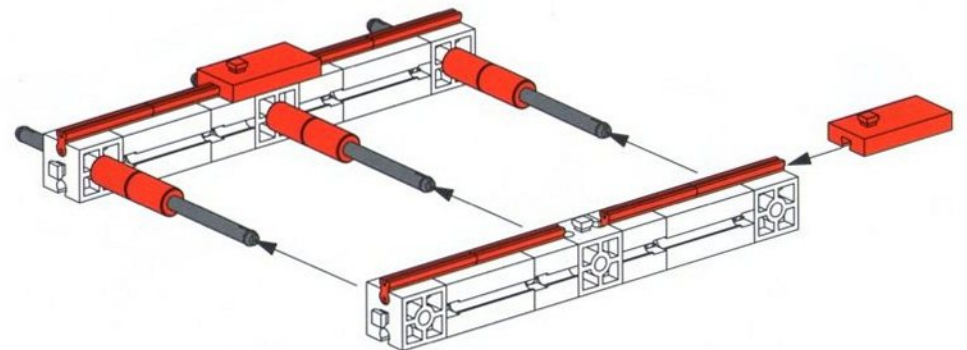
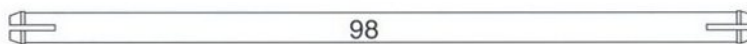
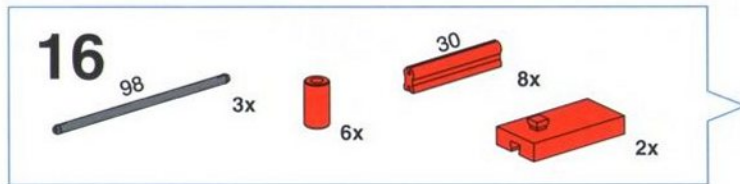
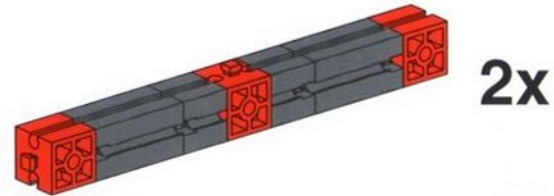
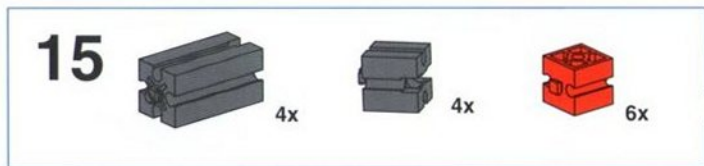
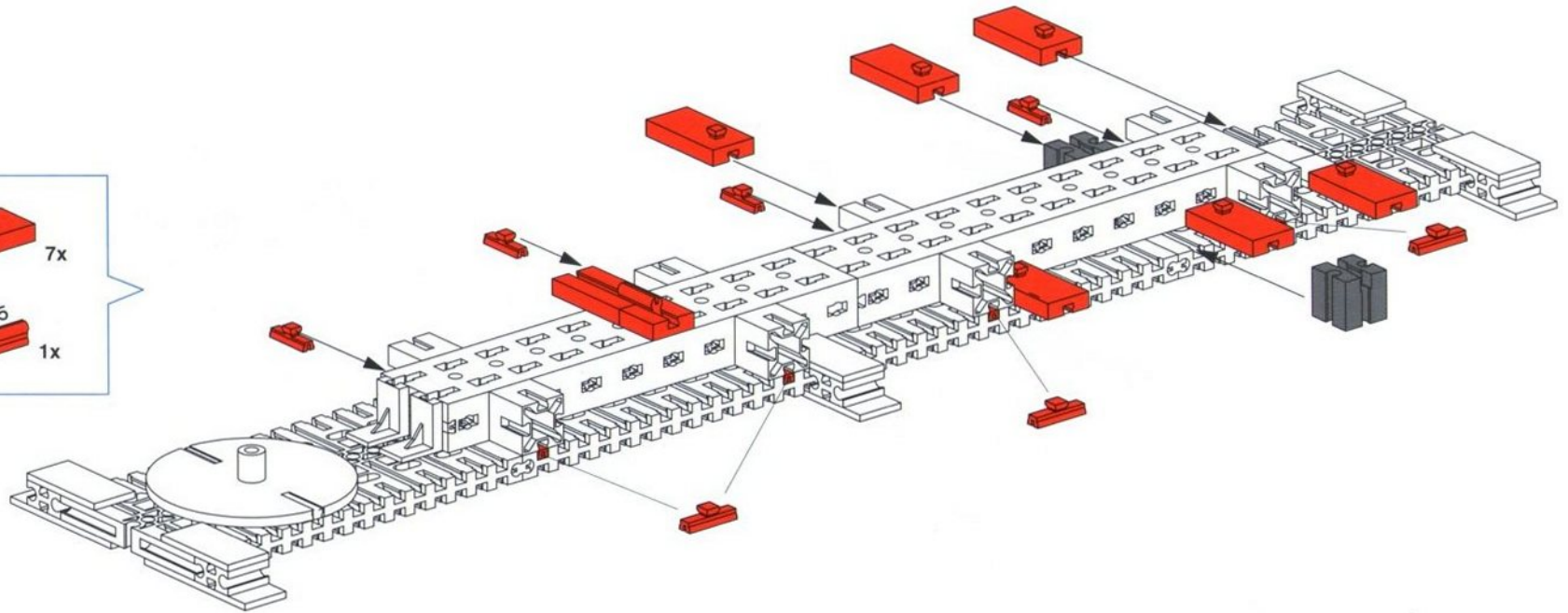
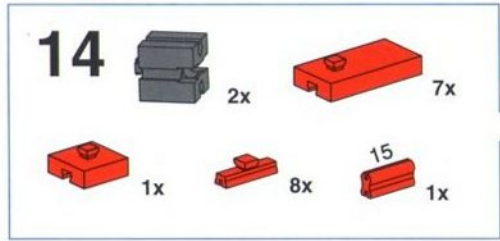
12

- 4x [Grey Technic Beam 1x15]
- 2x [Red Technic Pin]
- 1x [Red Technic Pin]
- 9x [Red Technic Pin 15]
- 1x [Red Technic Plate 15]

13

- 6x [Red Technic Pin]
- 6x [Red Technic Pin]
- 6x [Red Technic Pin]
- 2x [Red Technic Pin]
- 9x [Red Technic Pin]
- 2x [Red Technic Beam 1x10]
- 8x [Grey Technic Pin]





17



2x



1x



1x

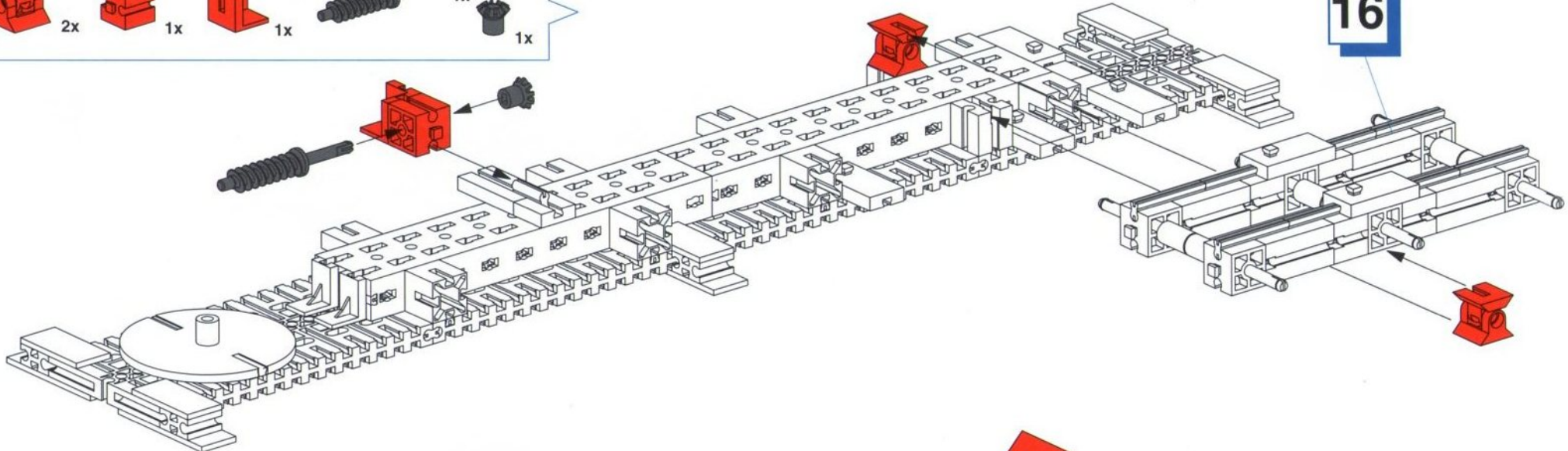


1x



1x

16



18



6x



1x



1x



1x



2x



1x



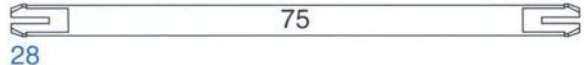
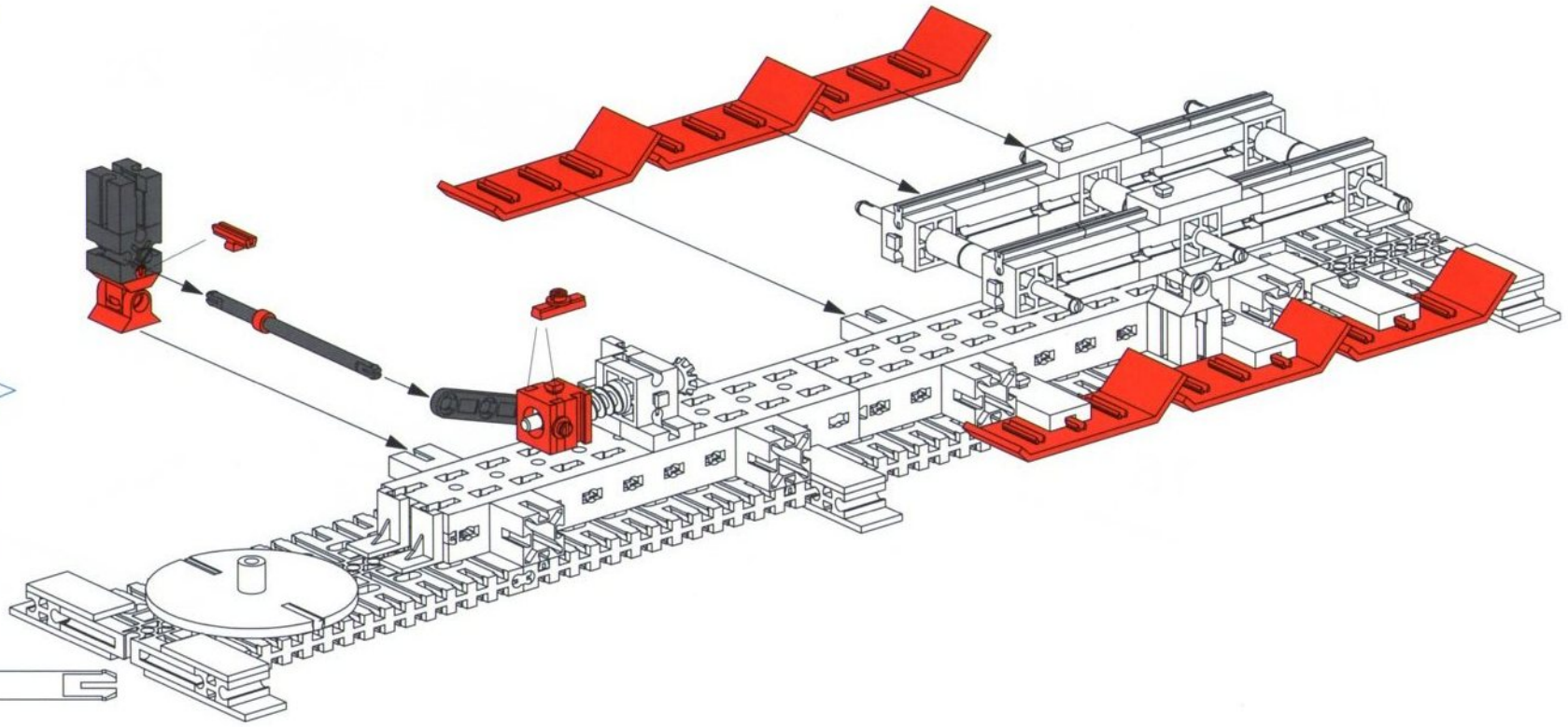
1x



1x



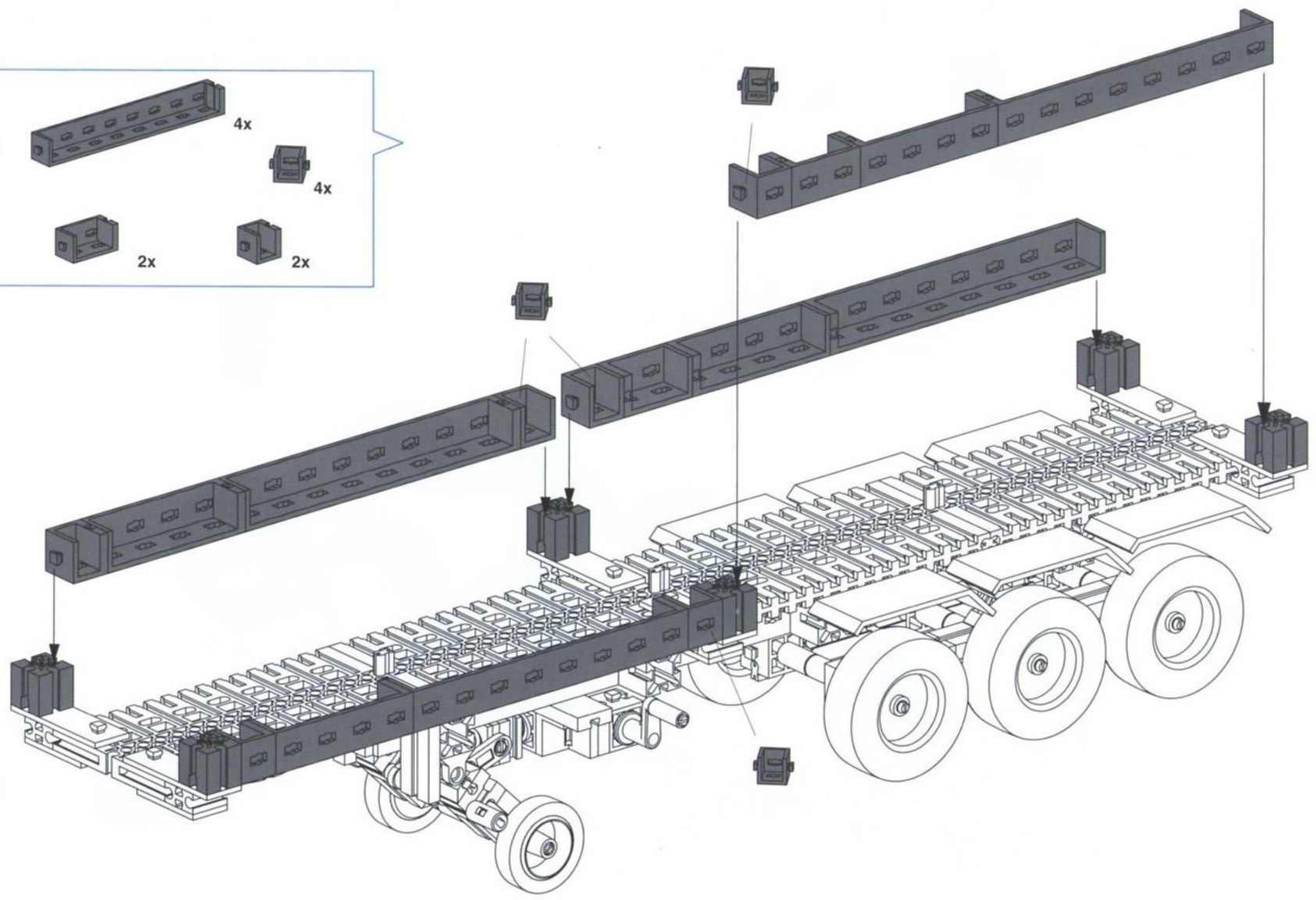
1x



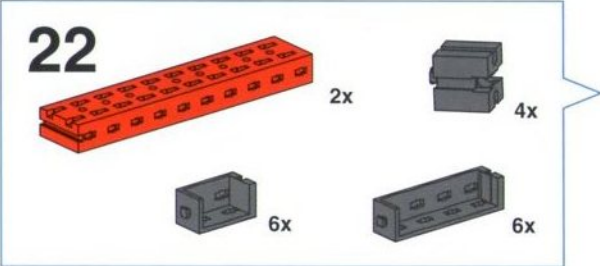
28

21

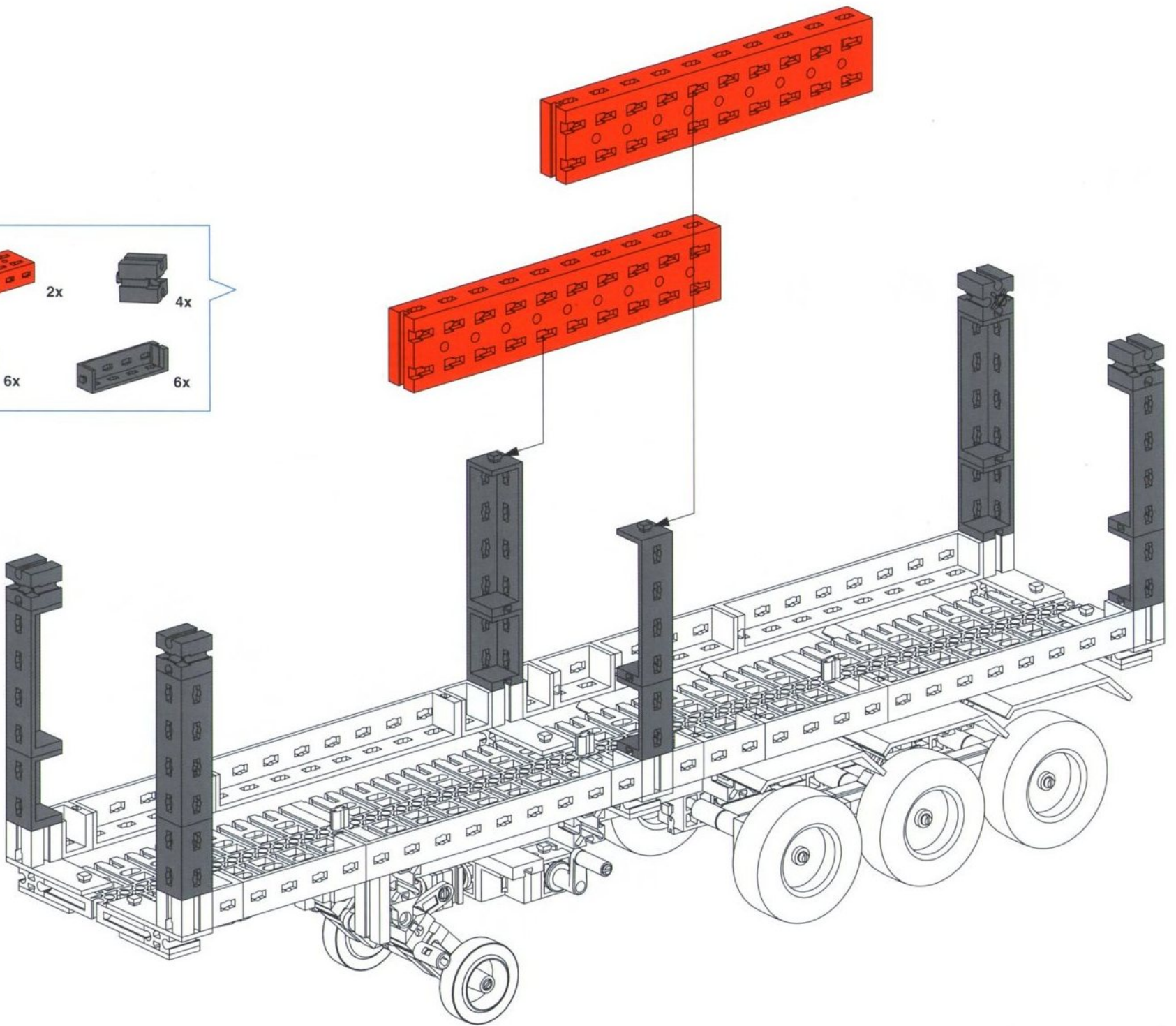
- 6x [Small rectangular connector]
- 4x [Long Technic beam with 10 holes]
- 4x [Small rectangular connector]
- 4x [Small rectangular connector]
- 4x [Short Technic beam with 3 holes]
- 2x [Small rectangular connector]
- 2x [Small rectangular connector]



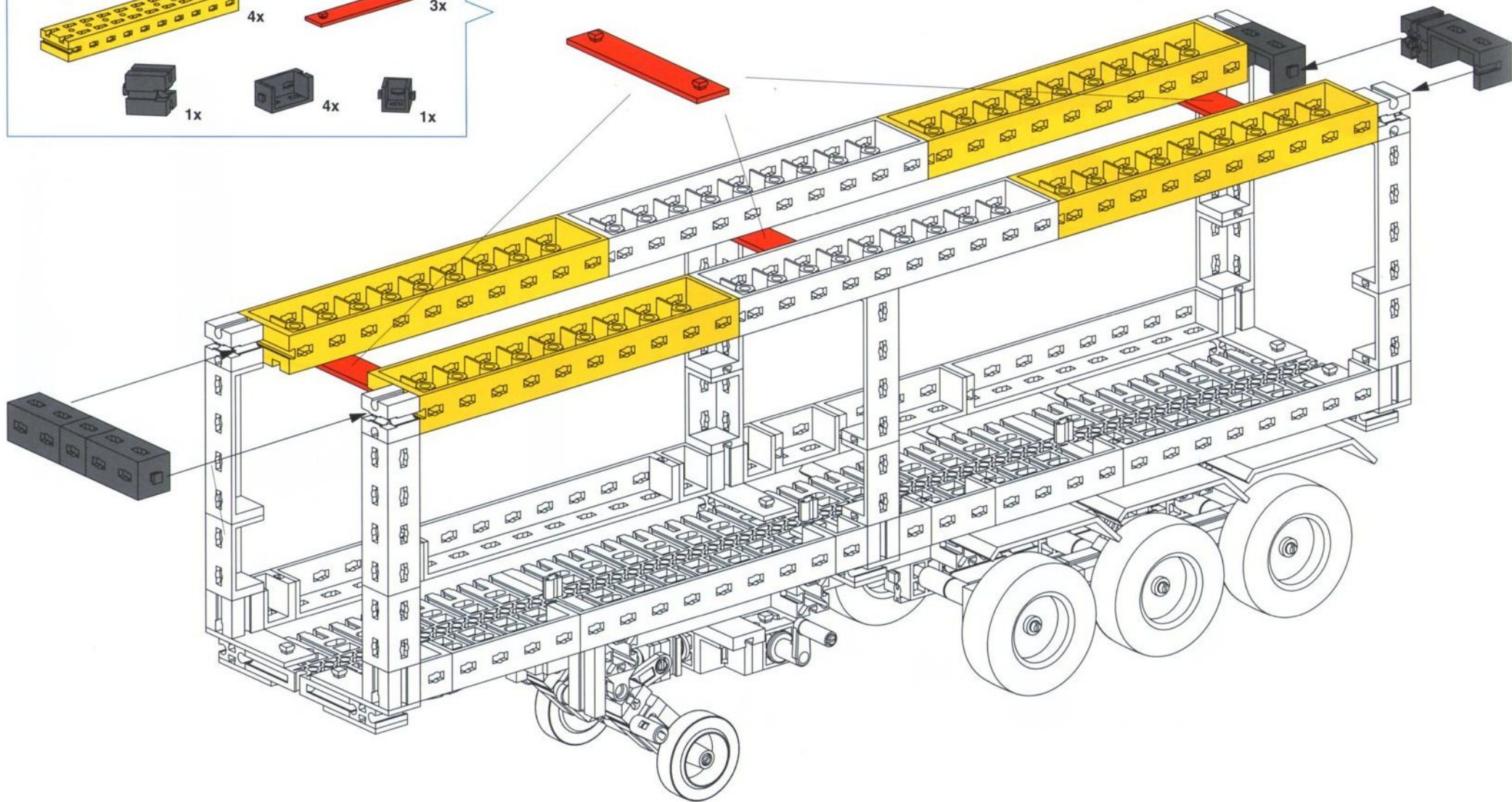
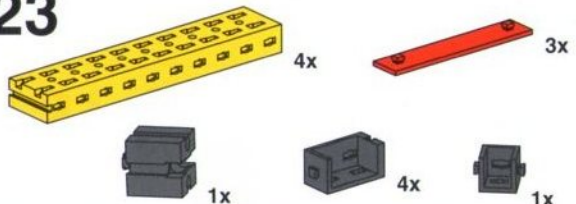
22



2x 4x
6x 6x

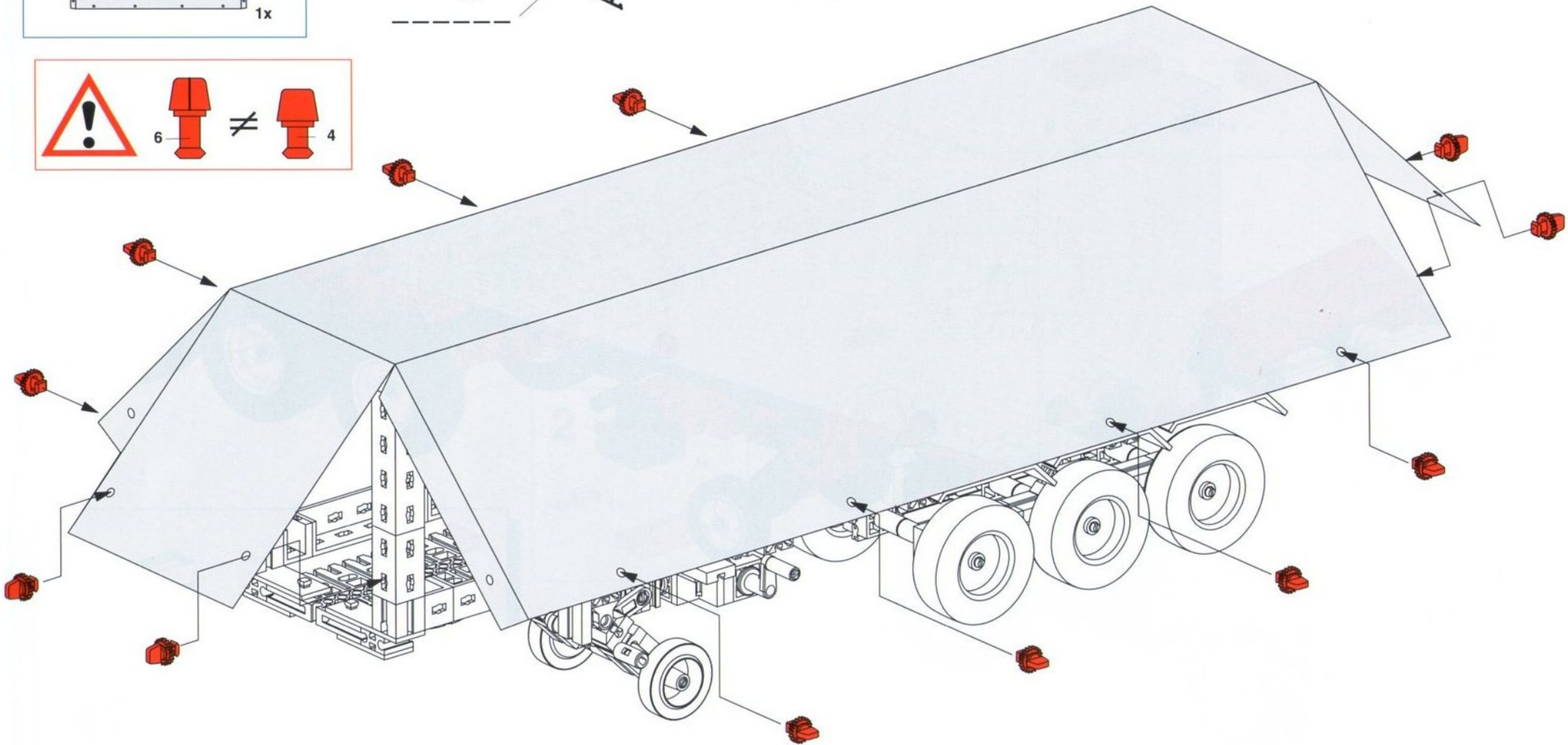
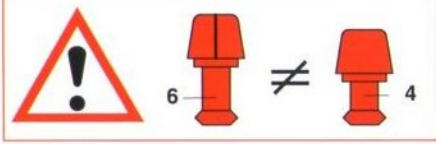
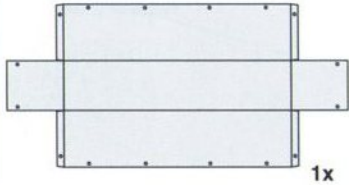


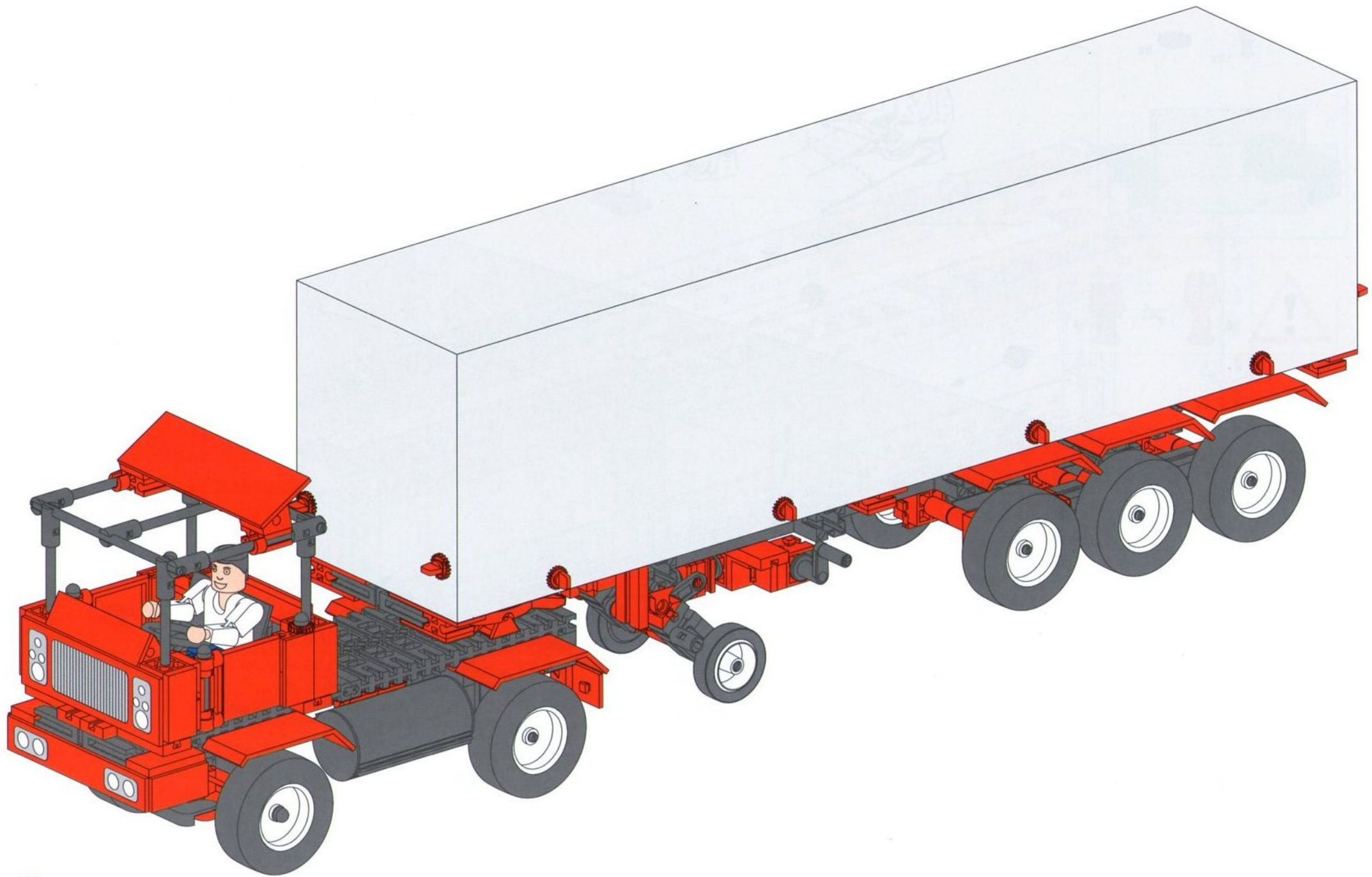
23



24

6
12x
8x

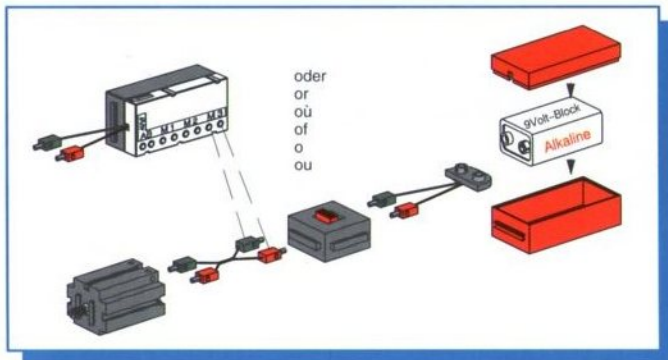
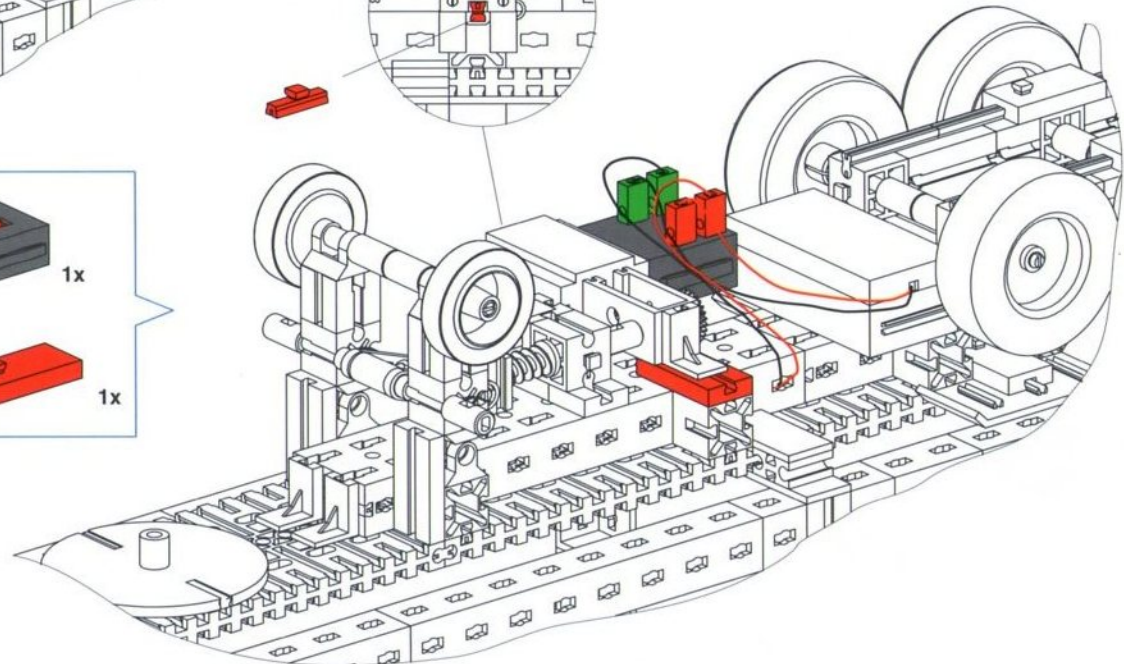
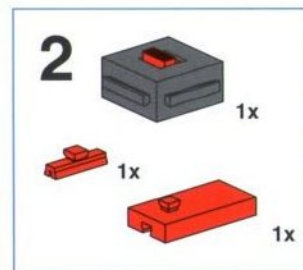
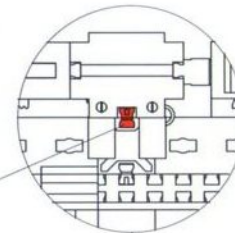
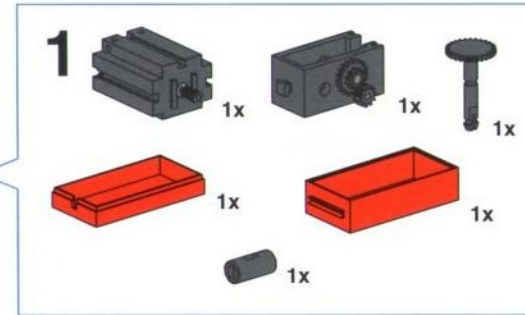
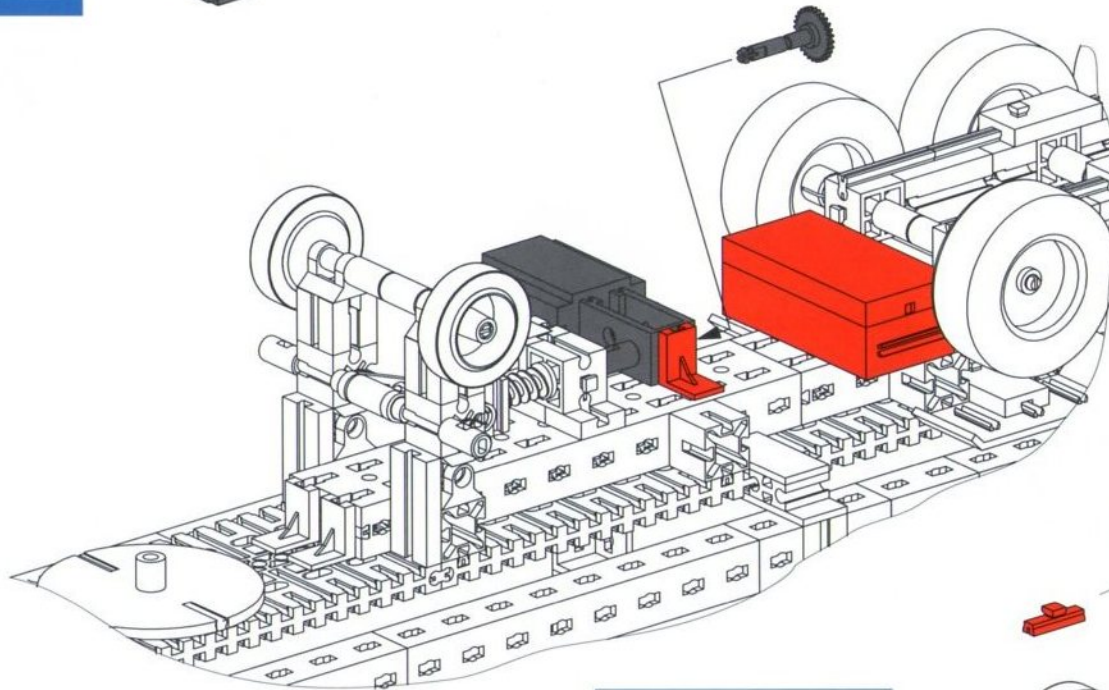




Motorisierung
 Motorization
 Motorisation

Motorising
 Motorización
 Motorização

Mini Motor
 Set
 30342





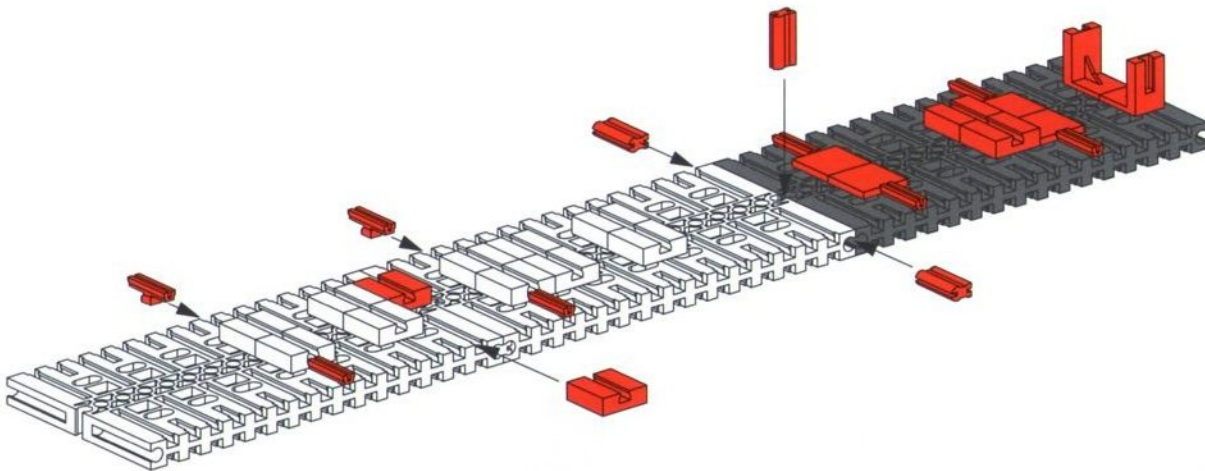
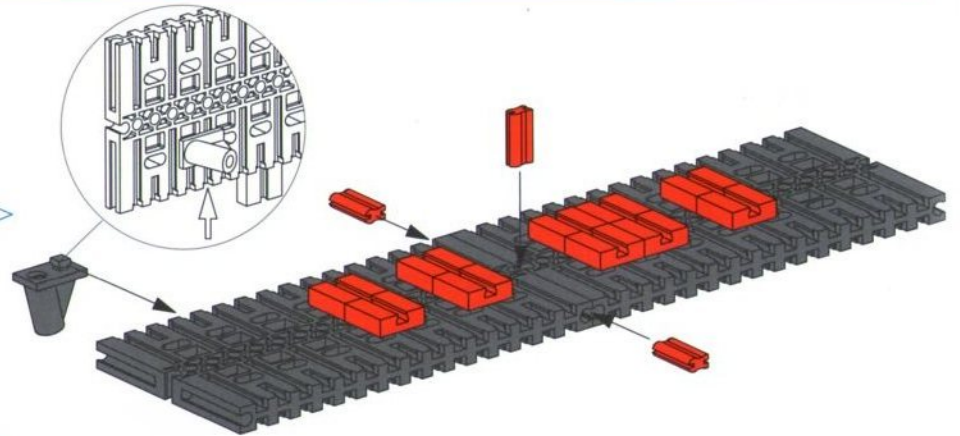
LKW mit Bergekran
Truck with salvage crane
Camion avec grue dépanneuse lourde

Vrachtwagen met kraan
Grúa de salvamento
Camião com guindaste de remoção



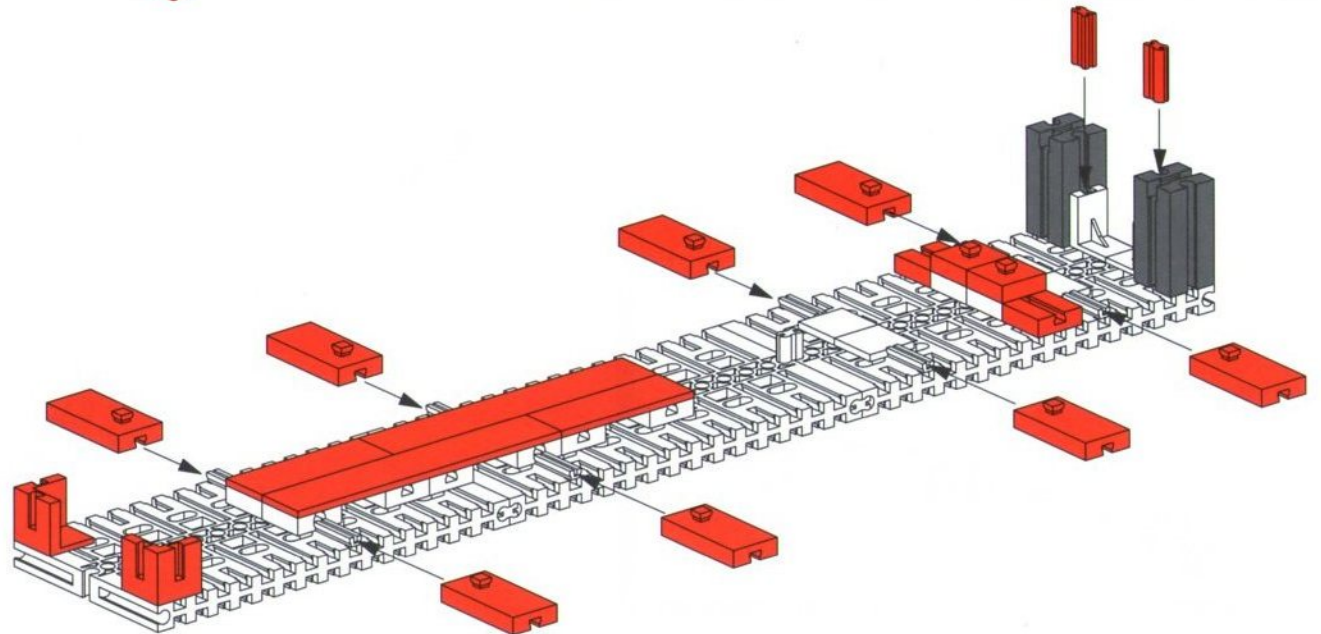
1

- 2x (black 1x15 Technic beam)
- 3x (red 1x2 Technic brick)
- 10x (red 1x2 Technic brick with hole)
- 1x (grey Technic support)



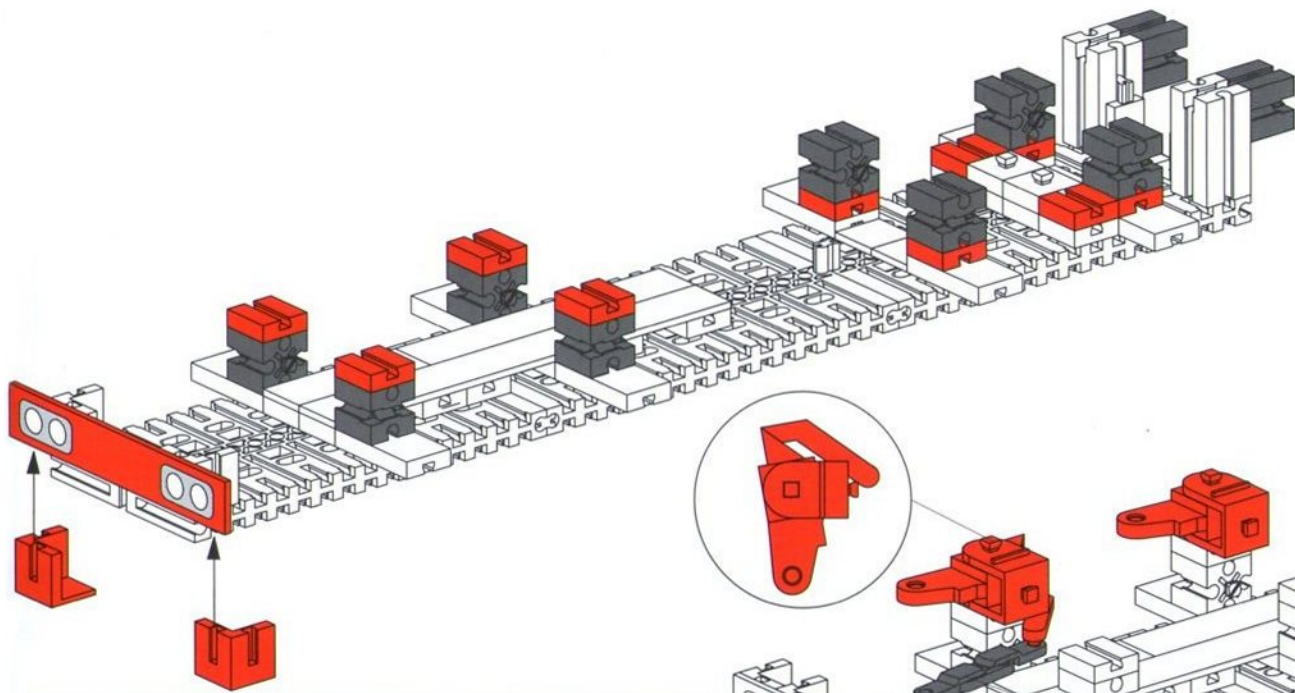
2

- 1x (black 1x15 Technic beam)
- 3x (red 1x2 Technic brick)
- 4x (red 1x2 Technic brick with hole)
- 2x (red 1x2 Technic brick with hole and notch)
- 4x (red 1x2 Technic brick)
- 8x (red 1x2 Technic brick with hole)



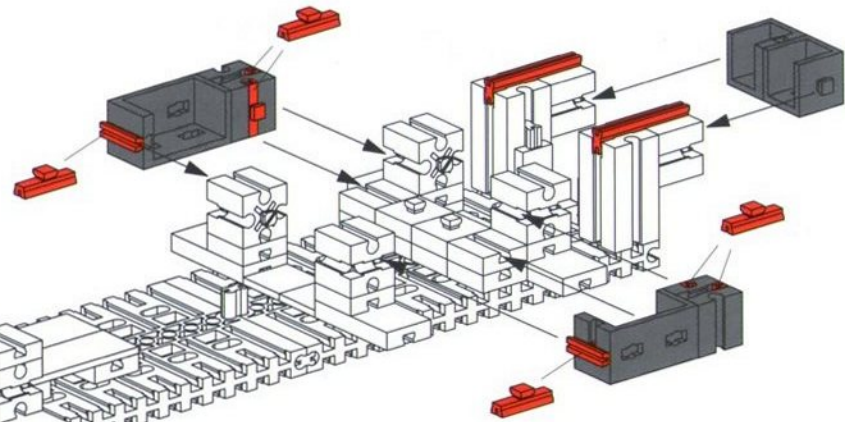
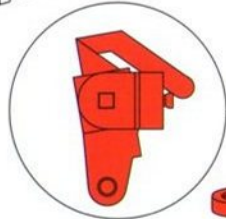
3

- 2x (black 1x2 Technic brick)
- 8x (red 1x2 Technic brick)
- 2x (red 1x2 Technic brick)
- 2x (red 1x2 Technic brick with hole)
- 2x (red 1x2 Technic brick with hole)
- 2x (red 1x2 Technic brick with hole and notch)
- 2x (red 1x4 Technic brick)
- 2x (red 1x4 Technic brick with hole)



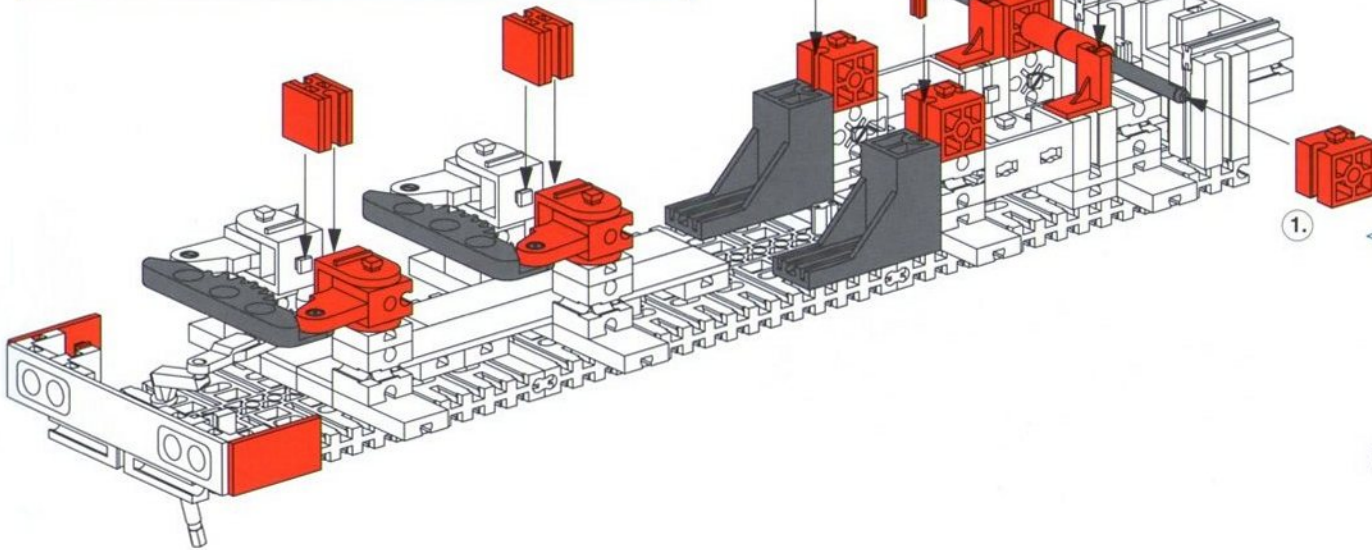
4

- Red 1x3 Technic beam: 1x
- Red 1x1 Technic Technic: 10x
- Red 1x1 Technic Technic with hole: 2x
- Grey 1x1 Technic Technic: 10x



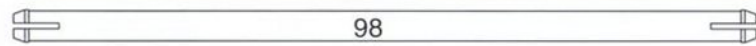
5

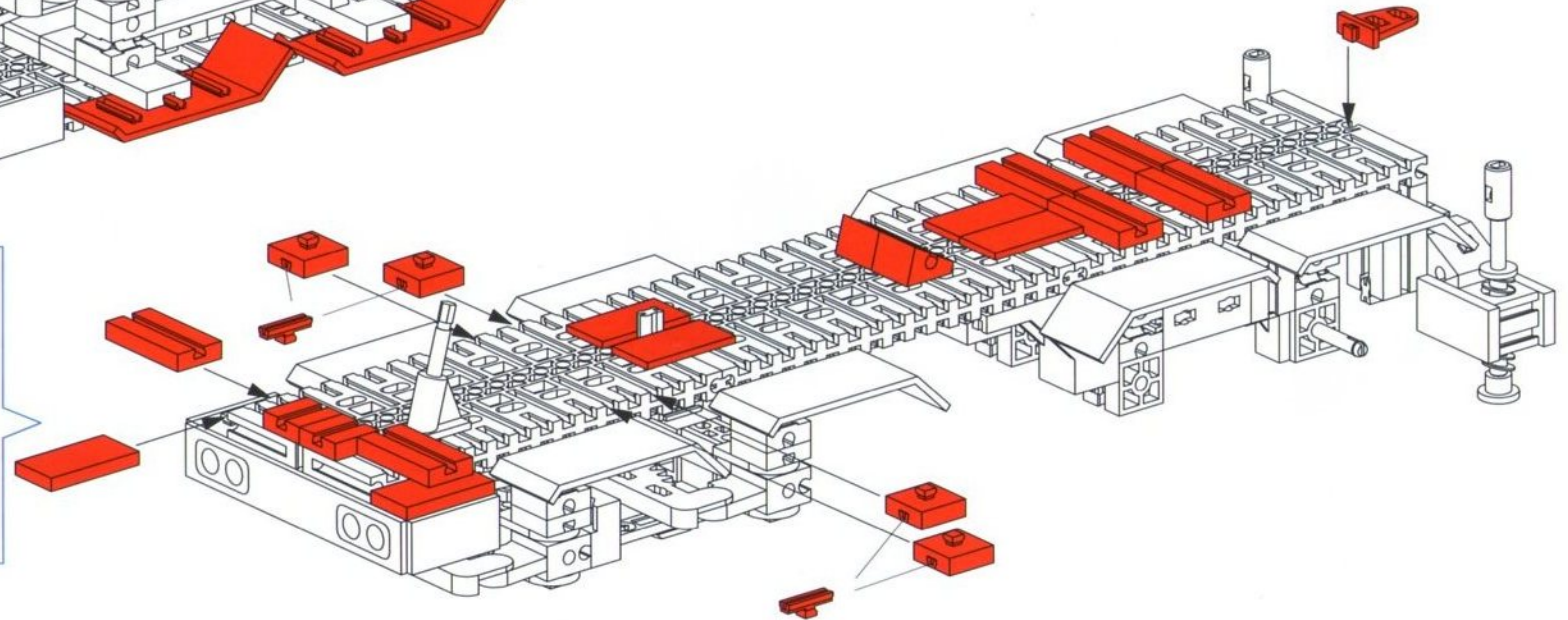
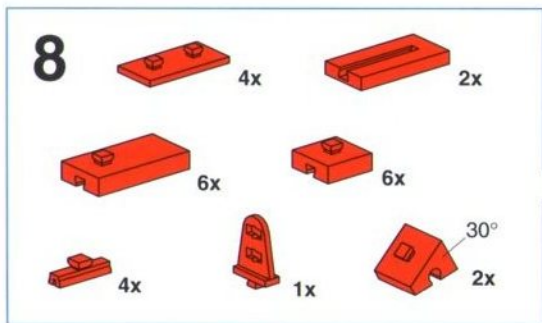
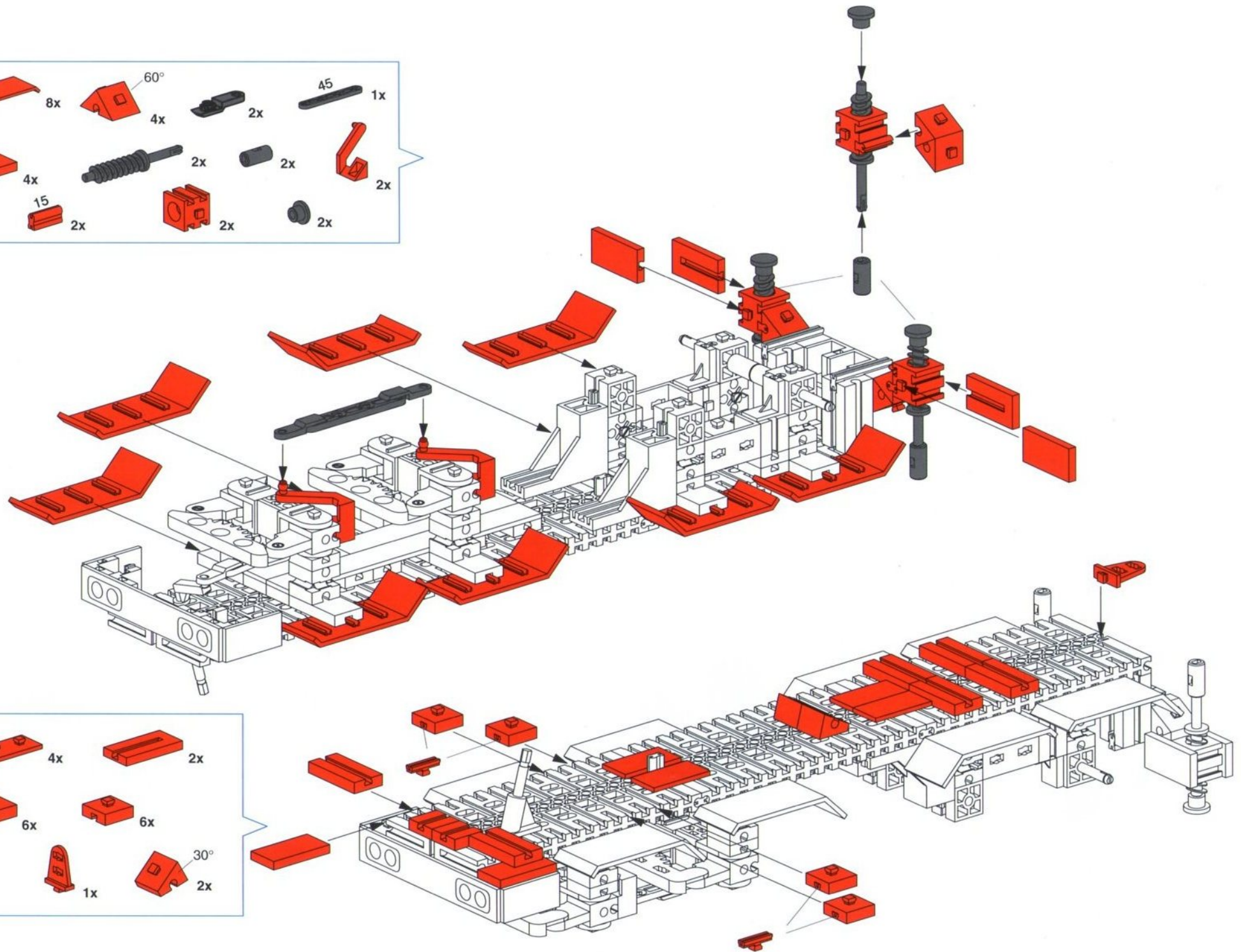
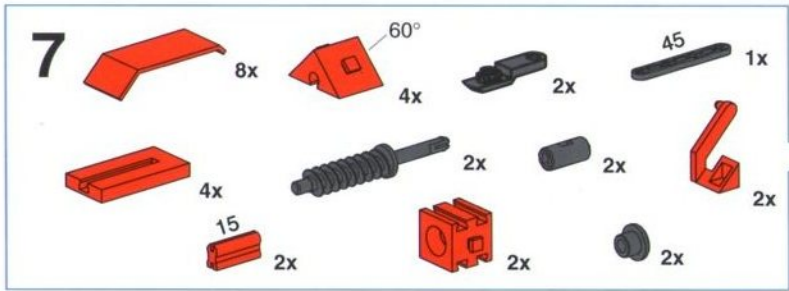
- Red 1x1 Technic Technic: 6x
- Red 1x30 Technic Technic: 2x
- Grey 1x1 Technic Technic: 2x
- Red 1x1 Technic Technic with hole: 1x
- Grey 1x1 Technic Technic: 1x
- Grey 1x1 Technic Technic with hole: 1x
- Grey 1x1 Technic Technic with hole: 2x
- Grey 1x2 Technic Technic with hole: 1x
- Red 1x15 Technic Technic: 1x
- Grey 1x1 Technic Technic with hole: 2x
- Red 1x2 Technic Technic with hole: 2x

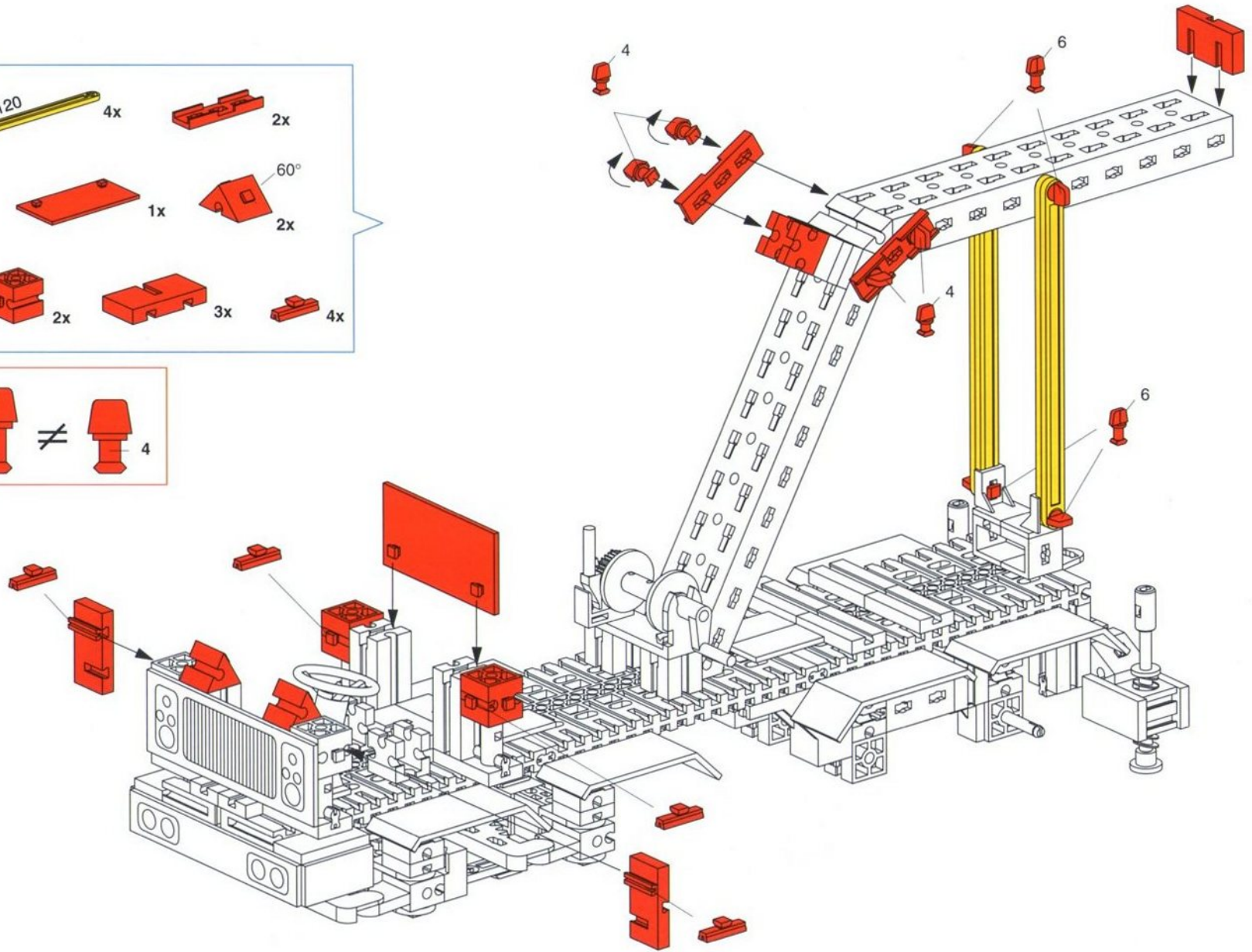
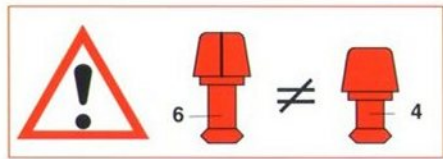
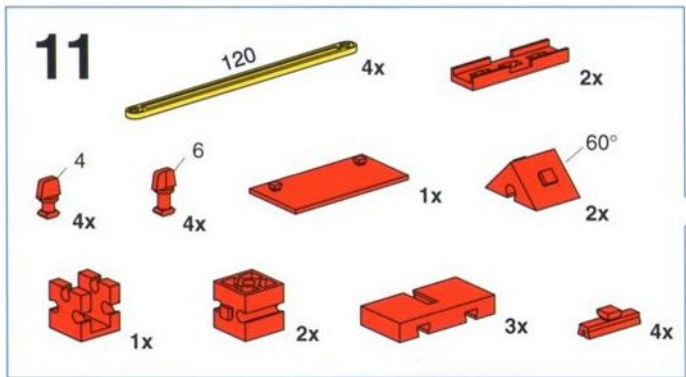


6

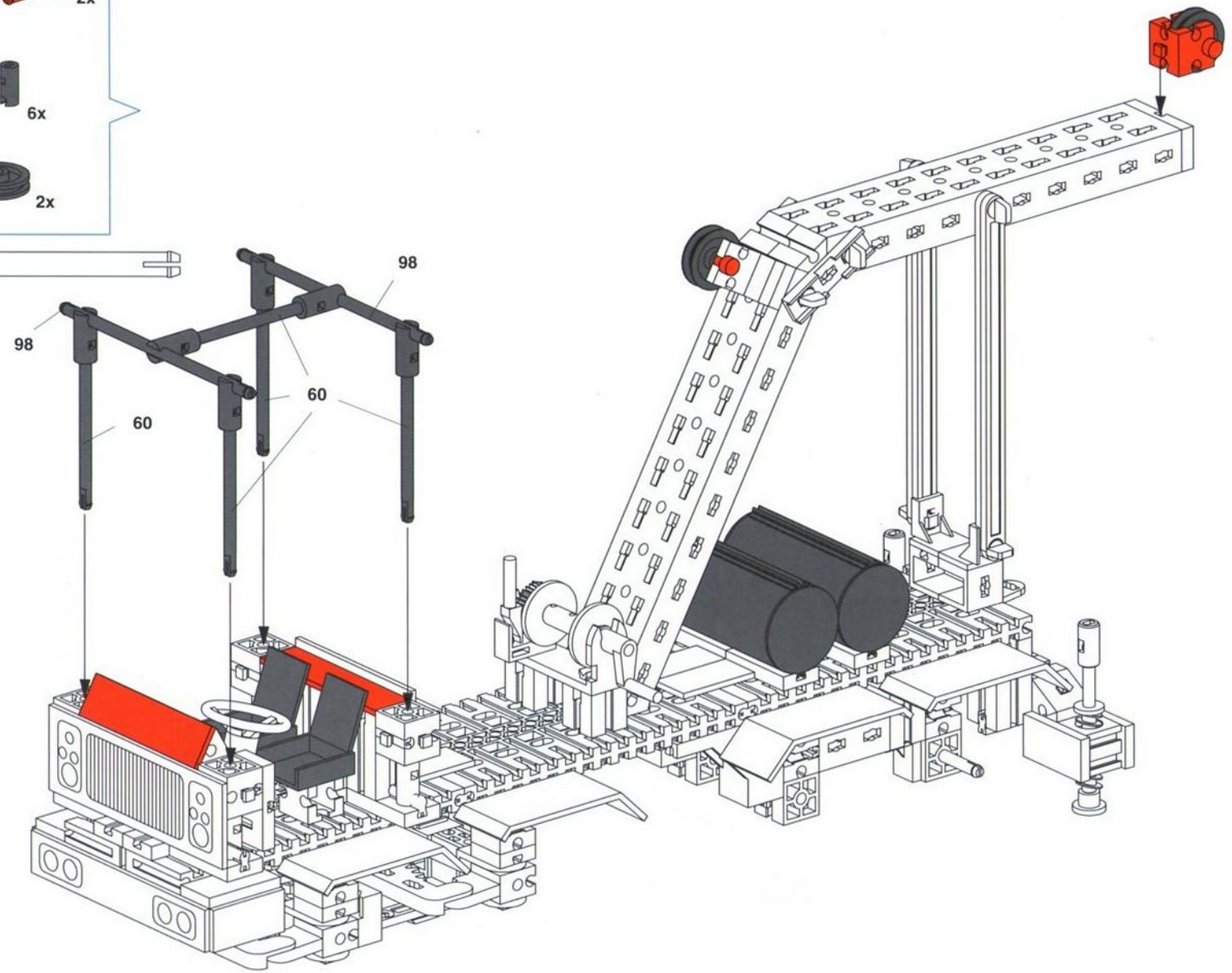
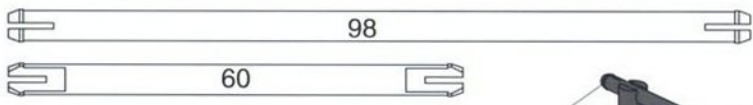
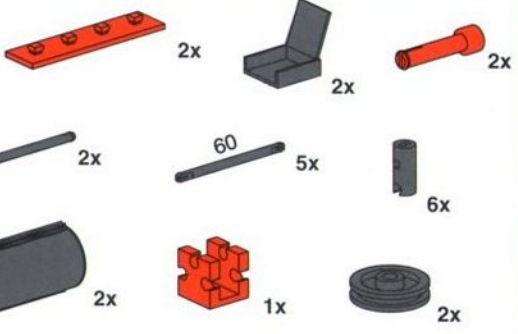
- Red 1x2 Technic Technic with hole: 2x
- Grey 1x98 Technic Technic: 1x
- Grey 1x1 Technic Technic with hole: 2x
- Red 1x2 Technic Technic with hole: 2x
- Red 1x1 Technic Technic with hole: 4x
- Red 1x1 Technic Technic: 2x
- Red 1x1 Technic Technic with hole: 4x
- Red 1x1 Technic Technic with hole: 2x
- Red 1x1 Technic Technic with hole: 2x



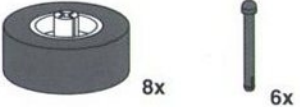




12



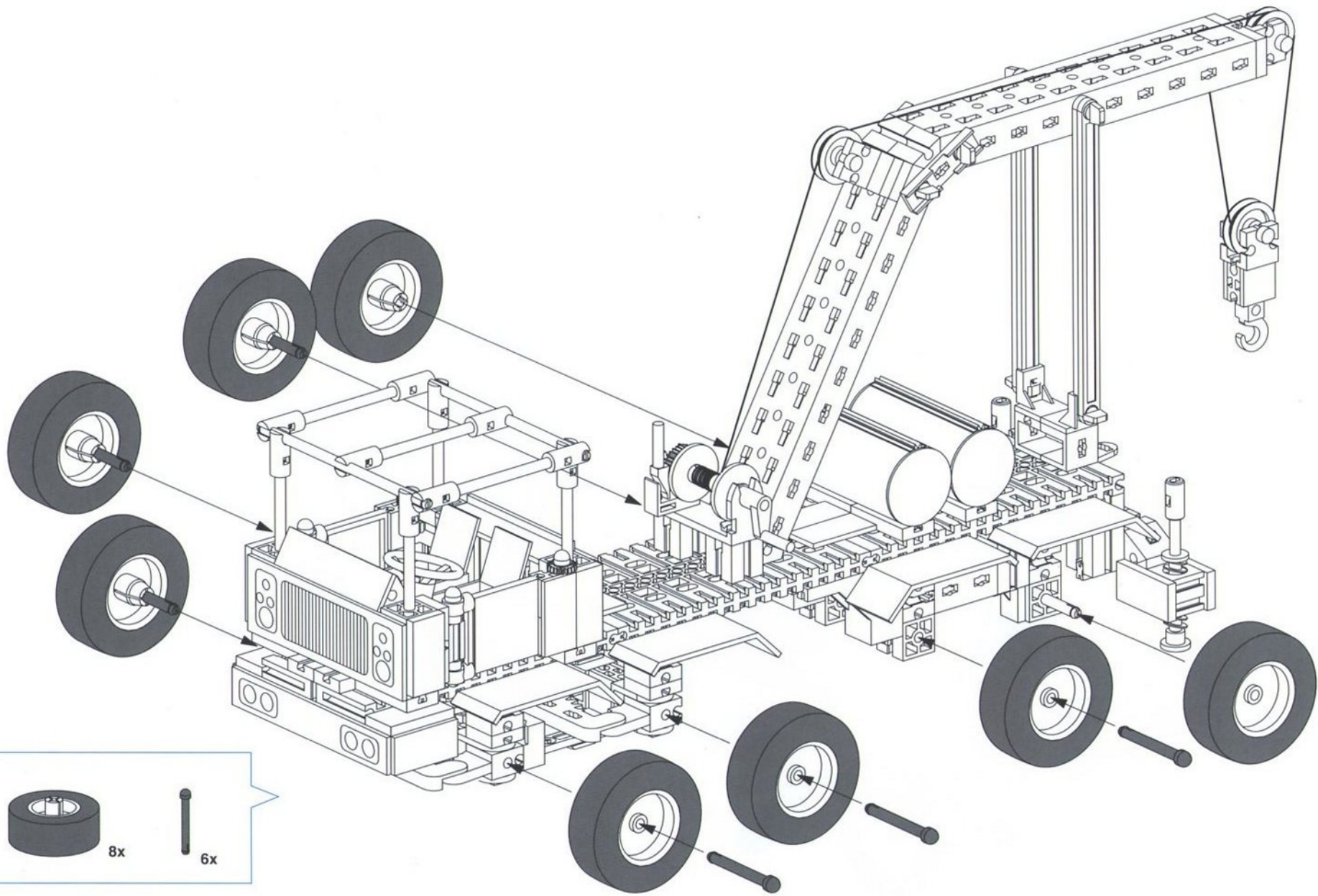
14

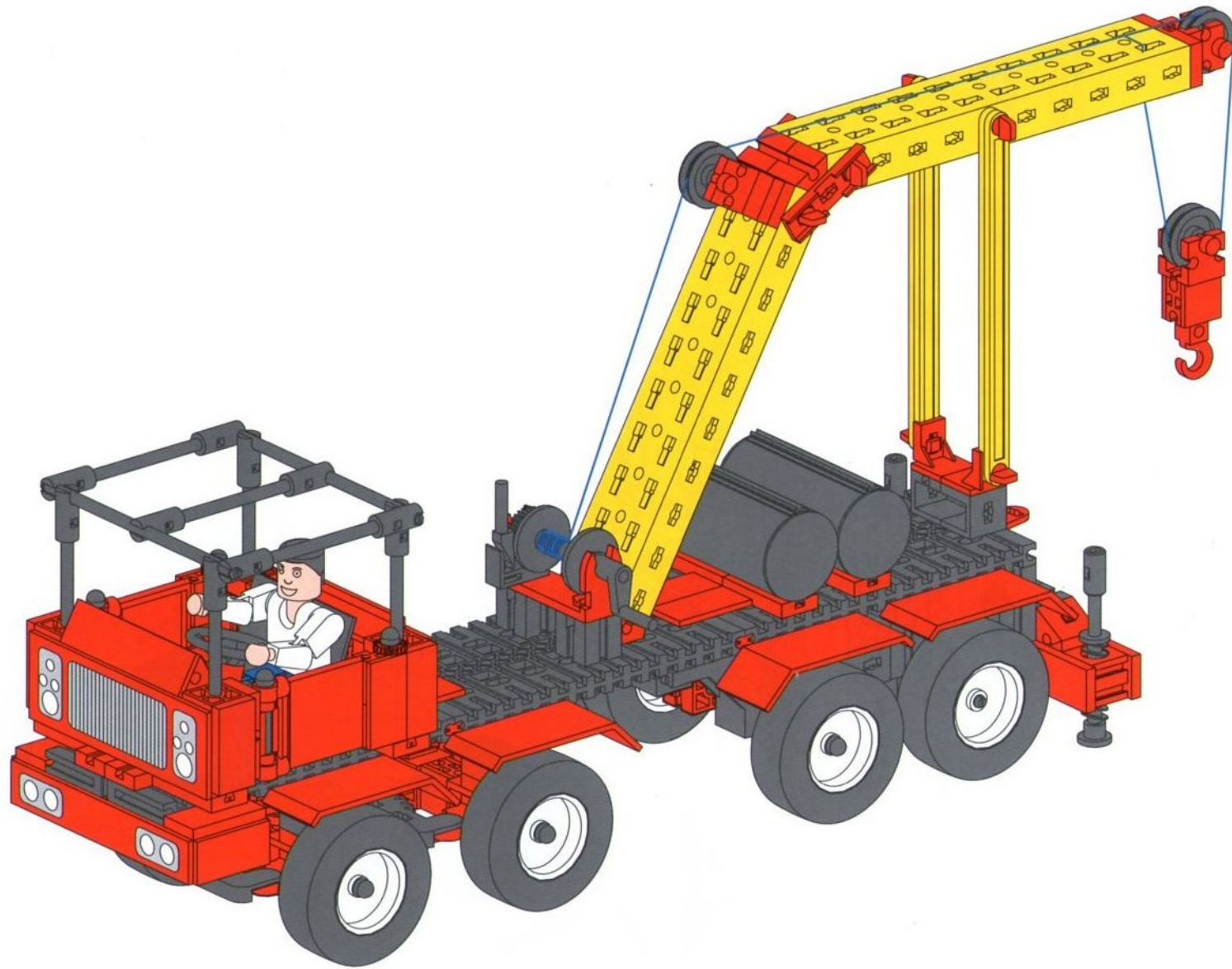


8x

6x

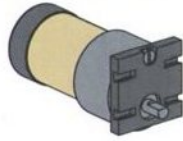
This callout box contains the parts list for step 14. It features a large number '14' in the top left corner. To the right of the number are two items: a wheel with a central axle hole and a long axle pin. Below the wheel is the text '8x', and below the axle pin is the text '6x'.





Motorisierung und Fernsteuerung
Motorization and remote control
Motorisation et télécommande

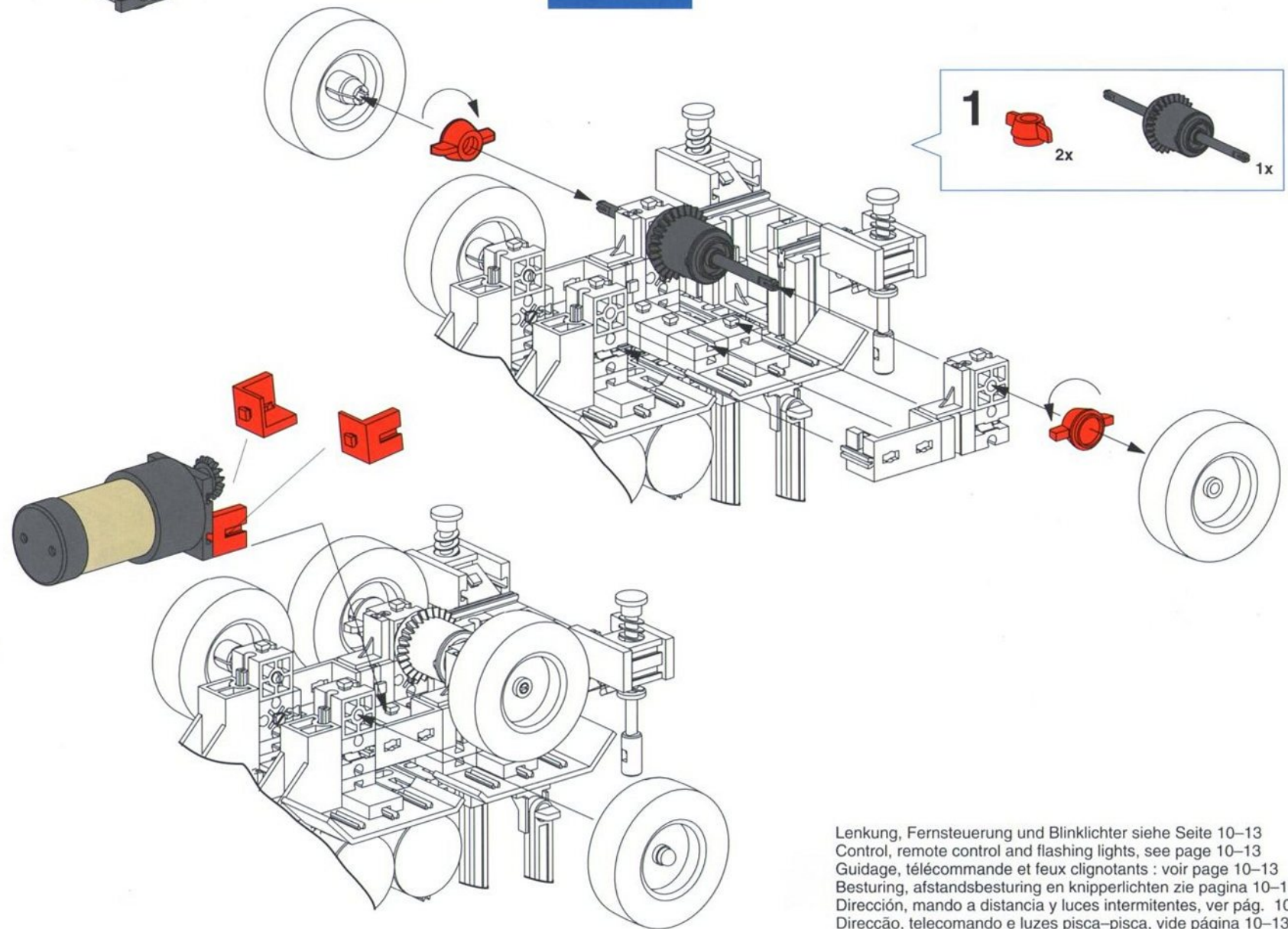
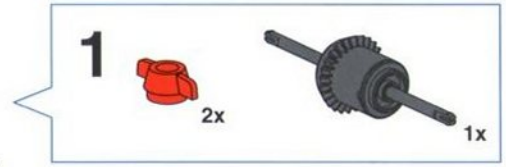
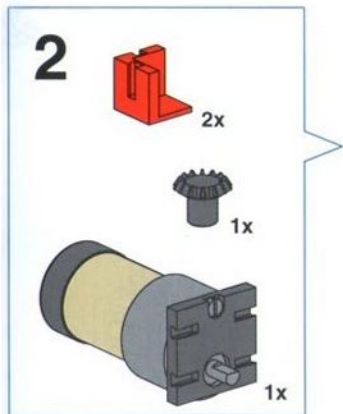
Radantrieb
 Wheel drive
 Entraînement de roue



Motorisering en afstandsbesturing
Motorización y mando a distancia
Motorização e telecomando

Wiel aandrijving
 Accionamiento por ruedas
 Tracção às rodas

Power Motor
 Set
 34965



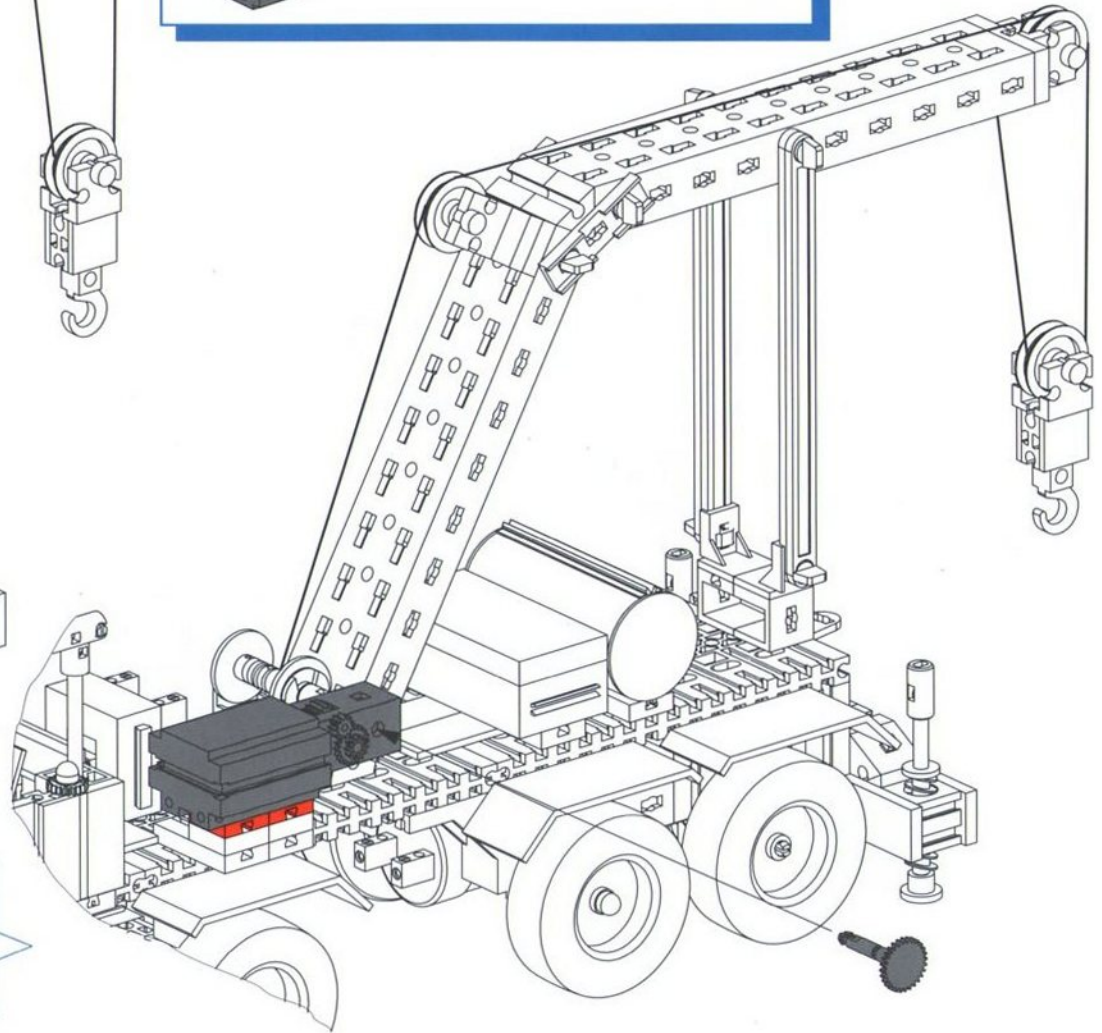
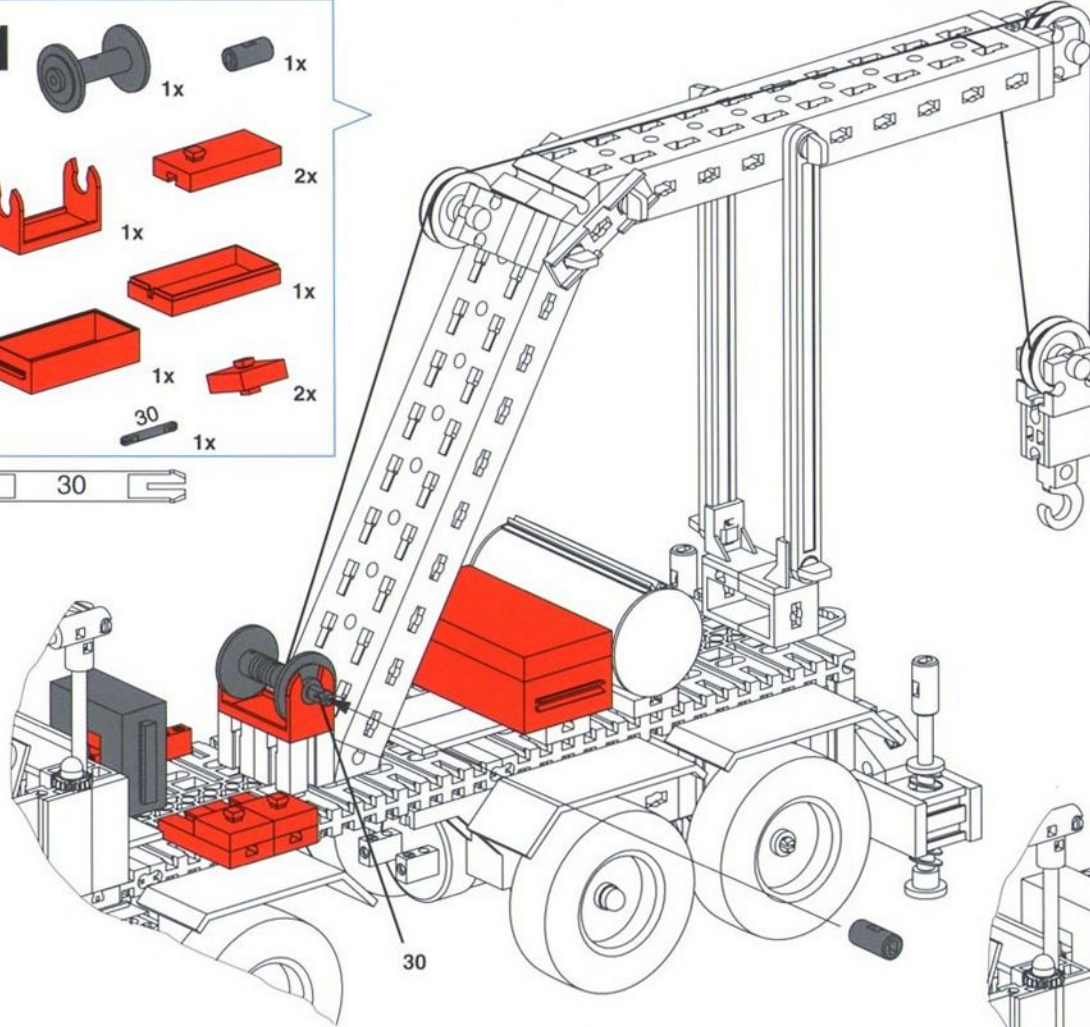
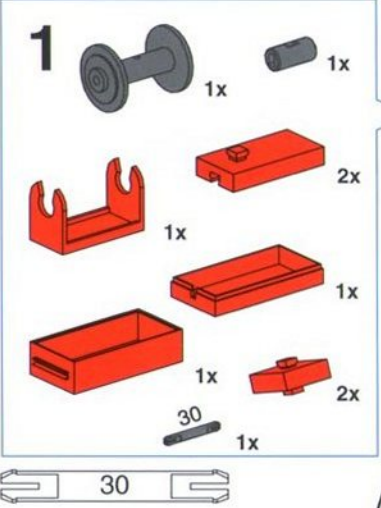
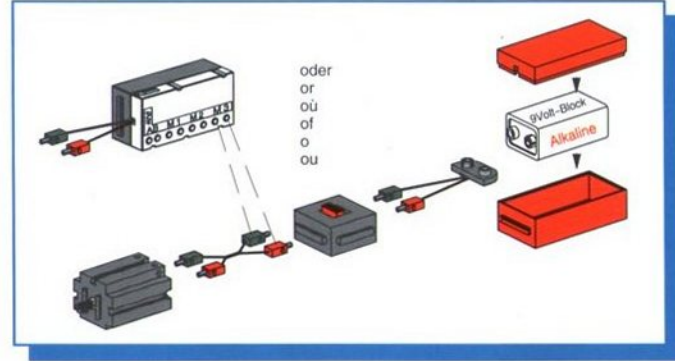
Lenkung, Fernsteuerung und Blinklichter siehe Seite 10–13
 Control, remote control and flashing lights, see page 10–13
 Guidage, télécommande et feux clignotants : voir page 10–13
 Besturing, afstandsbesturing en knipperlichten zie pagina 10–13
 Dirección, mando a distancia y luces intermitentes, ver pág. 10–13
 Direcção, telecomando e luzes pisca-pisca, vide página 10–13

Kranhaken
Crane hook
Crochet



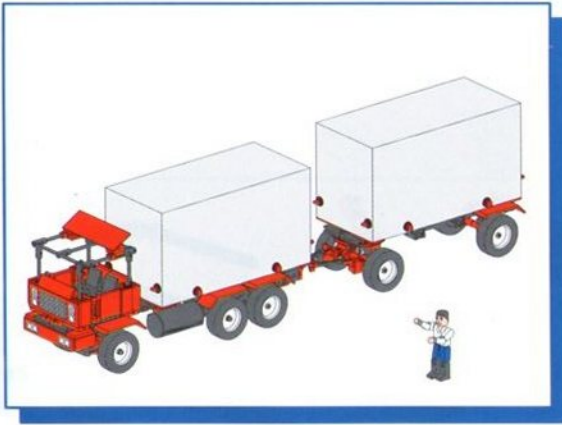
Kraanhaak
Gancho de grúa
Gancho da grua

Mini Motor
Set
30342



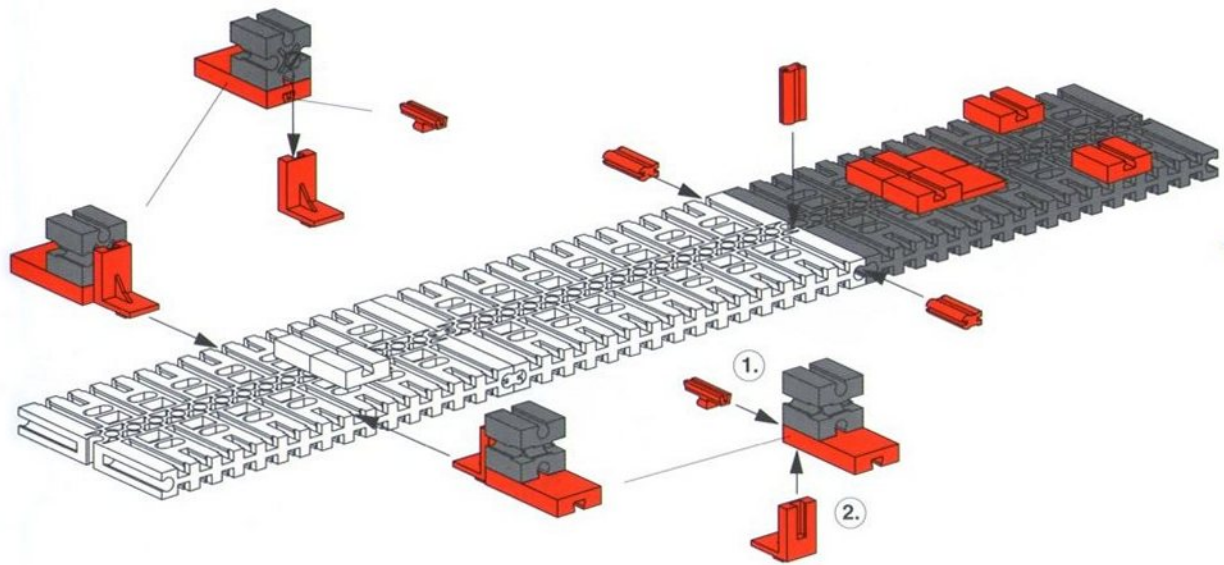
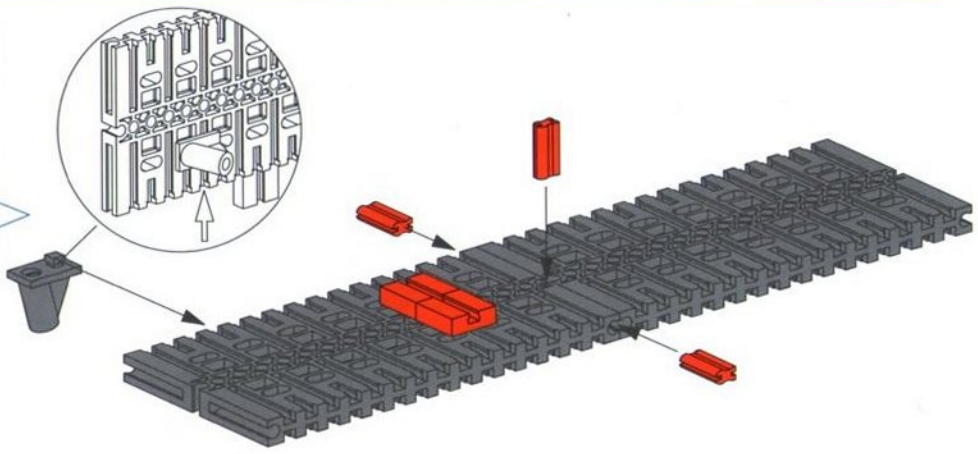
Hängerzug
Truck with trailer
Train routier

Aanhangwagencombinatie
Remorque
Reboque



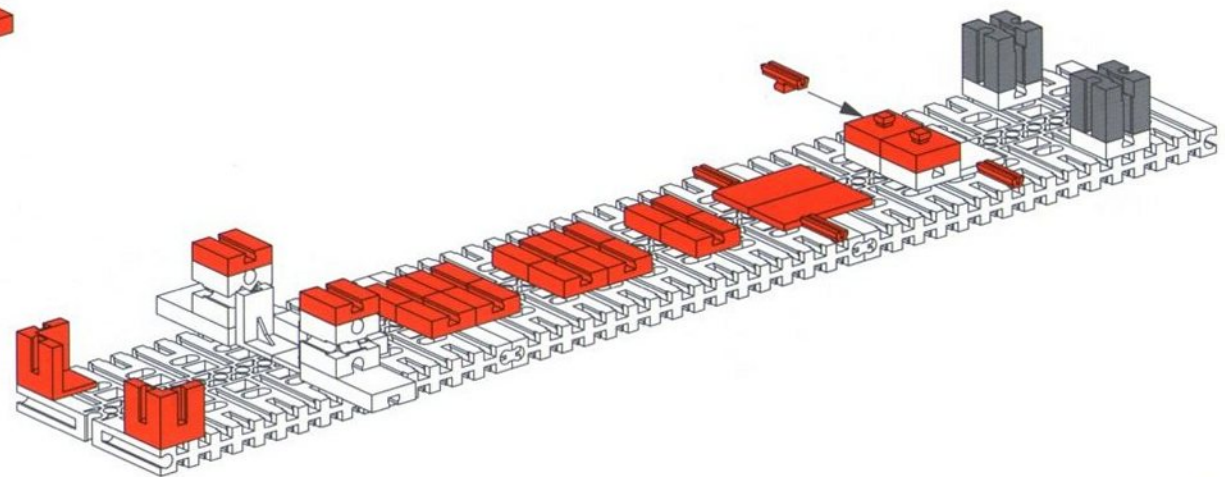
1

- 2x (grey Technic beam)
- 3x (red Technic 15)
- 2x (red Technic 1)
- 1x (grey Technic cone)



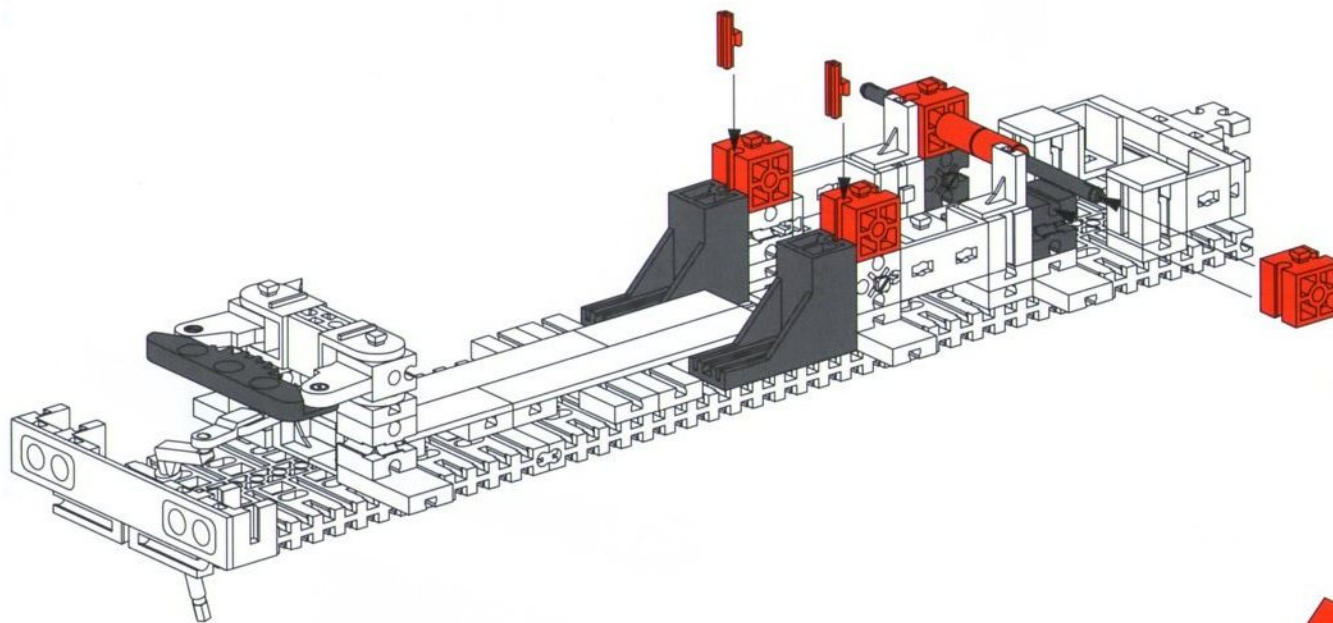
2

- 1x (grey Technic beam)
- 3x (red Technic 15)
- 4x (red Technic 1)
- 2x (red Technic 2)
- 2x (red Technic 1)
- 2x (red Technic 2)
- 2x (grey Technic axle)
- 2x (red Technic 1)



3

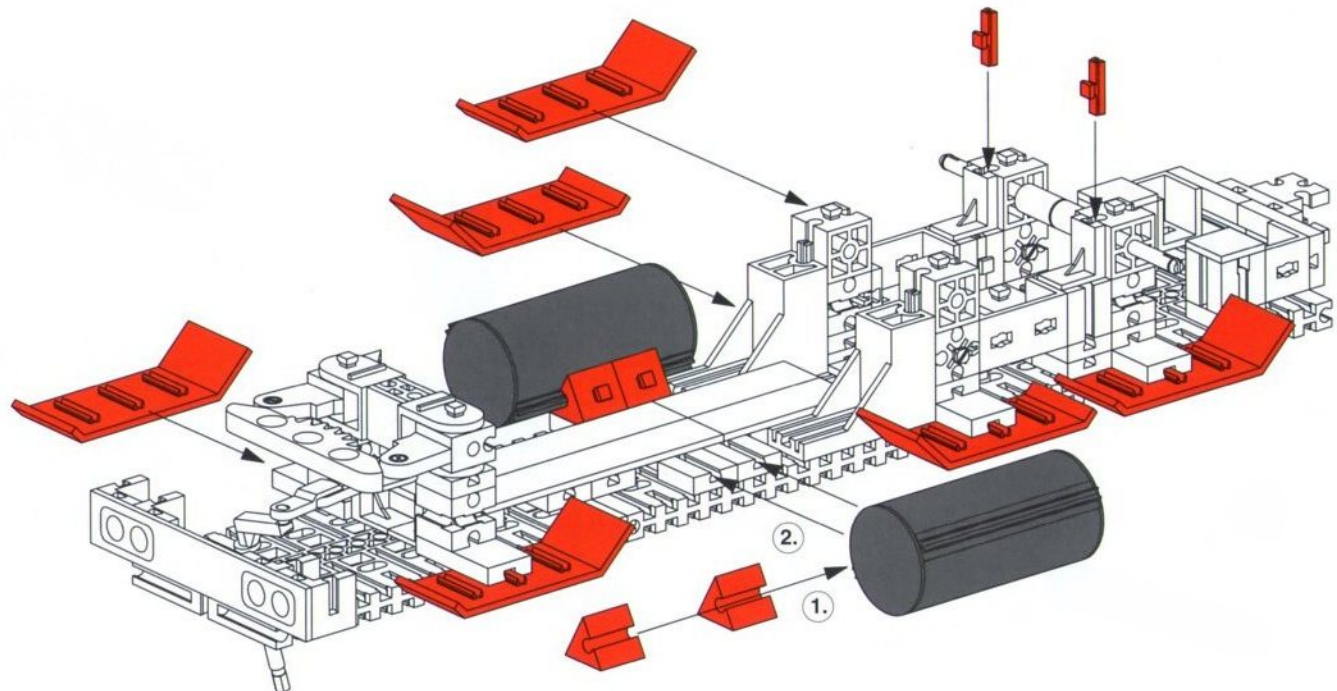
- 2x (grey Technic axle)
- 2x (red Technic 2)
- 2x (red Technic 1)
- 12x (red Technic 1)
- 2x (red Technic 1)
- 4x (red Technic 1)

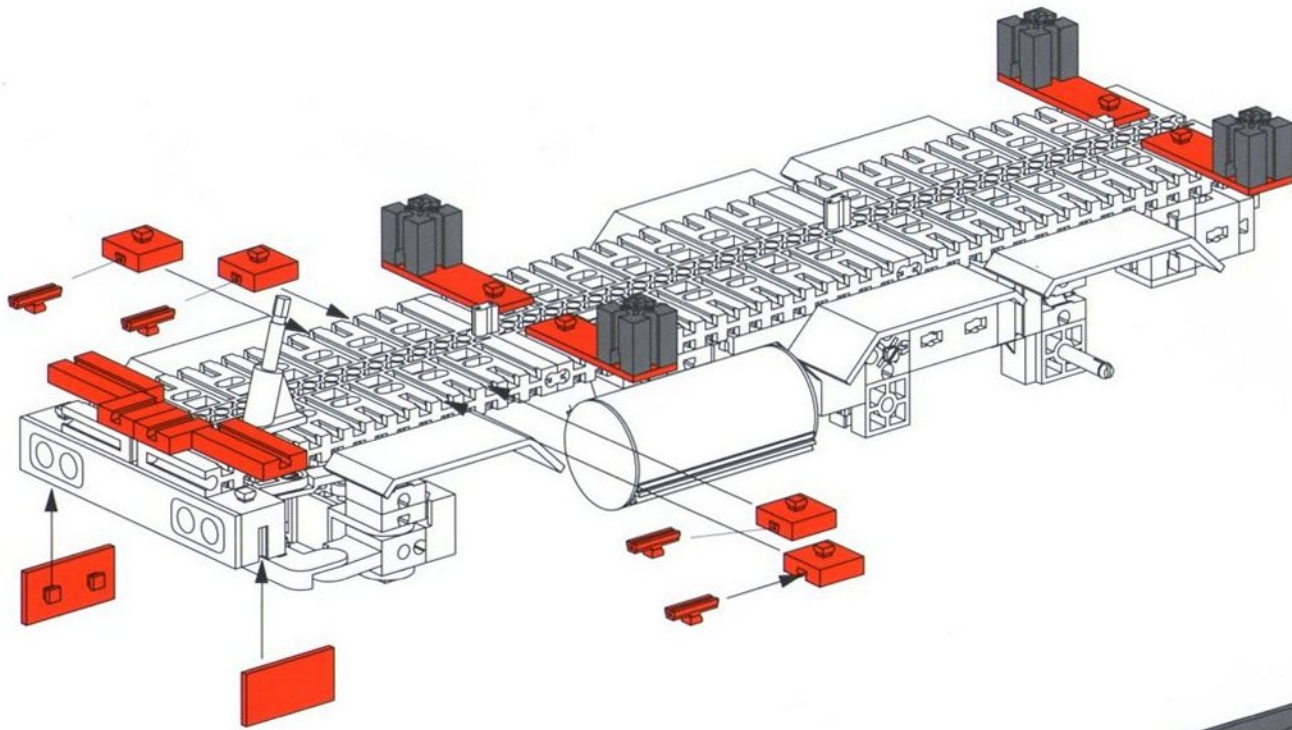


- 6**
- 1x (grey L-shaped Technic beam)
 - 2x (grey Technic slope)
 - 4x (red 1x2 Technic brick)
 - 2x (grey Technic slope)
 - 2x (red 1x2 Technic brick)
 - 2x (red 1x2 Technic brick)
 - 2x (red 1x2 Technic brick)
 - 98 (grey Technic axle)
 - 2x (grey Technic slope)
 - 2x (red Technic pin)
 - 2x (red Technic pin)



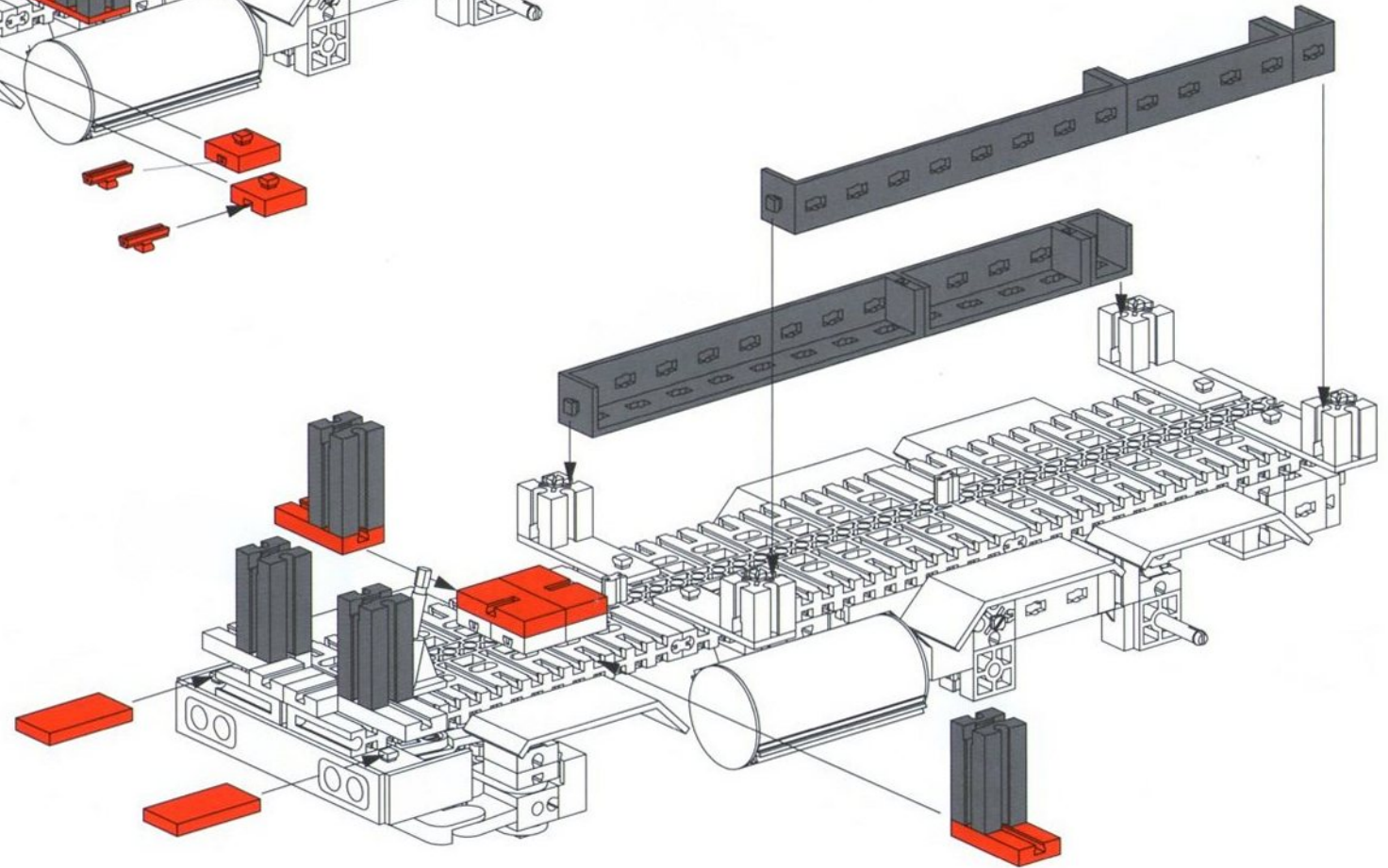
- 7**
- 6x (red Technic slope)
 - 2x (red 1x2 Technic brick)
 - 4x (red Technic slope with 60° angle)
 - 2x (grey Technic axle)

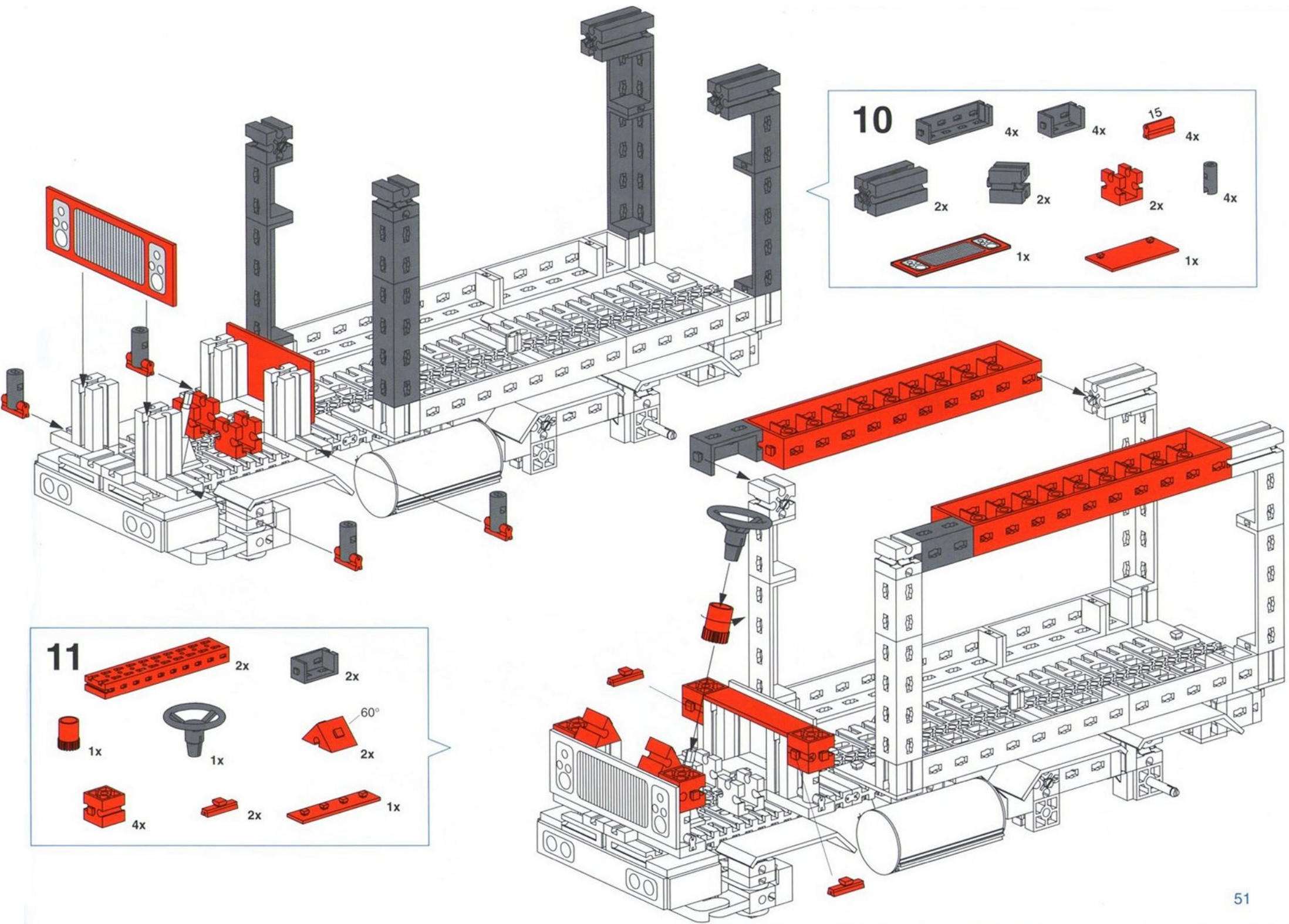




- 8**
- 4x [Grey Technic Axle]
 - 4x [Red Technic Axle]
 - 2x [Red Technic Axle]
 - 4x [Red Technic Axle]
 - 2x [Red Technic Axle]
 - 6x [Red Technic Axle]

- 9**
- 4x [Grey Technic Axle]
 - 2x [Red Technic Axle]
 - 2x [Red Technic Axle]
 - 2x [Red Technic Axle]
 - 2x [Red Technic Axle]
 - 2x [Red Technic Axle]
 - 2x [Red Technic Axle]
 - 2x [Red Technic Axle]



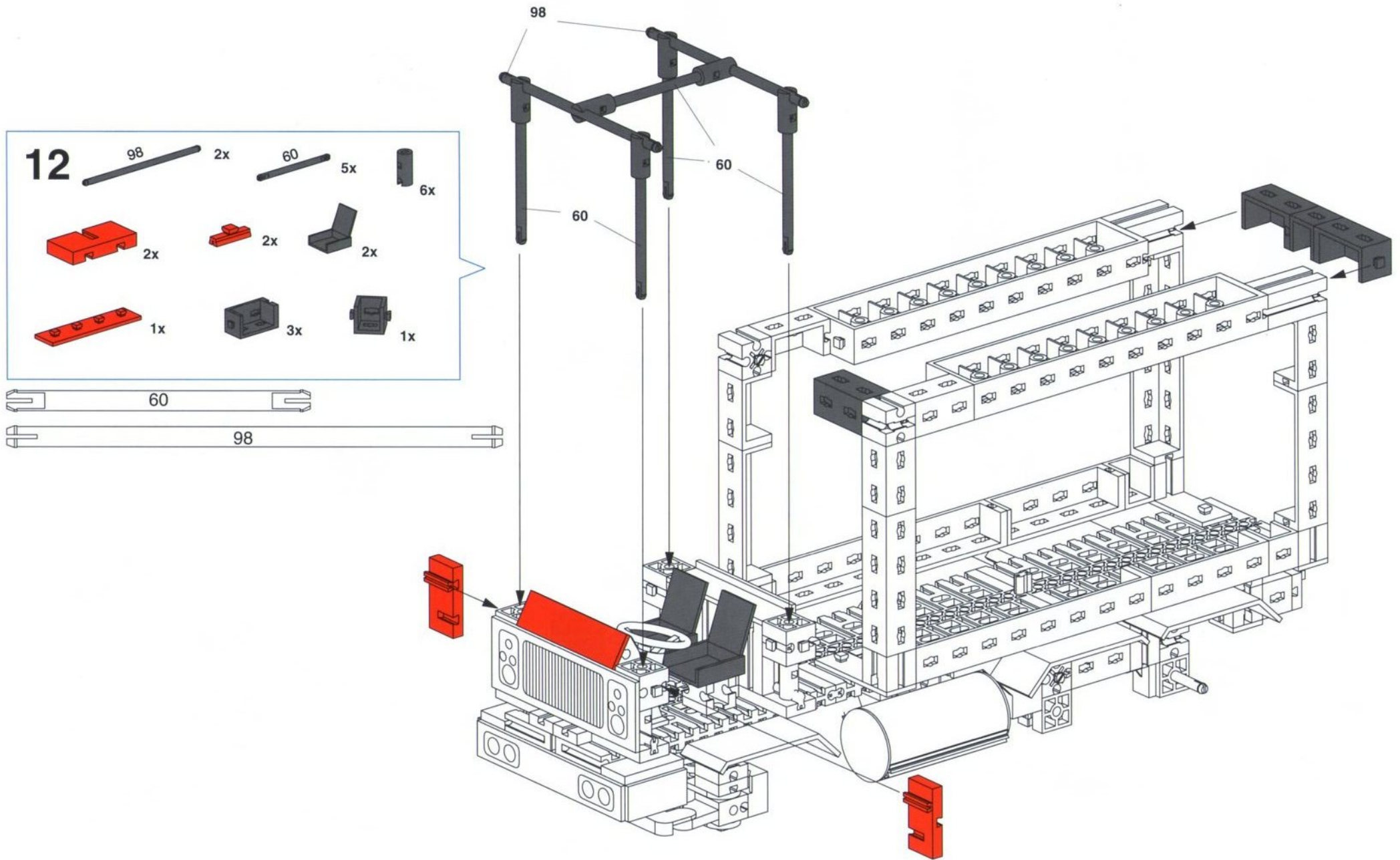


10

- 4x
- 4x
- 4x
- 2x
- 2x
- 2x
- 4x
- 1x
- 1x

11

- 2x
- 2x
- 1x
- 1x
- 2x
- 4x
- 2x
- 1x



14

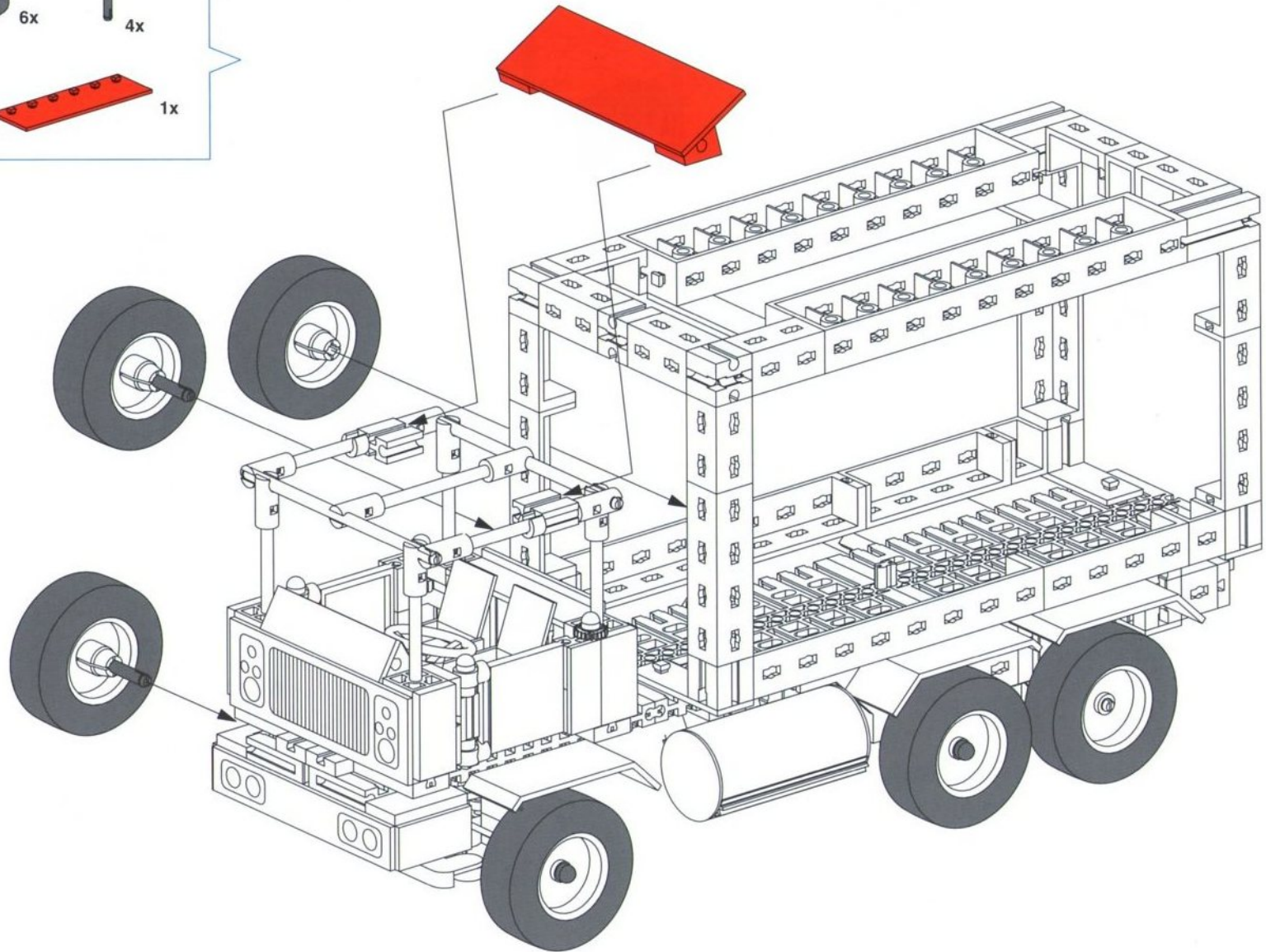
6x

4x

30°

2x

1x



15

6
8x

8x

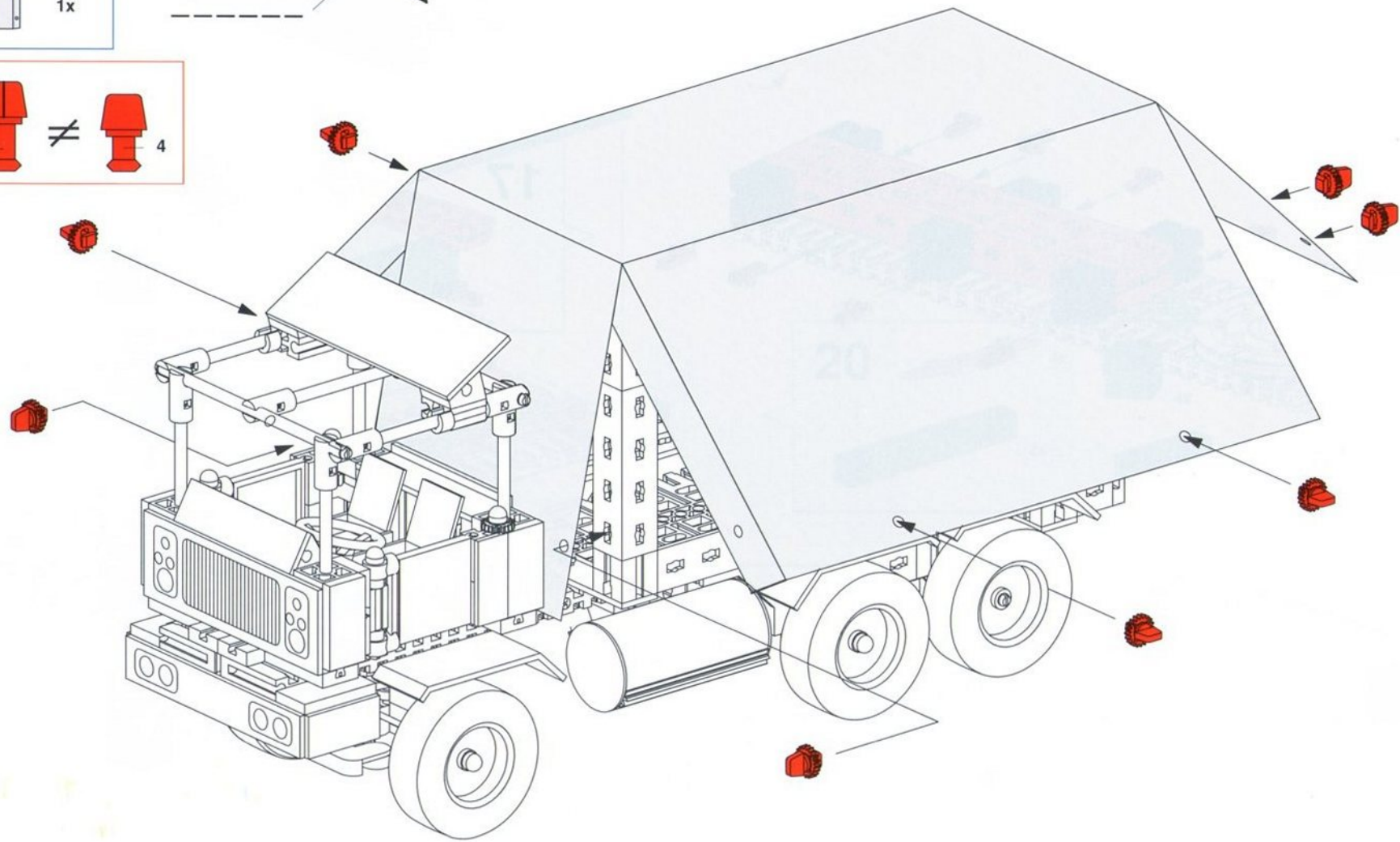
1x



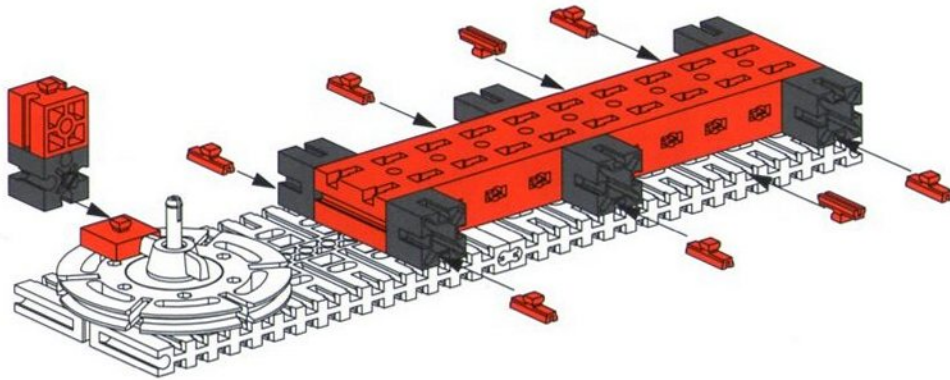
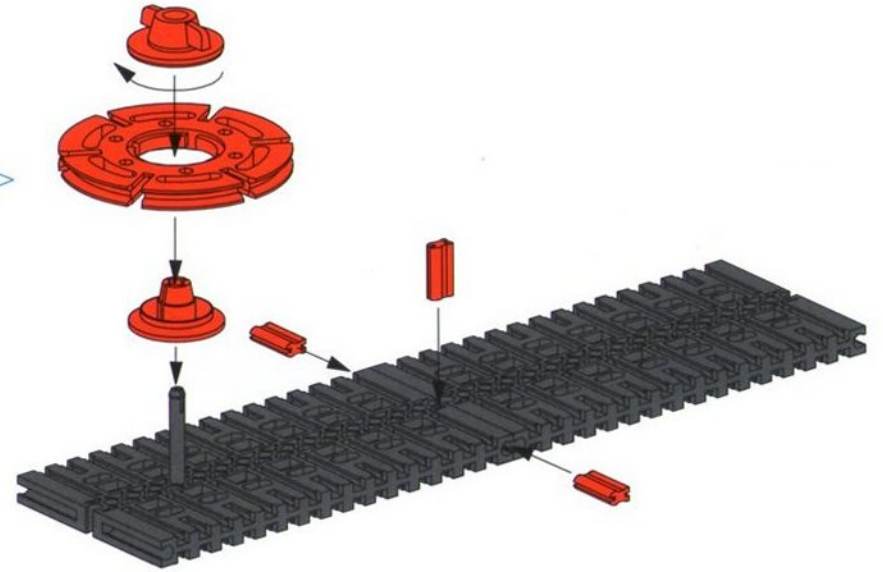
6

≠

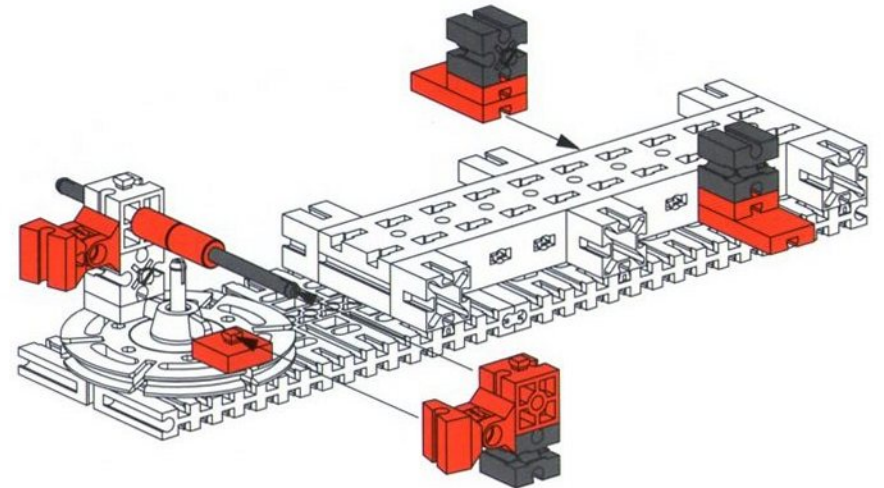
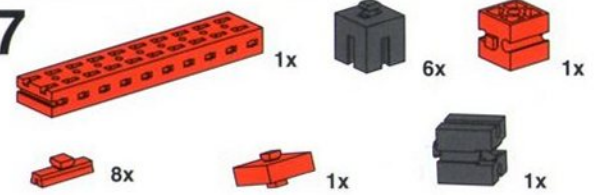
4



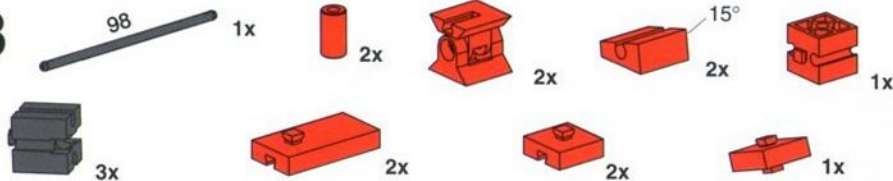
16



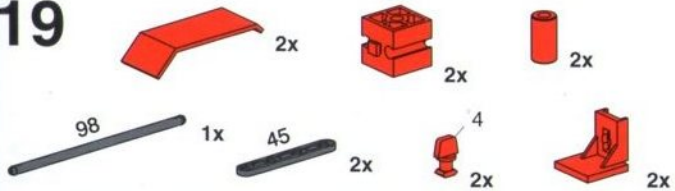
17



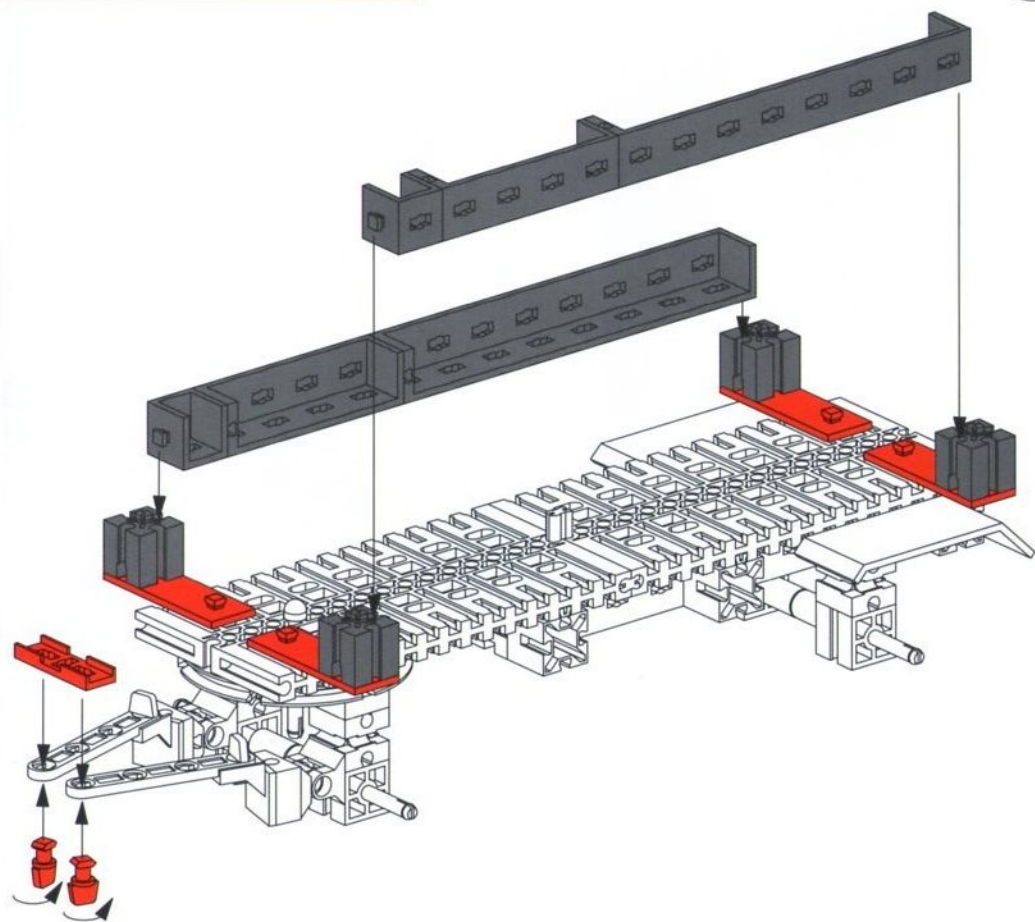
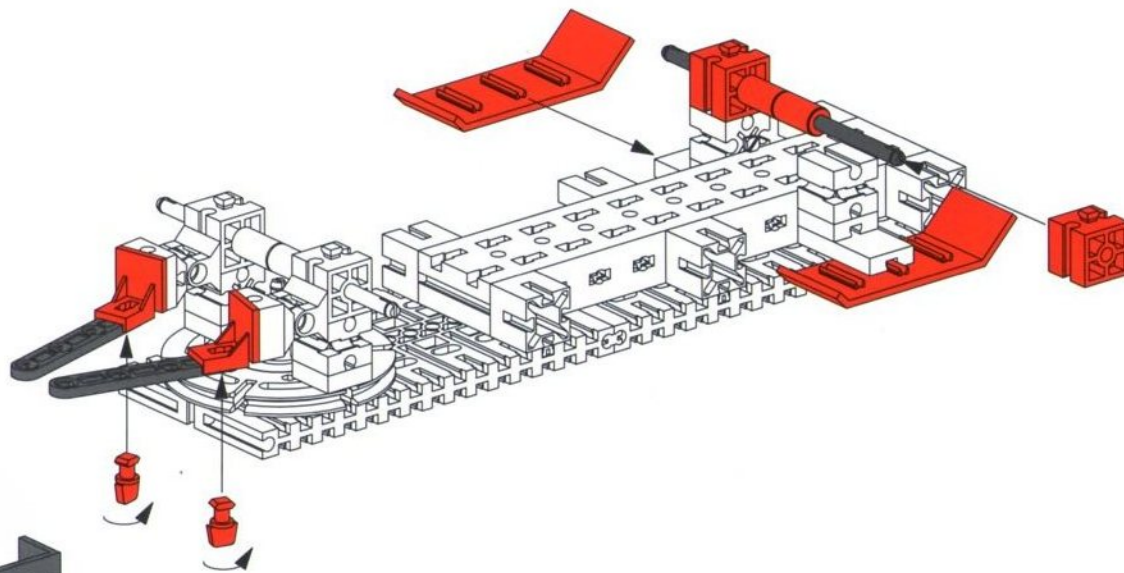
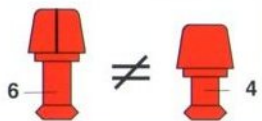
18



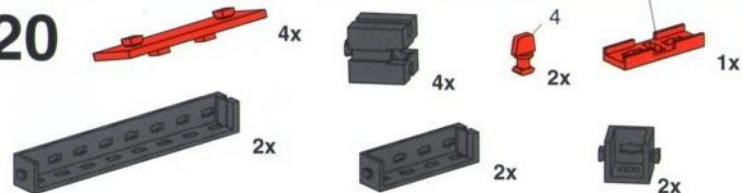
19



98



20



21



6x



4x



2x

4



2x



2x



1x

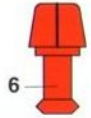
15

1x

1

2x

4

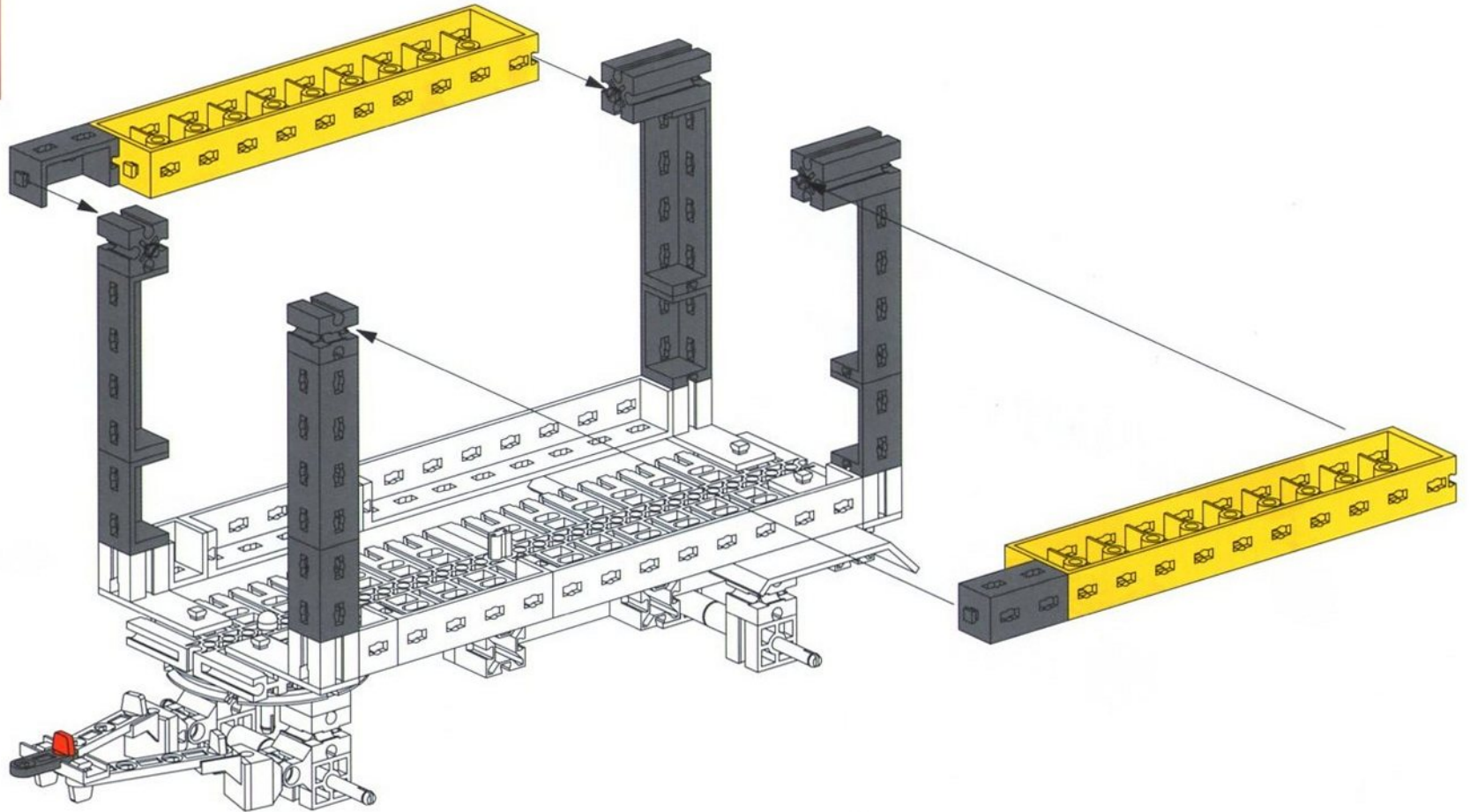


6

≠



4



22



4x



2x



1x



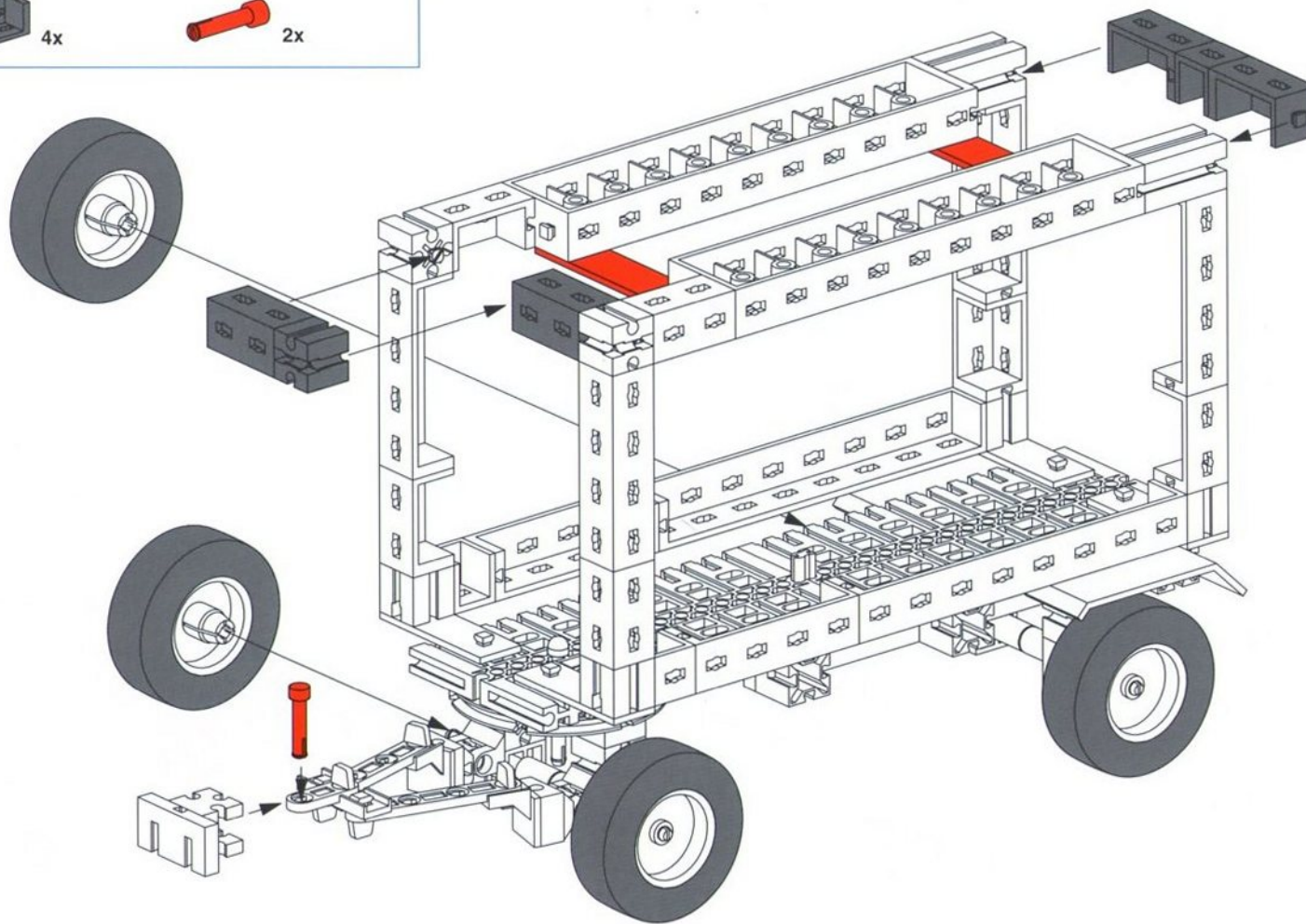
1x



4x

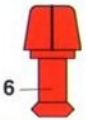
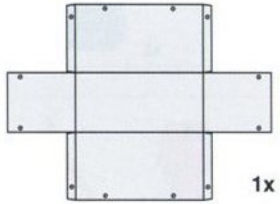


2x



23

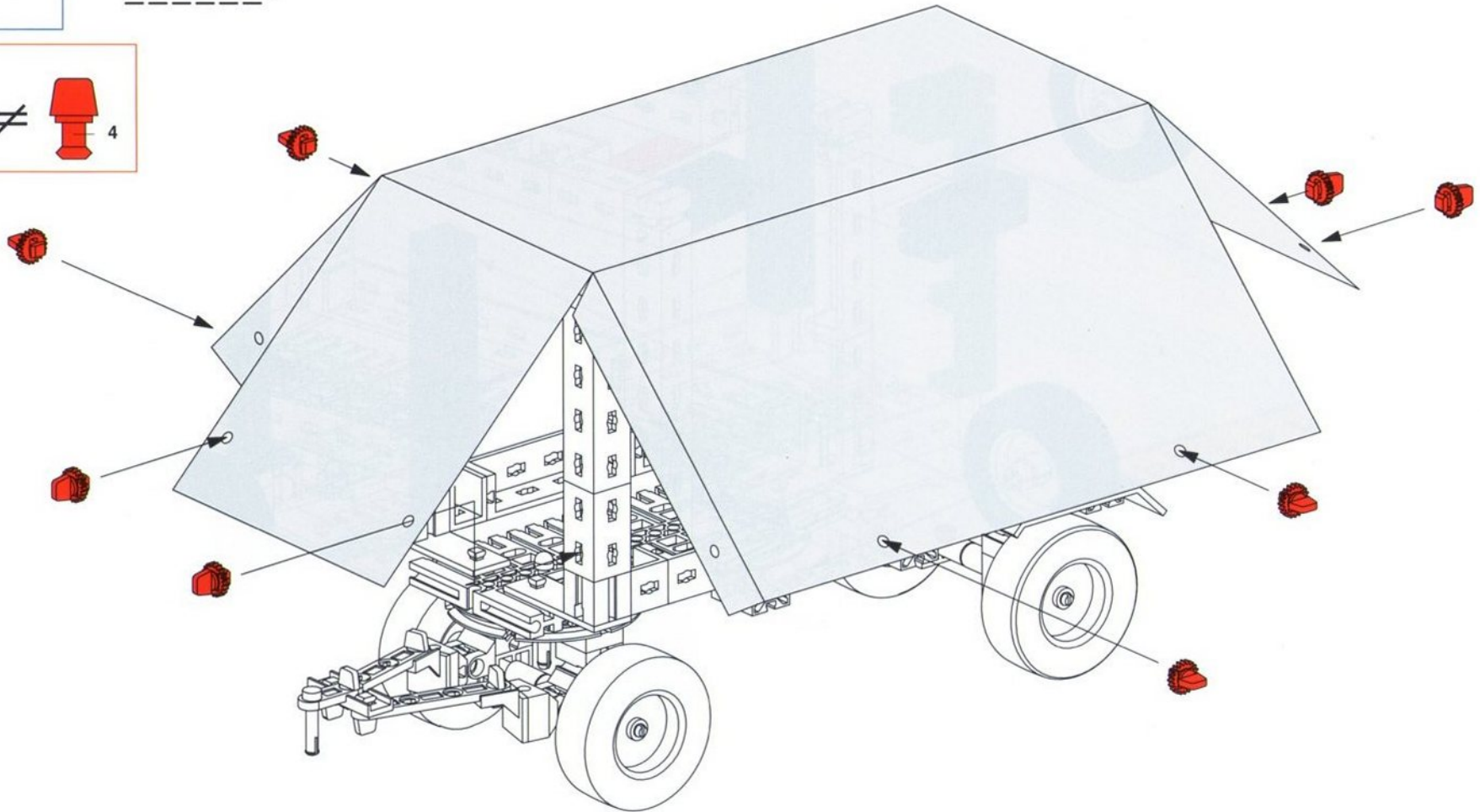
6
8x 8x

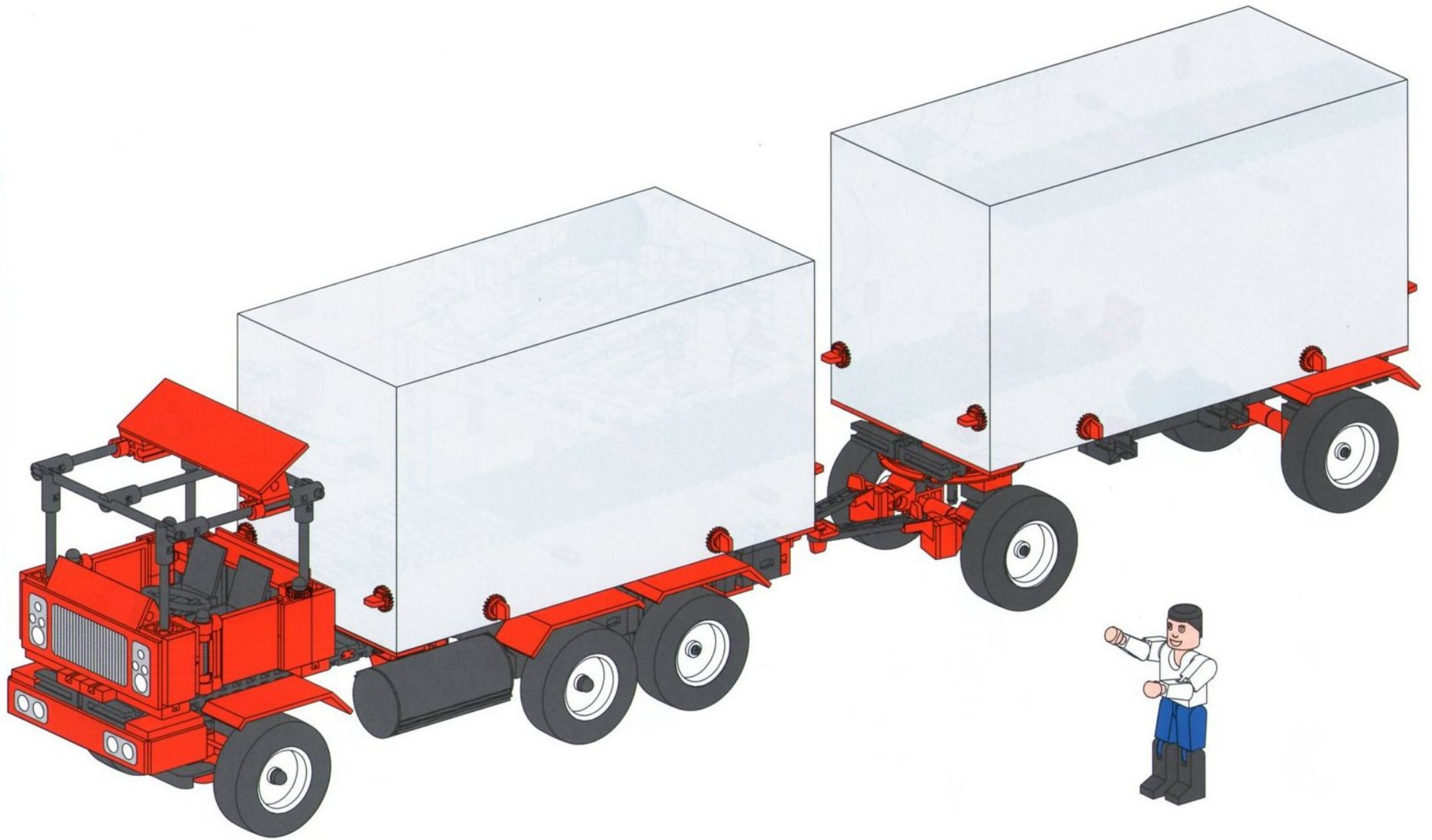


≠



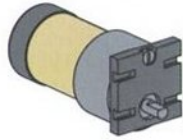
4





Motorisierung und Fernsteuerung
Motorization and remote control
Motorisation et télécommande

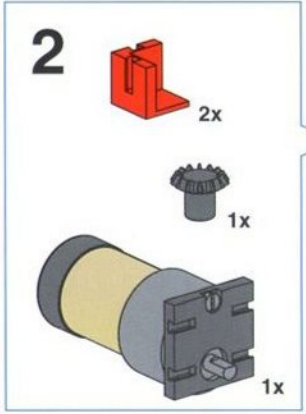
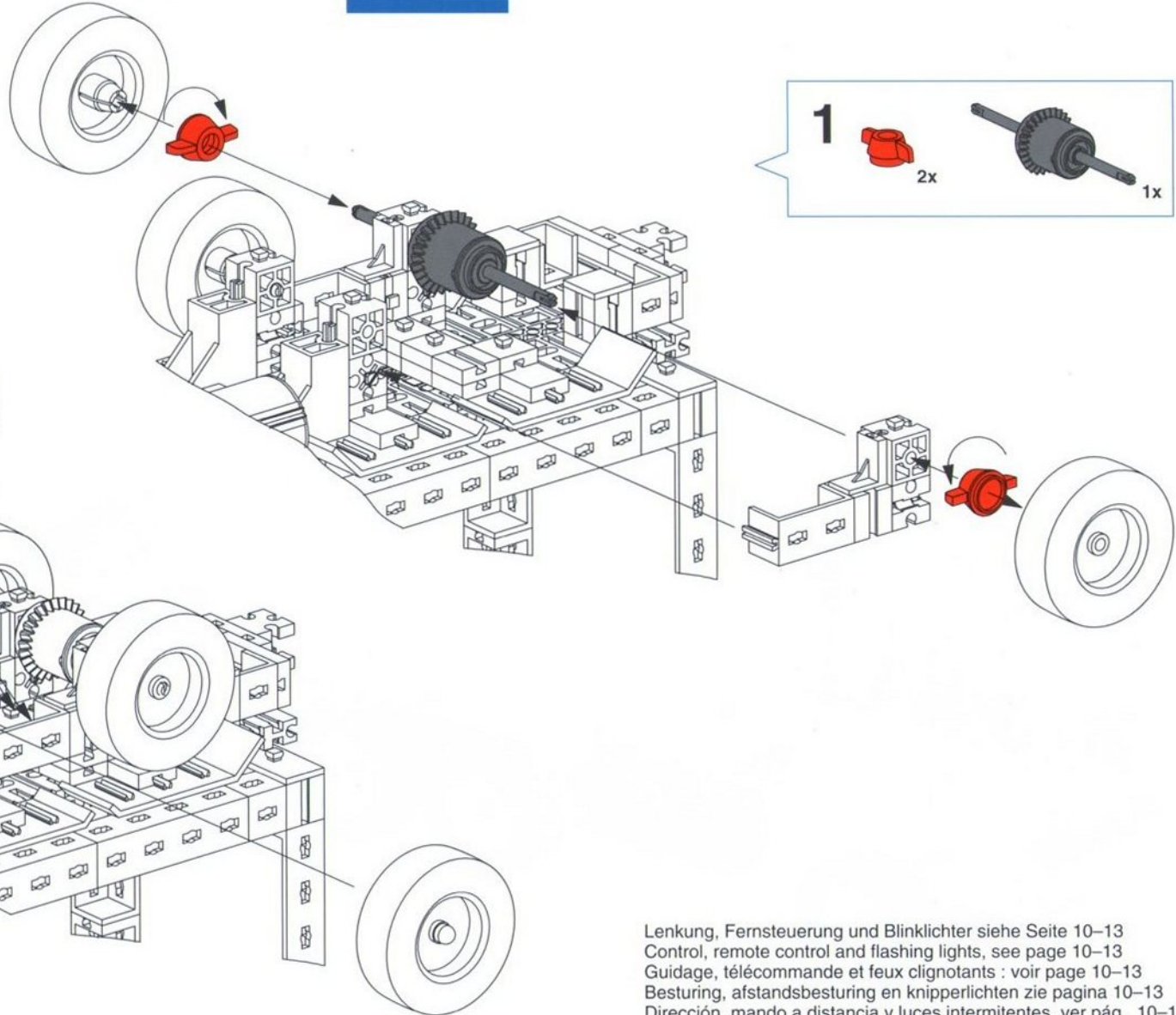
Radantrieb
 Wheel drive
 Entraînement de roue



Motorisering en afstandsbesturing
Motorización y mando a distancia
Motorização e telecomando

Wiel aandrijving
 Accionamiento por ruedas
 Tracção às rodas

Power Motor
 Set
 34965

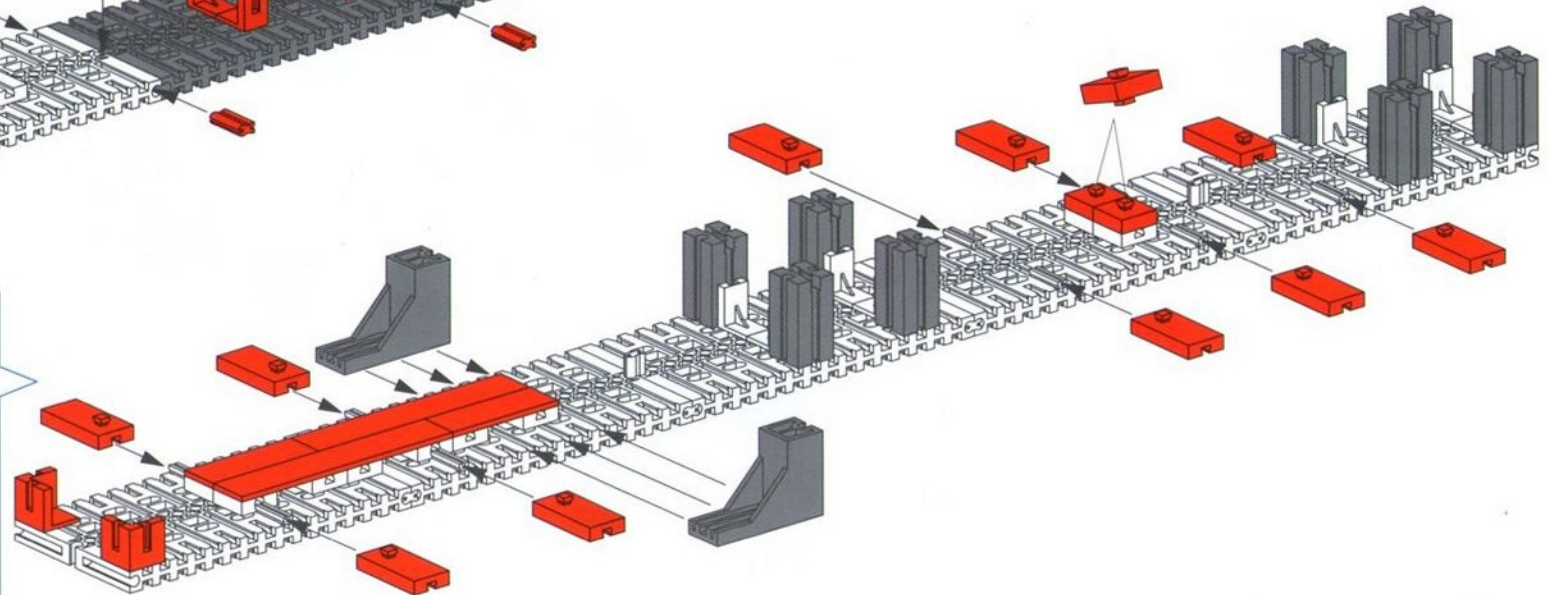
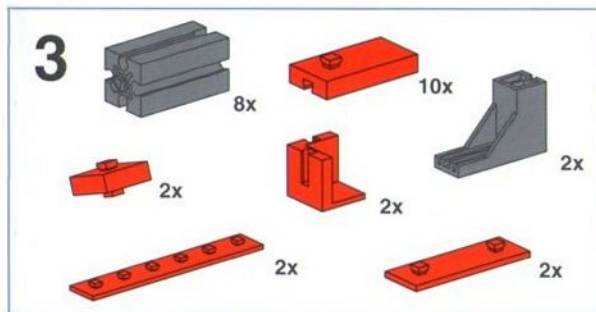
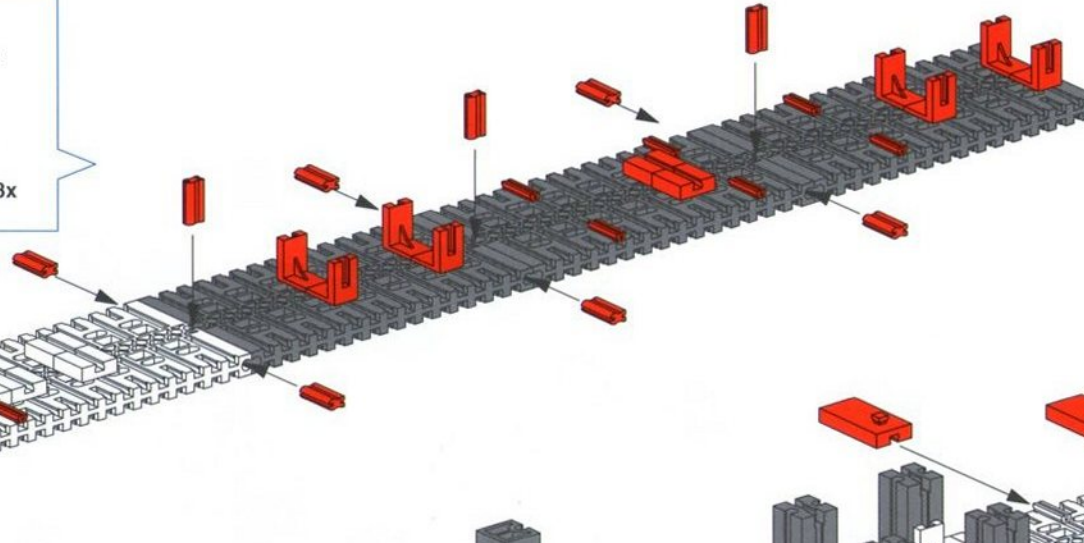
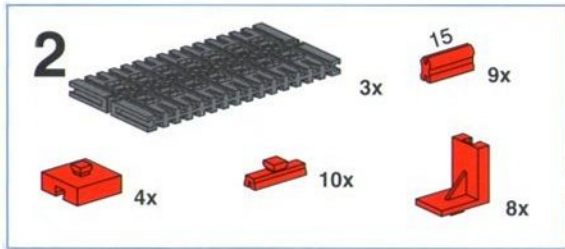
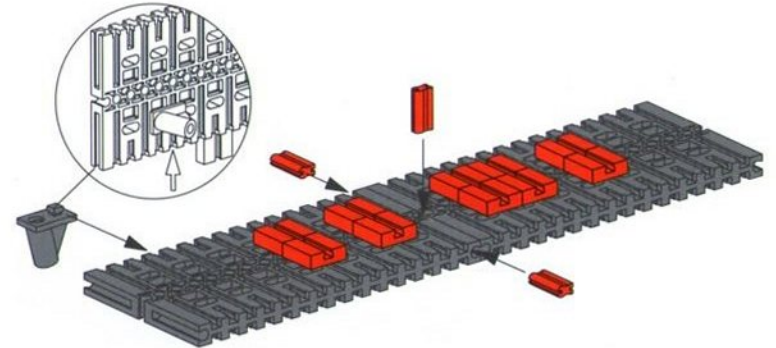
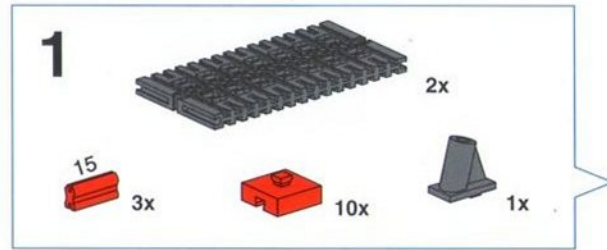


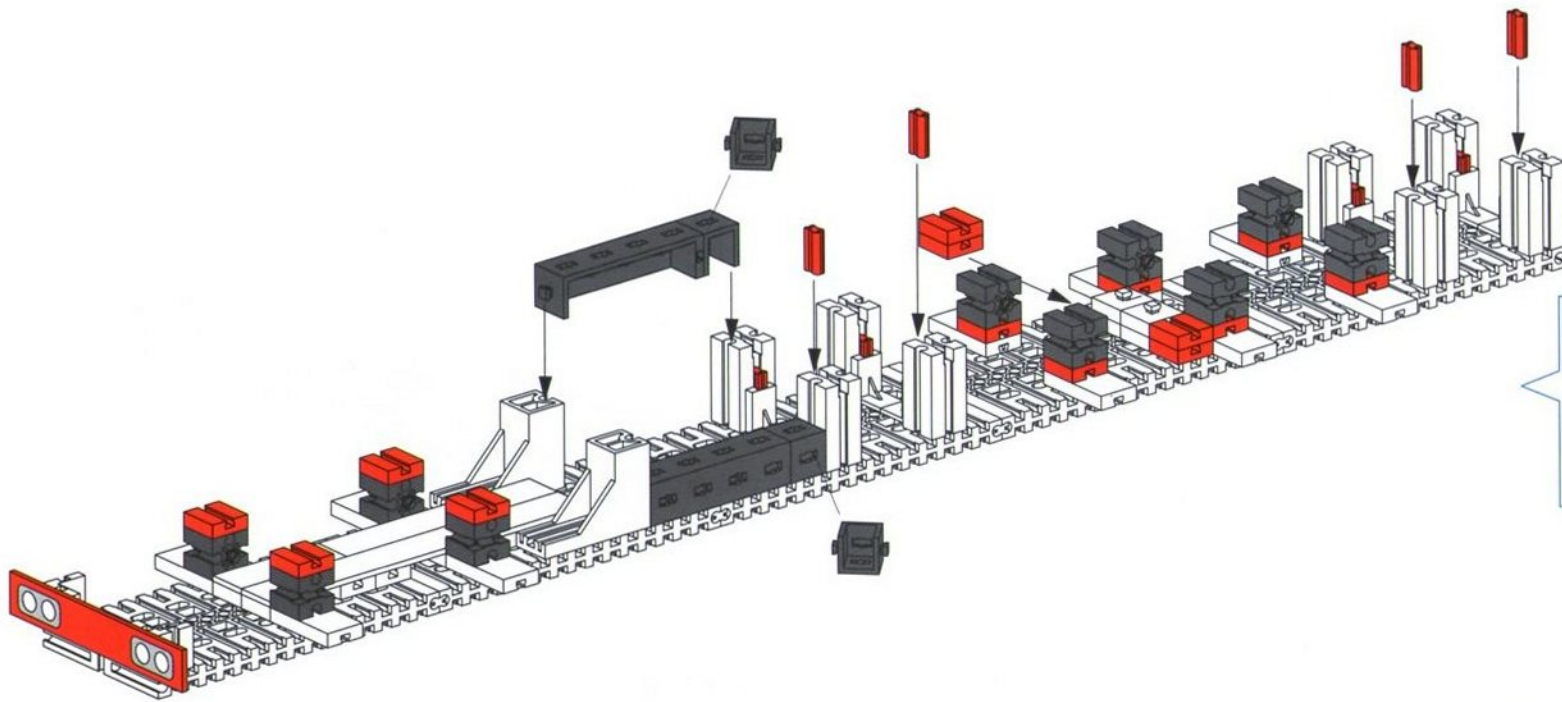
Lenkung, Fernsteuerung und Blinklichter siehe Seite 10–13
 Control, remote control and flashing lights, see page 10–13
 Guidage, télécommande et feux clignotants : voir page 10–13
 Besturing, afstandsbesturing en knipperlichten zie pagina 10–13
 Dirección, mando a distancia y luces intermitentes, ver pág. 10–13
 Direcção, telecomando e luzes pisca-pisca, vide página 10–13

Autokran
Car crane
Grue mobile à flèche télescopique



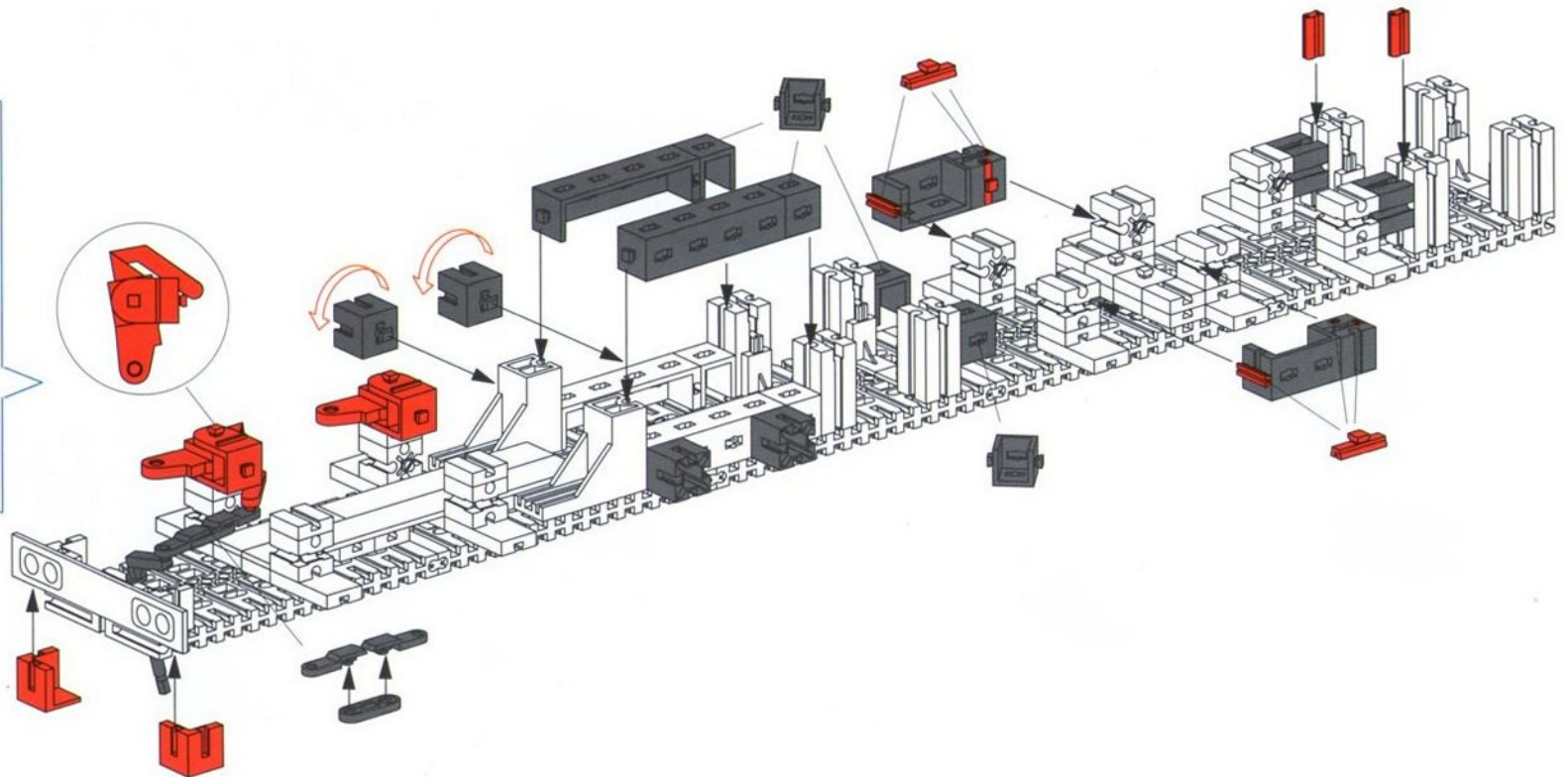
Kraanwagen
Grúa sobre camión
Carro-grua

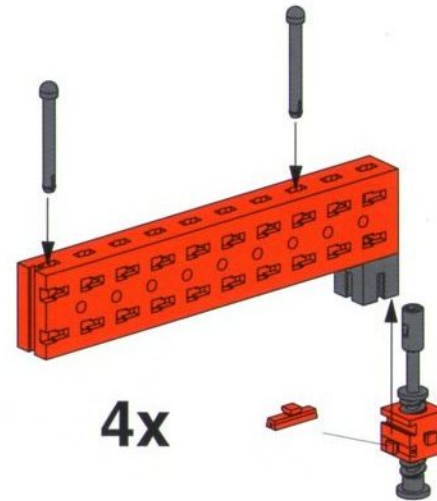
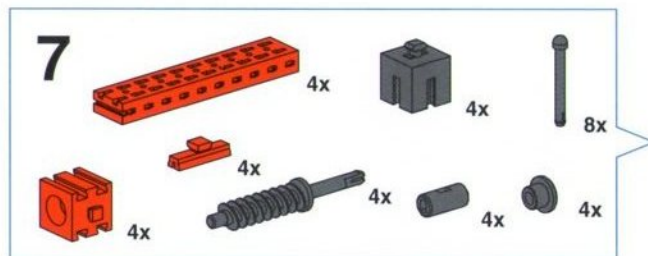
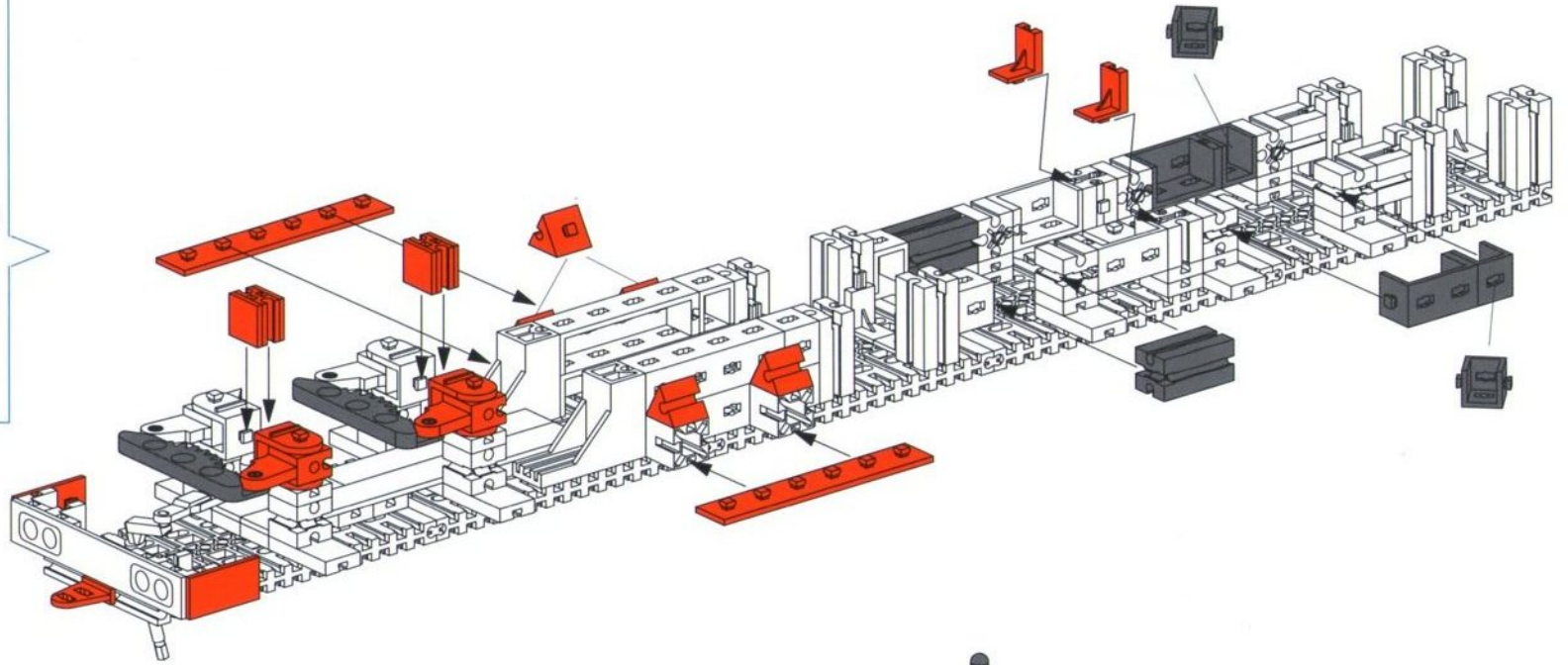
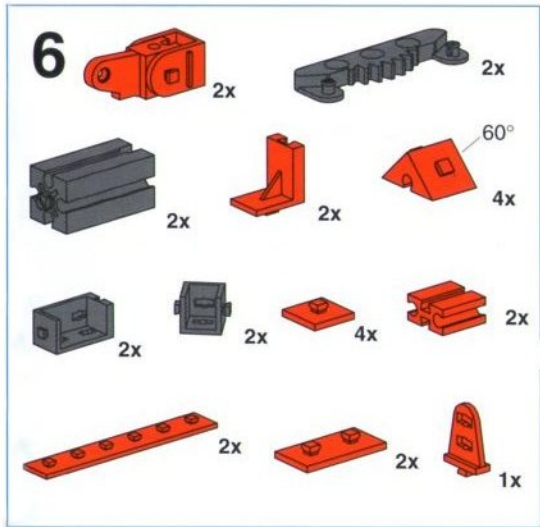


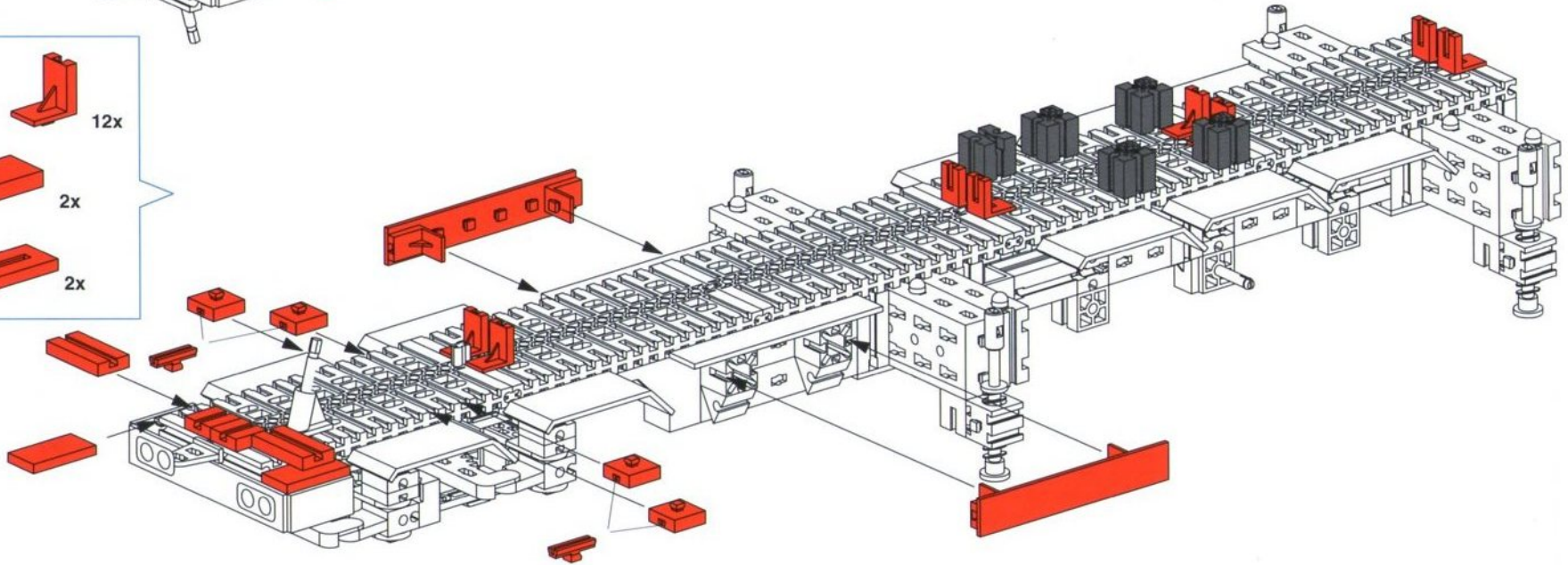
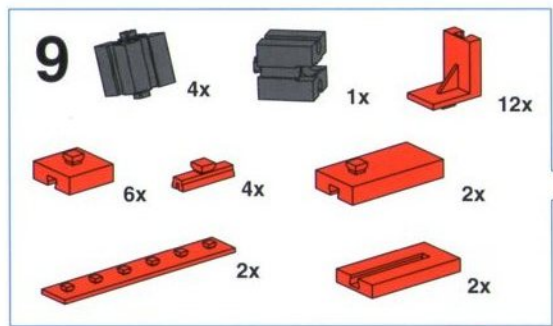
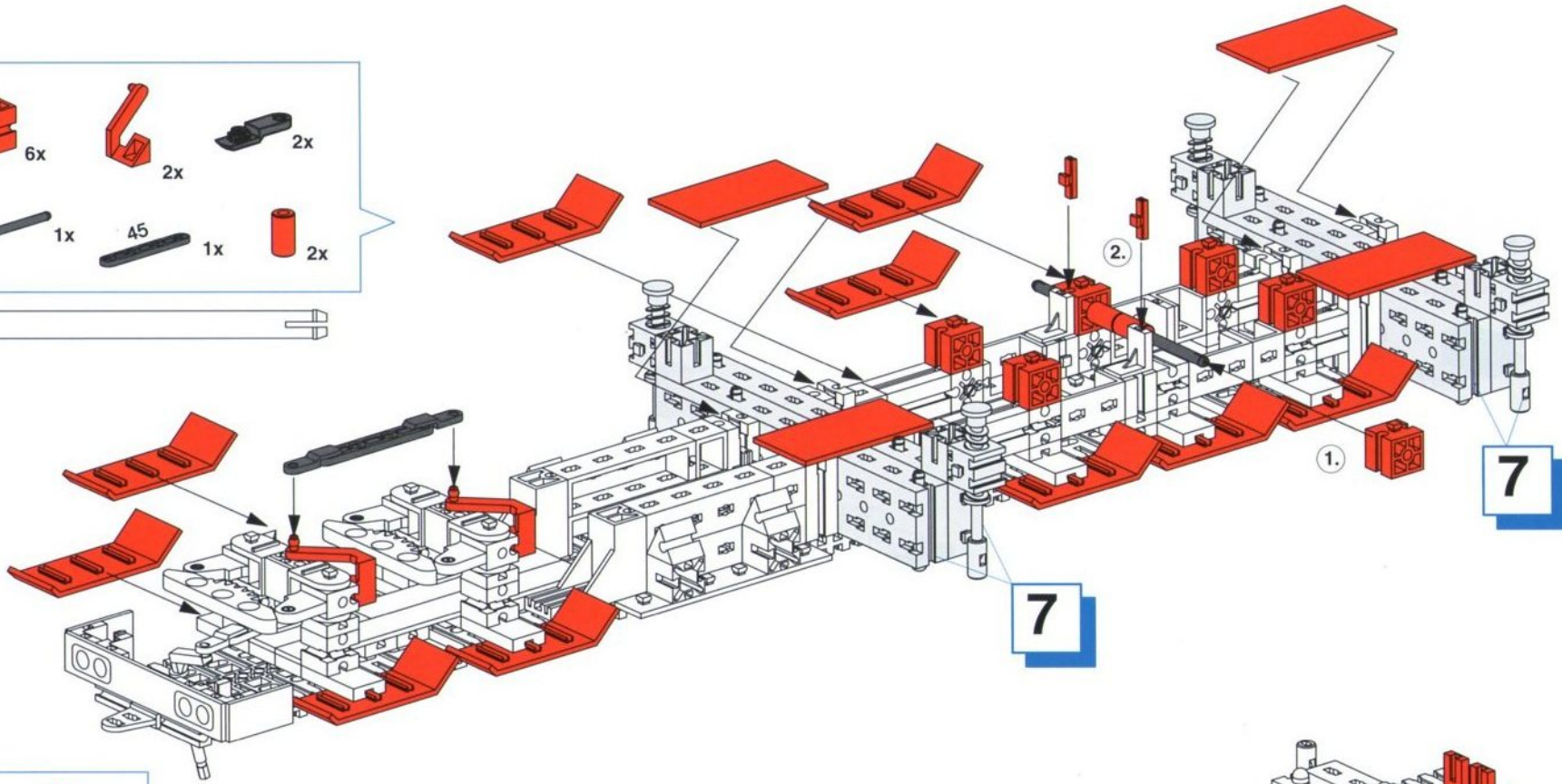
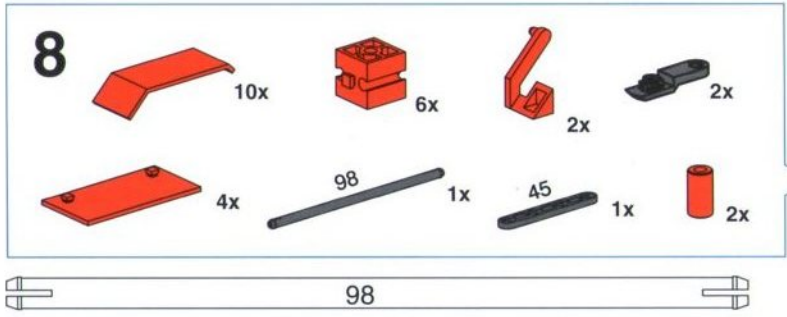


- 4**
- 15 8x
 - 10x
 - 14x
 - 2x
 - 2x
 - 1x

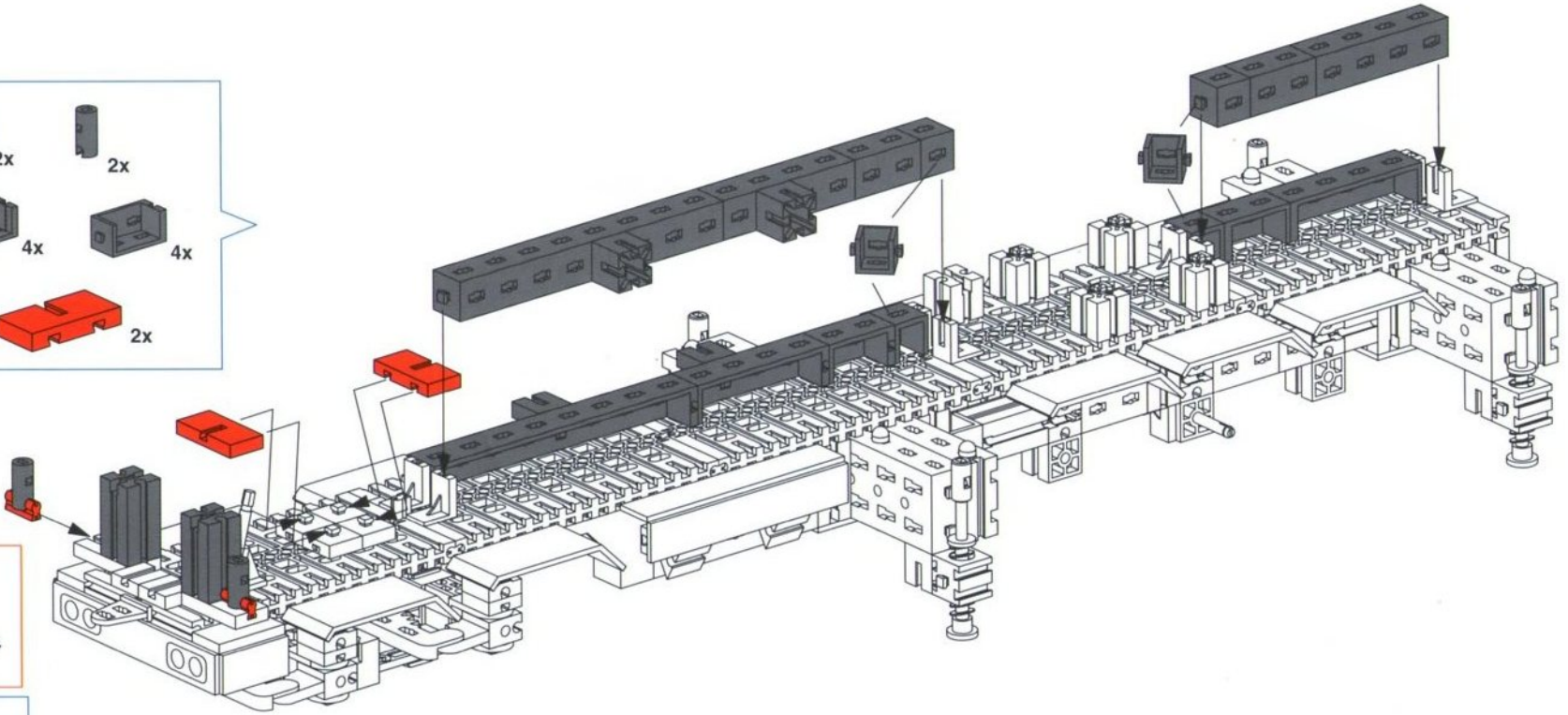
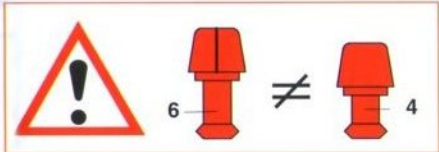
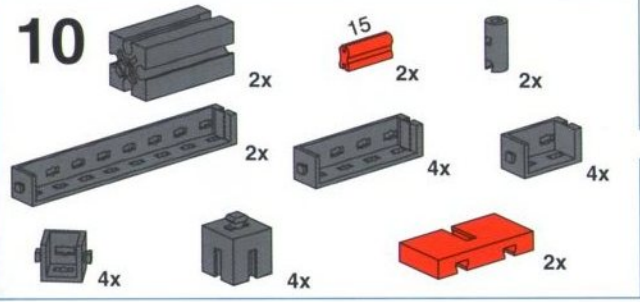
- 5**
- 2x
 - 2x
 - 4x
 - 4x
 - 4x
 - 2x
 - 1x
 - 2x
 - 6x
 - 1x
 - 2x
 - 15 2x
 - 2x
 - 15 1x



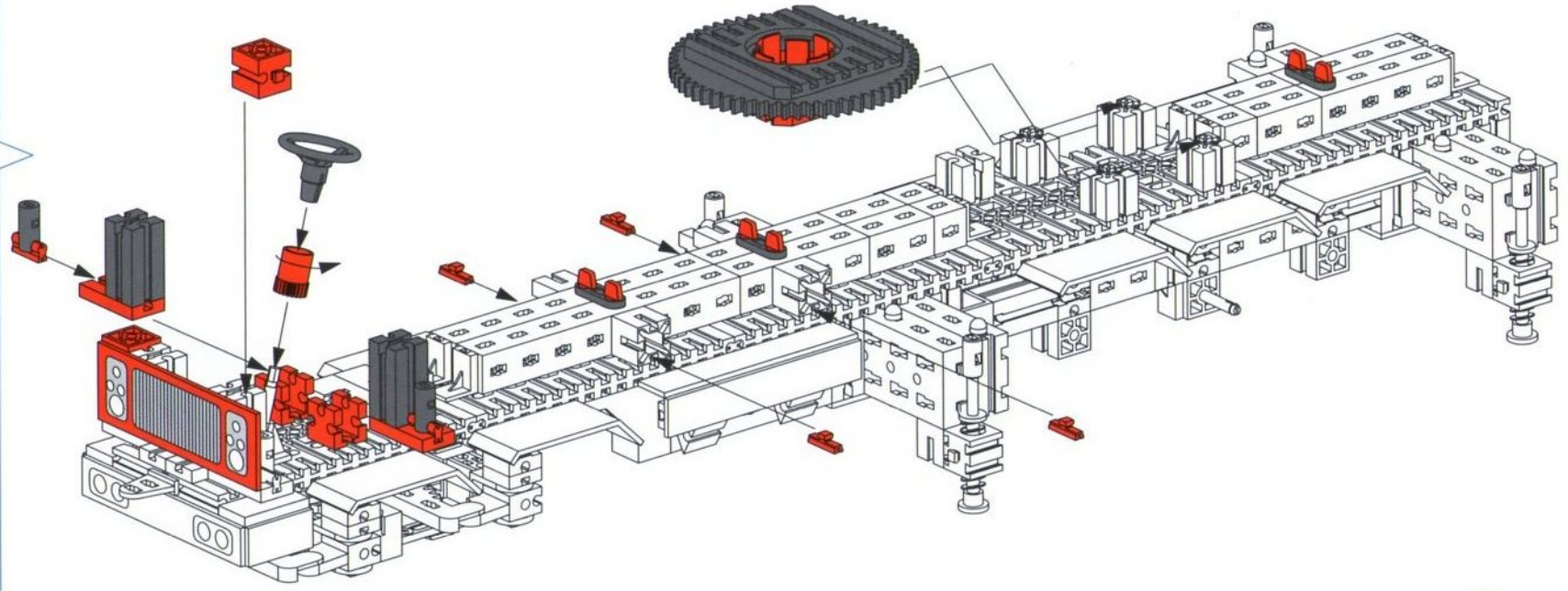
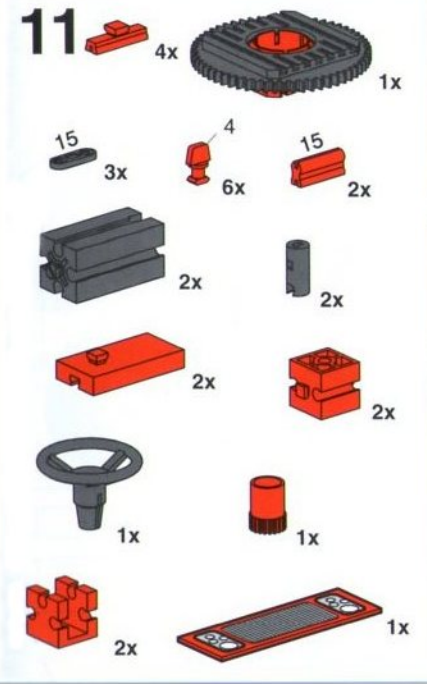




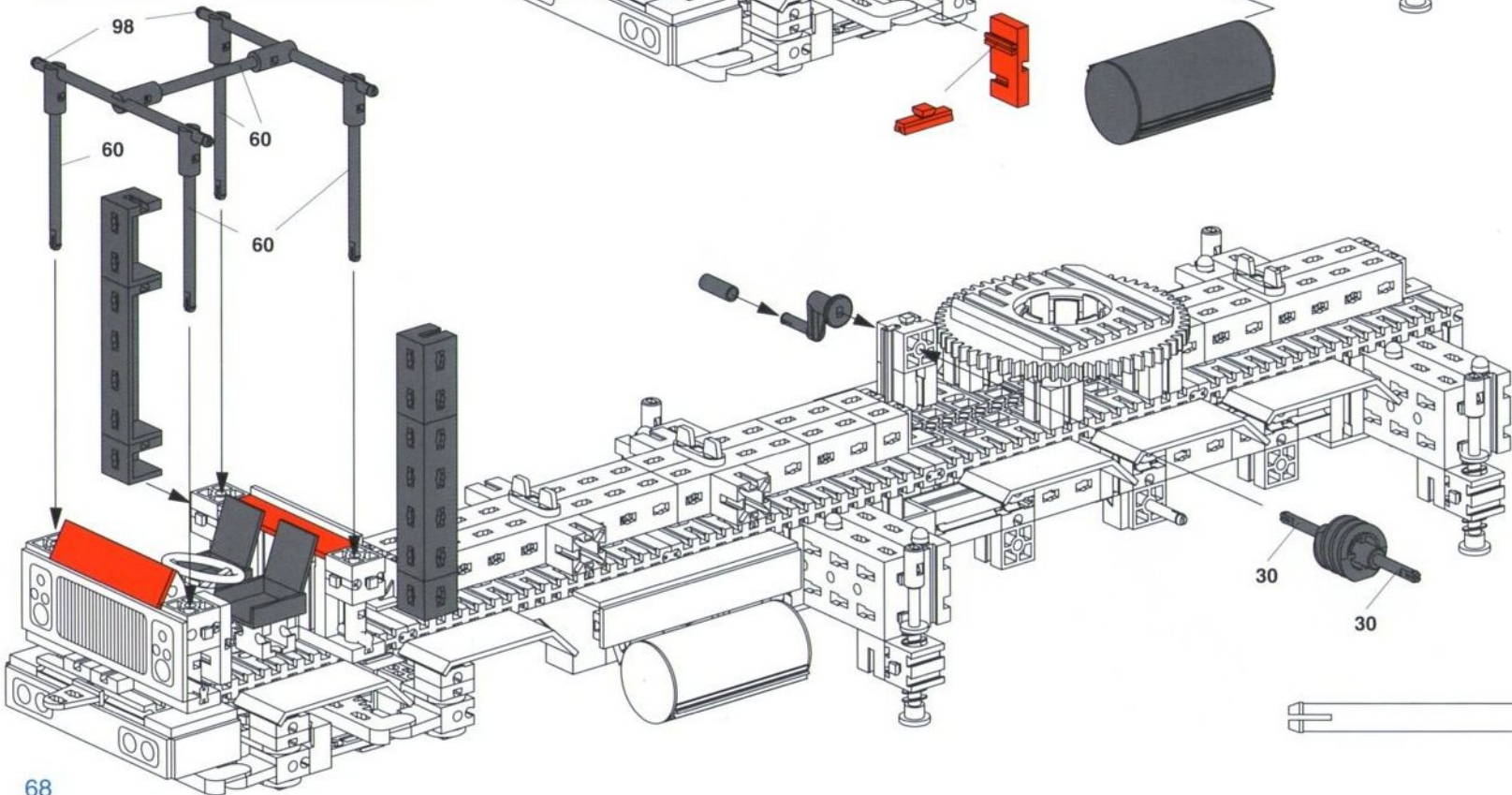
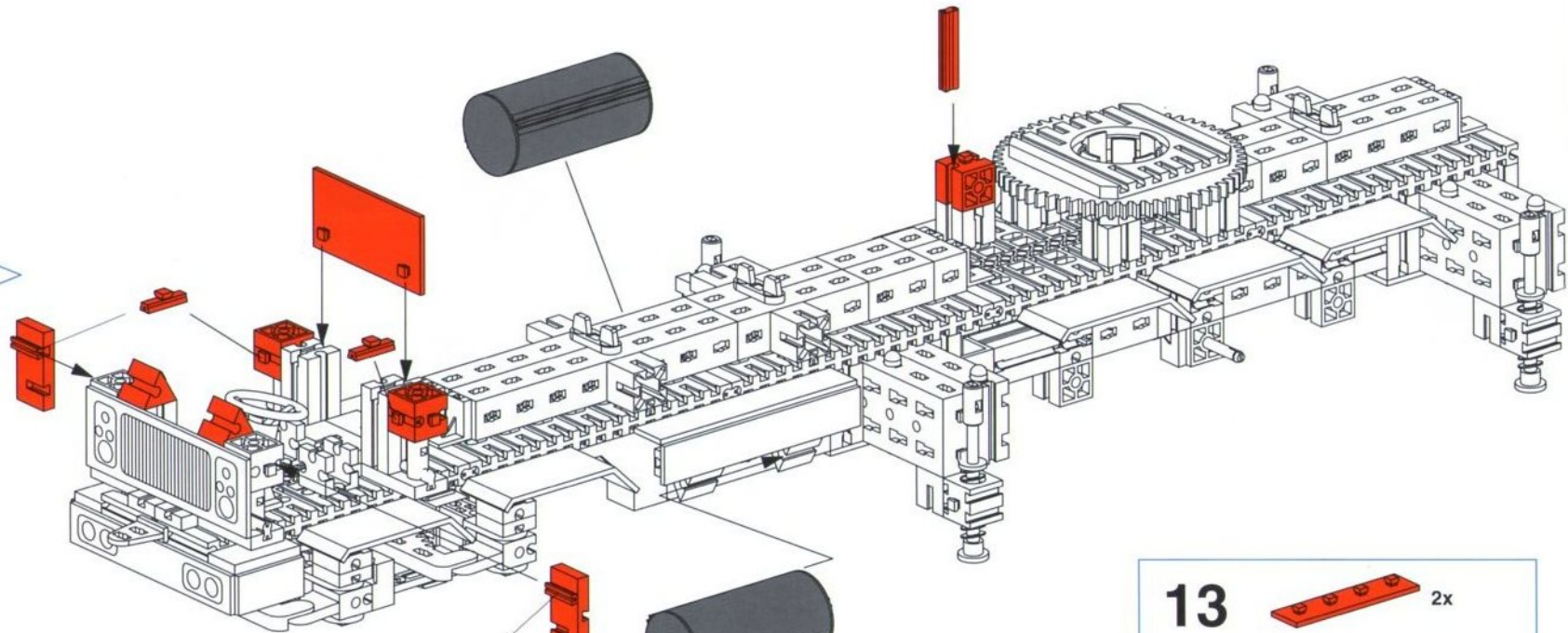
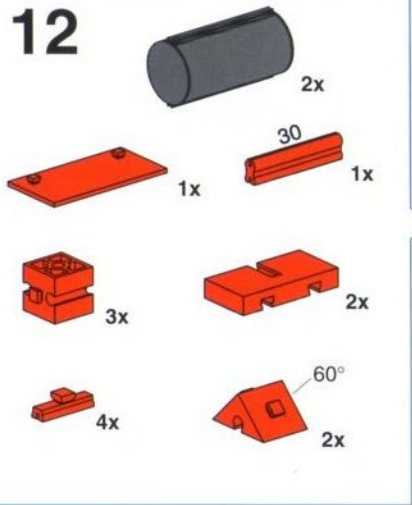
10



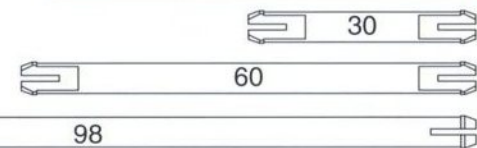
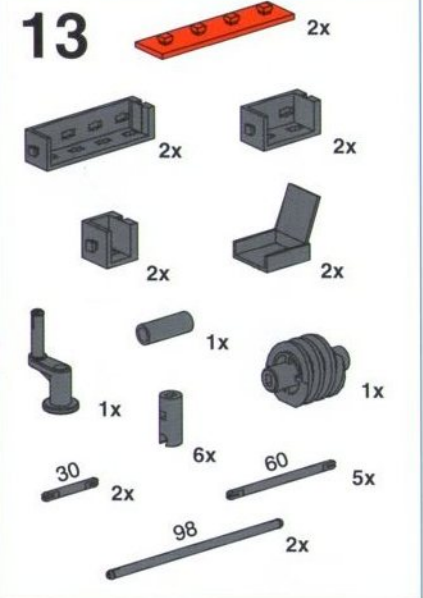
11



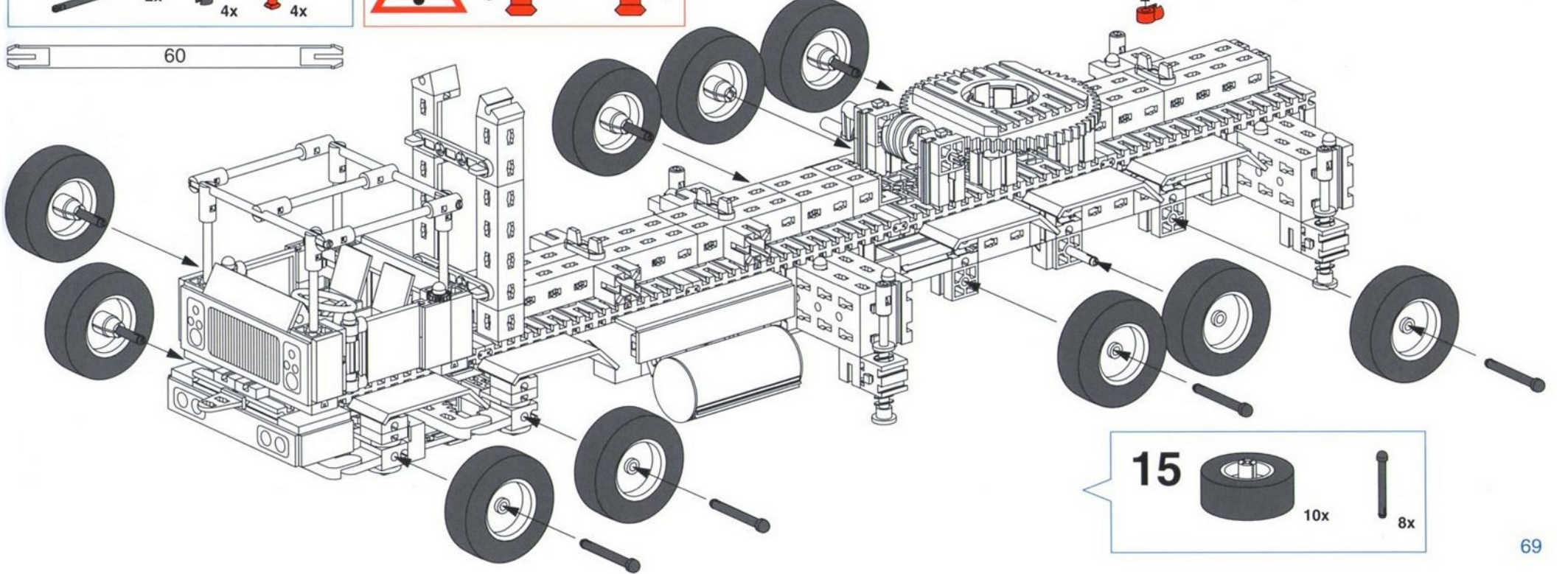
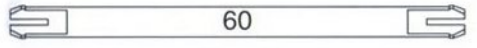
12



13



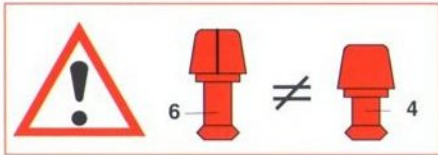
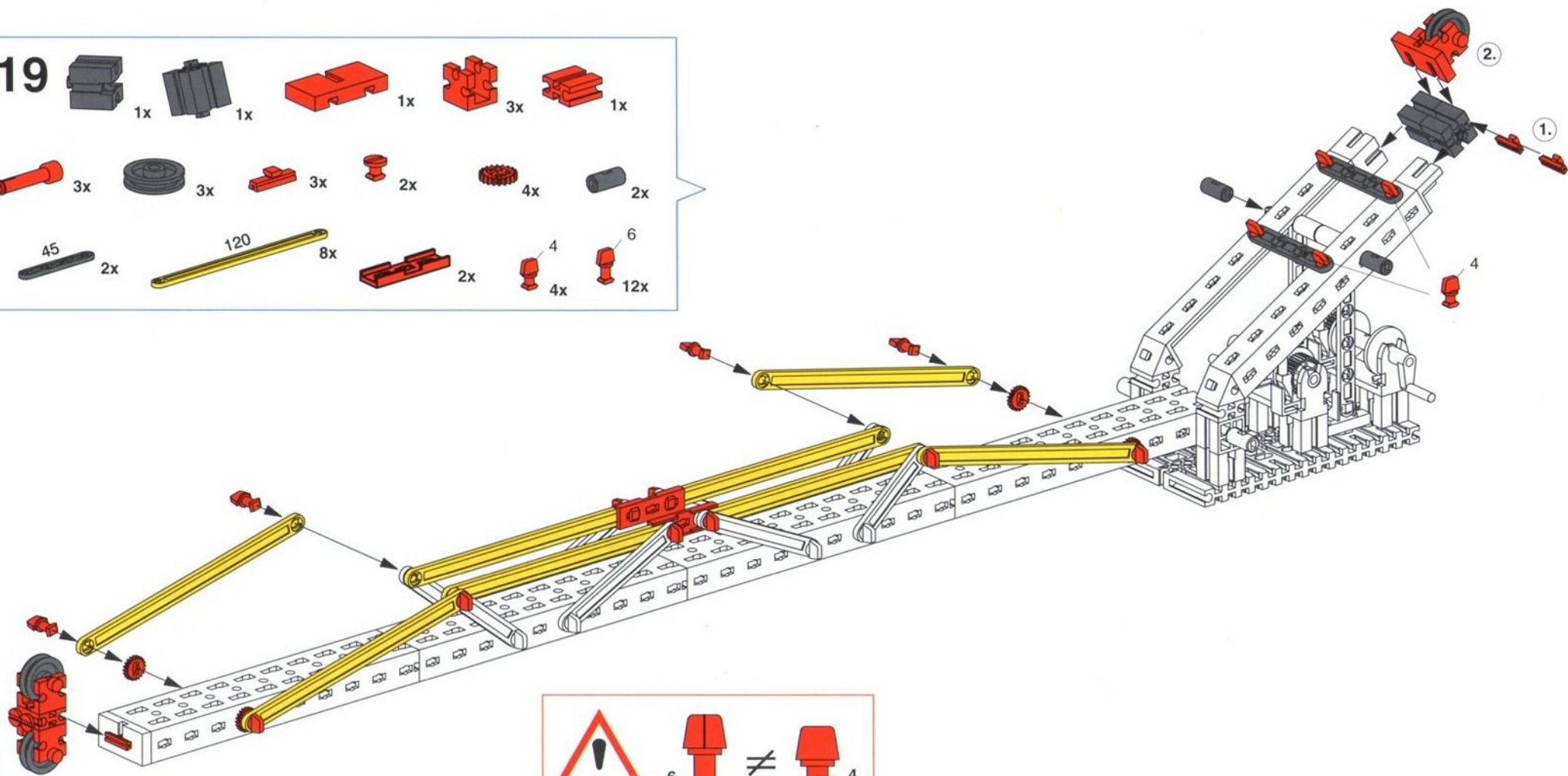
- 14**
- 30° 2x
 - 1x
 - 1x
 - 30 1x
 - 4x
 - 2x
 - 6x
 - 4x
 - 4x
 - 2x
 - 2x
 - 45 2x
 - 60 2x
 - 4x
 - 4x
 - 4x








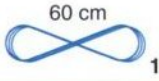

- 15**
- 10x
 - 8x

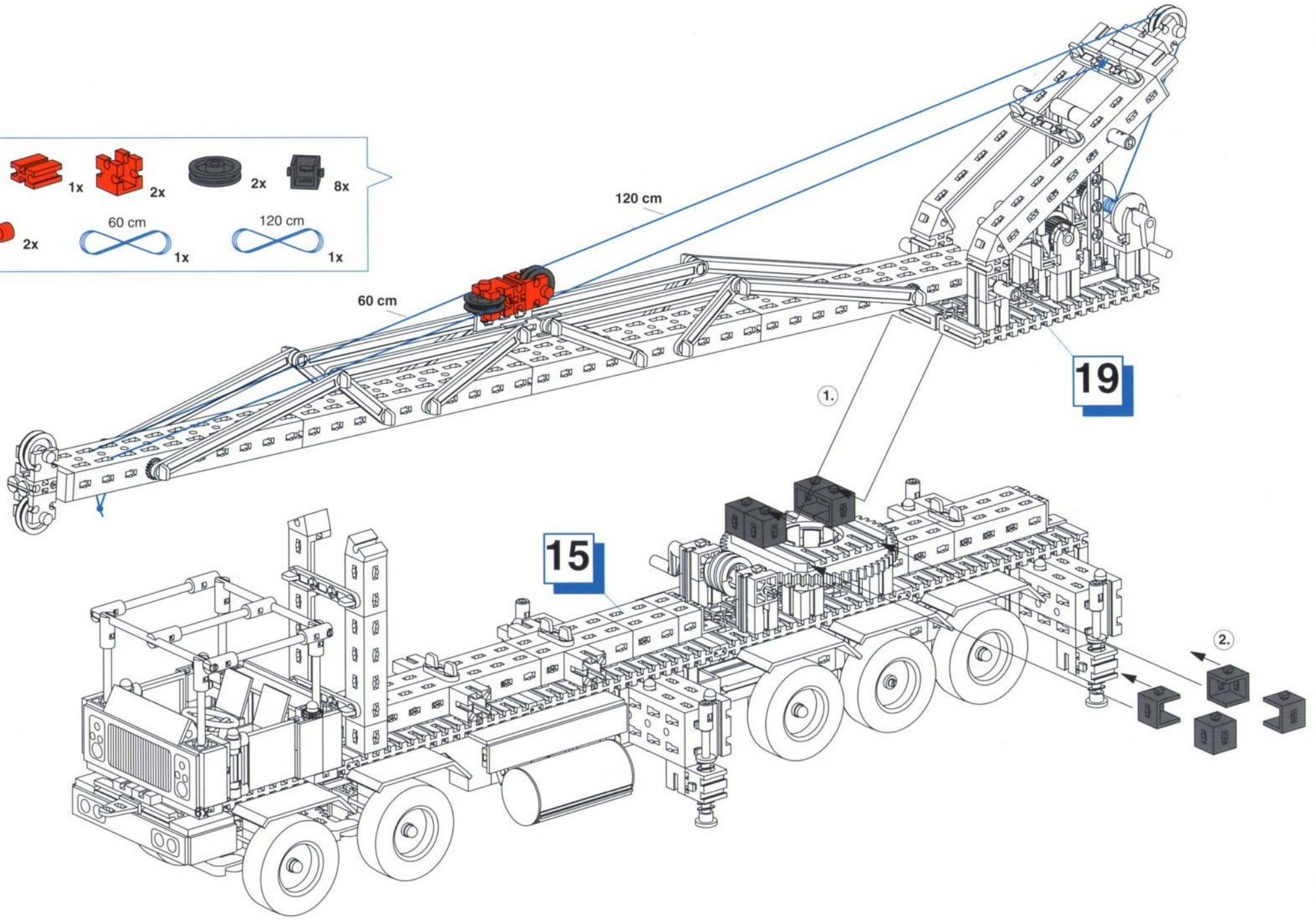
19

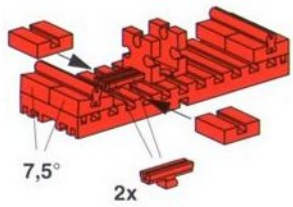
- 1x [Grey 1x3 Technic Connector]
- 1x [Grey 1x3 Technic Connector]
- 1x [Red 1x3 Technic Connector]
- 1x [Red 1x3 Technic Connector]
- 3x [Red 1x3 Technic Connector]
- 1x [Red 1x3 Technic Connector]
- 3x [Red Pin]
- 3x [Grey Wheel]
- 3x [Red 1x2 Technic Connector]
- 2x [Red Pin]
- 4x [Red Gear]
- 2x [Grey Pin]
- 2x [Grey Pin 45]
- 8x [Yellow Pin 120]
- 2x [Red 1x2 Technic Connector]
- 4x [Red Pin]
- 4x [Red Pin]
- 6x [Red Pin]
- 12x [Red Pin]



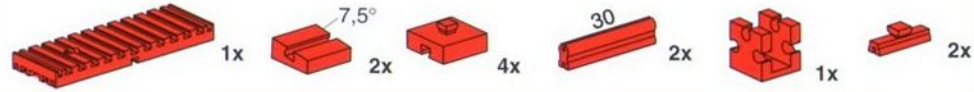
20

 1x
 2x
 2x
 8x
 2x
 1x
 1x

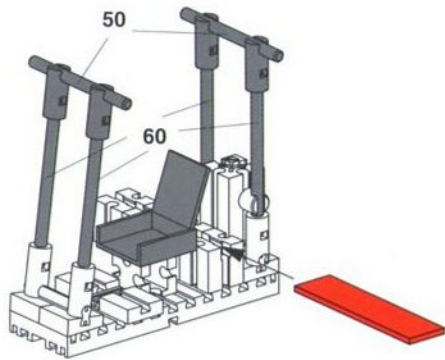
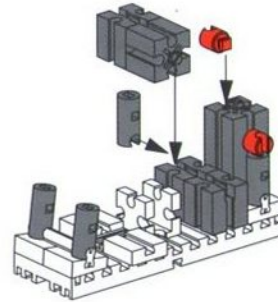




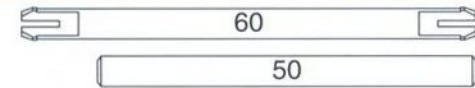
20



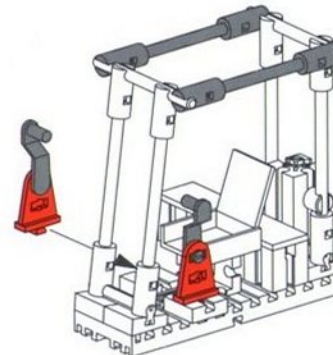
21

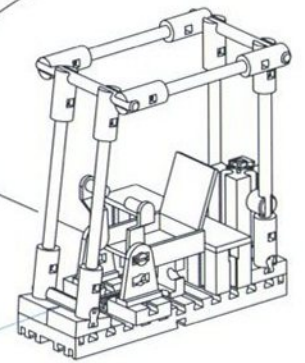
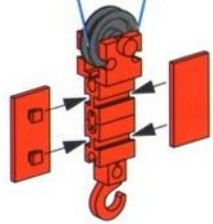
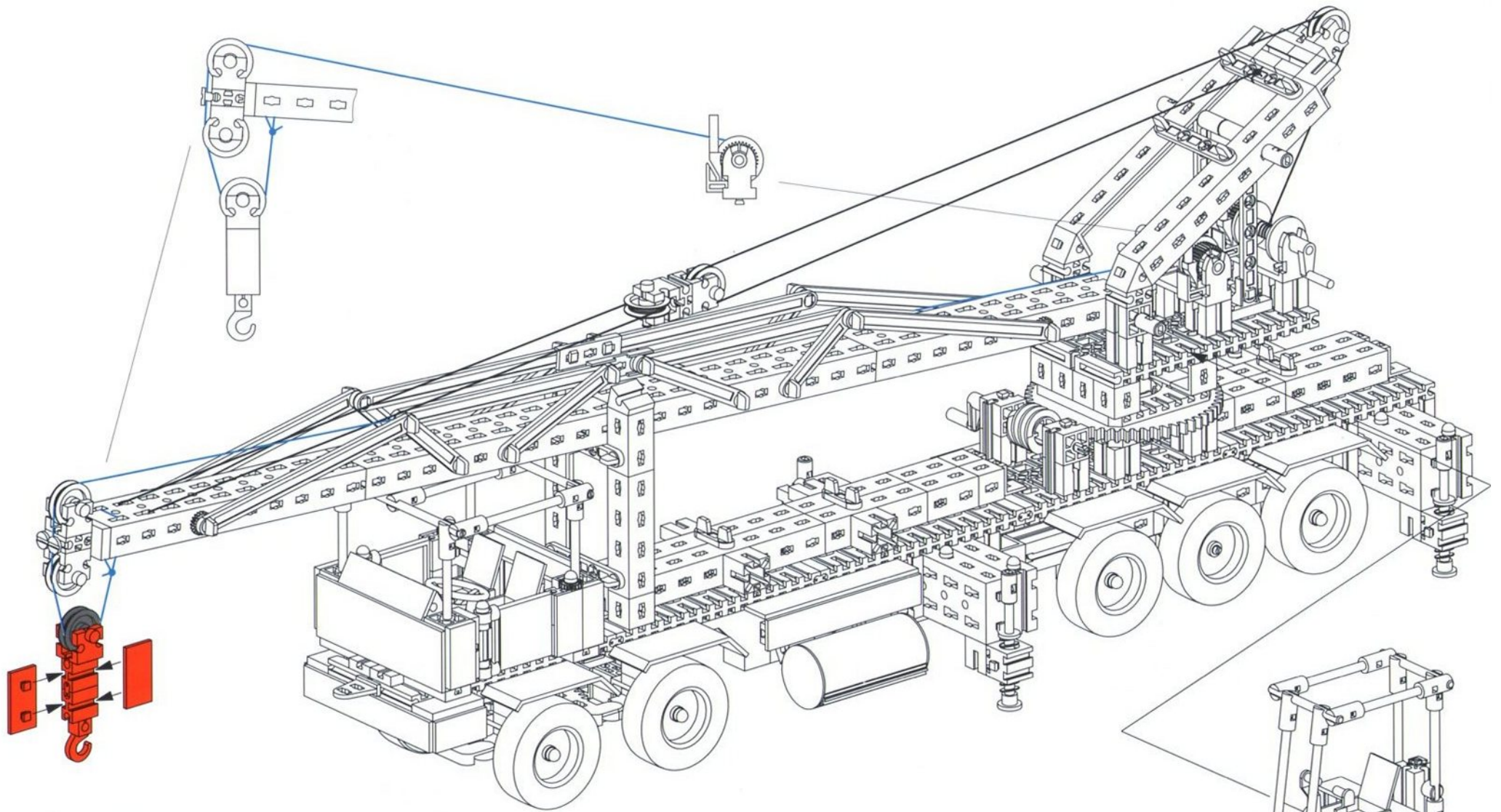











22



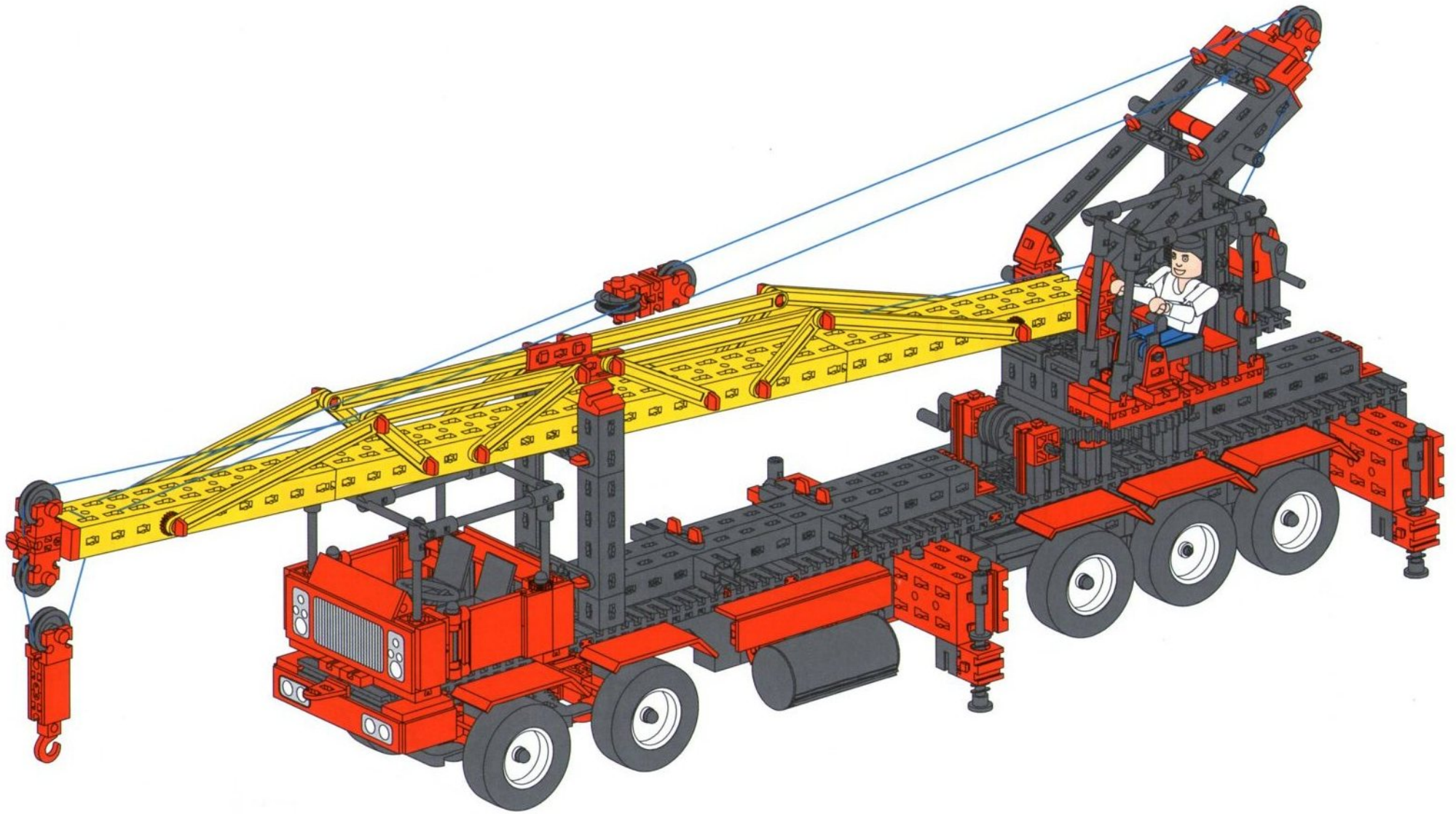
23





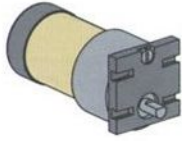
- 24**
-  2x
 -  1x
 -  1x
 -  1x
 -  2x
 -  1x
 -  1x
 -  1x
 -  200 cm

23



Motorisierung und Fernsteuerung
Motorization and remote control
Motorisation et télécommande

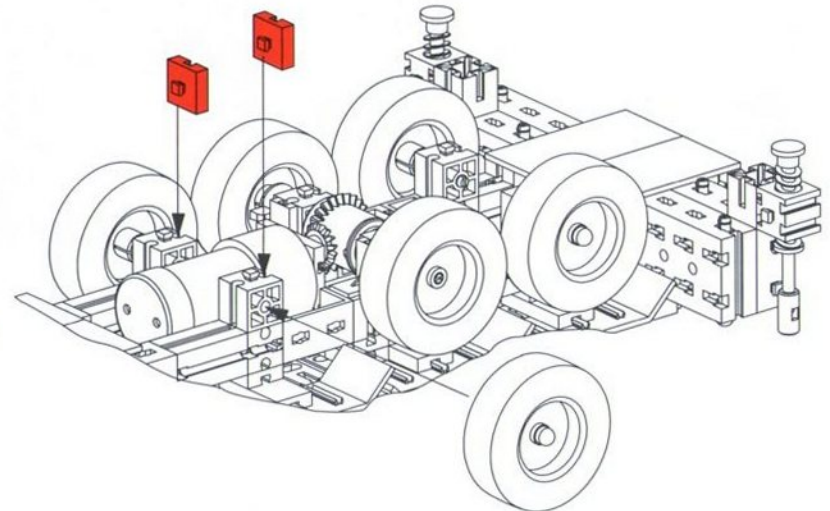
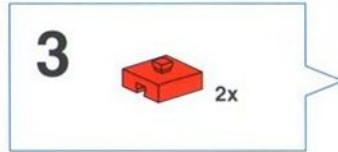
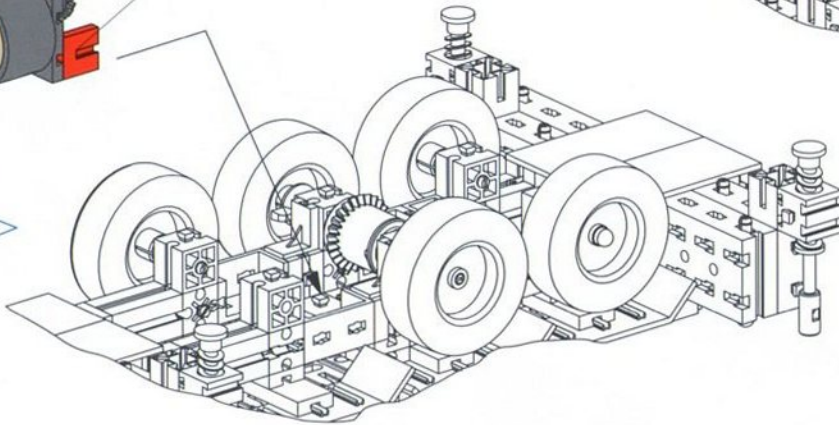
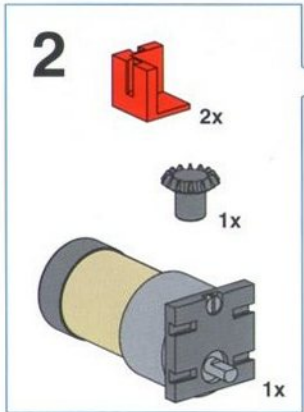
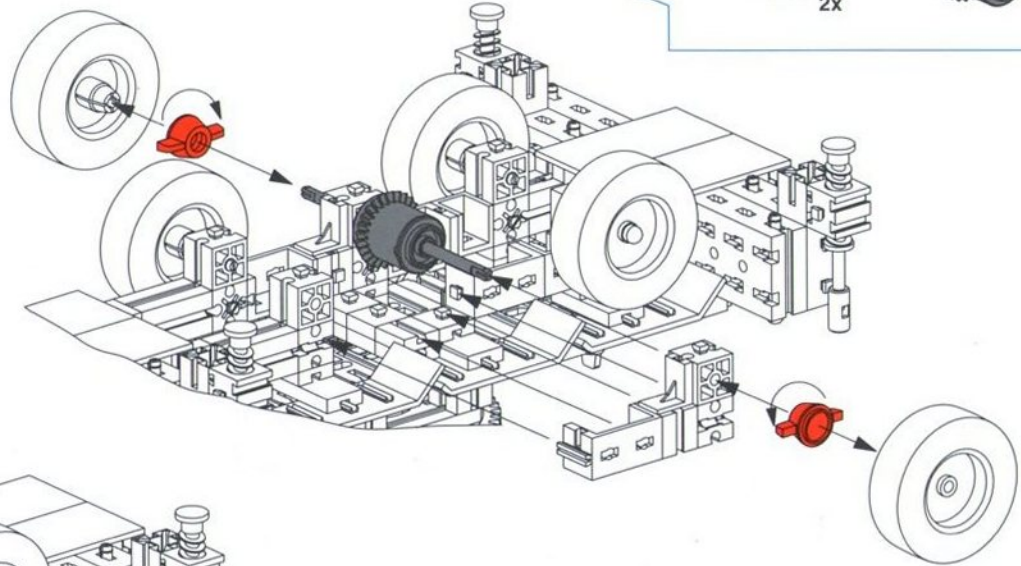
Radantrieb
 Wheel drive
 Entraînement de roue

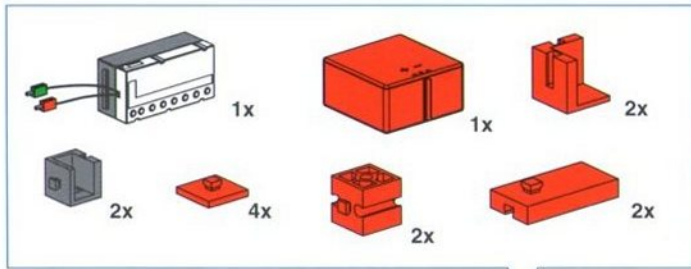


Motorisering en afstandsbesturing
Motorización y mando a distancia
Motorização e telecomando

Wiel aandrijving
 Accionamiento por ruedas
 Tracção às rodas

**Power Motor
 Set
 34965**

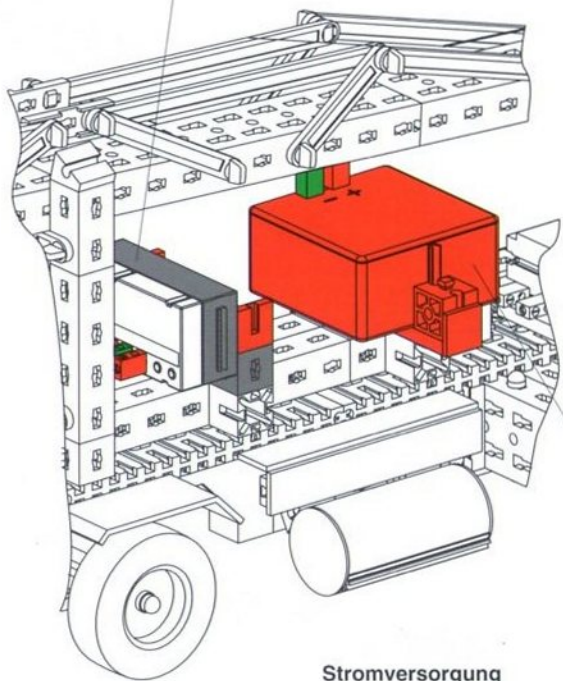




IR Control Set 30344

Fernsteuerung
Remote control
Télécommande

Afstandsbesturing
Mando a distancia
Telecomando

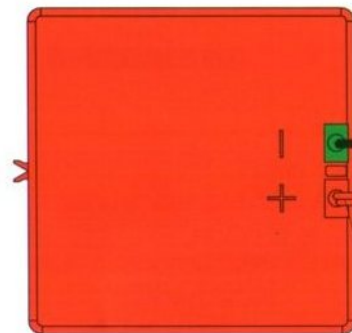


**Stromversorgung
Power supply
Alimentation électrique**

**Stroomvoorziening
Alimentación de corriente
Alimentação elétrica**

Accu Set 34969

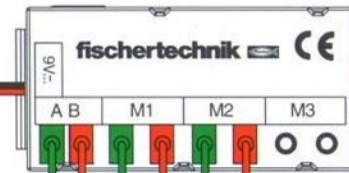
**Schaltplan
Circuit diagram
Plan électrique**



3

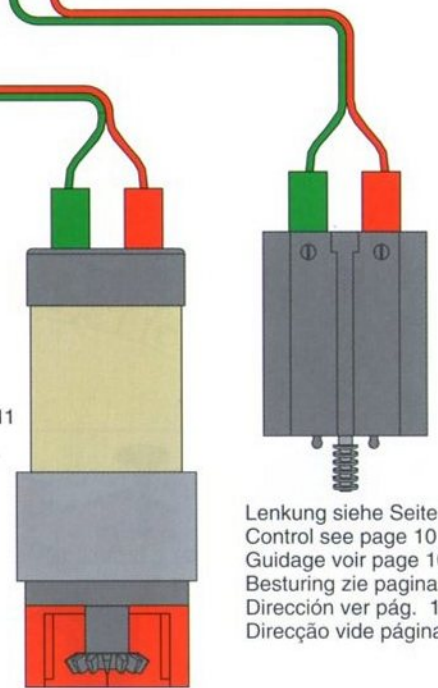
Servofunktion siehe Seite 11
Track function see page 11
Fonktion direction assistée voir page 11
Rupsfunctie zie pagina 11
Servofunção ver pág. 11
Servofunção vide página 11

**Schakelschema
Diagrama de circuitos
Plano elétrico de ligação**



2

1



Lenkung siehe Seite 10
Control see page 10
Guidage voir page 10
Besturing zie pagina 10
Dirección ver pág. 10
Direcção vide página 10

**Radantrieb
Wheel drive
Entraînement de roue
Wiel aandrijving
Accionamiento por ruedas
Tracção às rodas**

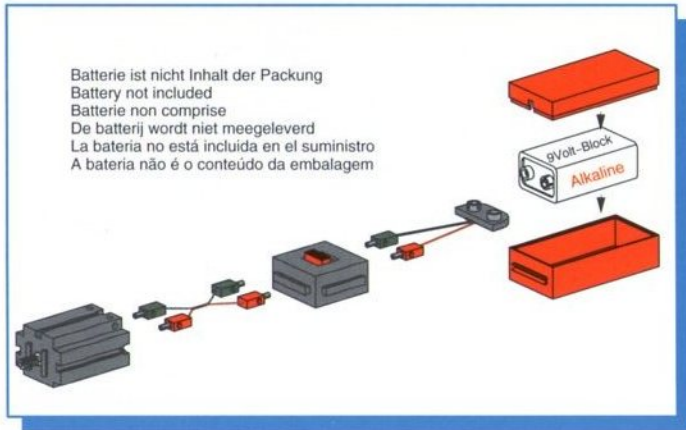
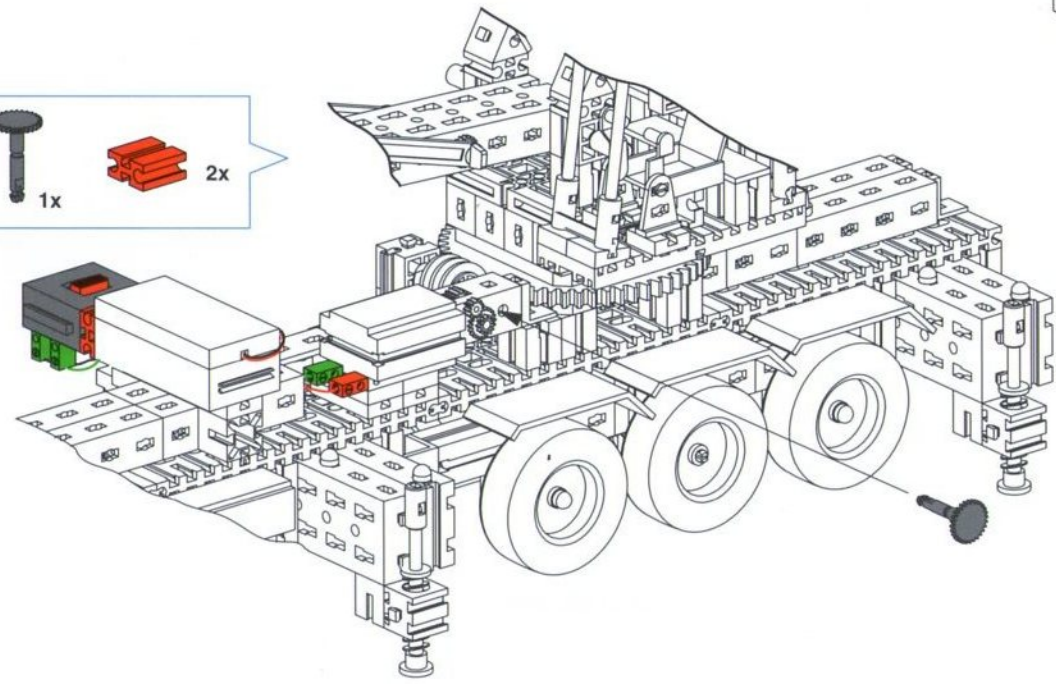
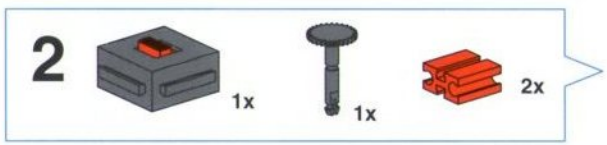
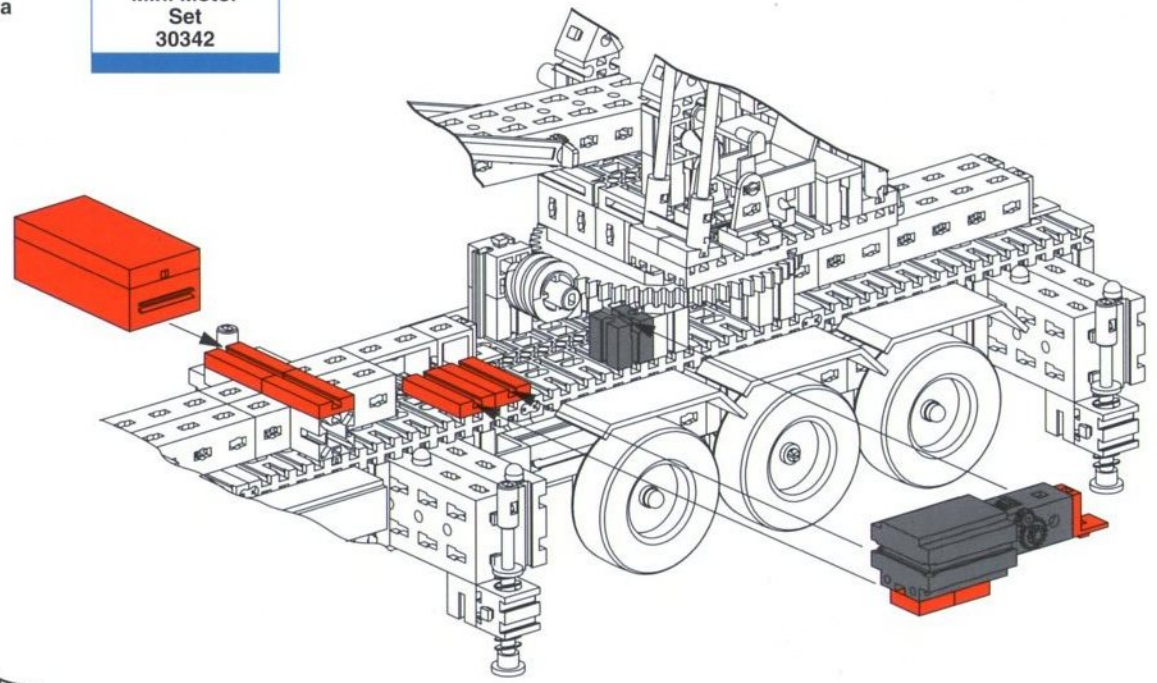
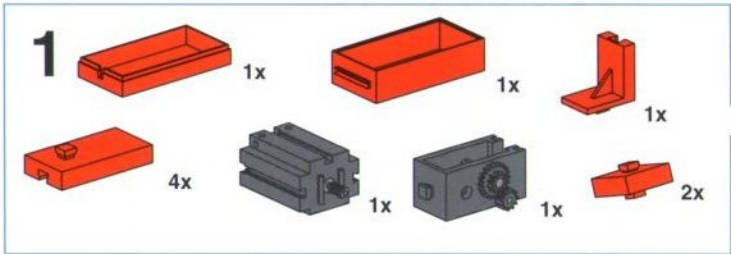
Blinklichter siehe Seite 10-13
Flashing lights see page 10-13
Feux clignotants voir page 10-13
Knipperlichten zie pagina 10-13
Luces intermitentes ver pág. 10-13
Luzes pisca-pisca vide página 10-13

Drehkranz
Slewing ring
Couronne d'orientation



Schamelstel
Corona giratoria
Coroa rotativa

Mini Motor
Set
30342



Ausleger und Kranhaken
Jib and crane hook
Flèche et crochet



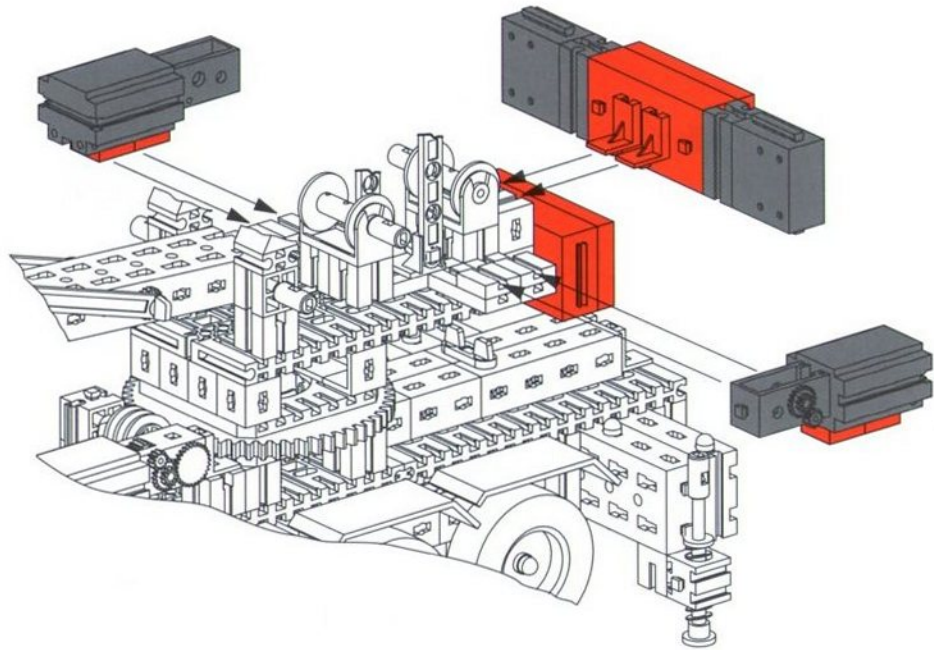
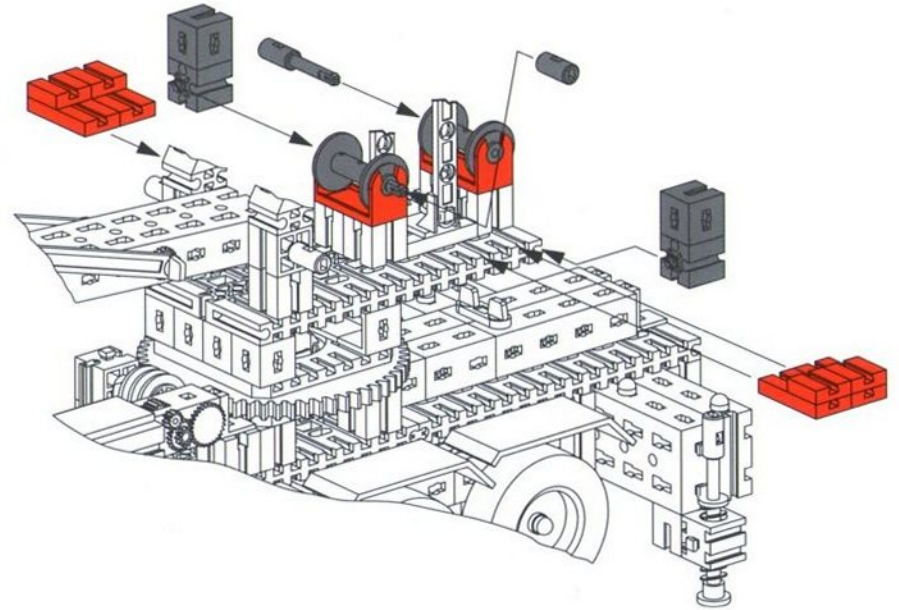
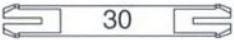
Hijssarm en kraanhaak
Pluma y gancho de grúa
Lança e gancho da grua

2x

Mini Motor
Set
30342

1


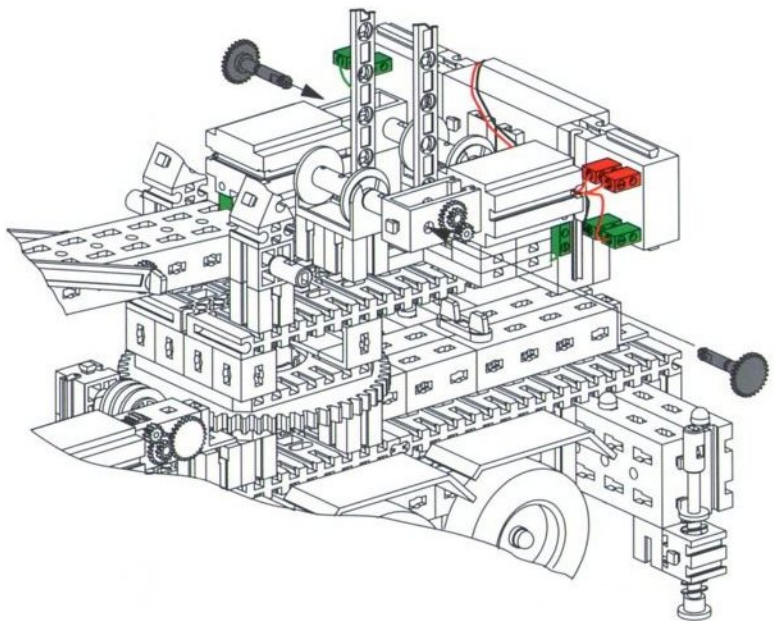
4x 4x 2x 2x 2x 2x 2x 2x



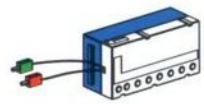
2

2x 2x 2x 2x 2x 4x 2x 2x

3
2x

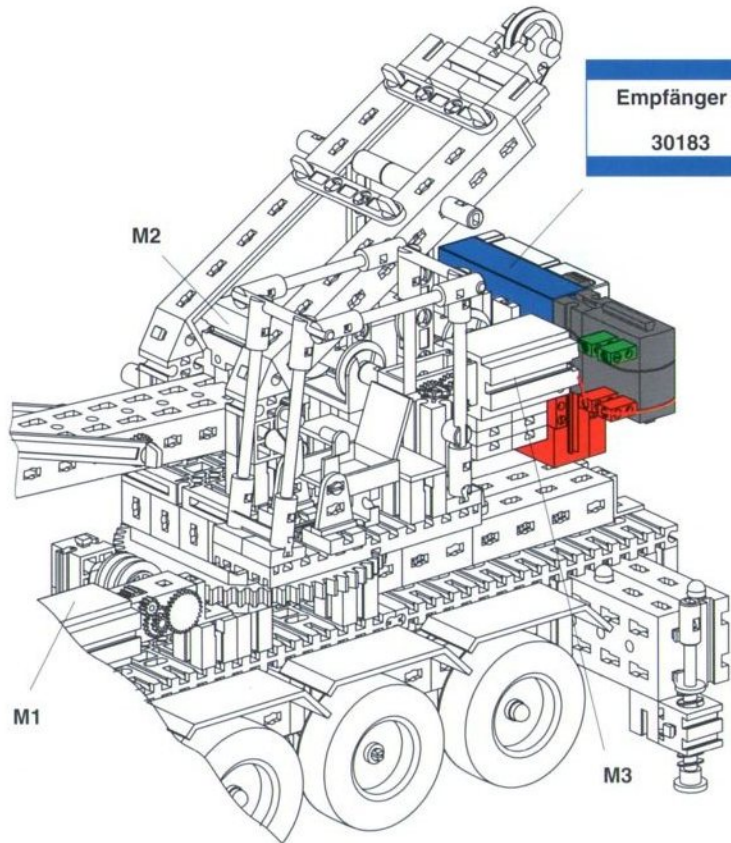
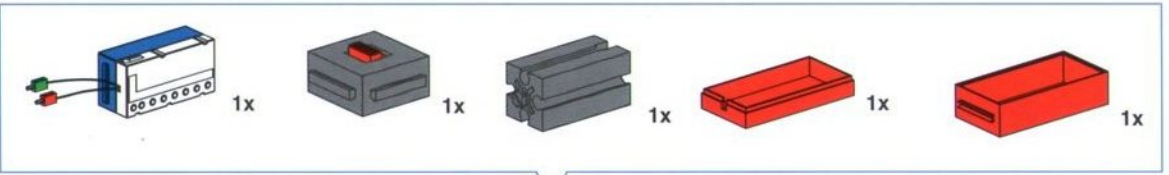



Fernsteuerung
Remote control
Télécommande



Afstandsbesturing
Mando a distancia
Telecomando

Empfänger 2
30183

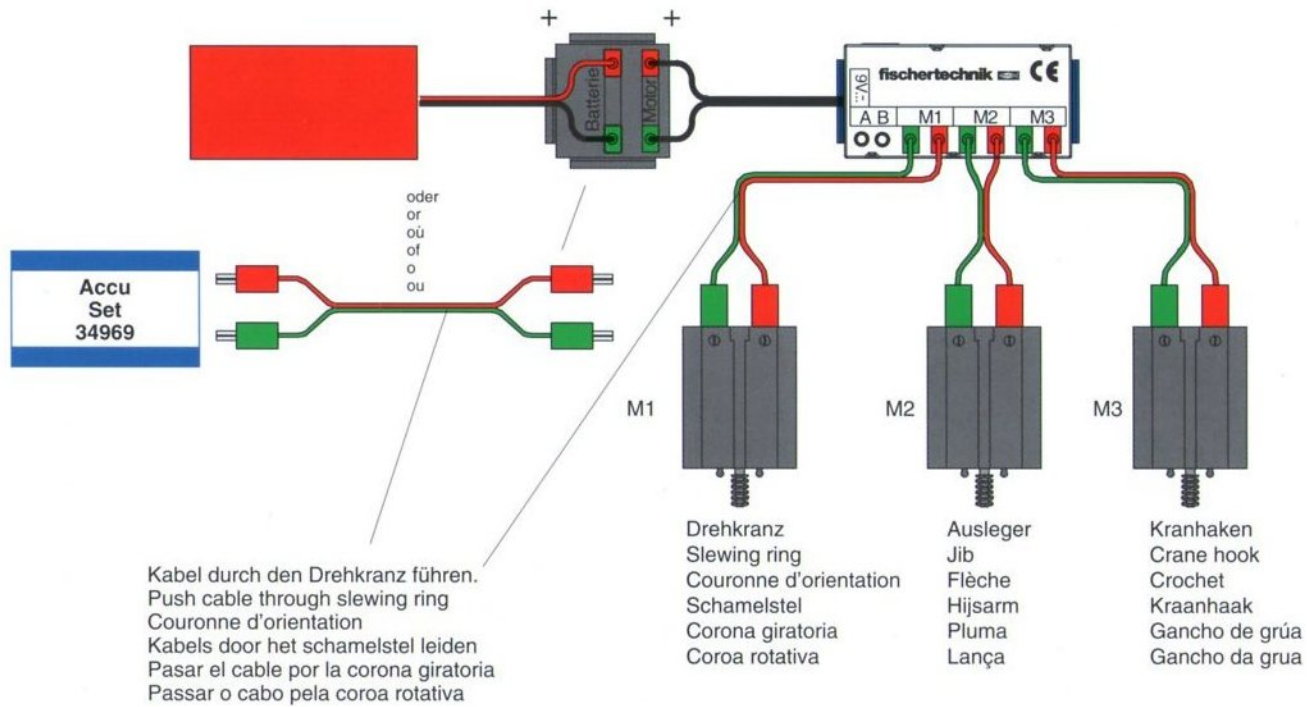


Empfänger 2
30183

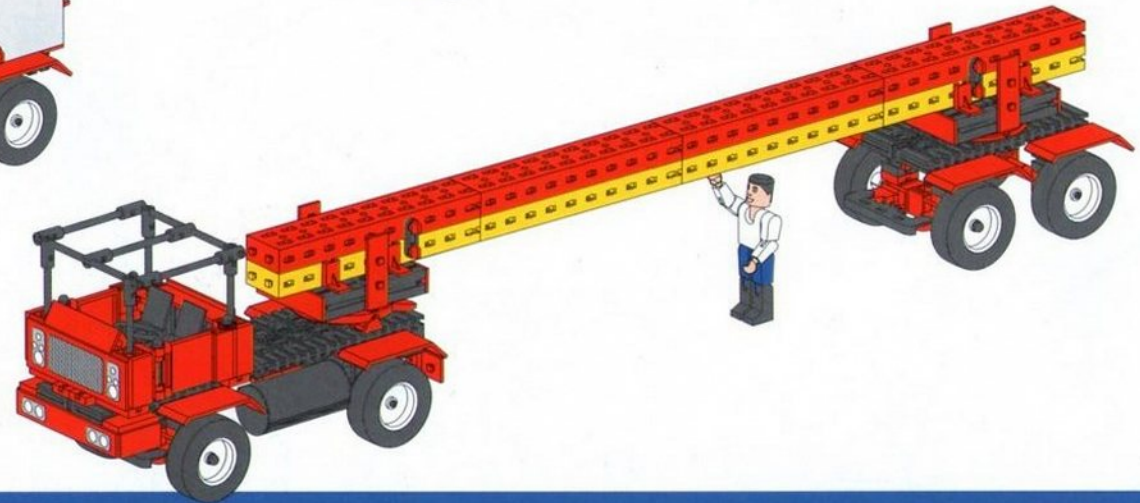
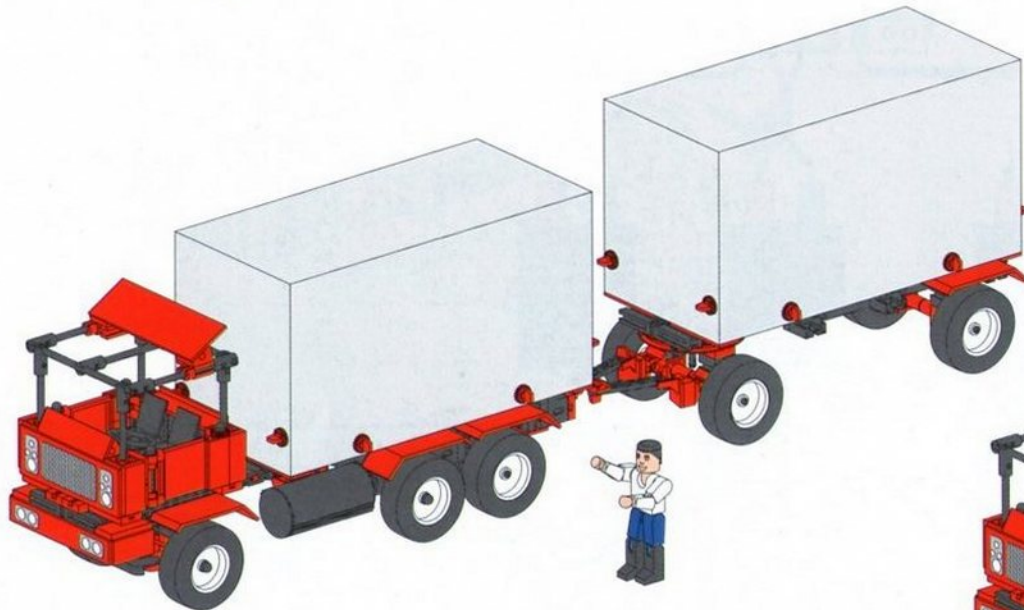
Batterie ist nicht Inhalt der Packung
Battery not included
Batterie non comprise
De batterij wordt niet meegeleverd
La batería no está incluida en el suministro
A bateria não é o conteúdo da embalagem

Schaltplan
Circuit diagram
Plan électrique

Schakelschema
Diagrama de circuitos
Plano elétrico de ligação



fischerwerke
Artur Fischer GmbH & Co. KG
D - 72178 Waldachtal
Telefon: (0 74 43) 12-43 69
E - Mail: info@fischertechnik.de
<http://www.fischertechnik.de>



fischertechnik® 