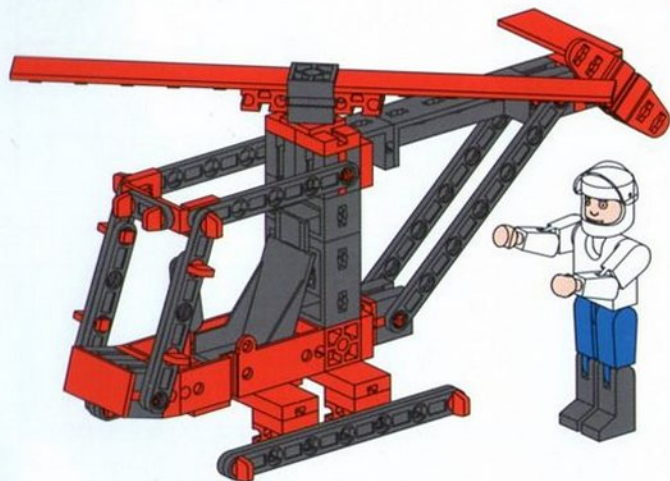
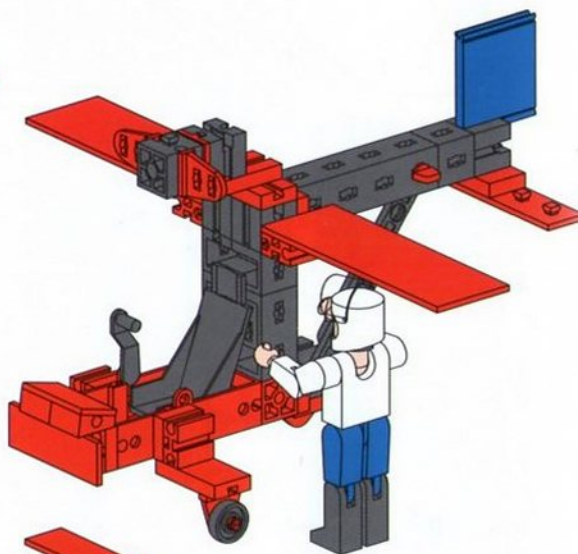
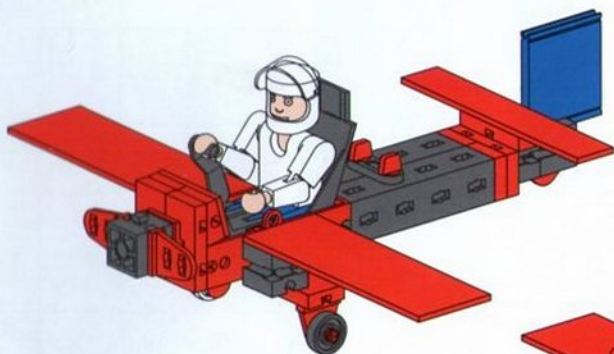


AIRCRAFT

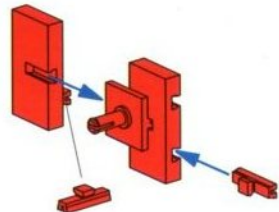
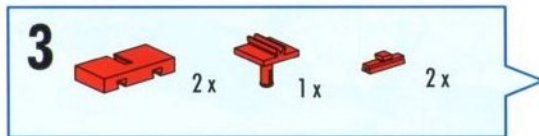
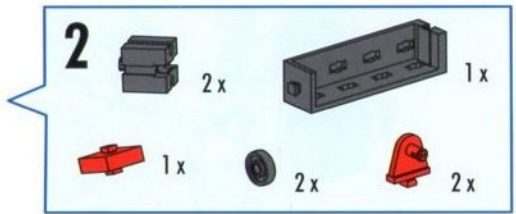
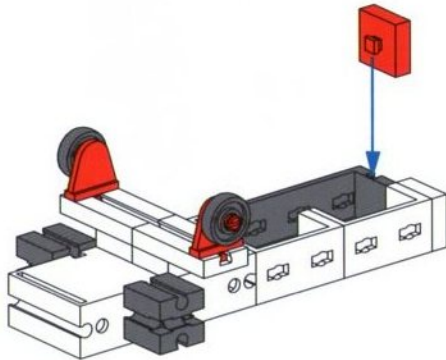
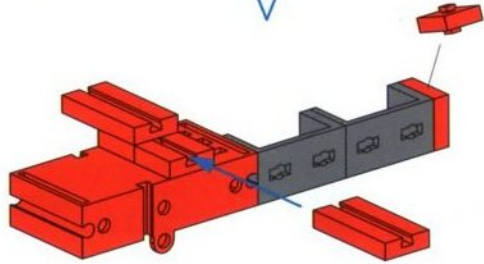
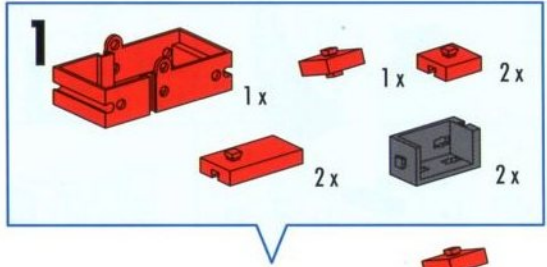
fischertechnik 

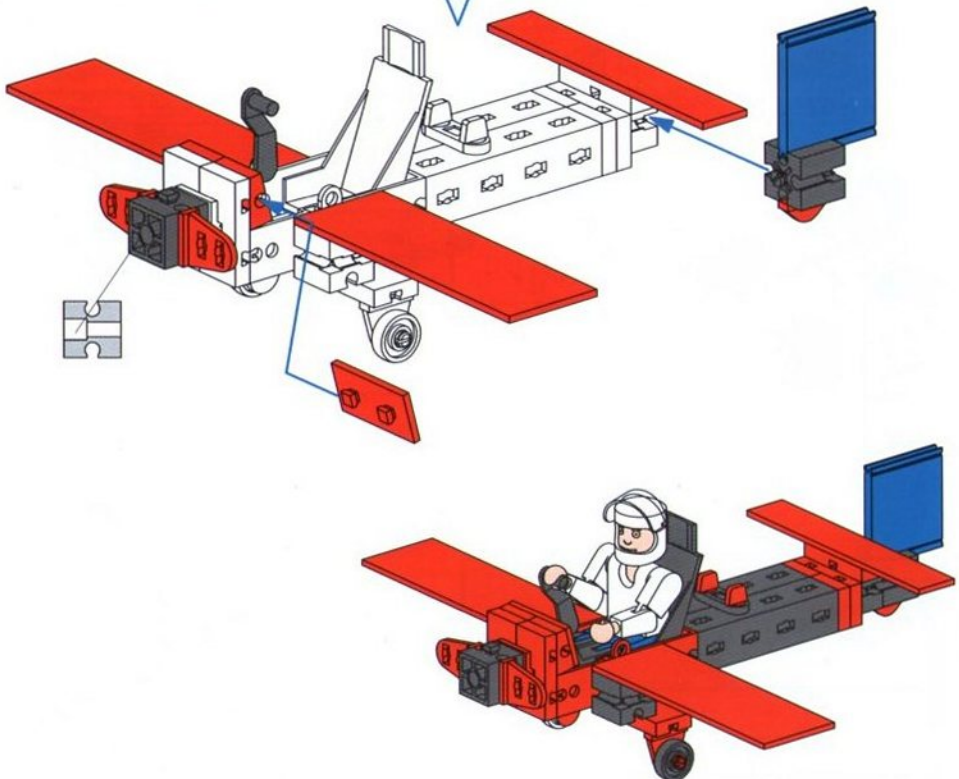
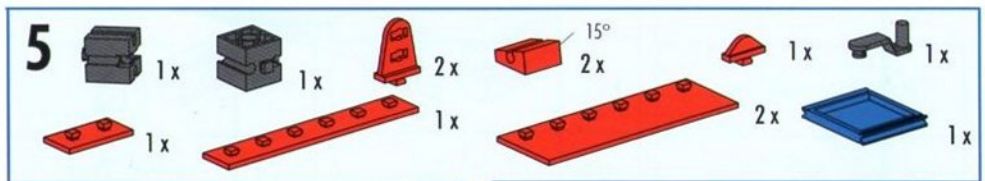
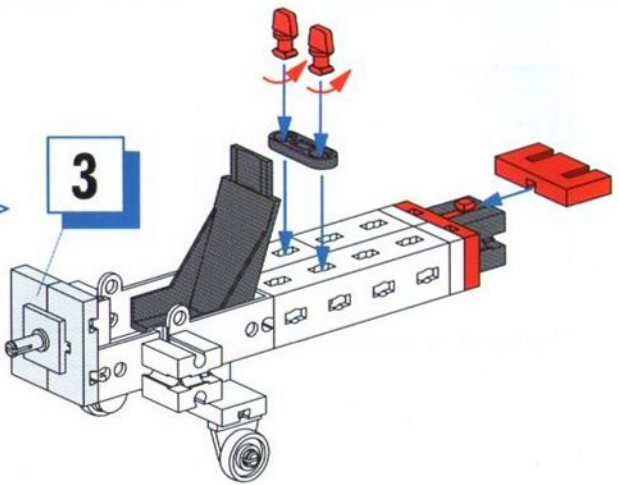
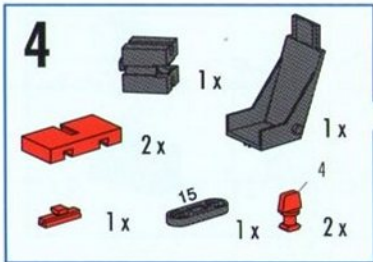
BASIC

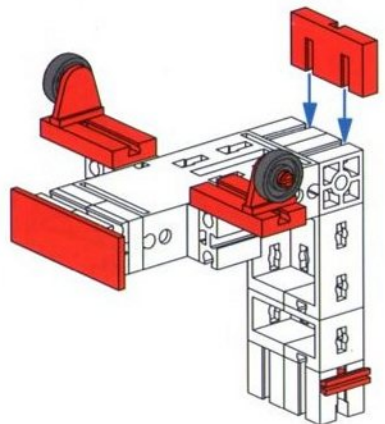
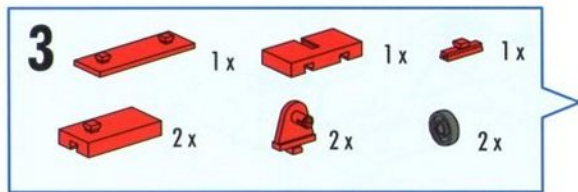
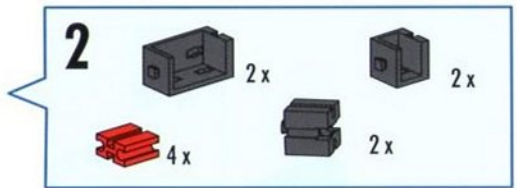
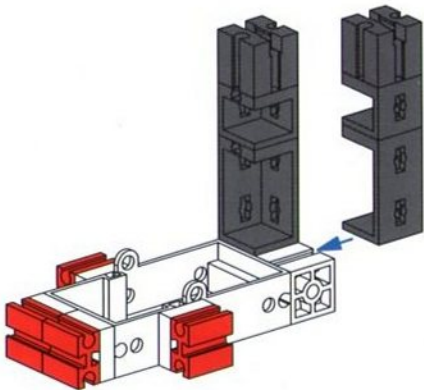
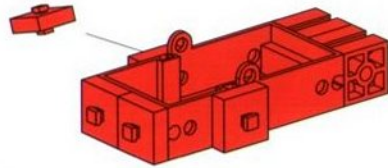
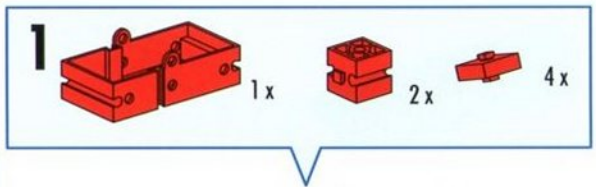


	31 124 2 x		32 881 6 x		36 922 3 x
	31 602 1 x		35 049 4 x		36 952 4 x
	31 670 2 x		35 668 2 x		37 237 3 x
	31 848 12 x		35 806 1 x		37 238 4 x
	31 905 1 x				37 468 8 x
	31 909 1 x		36 323 10 x		38 241 1 x
	31 978 1 x		36 324 2 x		38 242 1 x
	31 981 2 x		36 341 1 x		38 245 2 x
	31 982 5 x		36 573 2 x		38 251 2 x
	31 984 1 x		36 913 2 x		38 253 2 x
	31 994 1 x		36 914 1 x		38 428 4 x
	32 064 2 x		36 920 2 x		38 543 6 x
	32 321 2 x		36 921 1 x		

- Alle Einzelteile, insbesondere bewegliche Teile sind falls notwendig zu warten und zu reinigen.
- All components, especially moving parts, should be maintained and cleaned as necessary.
- Toutes les pièces détachées et en particulier les pièces mobiles, sont, si nécessaire, à entretenir et à nettoyer.
- Alle onderdelen, vooral de bewegende delen, kunnen, indien noodzakelijk, onderhouden en gereinigd worden.
- Es necesario limpiar y mantener en buen estado todas las diferentes piezas - especialmente las piezas móviles.
- Caso necessário, todas as peças individuais, especialmente peças móveis, tem que ser submetidas à manutenção ser limpadas.

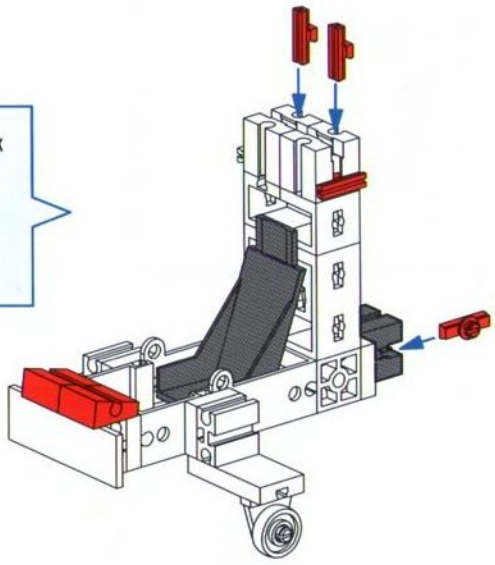






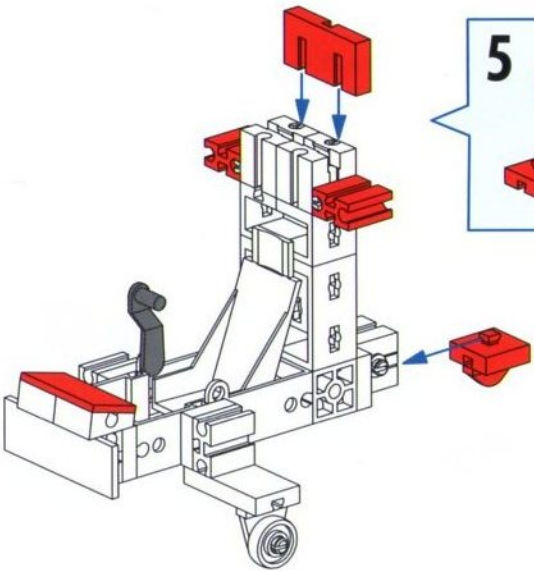
4

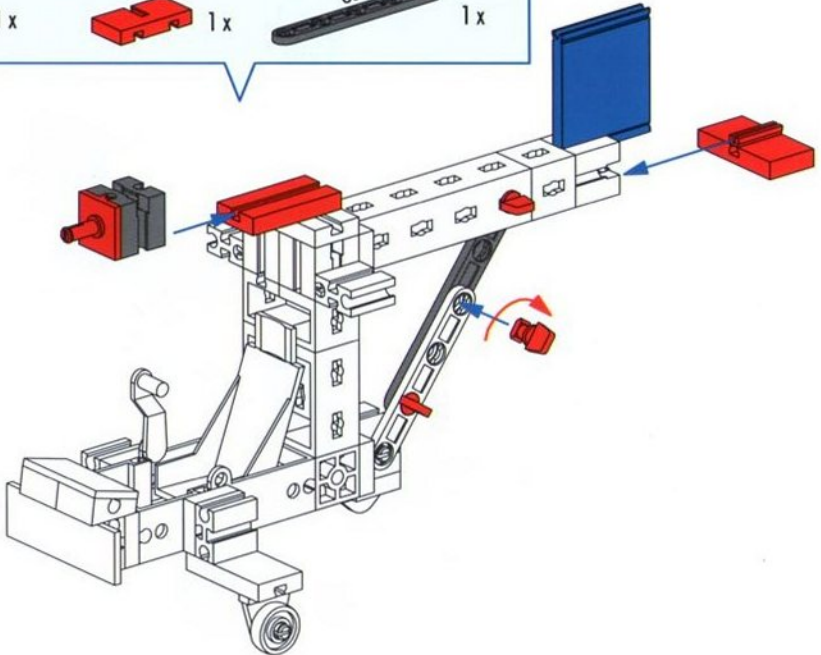
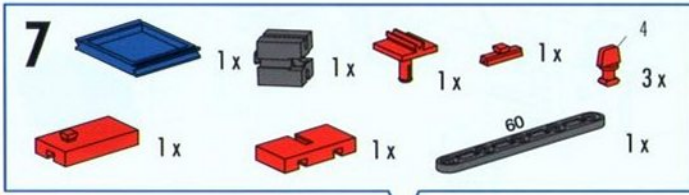
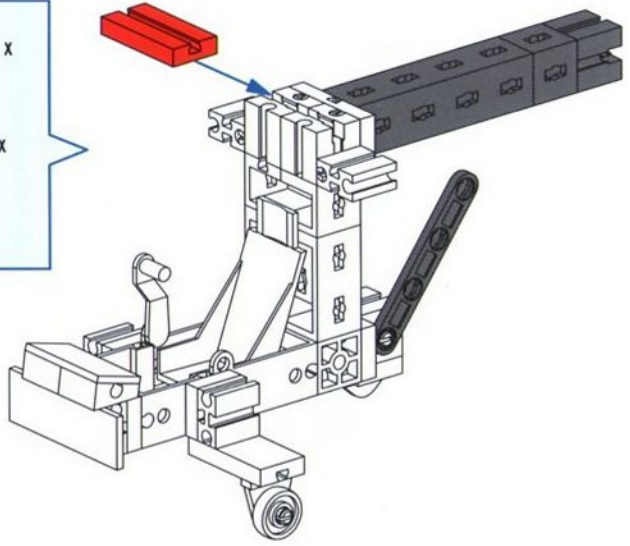
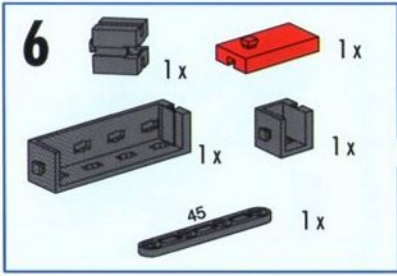
- 1x [grey seat-like piece]
- 1x [grey 2x1 Technic brick]
- 1x [red 1x2 Technic brick]
- 2x [red 1x2 Technic brick with 15° slope]
- 3x [red 1x2 Technic brick]



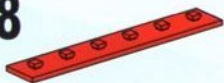
5

- 1x [red 1x2 Technic brick]
- 2x [red 1x2 Technic brick with hole]
- 1x [red 1x2 Technic brick with hole]
- 1x [red 1x2 Technic brick]
- 1x [red 1x2 Technic brick]
- 1x [grey 1x2 Technic brick]





8



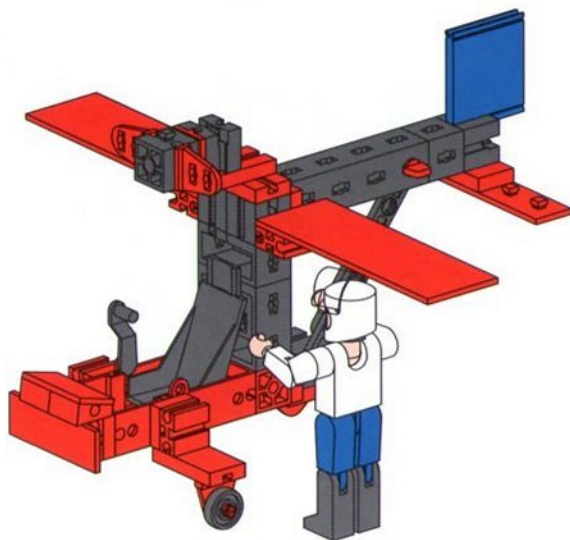
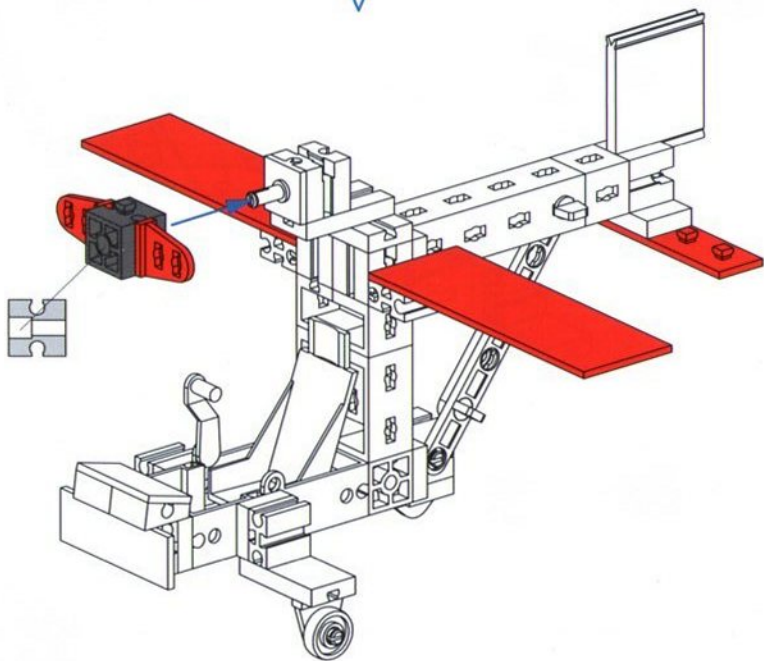
2x

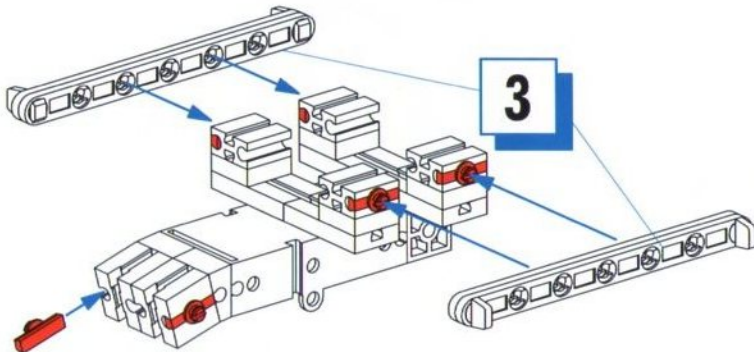
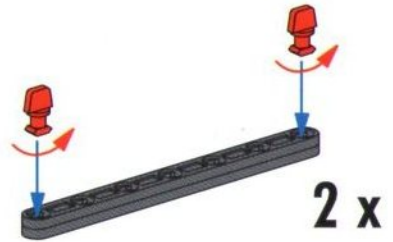
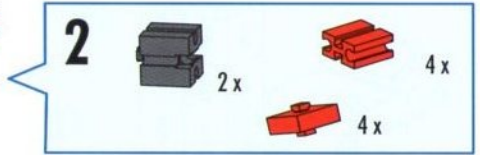
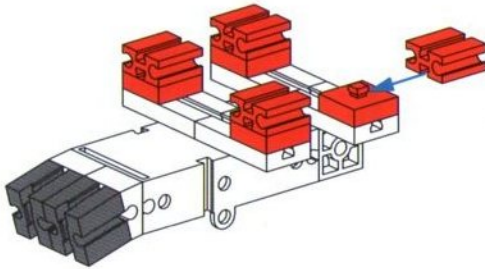
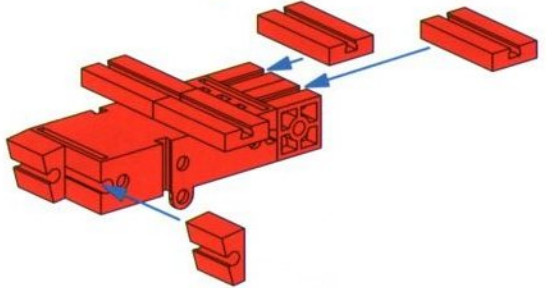
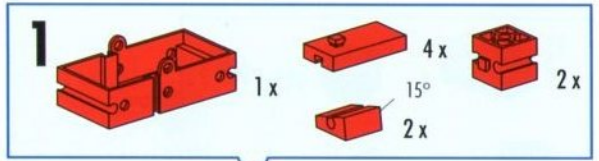


1x

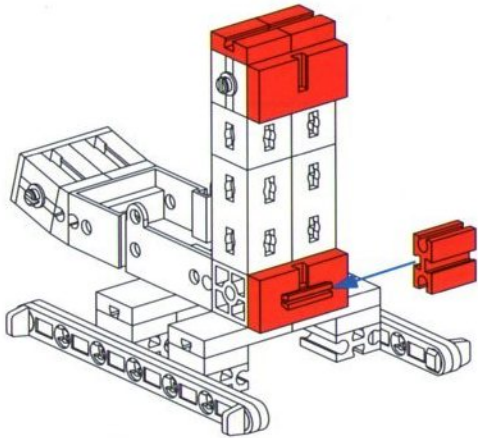
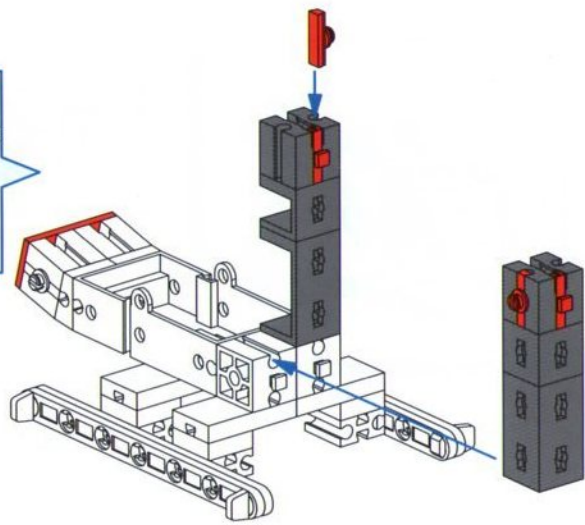


2x



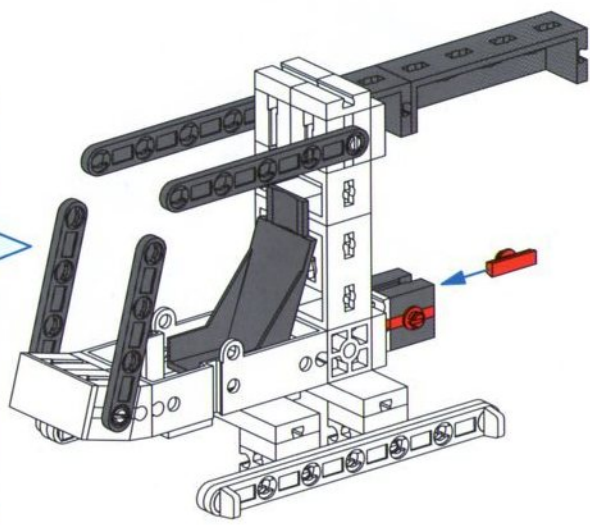


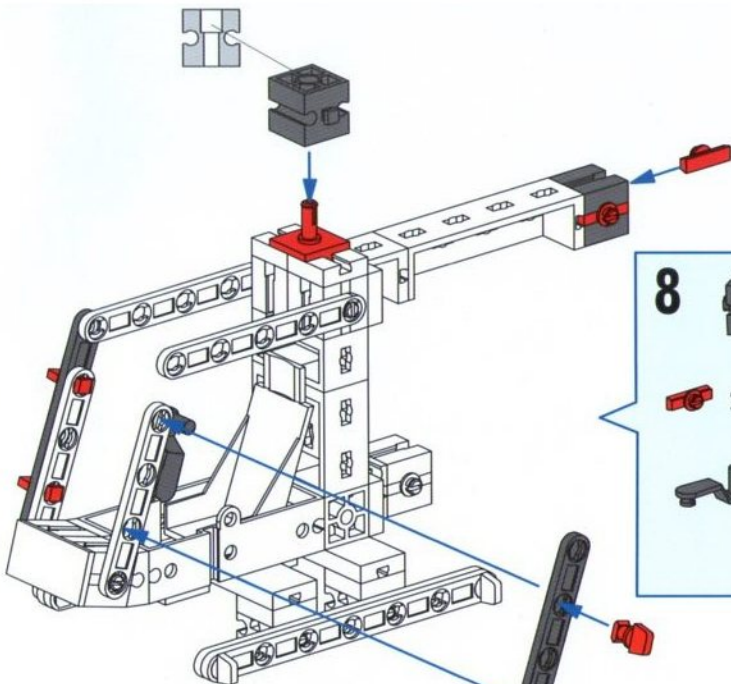
- 5**
- 2x [Grey 1x3 Technic Brick with Hole]
 - 2x [Grey 1x2 Technic Brick with Hole]
 - 2x [Red 1x2 Technic Pin]
 - 2x [Grey 1x2 Technic Pin]
 - 1x [Red 1x2 Technic Plate]
 - 2x [Red 1x2 Technic Pin]



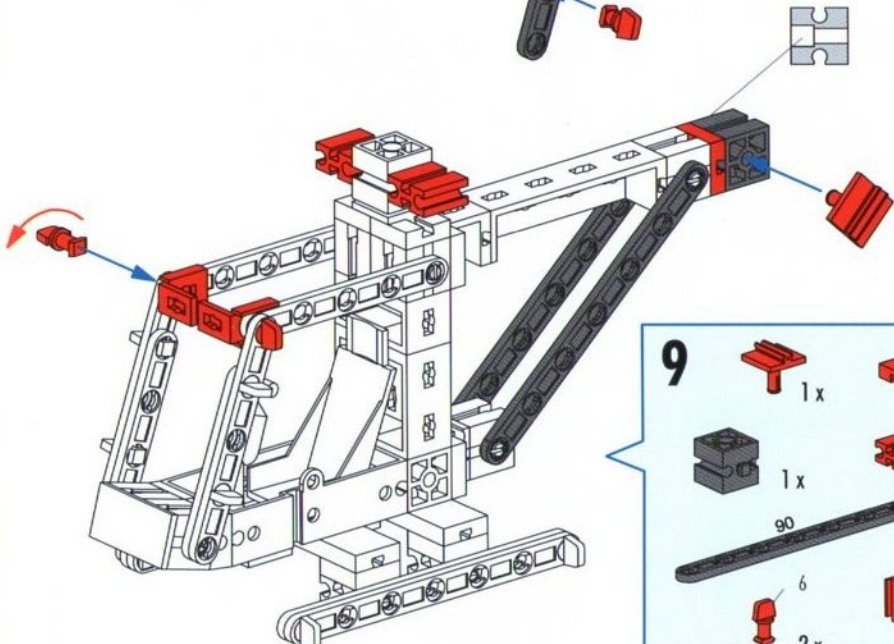
- 6**
- 2x [Red 1x3 Technic Pin]
 - 2x [Red 1x2 Technic Pin]
 - 1x [Red 1x2 Technic Pin]
 - 1x [Red 1x2 Technic Pin]

- 7**
- 1x [Grey 1x6 Technic Brick with Hole]
 - 1x [Grey 1x2 Technic Brick with Hole]
 - 2x [Red 1x2 Technic Pin]
 - 2x [Grey 1x2 Technic Pin]
 - 1x [Grey 1x2 Technic Pin]
 - 1x [Grey 1x2 Technic Pin]
 - 2x [Grey 60 Technic Axle]
 - 2x [Grey 45 Technic Axle]

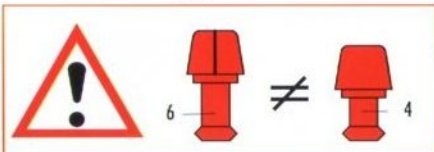




- 8**
- 1x Grey 2-way connector
 - 1x Grey 2-way connector
 - 2x Red pins
 - 4x Red pins
 - 4x Red pins
 - 1x Red T-shaped pin
 - 1x Grey L-shaped connector
 - 2x Grey Technic beam (length 60)



- 9**
- 1x Red T-shaped pin
 - 1x Red connector
 - 1x Grey 2-way connector
 - 2x Red connectors
 - 2x Grey Technic beam (length 90)
 - 2x Red pins
 - 2x Red L-shaped connectors



10



2x



1x



4

2x



1x



1x



2x

