



Bauanleitung  
Assembly instruction  
Instructions de montage  
Bouwhandleiding  
Instrucciones de construcción

Manual de montagem  
Istruzioni di montaggio  
Инструкция по сборке  
安装说明书

## PROFI Marble Competition

MODELS

# 3

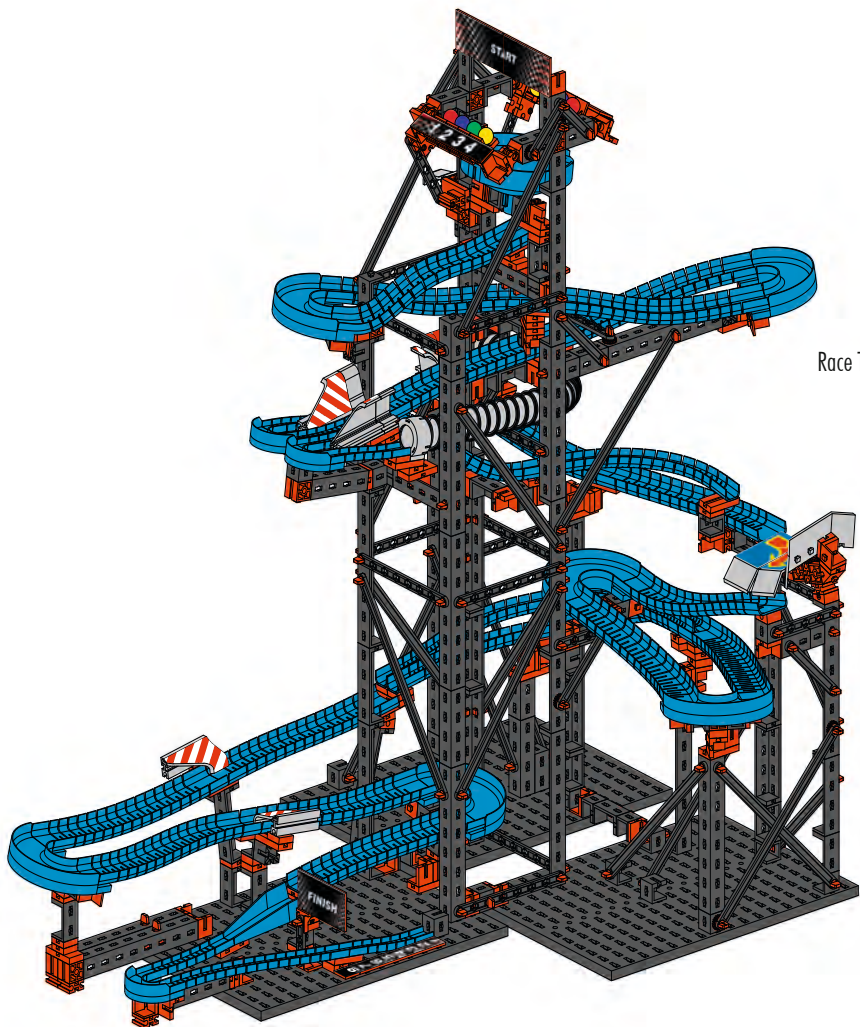
**Inhalt**  
**Contents**  
**Contenu**

Einzelteilübersicht / Spare parts list / Liste des pièces détachées / Onderdelenoverzicht / Lista da piezas / Resumo de peça individual /  
 Singoli componenti / Перечень деталей / 零件概览 ..... 2

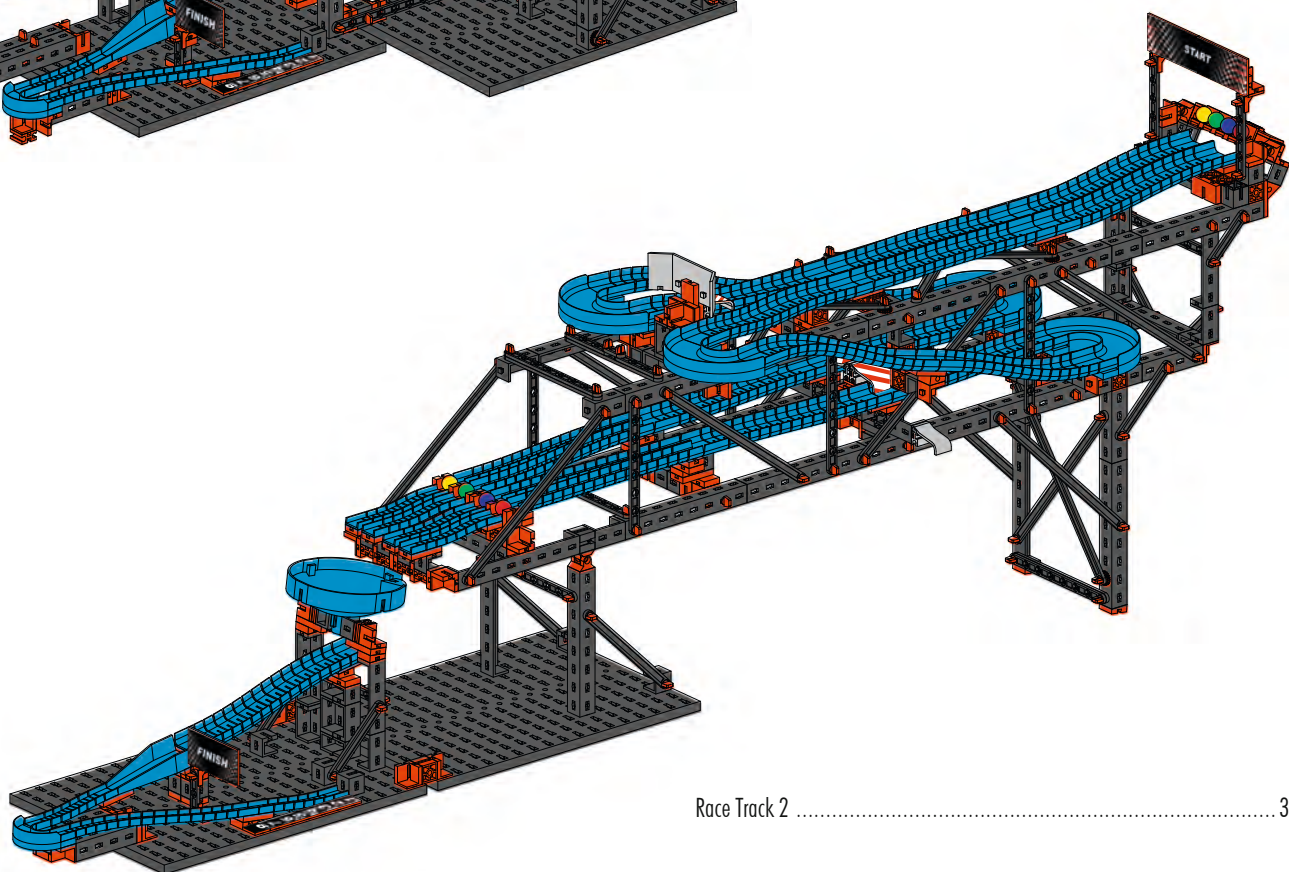
Montagetips / Tips for assembly / Tuyaux pour le montage / Montagetips / Consejos para el montaje / "Dicas" para montagem /  
 Consigli per il montaggio / Советы по сборке / 装配建议 ..... 3

**Inhoud**  
**Contenido**  
**Conteúdo**

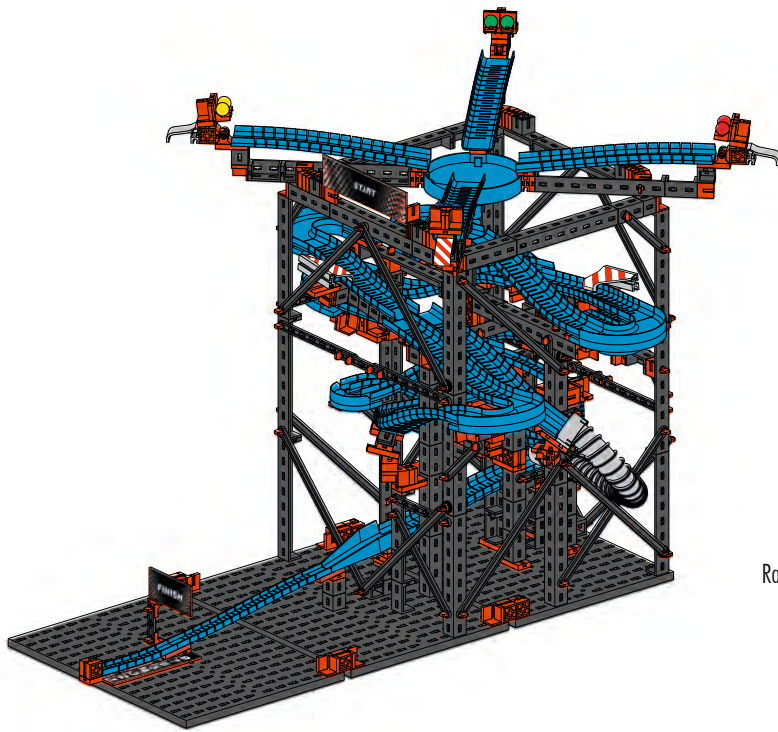
**Contenuto**  
**Содержание**  
**目录**



Race Track 1 ..... 5



Race Track 2 ..... 36



Race Track 3 ..... 55

Modell in Action! / Model in action! / Modèle en service! / Model in actie! / ¡El modelo en acción! / Modelo em ação! /  
Il modello in azione! / Модель в действии! / 模型制作演示! :

<https://www.fischertechnik.de/marblecompetition/tutorials>



- Werde Mitglied im kostenlosen fischertechnik Fan Club und nutze die Vorteile. Melde dich hierzu einfach unter [www.fischertechnik.de/FanClub](http://www.fischertechnik.de/FanClub) an.
- Become a member of the free fischertechnik fan club and take advantage of the benefits. Simply register at [www.fischertechnik.de/FanClub](http://www.fischertechnik.de/FanClub)
- Deviens membre du Fan club fischertechnik gratuit et profite de nombreux avantages. Il suffit de t'inscrire sur [www.fischertechnik.de/FanClub](http://www.fischertechnik.de/FanClub).
- Word lid van de gratis fischertechnik Fan Club en maak gebruik van de voordelen. Meldt u hiervoor aan op [www.fischertechnik.de/FanClub](http://www.fischertechnik.de/FanClub).
- Hazte miembro del club de aficionados gratuito de fischertechnik y disfruta de todas las ventajas. Regístrate en [www.fischertechnik.de/FanClub](http://www.fischertechnik.de/FanClub).
- Torne-se um membro do fã-clube gratuito da Fischertechnike aproveite-a. Basta registrar-se em [www.fischertechnik.de/FanClub](http://www.fischertechnik.de/FanClub).
- Diventa membro del fan club gratuito di fischertechnik e sfrutta tutti i vantaggi. Basta registrarsi a [www.fischertechnik.de/FanClub](http://www.fischertechnik.de/FanClub).
- Стань членом бесплатного фан-клуба fischertechnik и пользуйся преимуществами. Для этого просто зарегистрируйся по адресу [www.fischertechnik.de/FanClub](http://www.fischertechnik.de/FanClub).
- x免费加入慧鱼粉丝俱乐部 (fischertechnik Fan Club) 会员，即刻享受会员福利。只需前往 [www.fischertechnik.de/FanClub](http://www.fischertechnik.de/FanClub) 完成注册即可。

**Einzelteilübersicht**  
**Spare parts list**  
**Liste des pièces détachées**

**Onderdelenoverzicht**  
**Lista da piezas**  
**Resumo de peça individual**

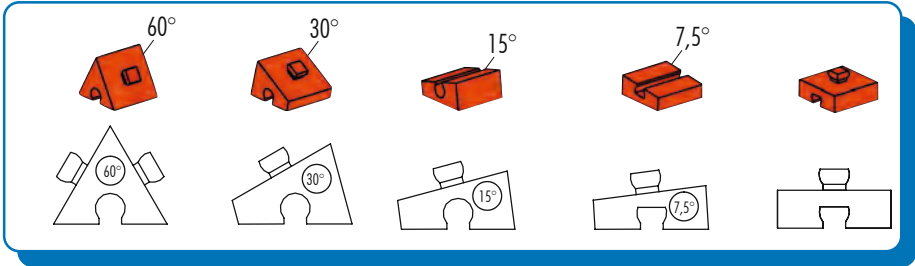
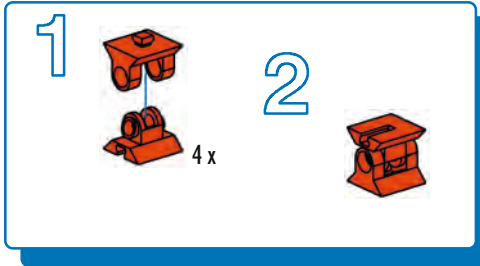
**Singoli componenti**  
**Перечень деталей**  
**零件概览**

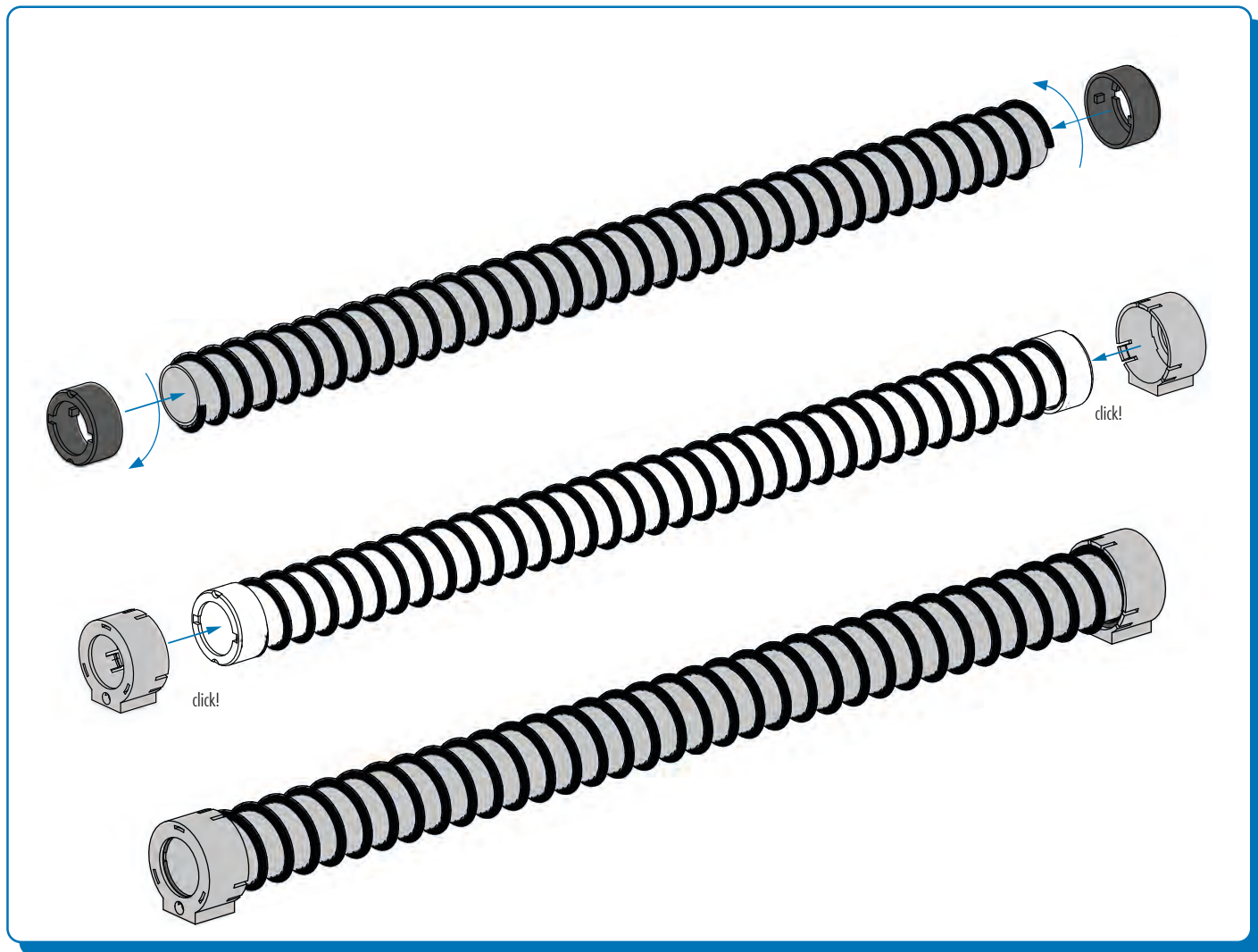
	19 316 4 x		35 057 2 x		36 973 16 x		165 793 1 x
	31 010 4 x		35 066 1 x		37 237 23 x		167 367 1 x
	31 011 6 x		35 073 2 x		37 238 2 x		167 369 2 x
	31 426 4 x		36 293 25 x		37 468 20 x		173 572 3 x
	31 436 4 x		36 323 95 x		37 636 2 x		176 775 14 x
	31 674 10 x		36 324 18 x		38 240 67 x		176 779 2 x
	31 690 4 x		36 334 9 x		38 245 3 x		180 928 3 x
	31 981 7 x		36 370 5 x		38 246 1 x		190 637 6 x
	31 982 36 x		36 912 1 x		38 249 3 x		190 638 15 x
	32 064 24 x		36 913 2 x		38 428 19 x		191 390 6 x
	32 071 33 x		36 914 3 x		119 753 17 x		192 732 1 x
	32 330 2 x		36 920 31 x		121 641 1 x		193 067 2 x
	32 850 6 x		36 921 16 x		161 691 6 x		193 068 2 x
	32 879 2 x		36 922 40 x		163 436 4 x		193 069 2 x
	32 881 2 x		36 923 1 x		163 437 2 x		193 070 2 x
	32 985 3 x		36 950 7 x		163 438 5 x		165 792 1 x
	35 049 37 x		36 952 3 x		165 792 1 x	Erfinder Flexprofil 121 641 + Wechselweiche 165 792 Design und Konzeption Andreas Lehrberger	

**Montagetipps**  
**Tips for assembly**  
**Tuyaux pour le montage**

**Montagetips**  
**Consejos para el montaje**  
**"Dicas" para montagem**

**Consigli per il montaggio**  
**Советы по сборке**  
**装配建议**





### Sicherheitshinweise

### Safety Information

### Consignes de sécurité

- Alle Einzelteile, insbesondere bewegliche Teile sind falls notwendig zu warten und zu reinigen.
- All components, especially moving parts, should be maintained and cleaned as necessary.
- Toutes les pièces détachées et en particulier les pièces mobiles, sont, si nécessaire, à entretenir et à nettoyer.
- Alle onderdelen, vooral de bewegende delen, kunnen, indien noodzakelijk, onderhouden en gereinigd worden.
- Es necesario limpiar y mantener en buen estado todas las diferentes piezas - especialmente las piezas móviles.

### Veiligheidsrichtlijnen

### Indicaciones de seguridad

### Observações sobre segurança

- Caso necessário, todas as peças individuais, especialmente peças móveis, tem que ser submetidas à manutenção e ser limpadas.
- Se necessario, tutti i singoli componenti, soprattutto le parti mobili, si devono eventualmente sottoporre a manutenzione e pulizia.
- Все детали, особенно подвижные, требуют ухода и чистки.
- 必要时应保养和清洁所有零件，尤指运动部件。

### Informazioni per la sicurezza

### Указания по технике безопасности

### 安全指南



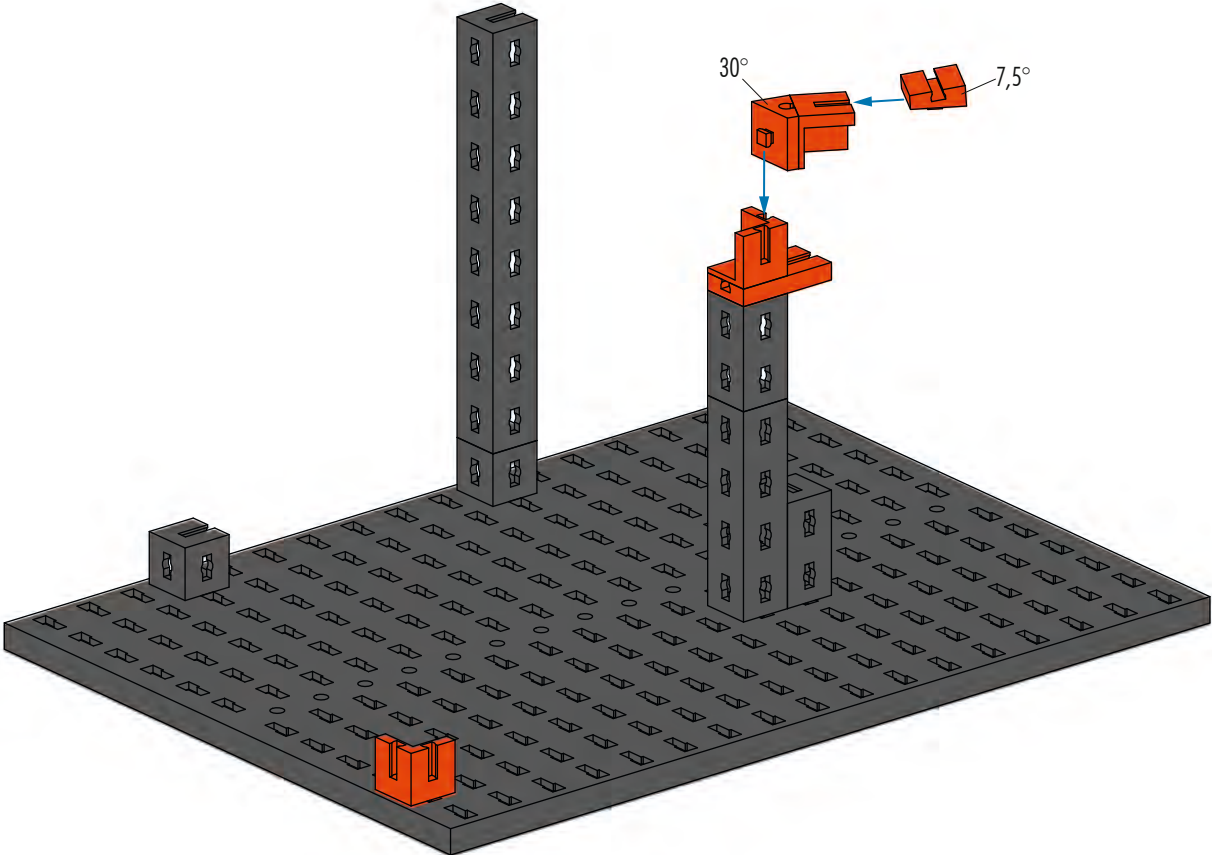
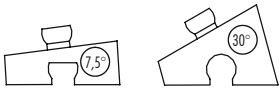
- Achtung: Erstickungsgefahr durch kleine Kugel und verschluckbare Kleinteile!
- Warning: risk of suffocation due to small balls and parts that can be swallowed!
- Attention : risque d'étouffement avec des petites billes et des petites pièces pouvant être avalées !
- Waarschuwing: verstikkingsgevaar door kleine kogeltjes en inslikbare kleine delen!
- Advertència: iriesgo de asfíxia con las bolas y piezas pequeñas que pueden ingerirse!
- Advertência: perigo de asfíxia devido a esferas pequenas e peças pequenas que podem ser engolidas!
- Avviso: pericolo di soffocamento a causa delle piccole sfere e dei piccoli pezzi ingoiabili!
- Внимание: Опасность удушения маленьким шариком и маленькими деталями!
- 警告：可能誤吞的小球和小零件有造成窒息的危險！

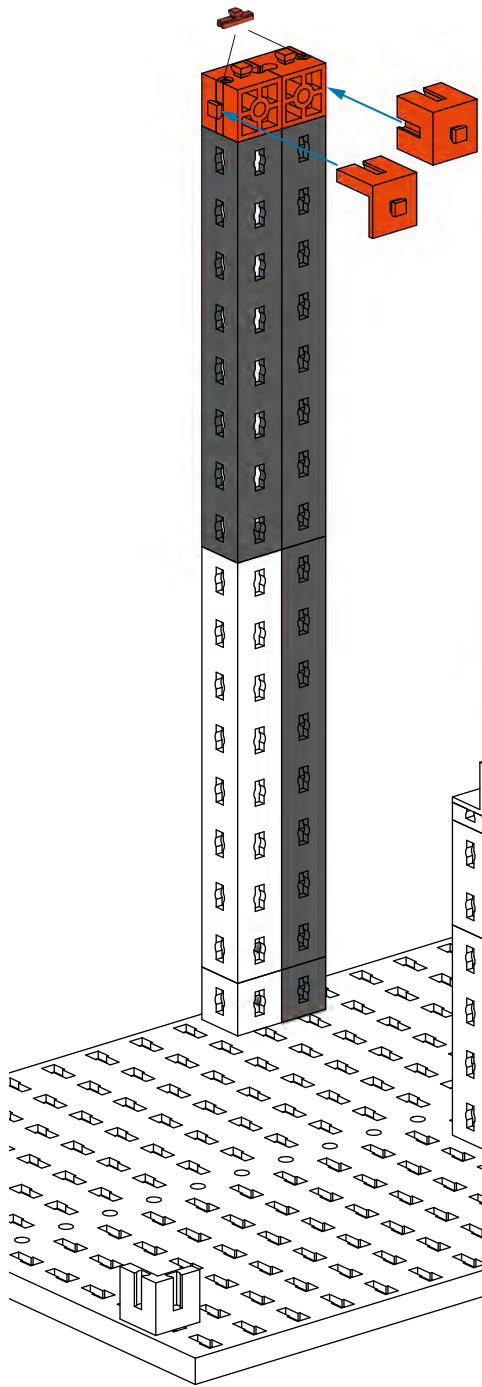
# Race Track 1



**1**

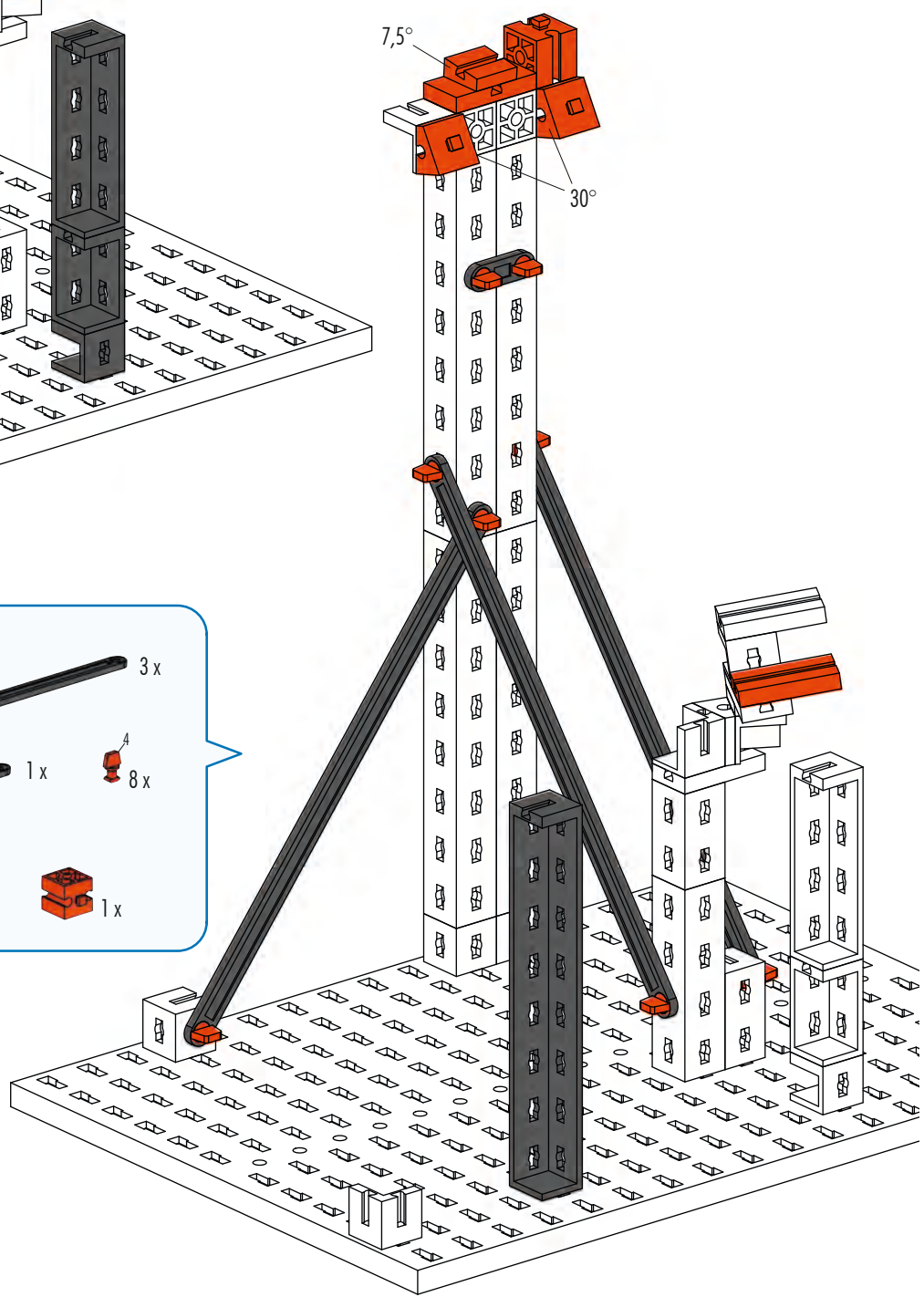
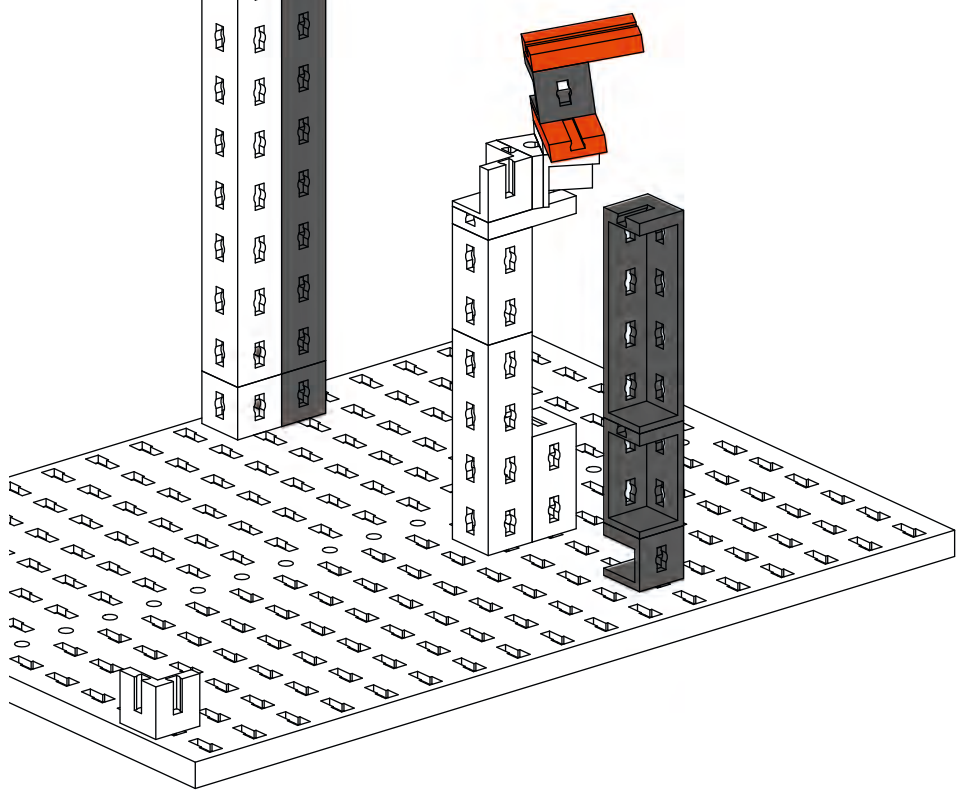
- 1 x 16x11 dark grey Technic plate
- 2 x 1x2 dark grey Technic bush
- 1 x 1x6 dark grey Technic axle
- 1 x 1x4 dark grey Technic axle
- 2 x 1x2 dark grey Technic bush
- 1 x 1x2 orange Technic bush
- 3 x 1x2 orange Technic bush
- 1 x 1x2 orange Technic bush (7.5°)
- 1 x 1x2 orange Technic bush (30°)





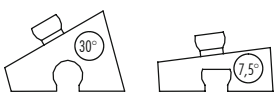
**2**

- 3x 1x6 grey Technic beam
- 1x 1x2 grey Technic beam
- 1x 1x2 grey Technic beam
- 2x 1x2 red Technic brick
- 2x 1x2 red Technic brick
- 2x 1x2 red Technic brick
- 3x 1x2 grey Technic beam
- 2x 1x2 red Technic brick

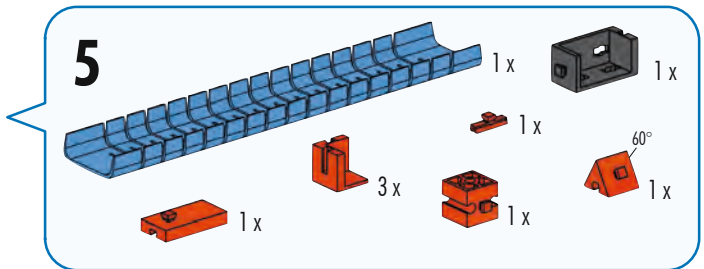
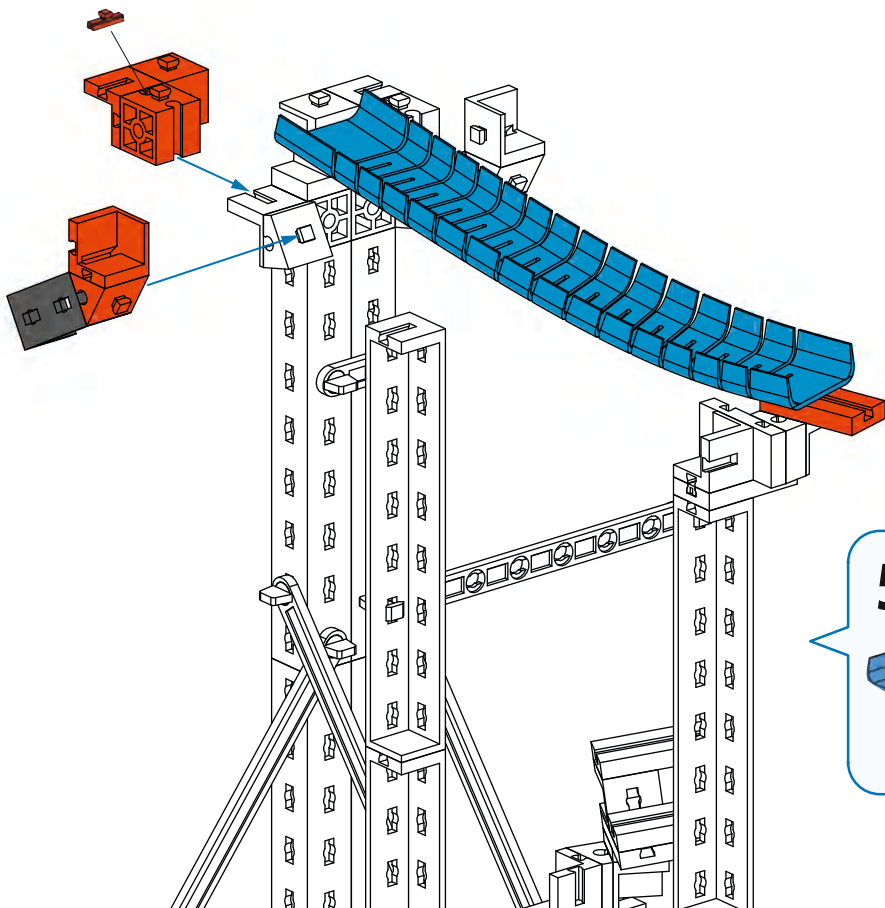
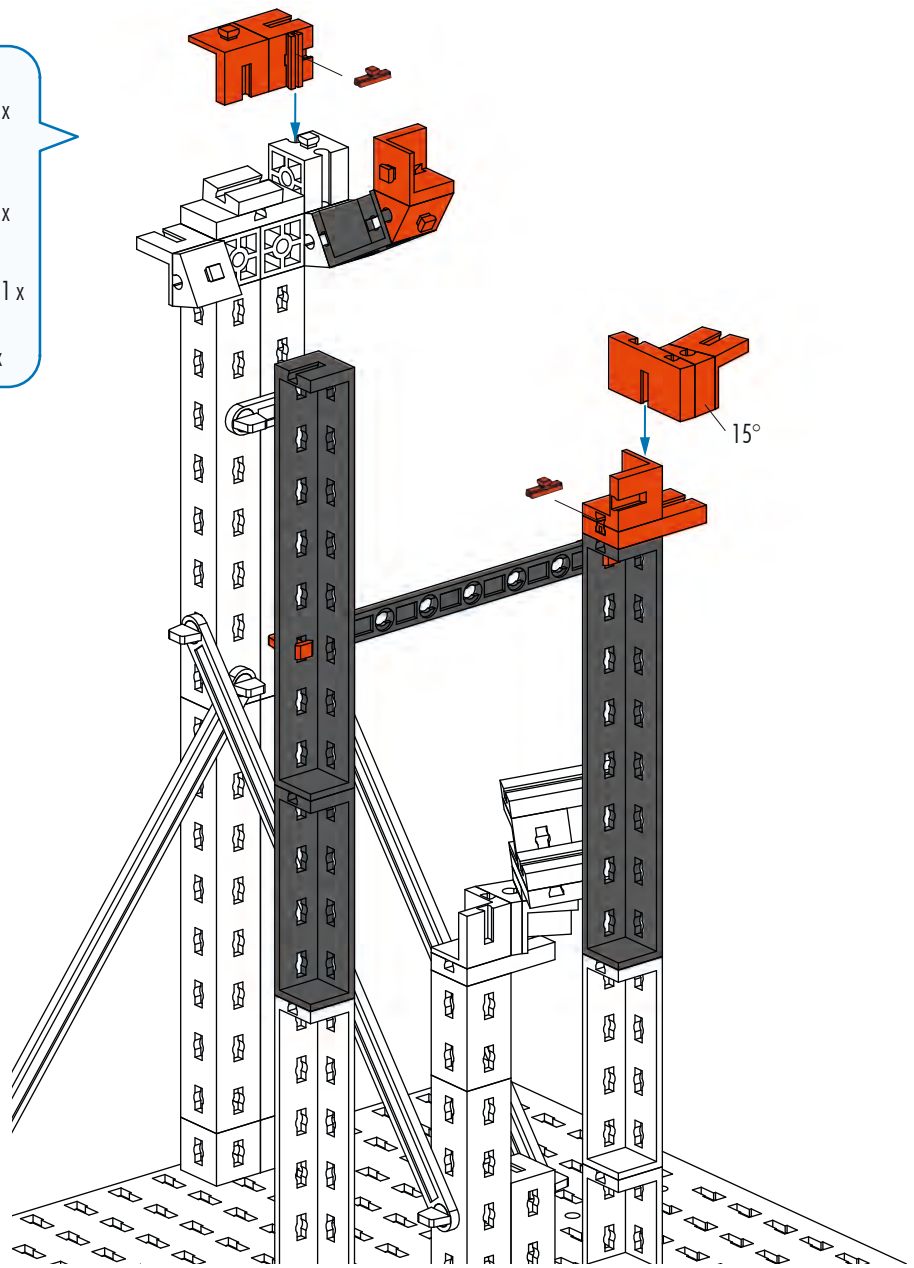
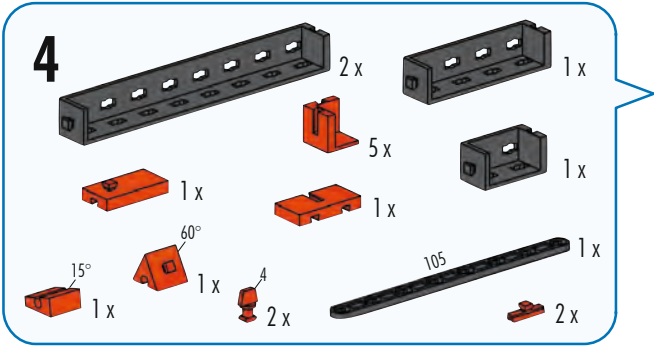


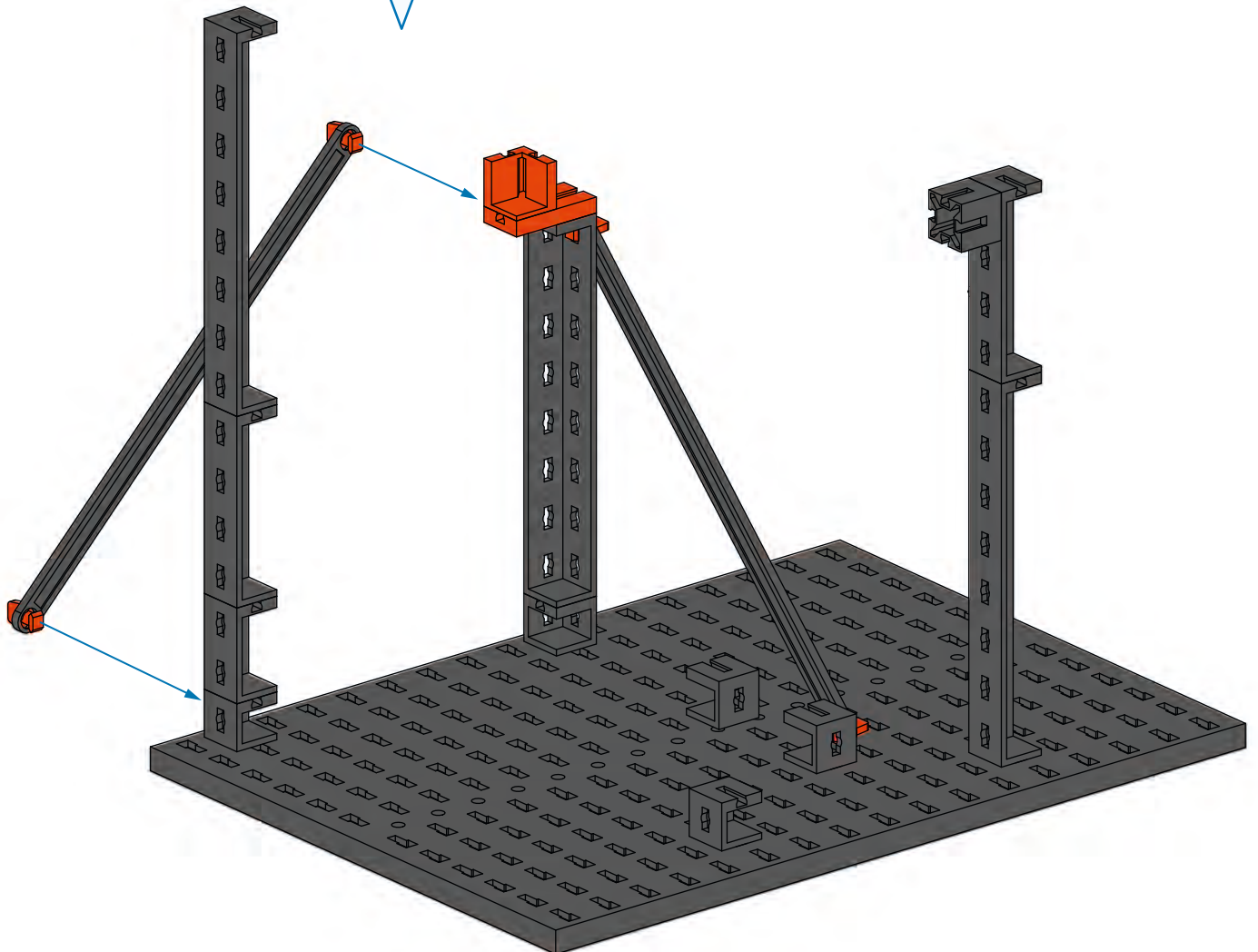
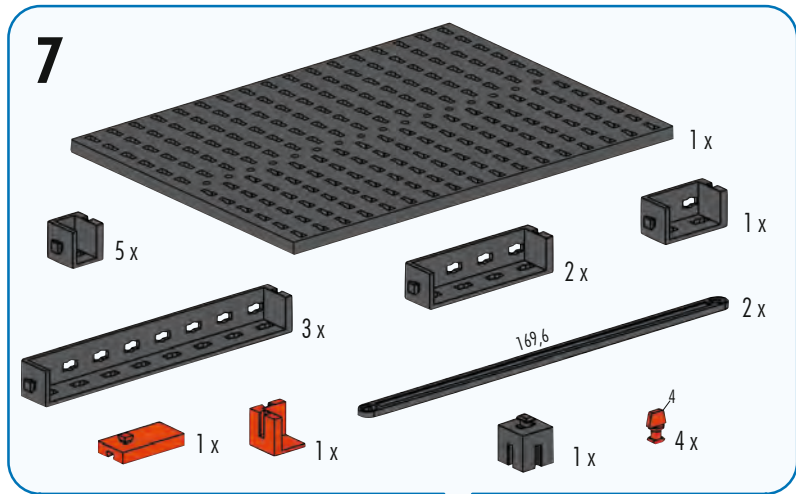
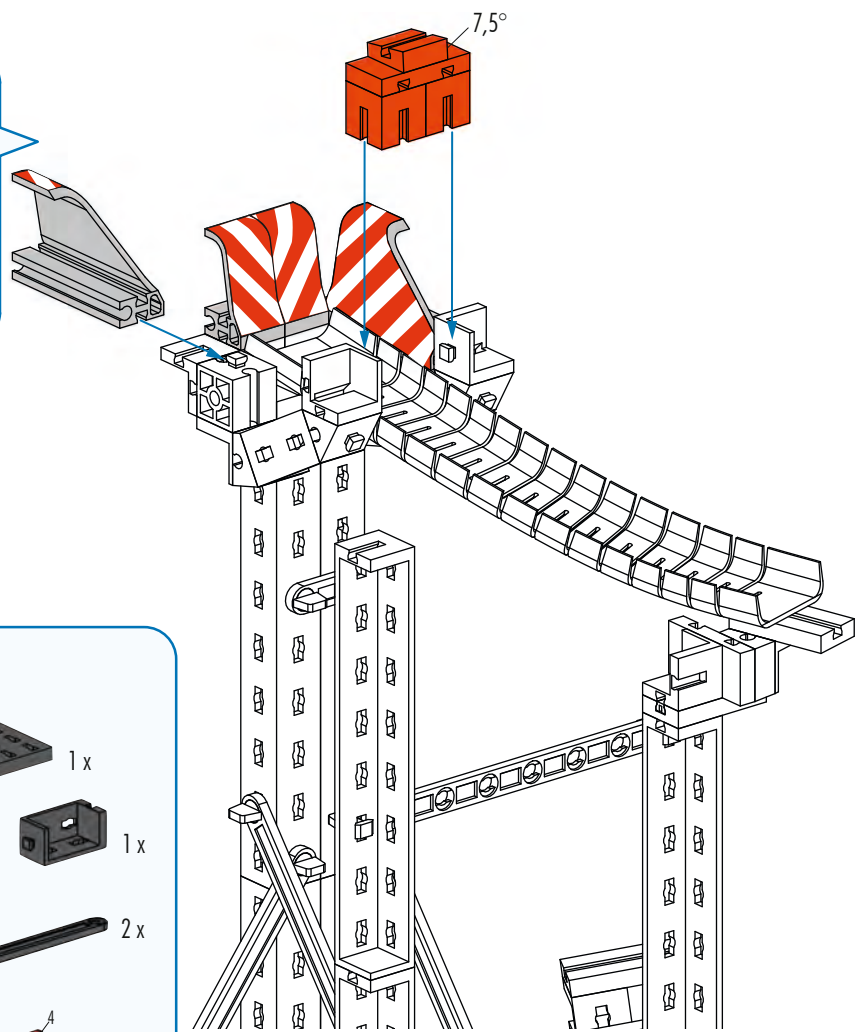
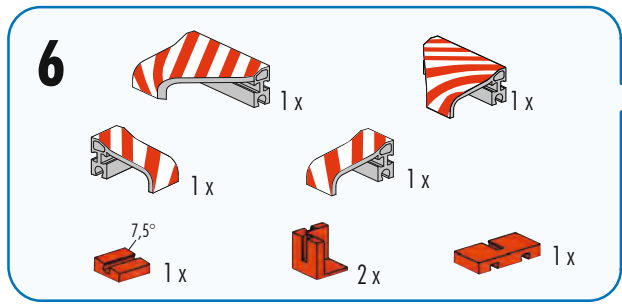
**3**

- 1x 1x6 grey Technic beam
- 3x 169.6 grey Technic axle
- 1x 15 grey Technic axle
- 8x 4 red Technic pins
- 1x 1x2 red Technic brick
- 1x 1x2 red Technic brick
- 2x 30° red Technic axle connector
- 1x 7.5° red Technic axle connector
- 1x 1x2 red Technic brick



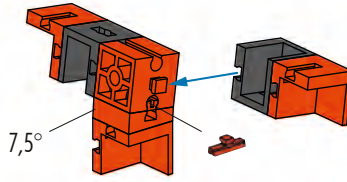






8

- 2 x [Grey Technic Connector]
- 1 x [Red Technic Connector]
- 3 x [Red Technic Connector]
- 1 x [Red Technic Connector, 7.5°]
- 1 x [Red Technic Connector]

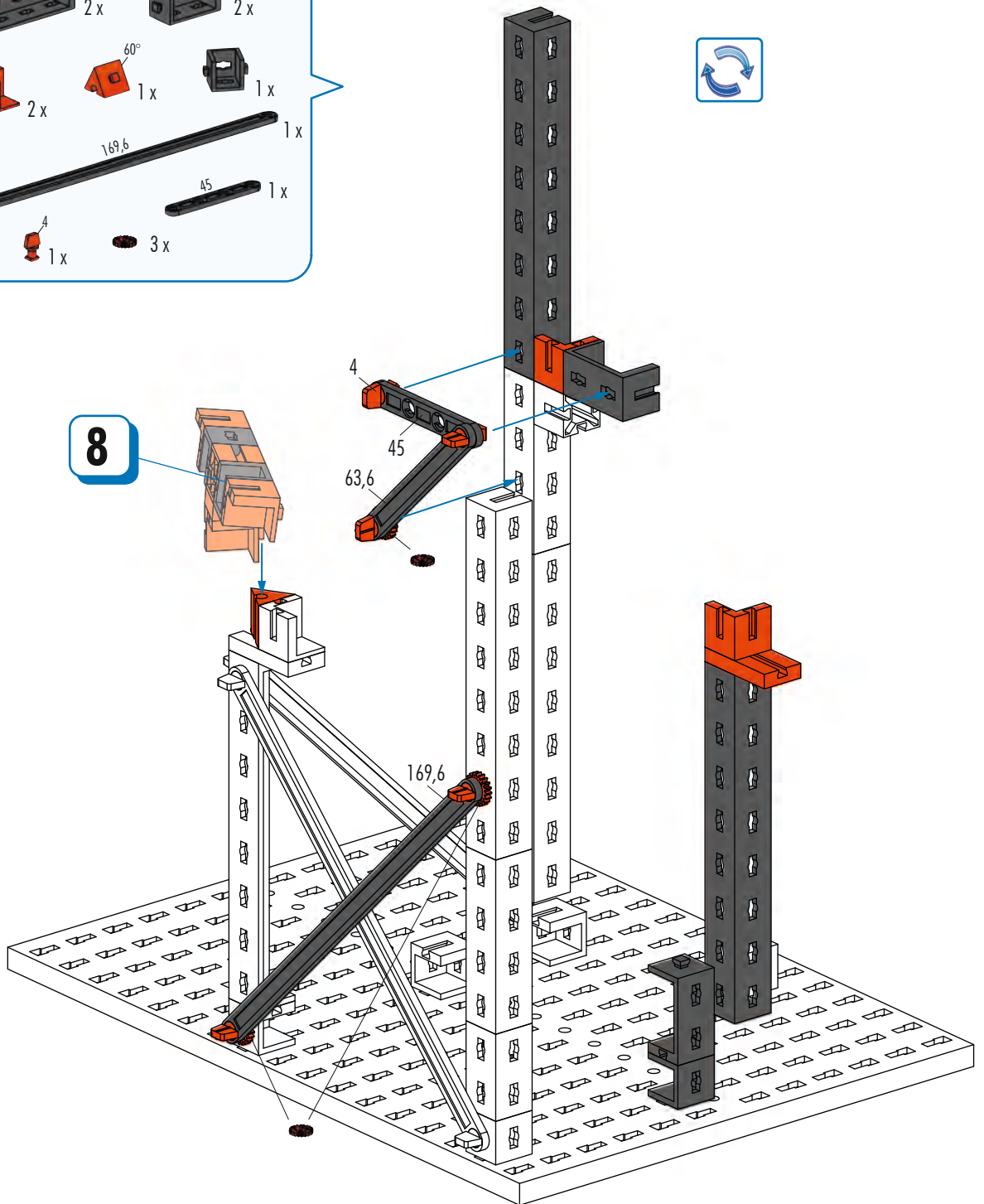


9

- 2 x [Grey Technic Beam, 11 holes]
- 2 x [Grey Technic Connector]
- 1 x [Red Technic Connector]
- 2 x [Red Technic Connector]
- 1 x [Red Technic Connector, 60°]
- 1 x [Grey Technic Connector]
- 1 x [Grey Technic Beam, 63.6]
- 1 x [Grey Technic Beam, 169.6]
- 1 x [Grey Technic Beam, 45]
- 4 x [Red Technic Pin, 6]
- 1 x [Red Technic Pin, 4]
- 3 x [Black Technic Pin]

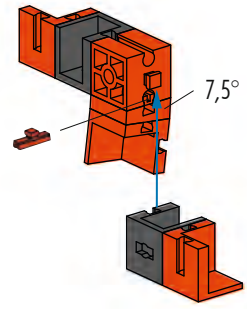
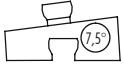


8



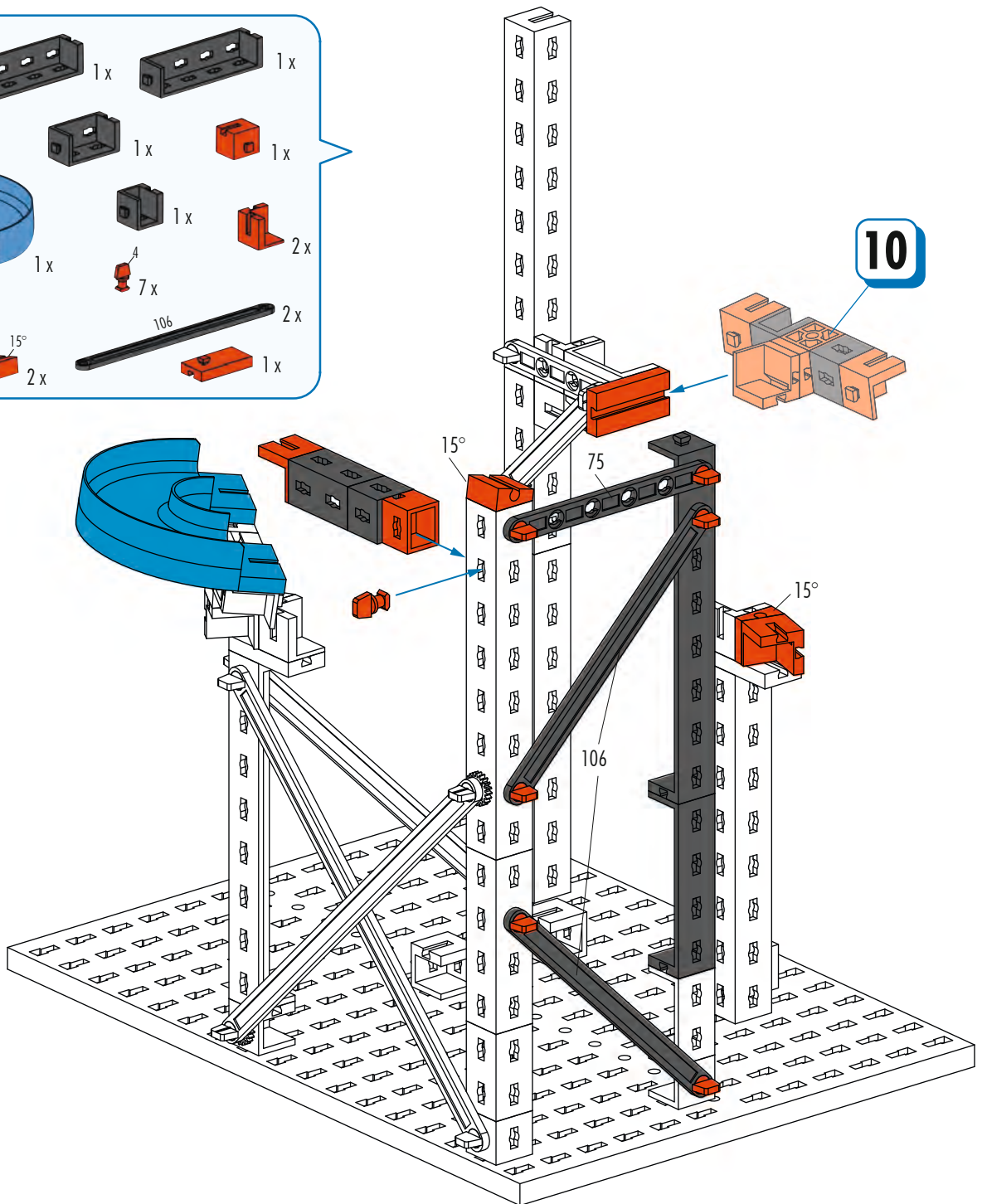
**10**

- 1x (red 2-way connector)
- 2x (grey 2-way connector)
- 3x (red 1-way connector)
- 1x (red 1-way connector with 7.5° angle)
- 1x (red 1-way connector)



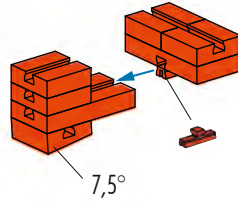
**11**

- 1x (grey 7-hole Technic beam)
- 1x (grey 3-hole Technic beam)
- 1x (grey 2-way connector)
- 1x (red 2-way connector)
- 1x (blue curved Technic part)
- 1x (grey 2-way connector)
- 1x (red 1-way connector)
- 1x (red 1-way connector)
- 2x (red 1-way connector)
- 7x (red pins)
- 1x (black 75-hole Technic beam)
- 2x (black 106-hole Technic beam)
- 2x (red 1-way connector with 15° angle)
- 1x (red 1-way connector)



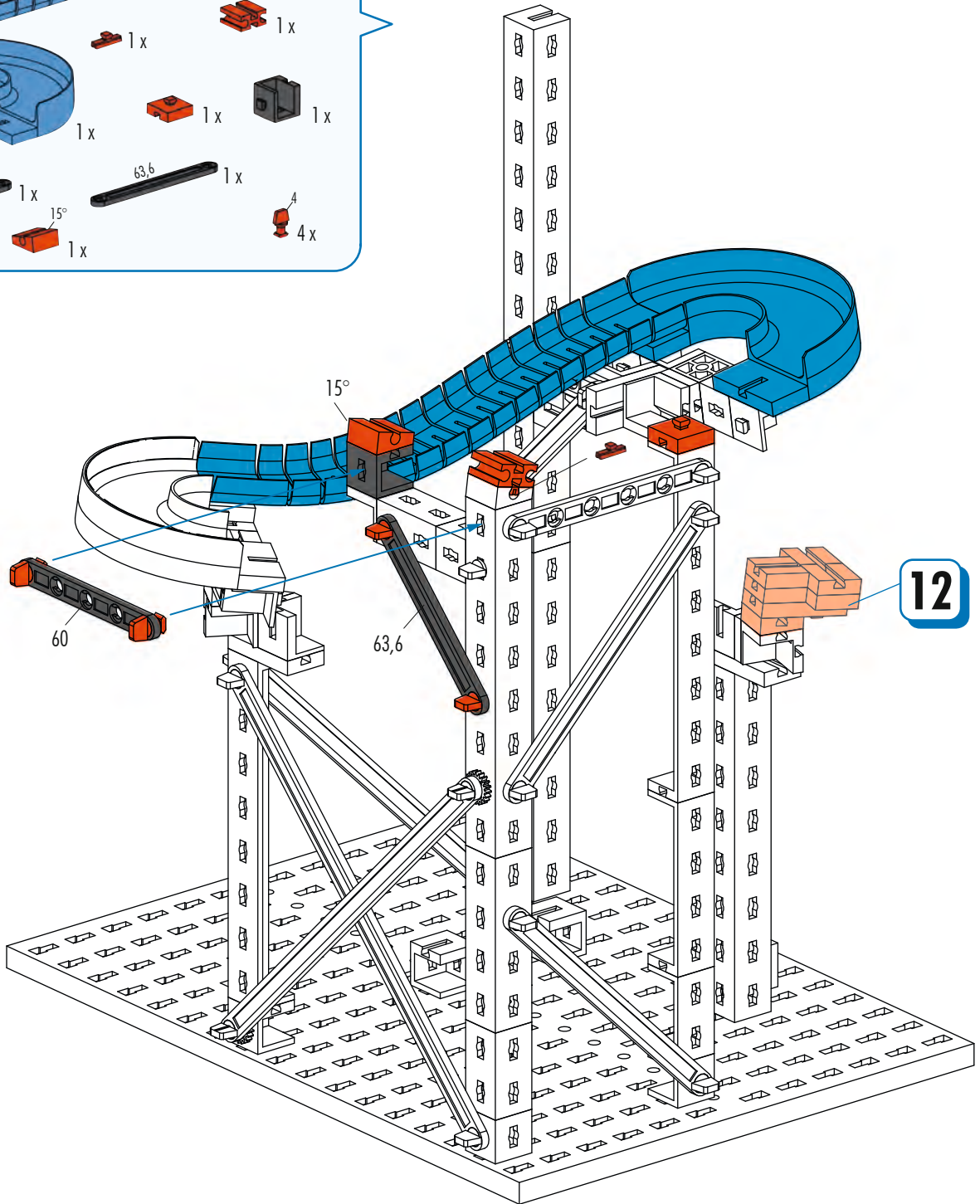
**12**

- 1 x [red 1x3 Technic brick with hole]
- 1 x [red 1x3 Technic brick with hole]
- 1 x [red 1x2 Technic brick with hole]
- 1 x [red 1x2 Technic brick with hole]
- 4 x [red 1x2 Technic brick with hole]



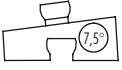
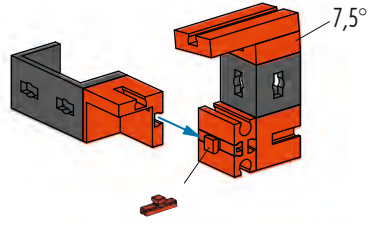
**13**

- 1 x [blue 1x12 curved Technic beam]
- 1 x [blue 1x3 curved Technic beam]
- 1 x [red 1x2 Technic brick with hole]
- 1 x [red 1x2 Technic brick with hole]
- 1 x [red 1x2 Technic brick with hole]
- 1 x [grey 1x2 Technic brick with hole]
- 1 x [black 60 Technic axle]
- 1 x [black 63.6 Technic axle]
- 1 x [red 1x2 Technic brick with hole]
- 4 x [red 1x2 Technic brick with hole]



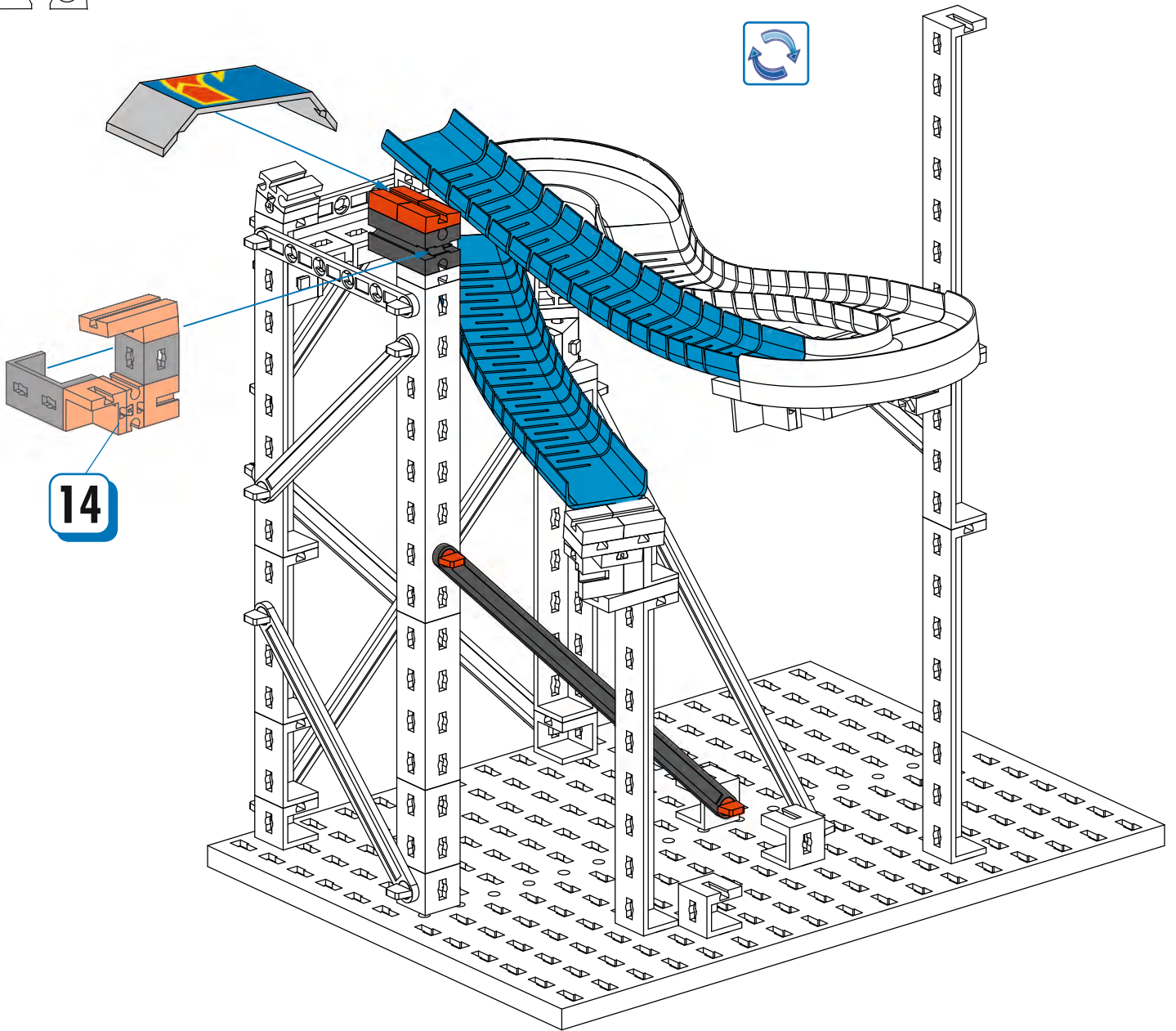
**14**

- 1x (grey 1-hole Technic brick)
- 1x (grey 1-hole Technic brick)
- 2x (orange 1-hole Technic brick)
- 1x (orange 1-hole Technic brick with 7.5° angle)
- 1x (orange 1-hole Technic brick)
- 1x (orange 1-hole Technic brick)
- 1x (orange 1-hole Technic brick)



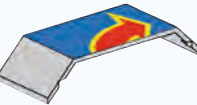



**15**

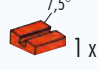
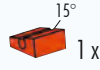
- 2x (blue curved Technic track)
- 2x (orange 1-hole Technic brick with 7.5° angle)
- 1x (black axle, length 169.6)
- 1x (grey 1-hole Technic brick)
- 1x (curved Technic track with a colorful pattern)
- 2x (orange 1-hole Technic brick with 7.5° angle)

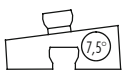
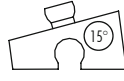


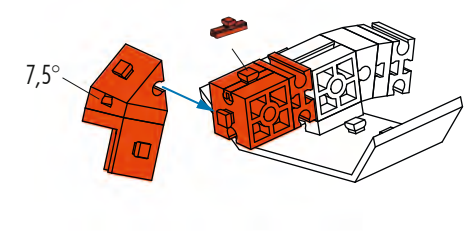
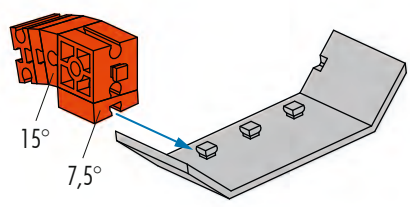
**14**

**16**






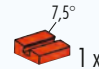
1x  1x  1x  1x  1x


7,5° 1x  1x 15° 1x 

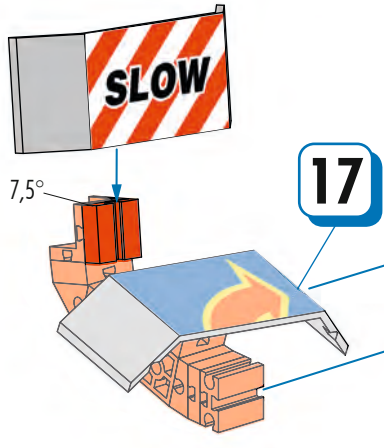
 




**17**


1x  1x  1x  1x 1x  1x 60° 1x  1x 7,5° 1x 




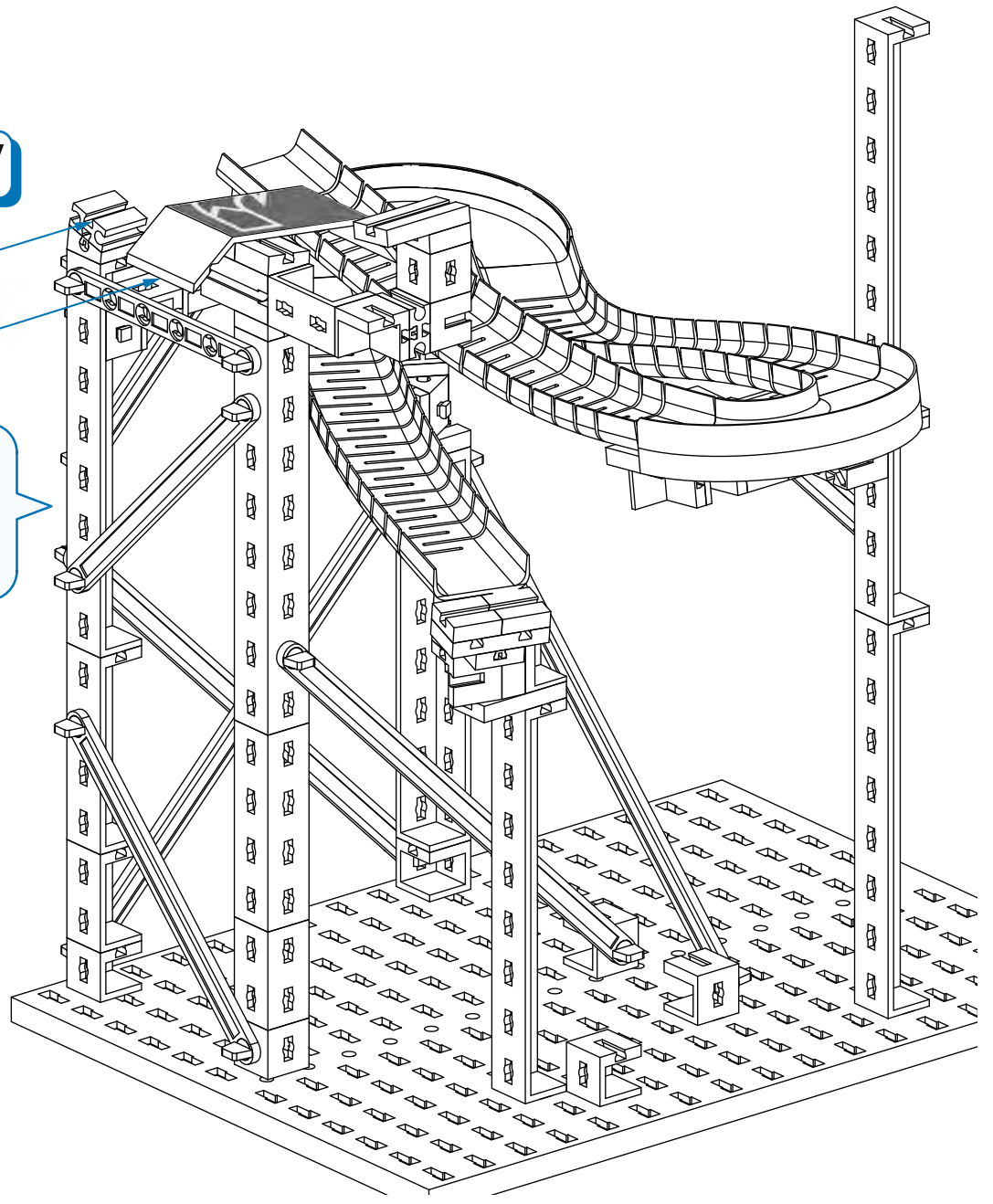


**18**

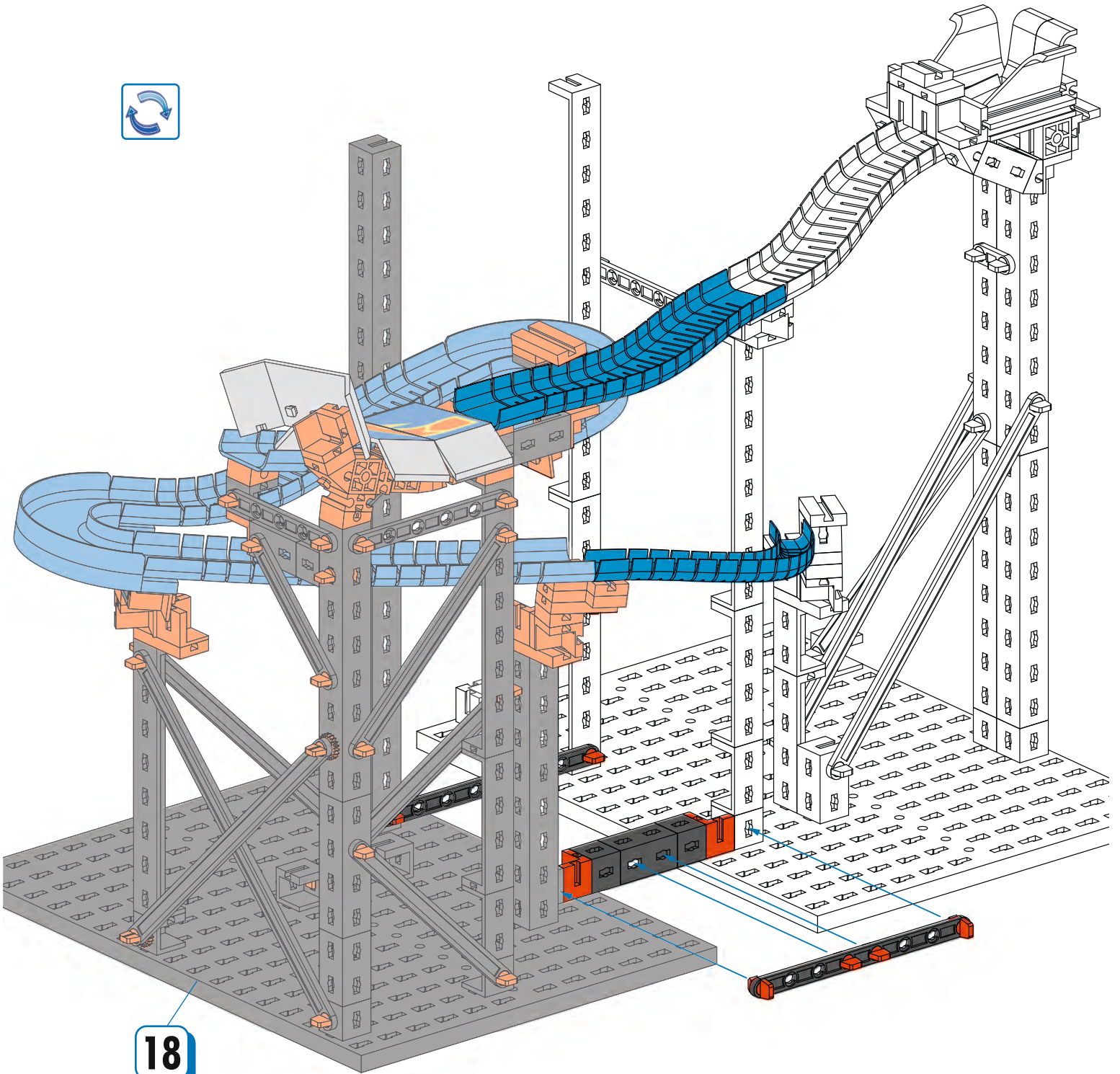
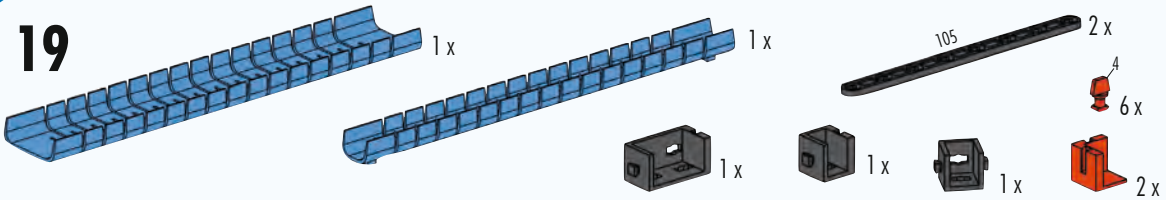
1x  1x

7,5° 1x 





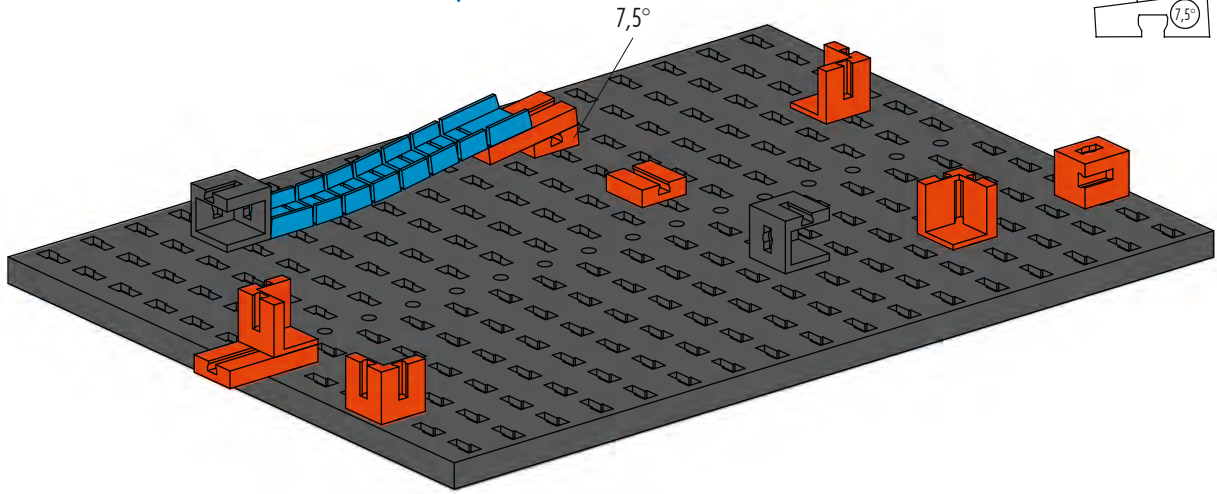
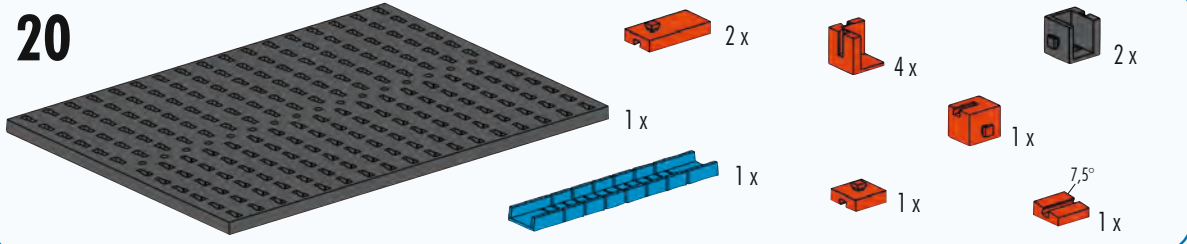
19



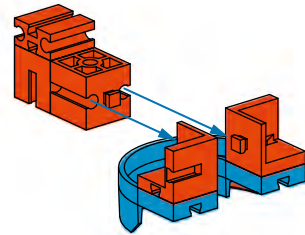
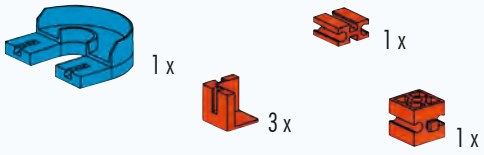
18



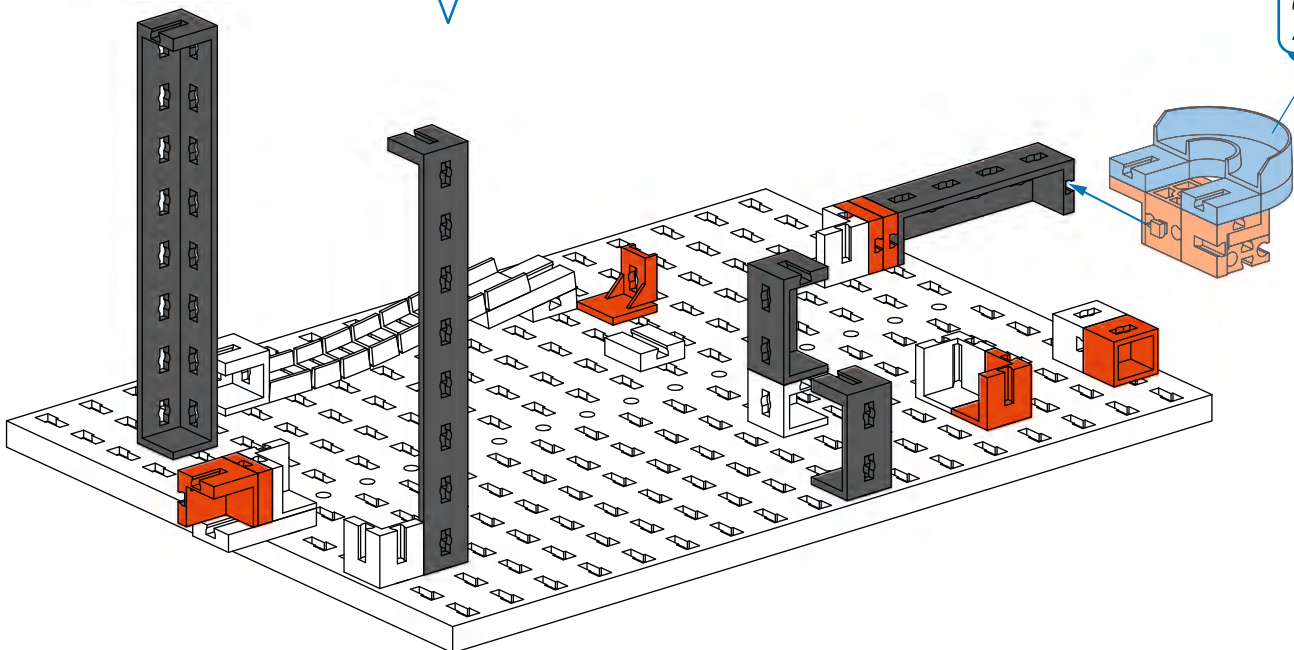
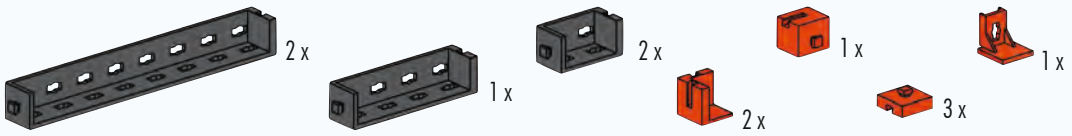
20



21

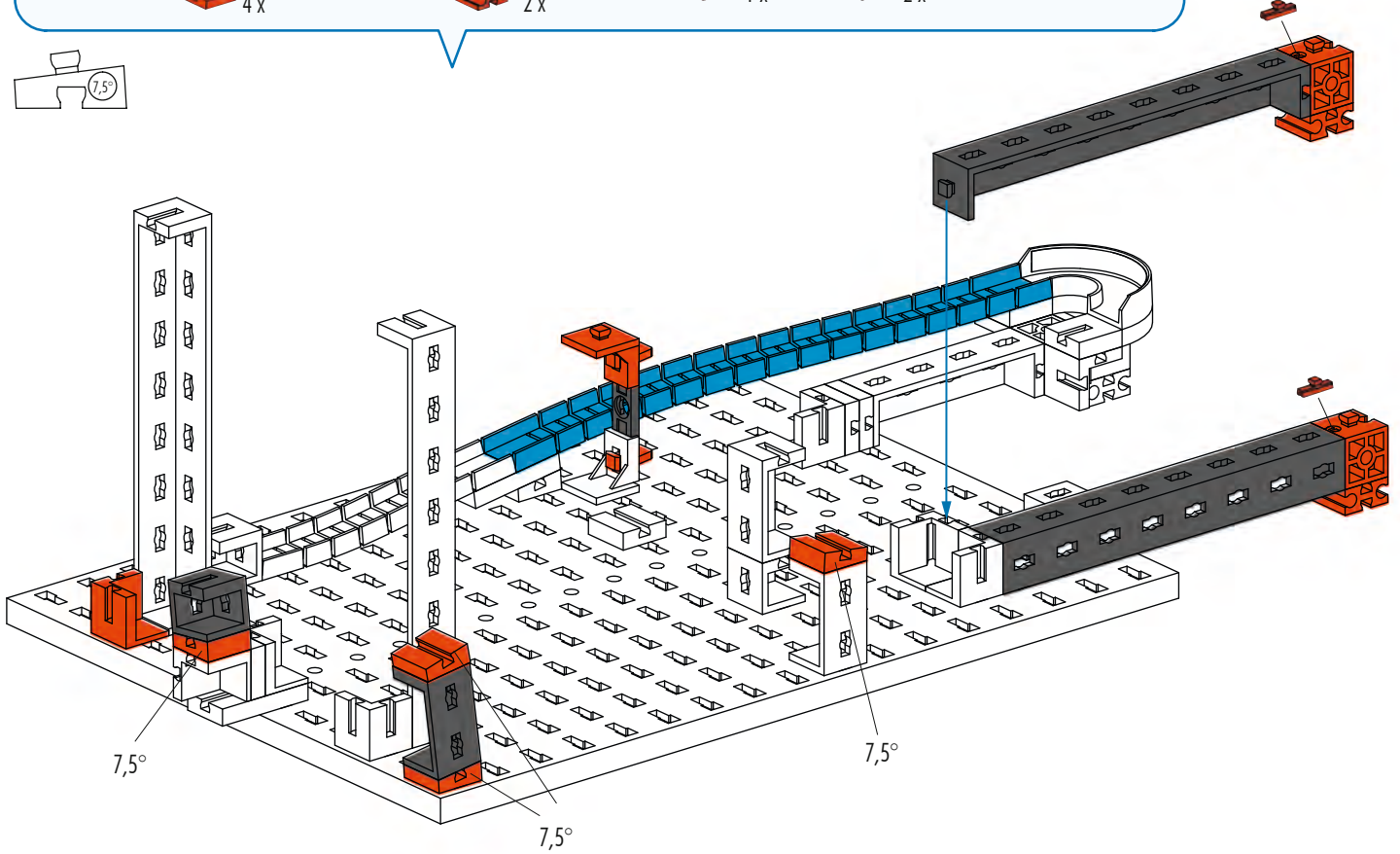
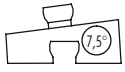


22



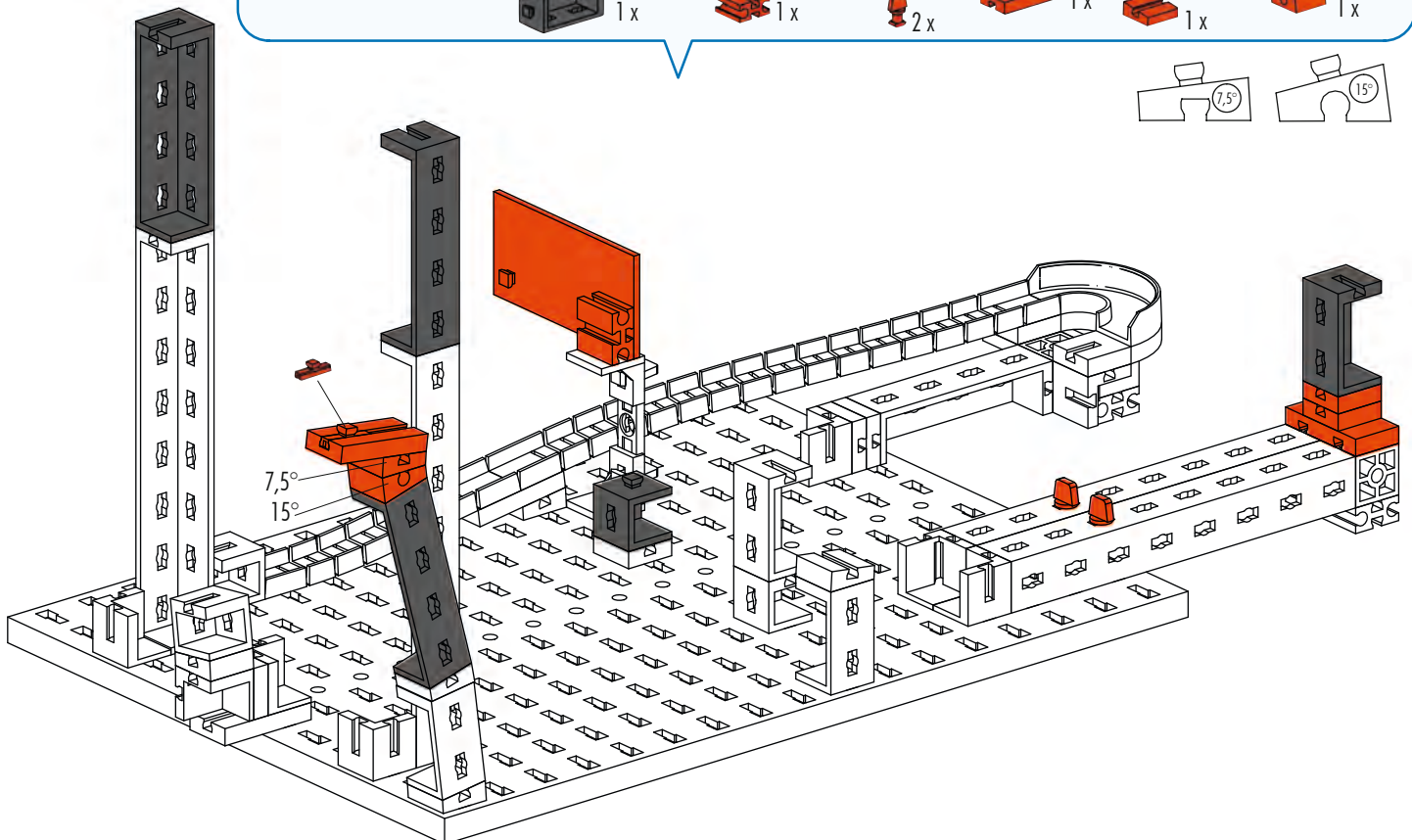
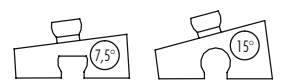
23

- 1x (Blue Technic Beam 1x12)
- 2x (Grey Technic Beam 1x12)
- 1x (Grey Technic Connector)
- 1x (Grey Technic Connector)
- 4x (Orange Technic Pin 7.5°)
- 1x (Orange Technic Pin 7.5°)
- 2x (Orange Technic Pin 7.5°)
- 2x (Orange Technic Pin 7.5°)
- 1x (Orange Technic Pin 7.5°)
- 2x (Orange Technic Pin 7.5°)
- 1x (Grey Technic Pin 30)
- 2x (Orange Technic Pin A)

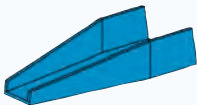






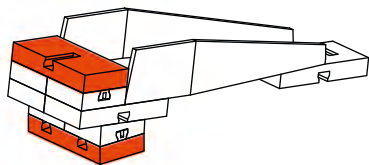
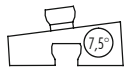
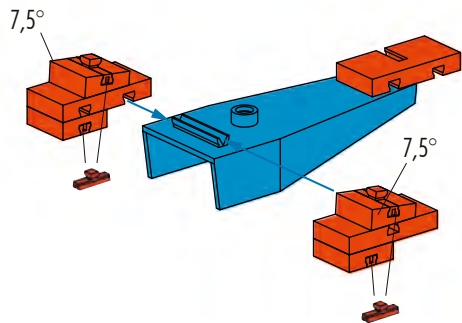
24

- 3x (Grey Technic Beam 1x12)
- 1x (Grey Technic Connector)
- 1x (Black Technic Plate 1x12)
- 1x (Orange Technic Pin 7.5°)
- 2x (Orange Technic Pin 7.5°)
- 1x (Orange Technic Pin 15°)
- 1x (Grey Technic Connector)
- 1x (Orange Technic Pin 7.5°)
- 2x (Orange Technic Pin A)
- 1x (Orange Technic Pin 7.5°)
- 1x (Orange Technic Pin 15°)




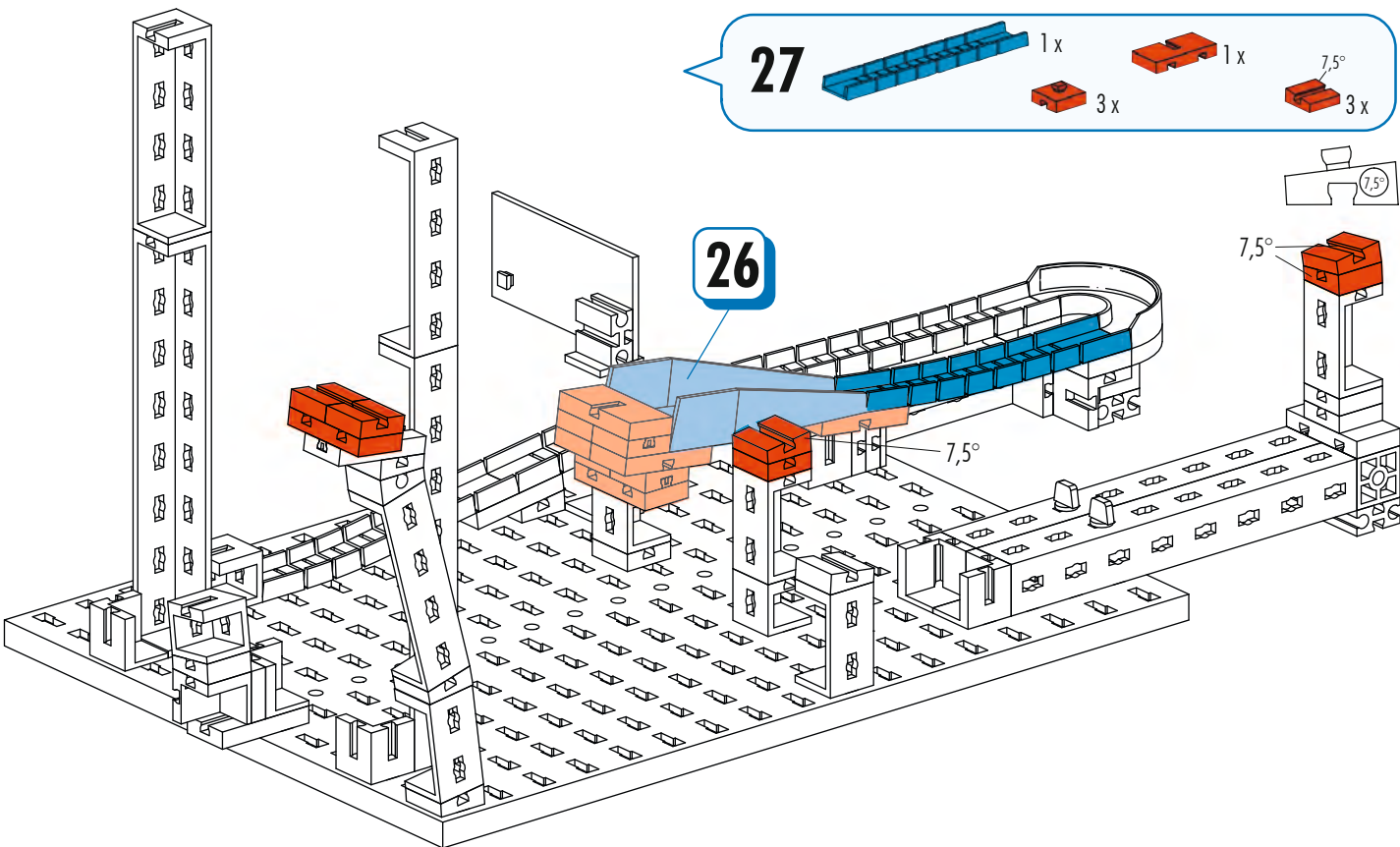
**25**

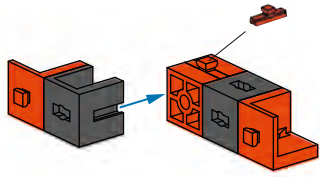
1 x  3 x  2 x  2 x  4 x 



**26**

2 x 



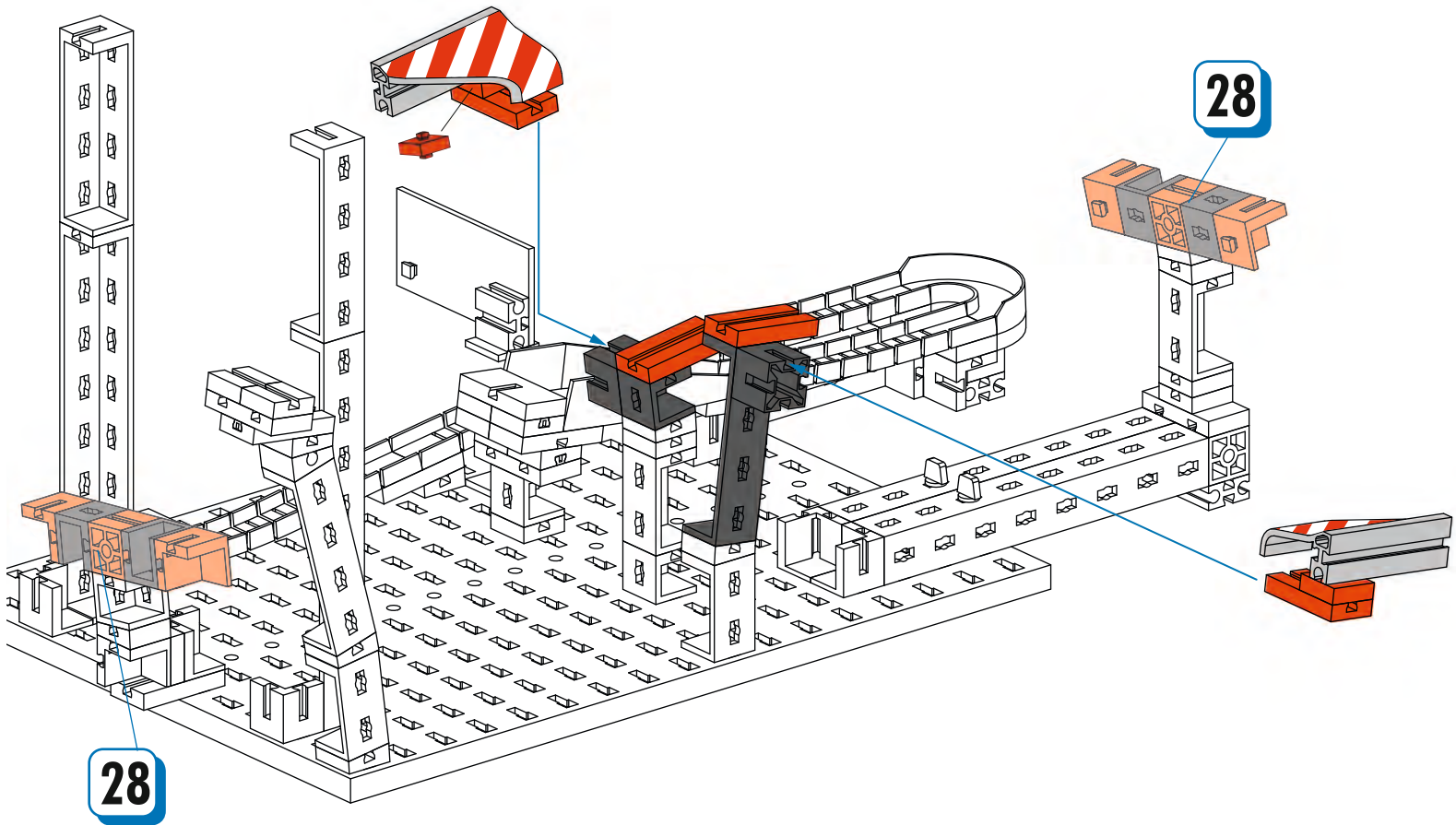
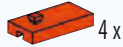
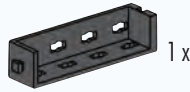


2 x

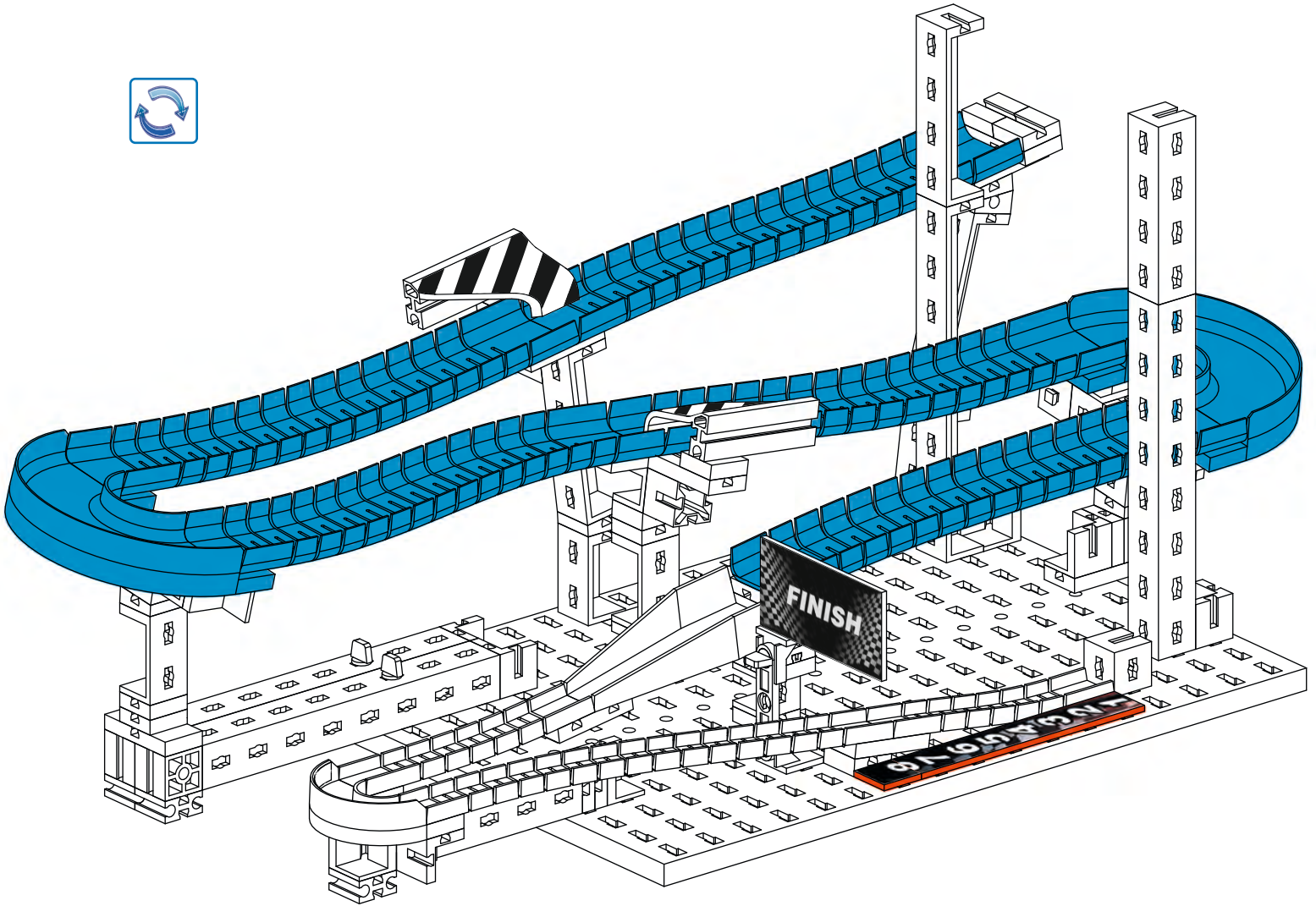
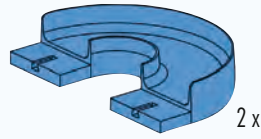
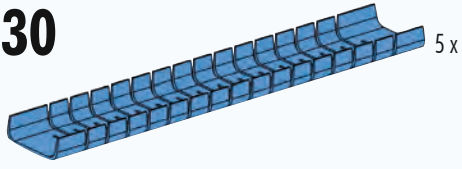
28



29



30



31



1x



1x

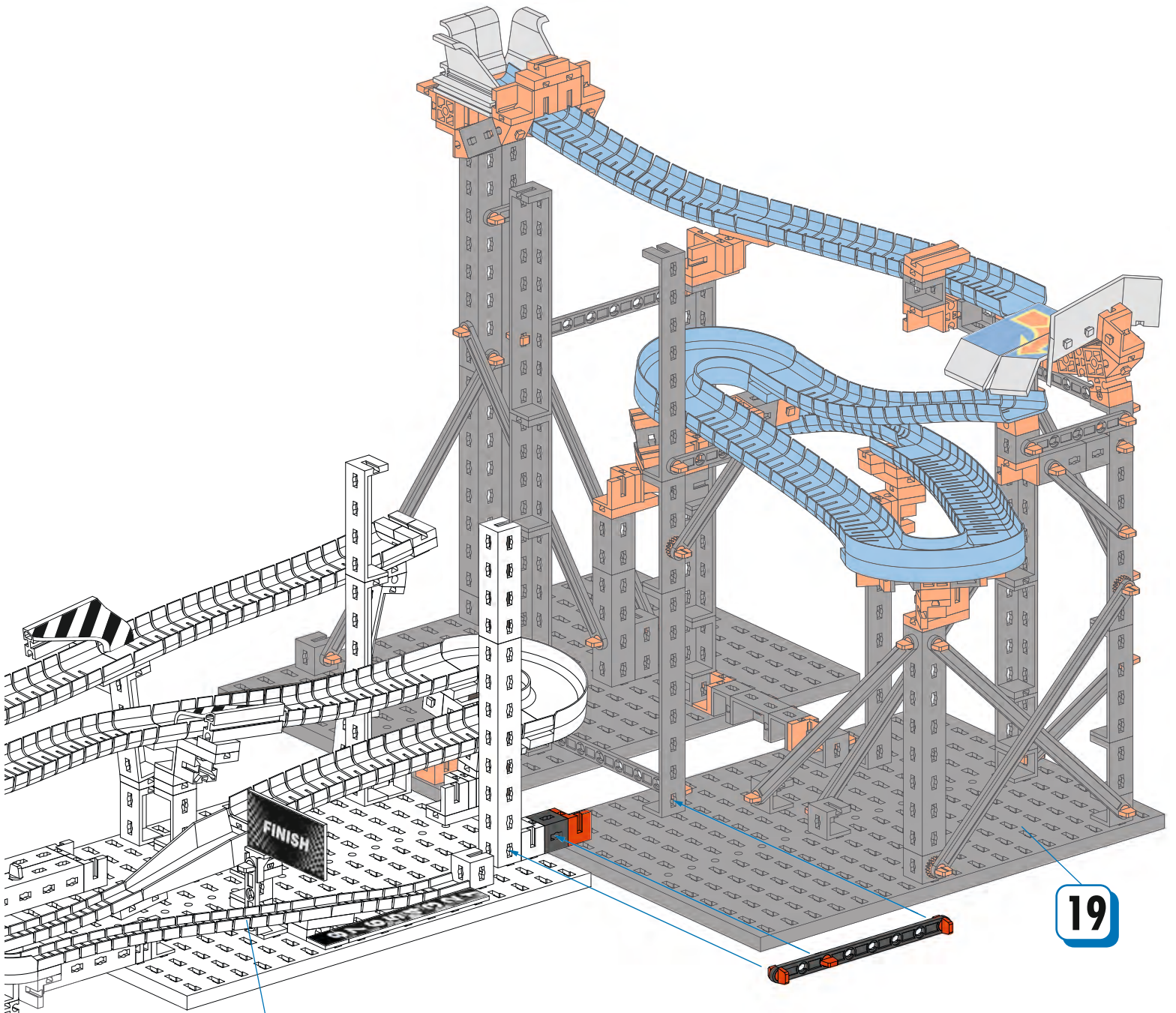


105

1x



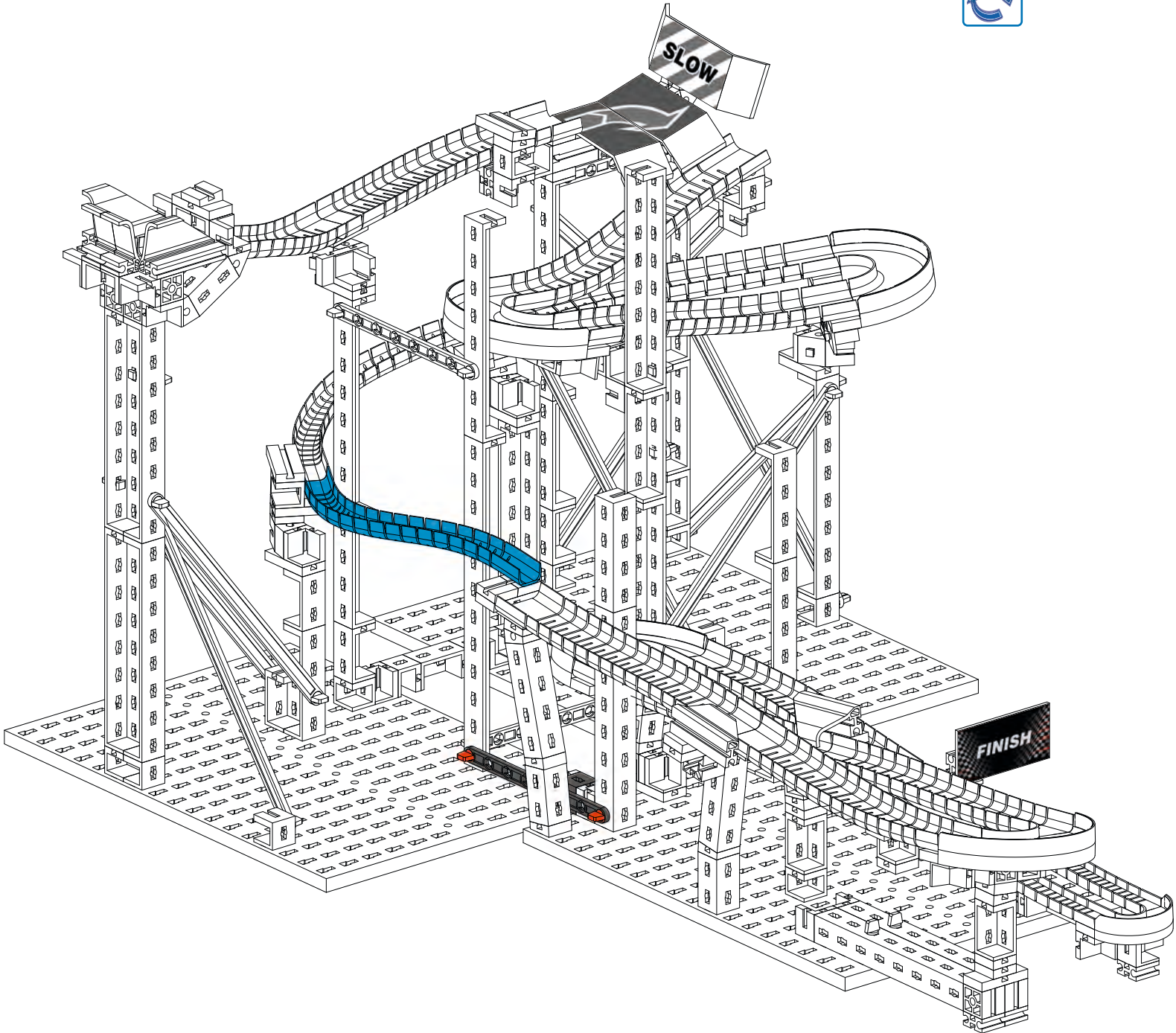
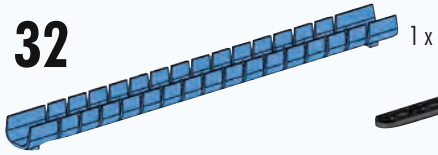
3x



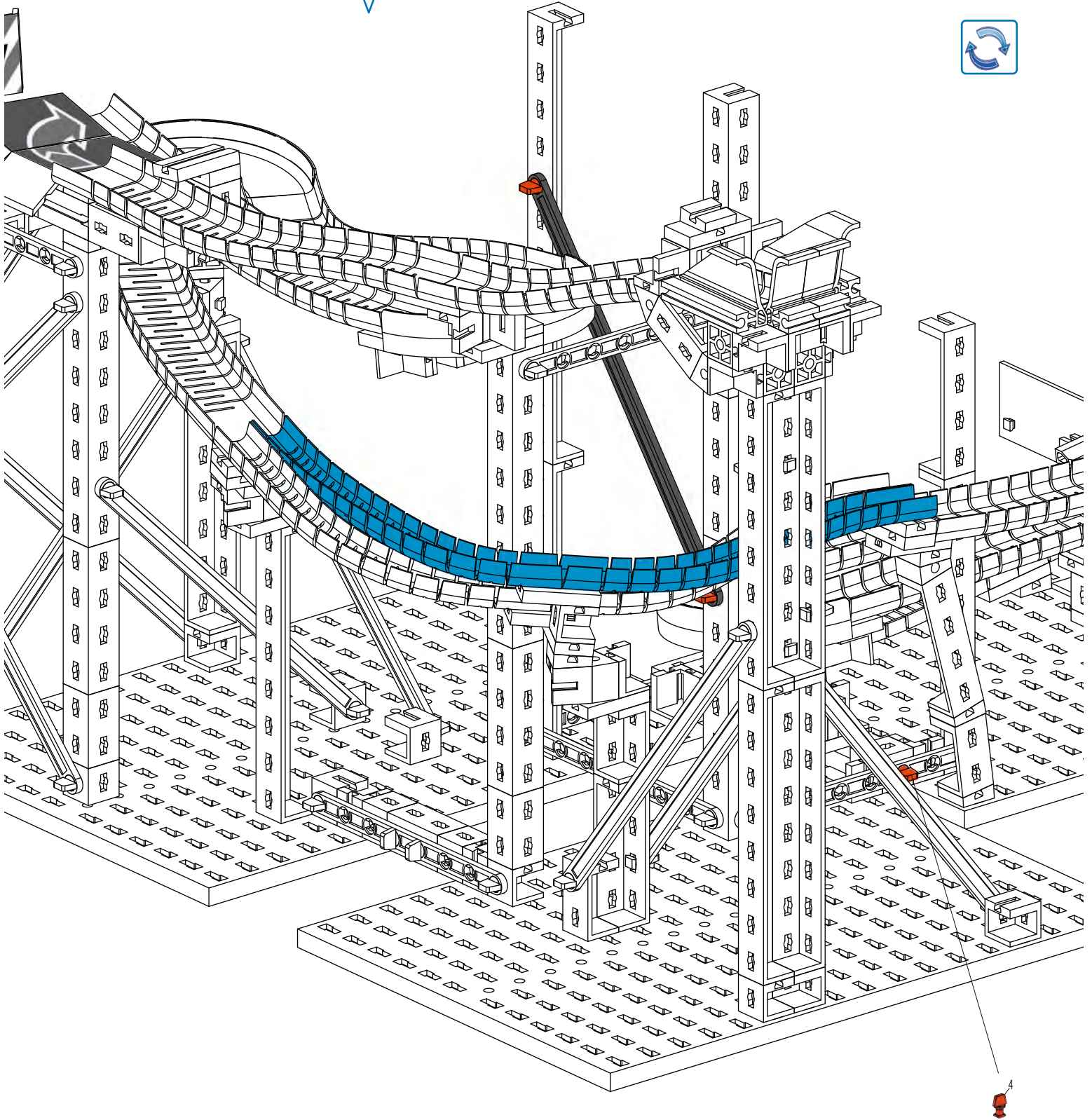
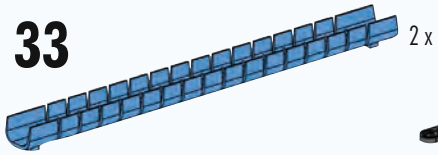
19

30

32

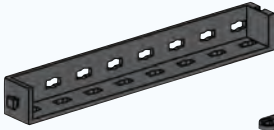


33





34



2 x



3 x



4 x



15 x



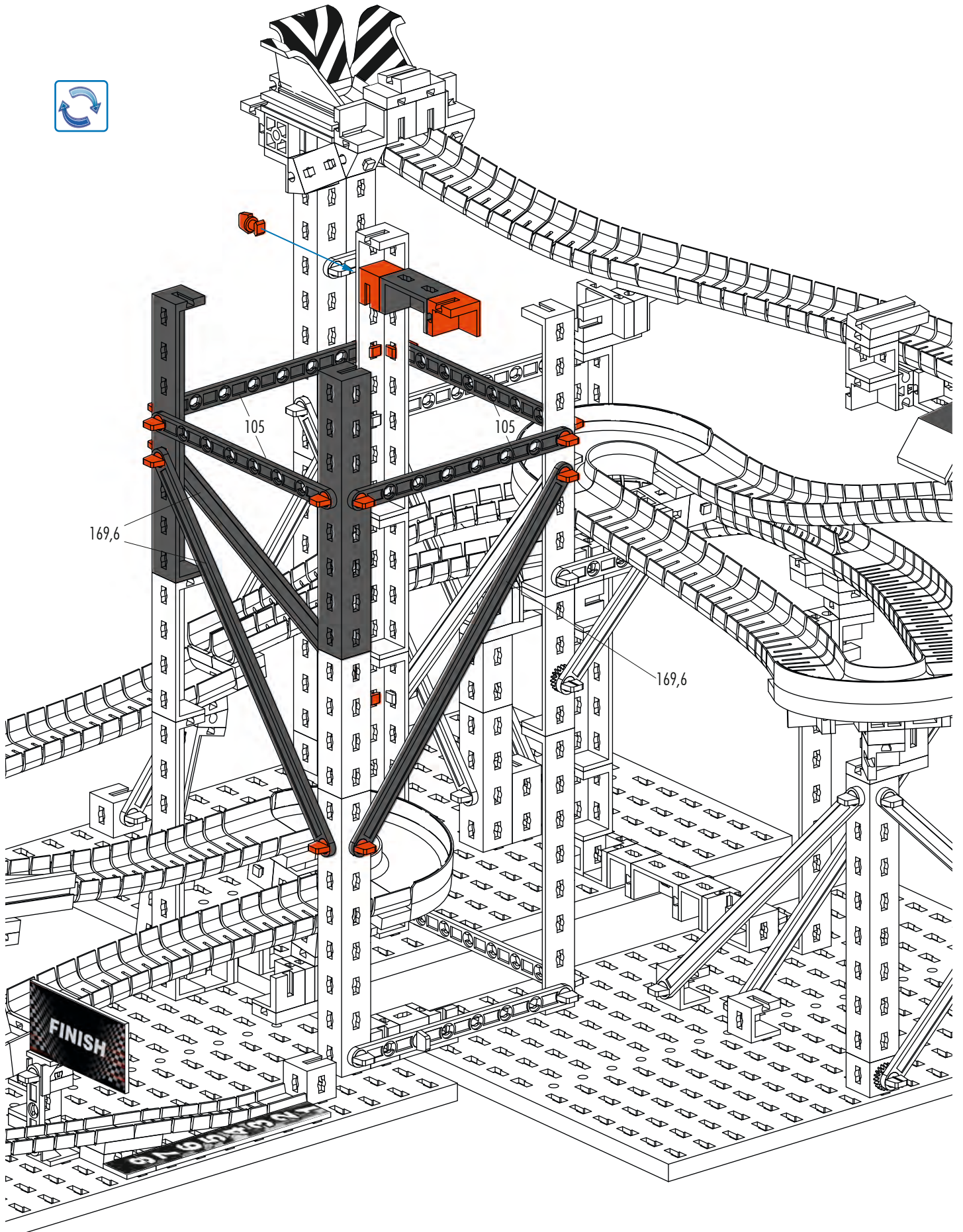
1 x



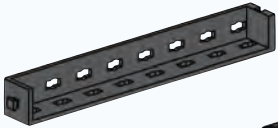








1 x

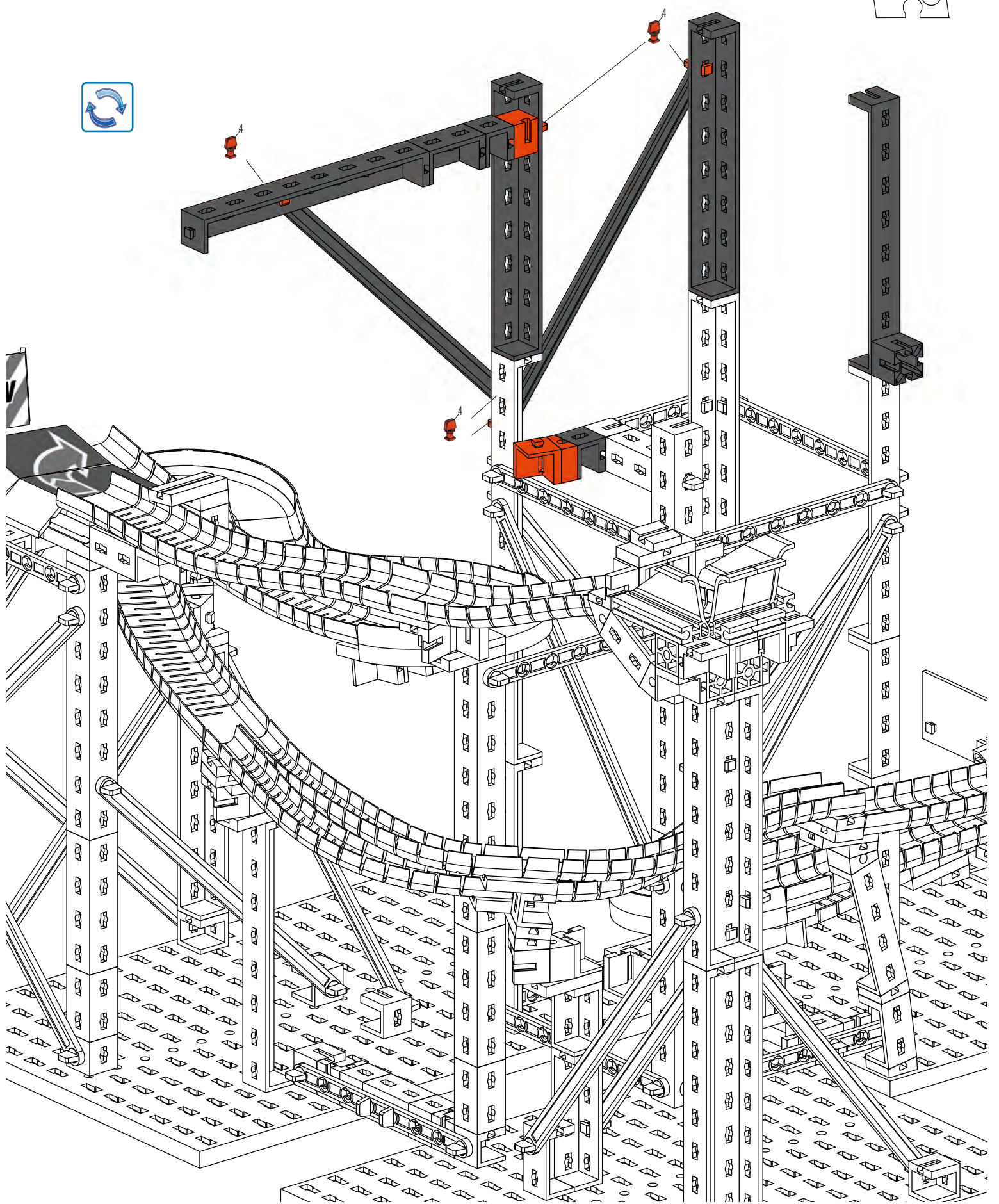
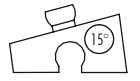


1 x

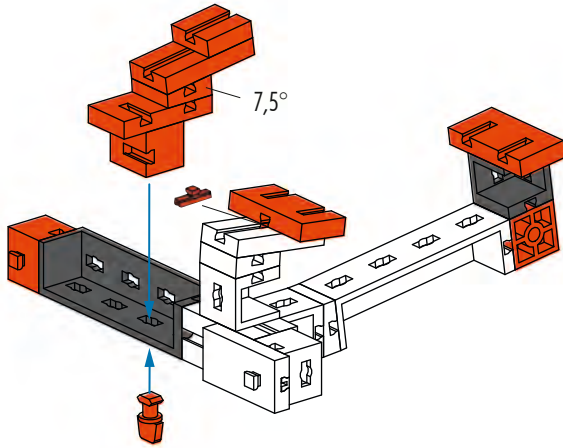
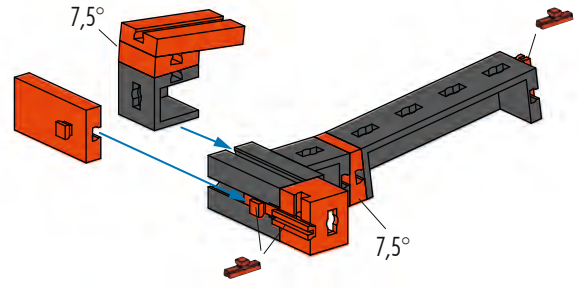
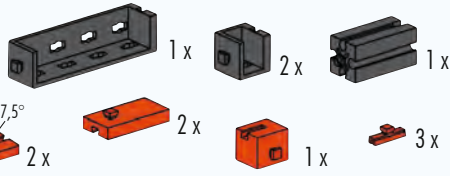


35

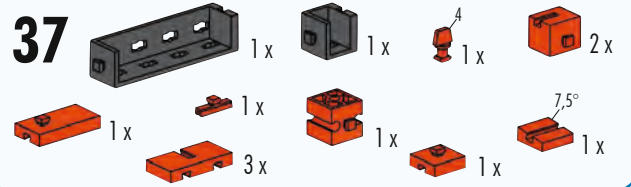
- 4 x 
- 2 x 
- 1 x 
- 5 x 
- 1 x 
- 2 x 
- 1 x 
- 1 x 
- 1 x 



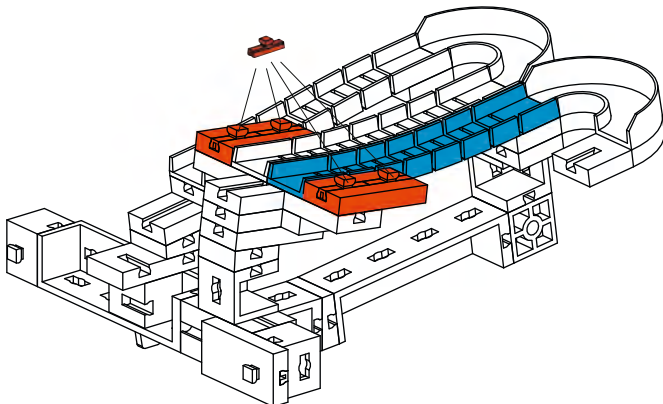
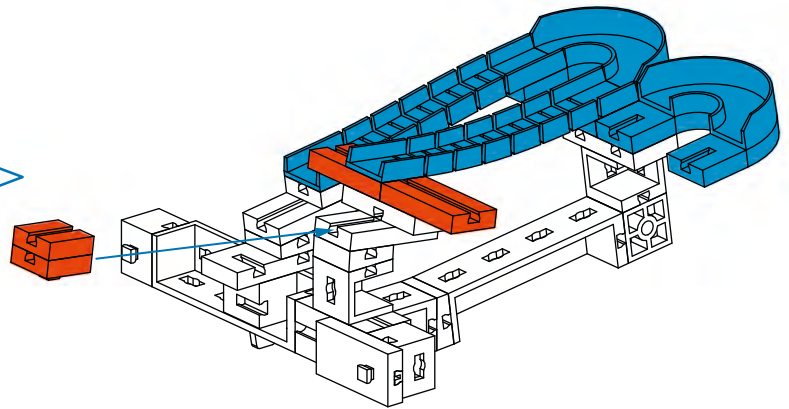
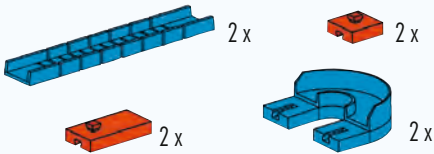
36



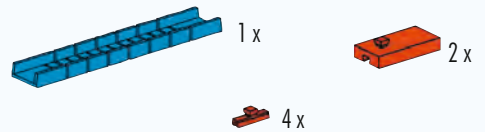
37



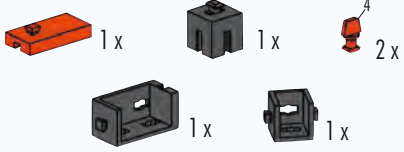
38



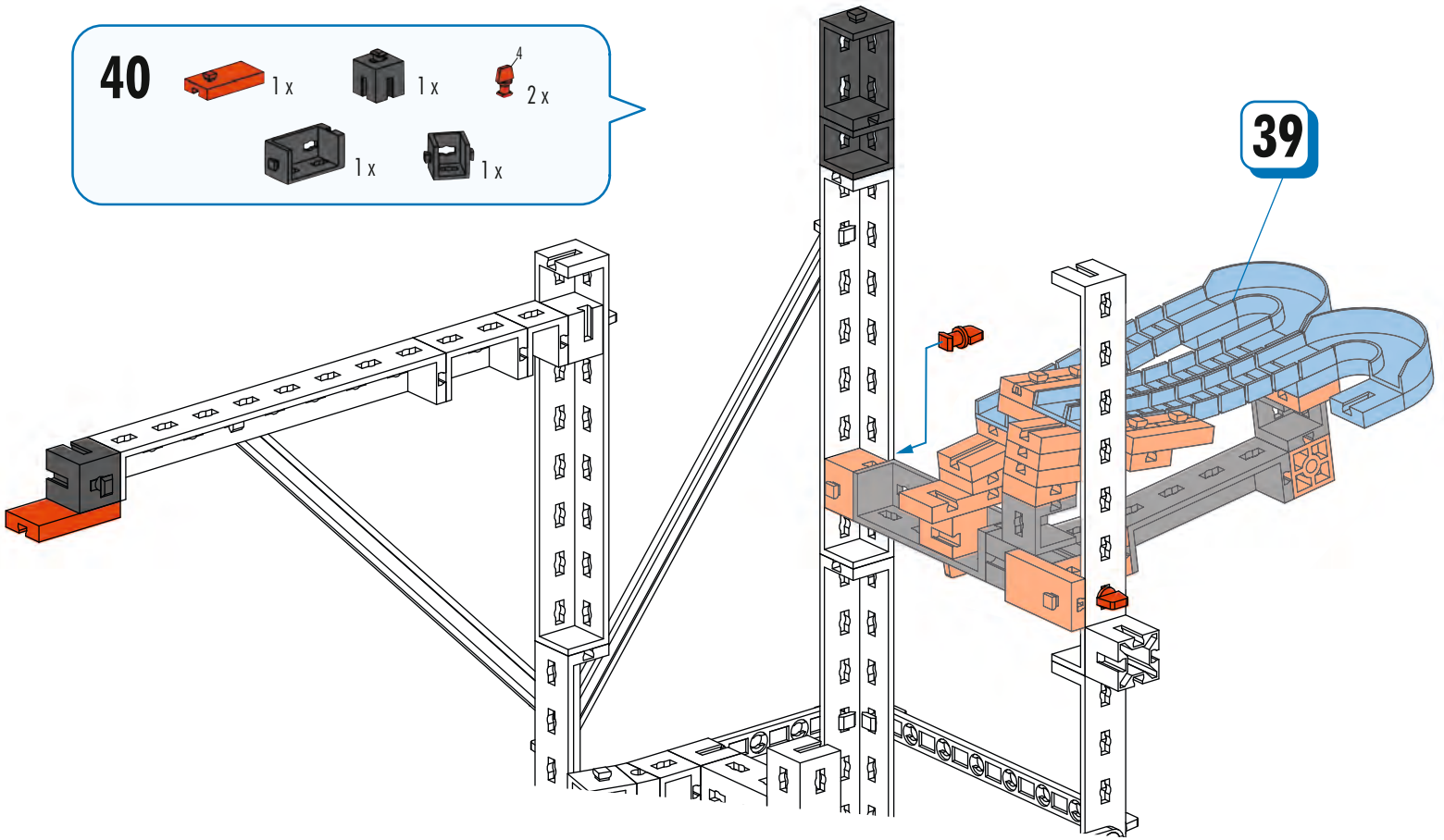
39



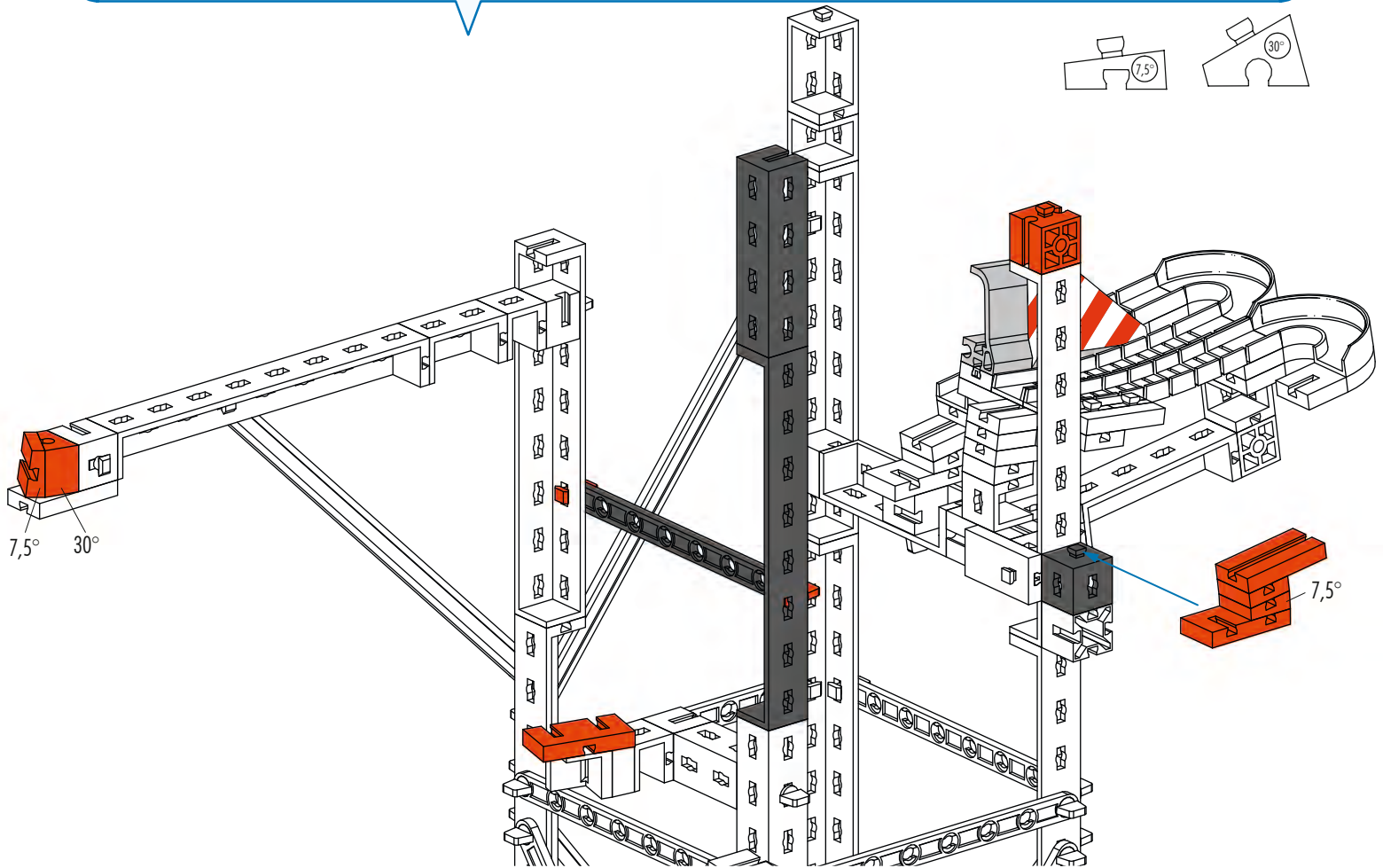
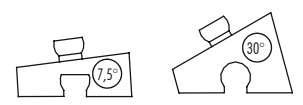
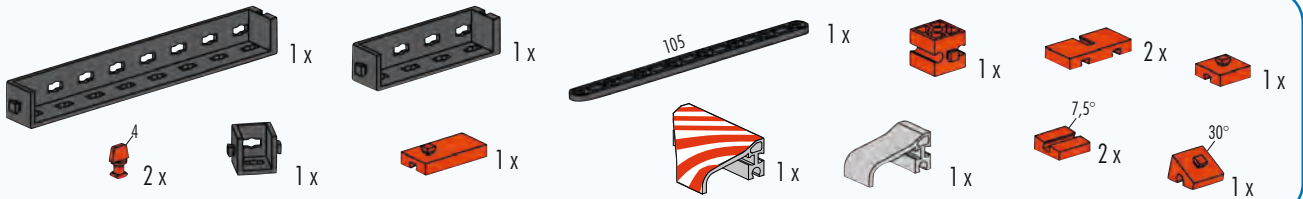
40



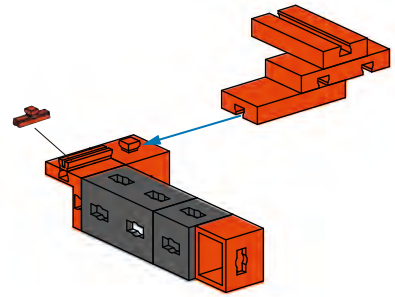
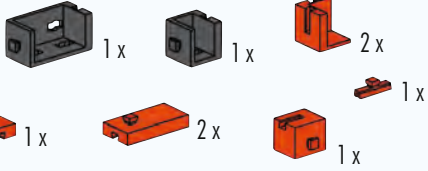
39



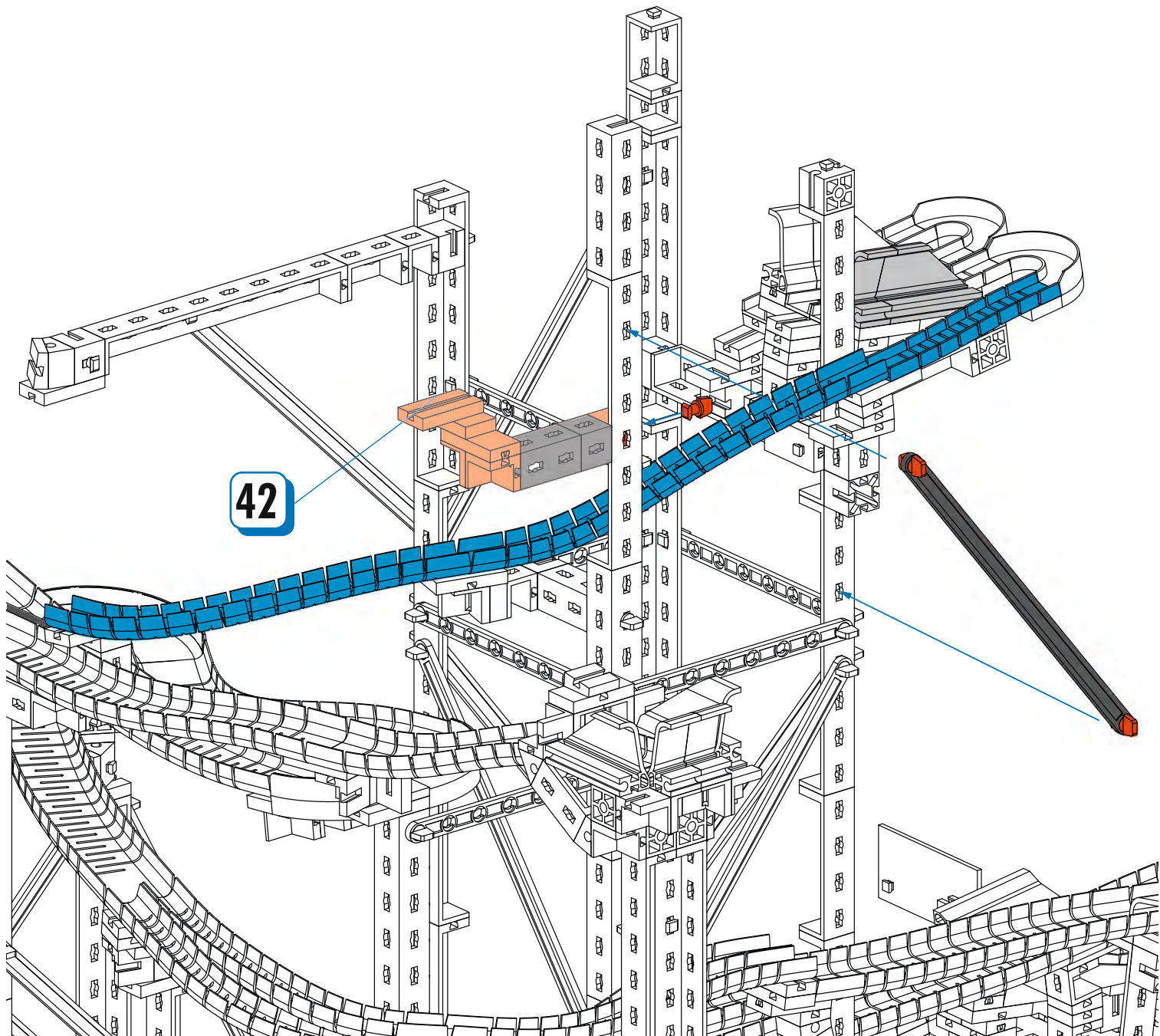
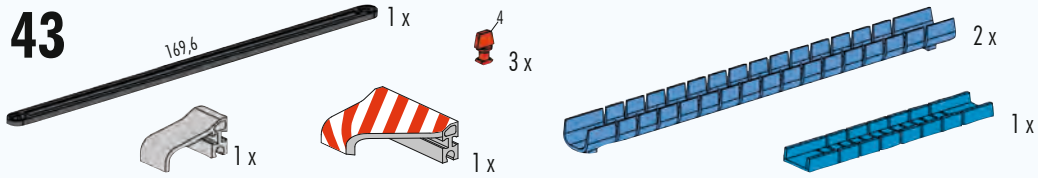
41



42

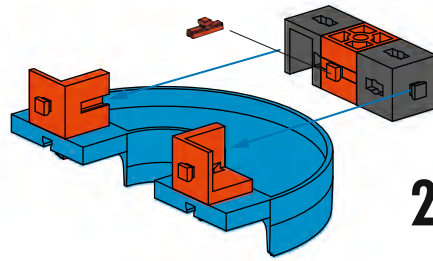


43



**44**

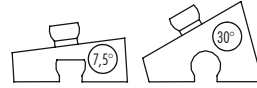
- 2 x (Large blue curved piece)
- 2 x (Small red 1x2x2 brick)
- 4 x (Red 1x2x2 brick)
- 4 x (Grey 1x2x2 brick)
- 2 x (Small red 1x2x2 brick)



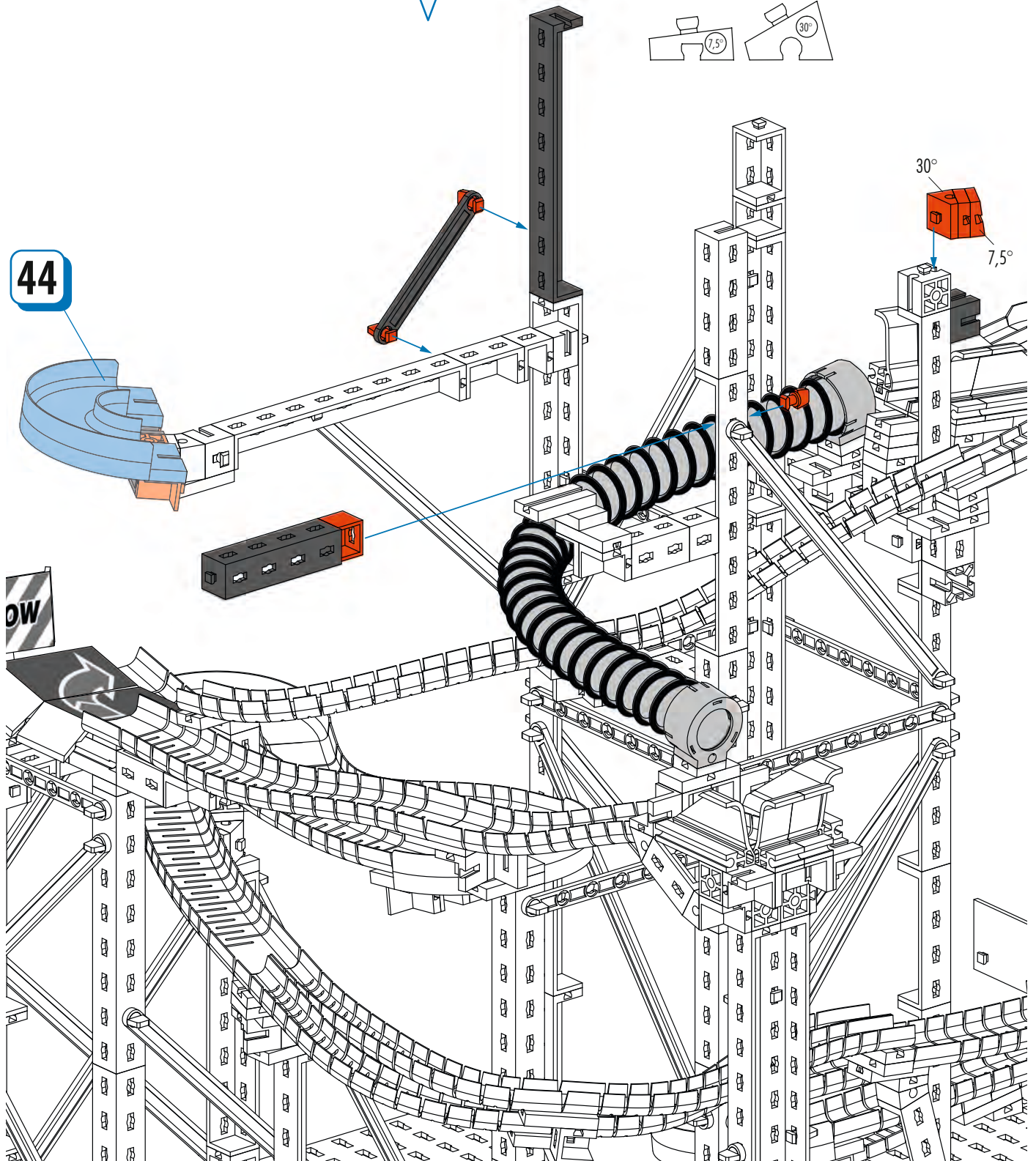
**2 x**

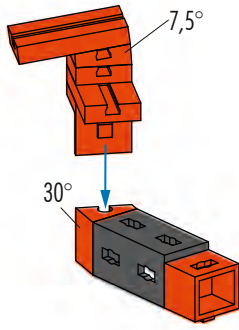
**45**

- 1 x (Grey 1x10 Technic beam)
- 1 x (Grey 1x10 Technic beam)
- 1 x (Grey 1x10 Technic axle)
- 1 x (Grey 1x10 Technic axle)
- 1 x (Grey 1x10 Technic axle)
- 3 x (Red 1x1 pin)
- 1 x (Red 1x2x2 brick)
- 1 x (Red 1x2x2 brick)
- 1 x (Red 1x2x2 brick)
- 1 x (Red 1x2x2 brick)
- 1 x (Red 1x2x2 brick)
- 1 x (Red 1x2x2 brick)
- 1 x (Grey 1x2x2 brick)
- 1 x (Grey 1x2x2 brick)



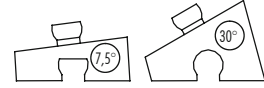
**44**





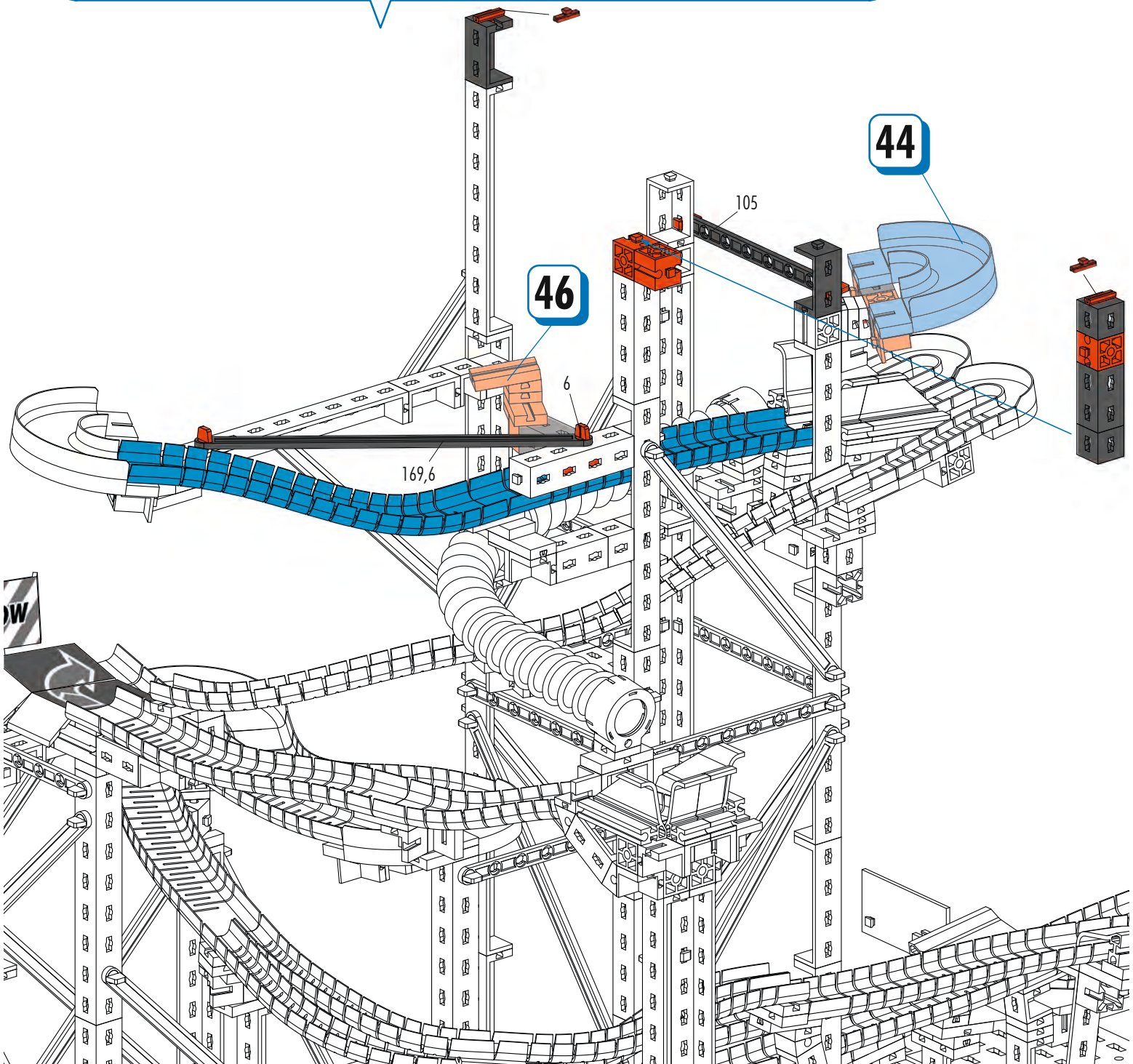
**46**

- 1 x
- 2 x
- 1 x
- 1 x
- 1 x
- 1 x
- 1 x



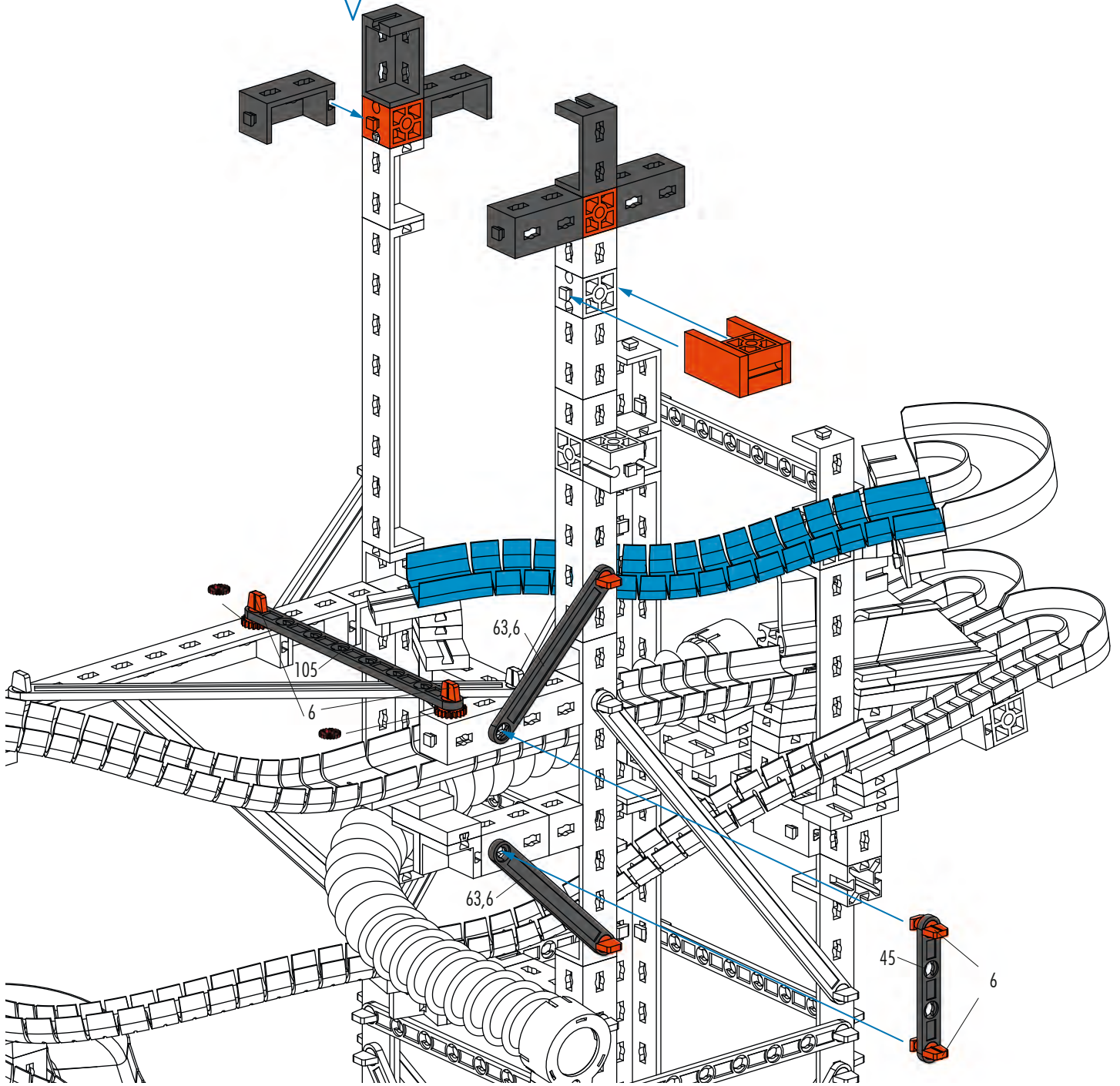
**47**

- 2 x
- 3 x
- 2 x
- 3 x
- 2 x
- 1 x
- 1 x
- 3 x
- 1 x



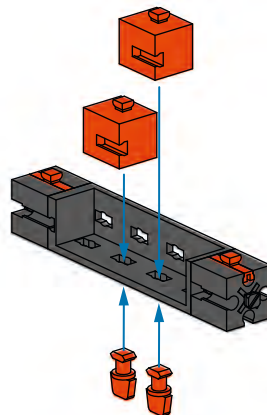
48

- 1 x (blue curved beam)
- 1 x (black 45 axle)
- 1 x (black 63,6 axle)
- 2 x (black 63,6 axle)
- 1 x (black 105 axle)
- 6 x (grey 2-hole Technic brick)
- 3 x (orange 2-hole Technic brick)
- 2 x (orange 1-hole Technic brick)
- 2 x (black axle pin)
- 2 x (orange axle pin A)
- 4 x (orange axle pin B)

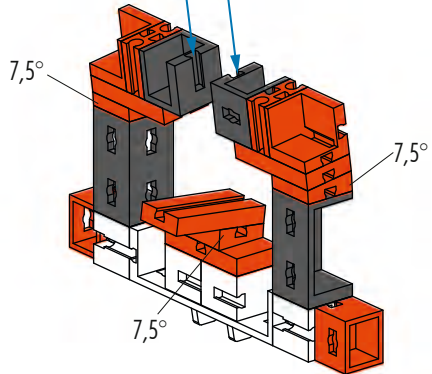
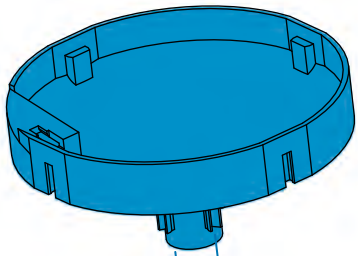


49

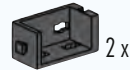
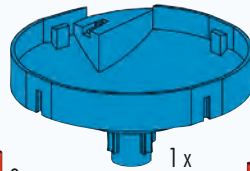
- 1 x (grey 2-hole Technic brick)
- 2 x (orange 2-hole Technic brick)
- 2 x (orange 1-hole Technic brick)
- 2 x (grey 2-hole Technic brick)
- 2 x (orange axle pin A)







50



2 x



2 x



2 x



2 x



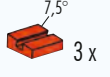
3 x



2 x

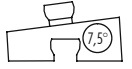


1 x



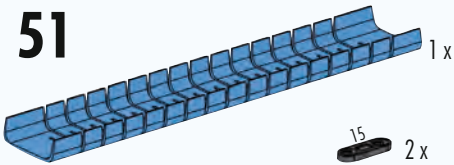
7.5°

3 x



7.5°

51



1 x



2 x



169,6



105

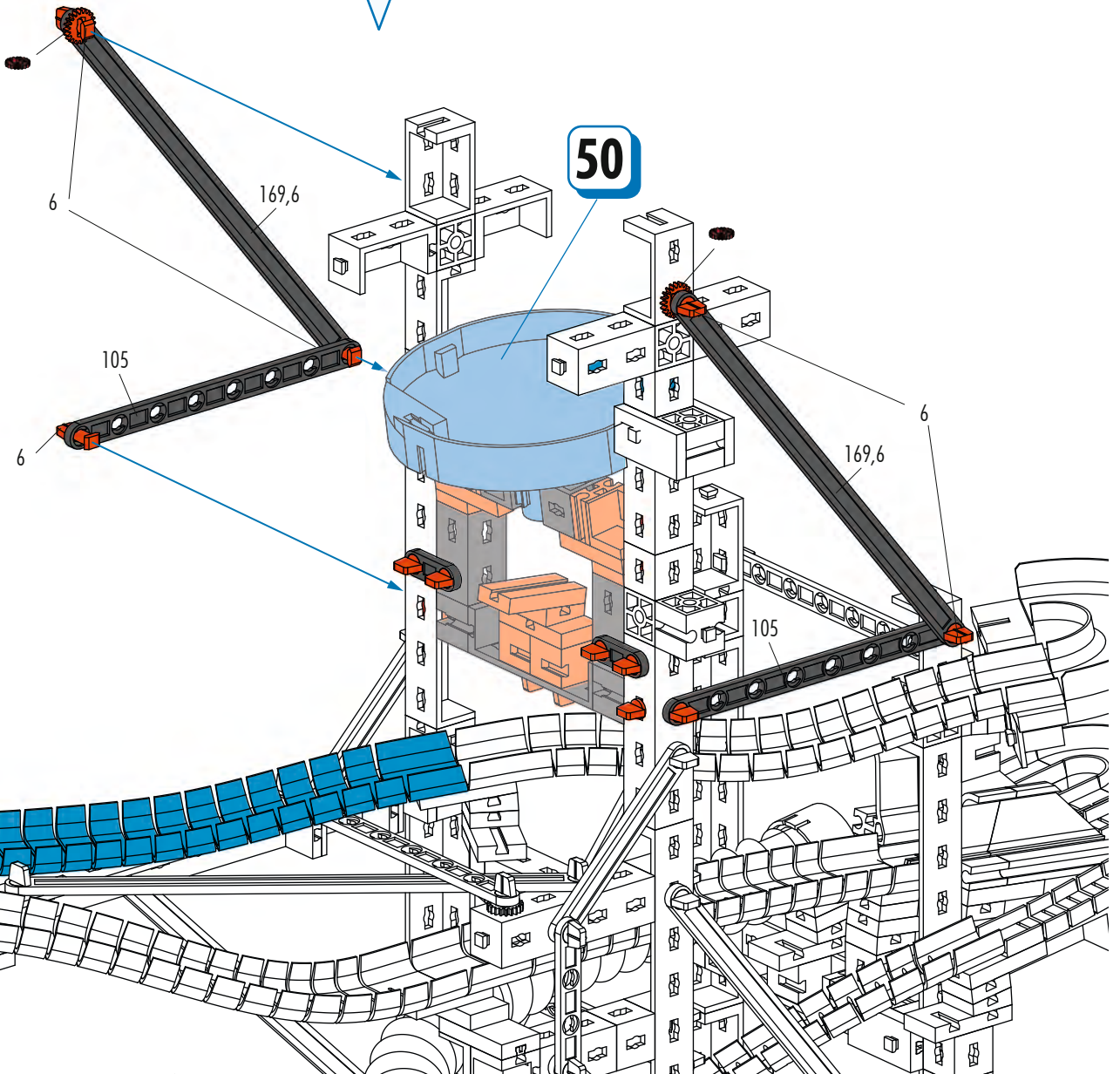
2 x



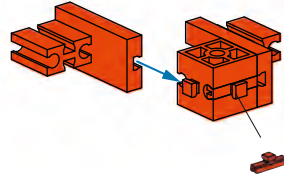
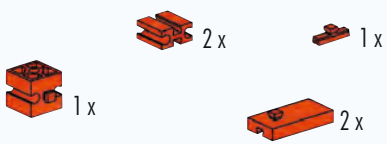
6 x



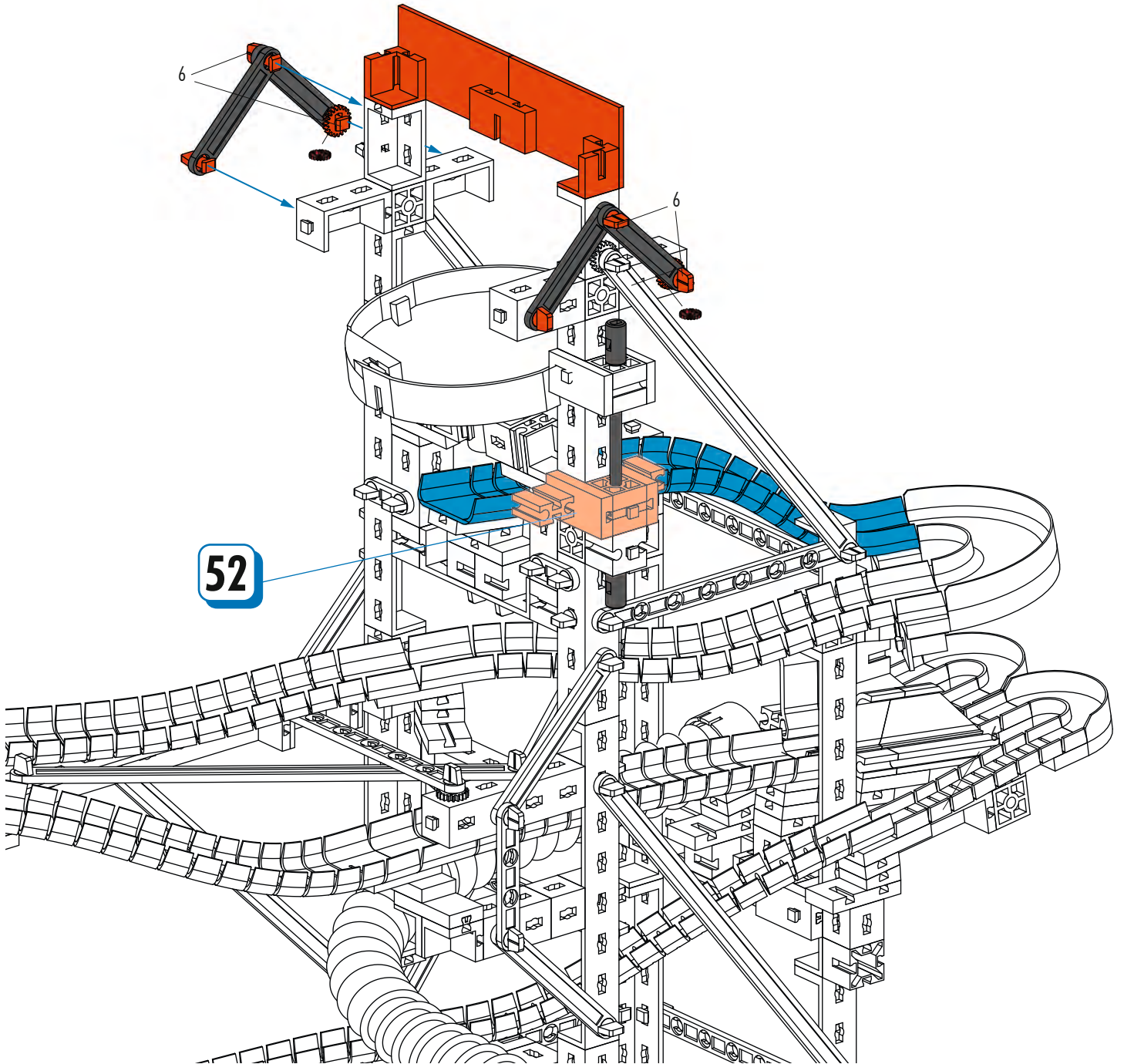
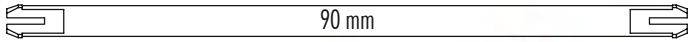
5 x


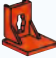


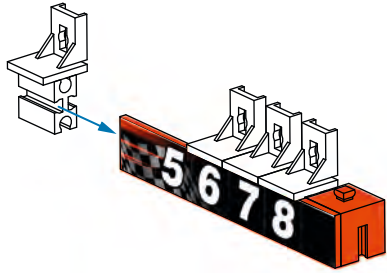
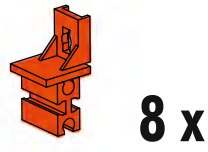
52








53

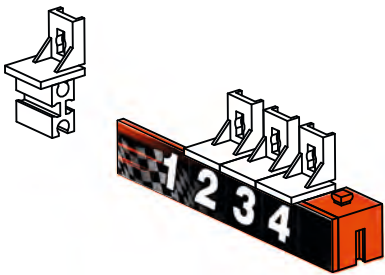
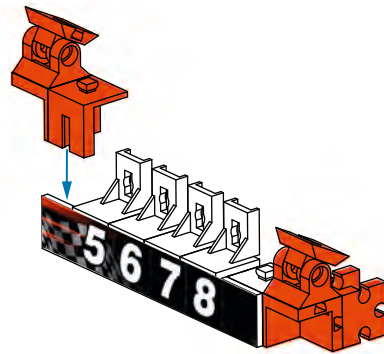



**54**  8x  8x






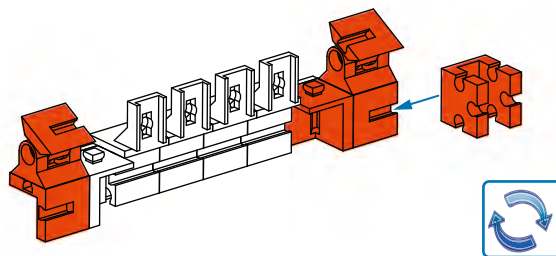
**55**  1x  1x

**56**  2x  3x  1x



**57**  1x  1x

**58**  2x  3x  1x

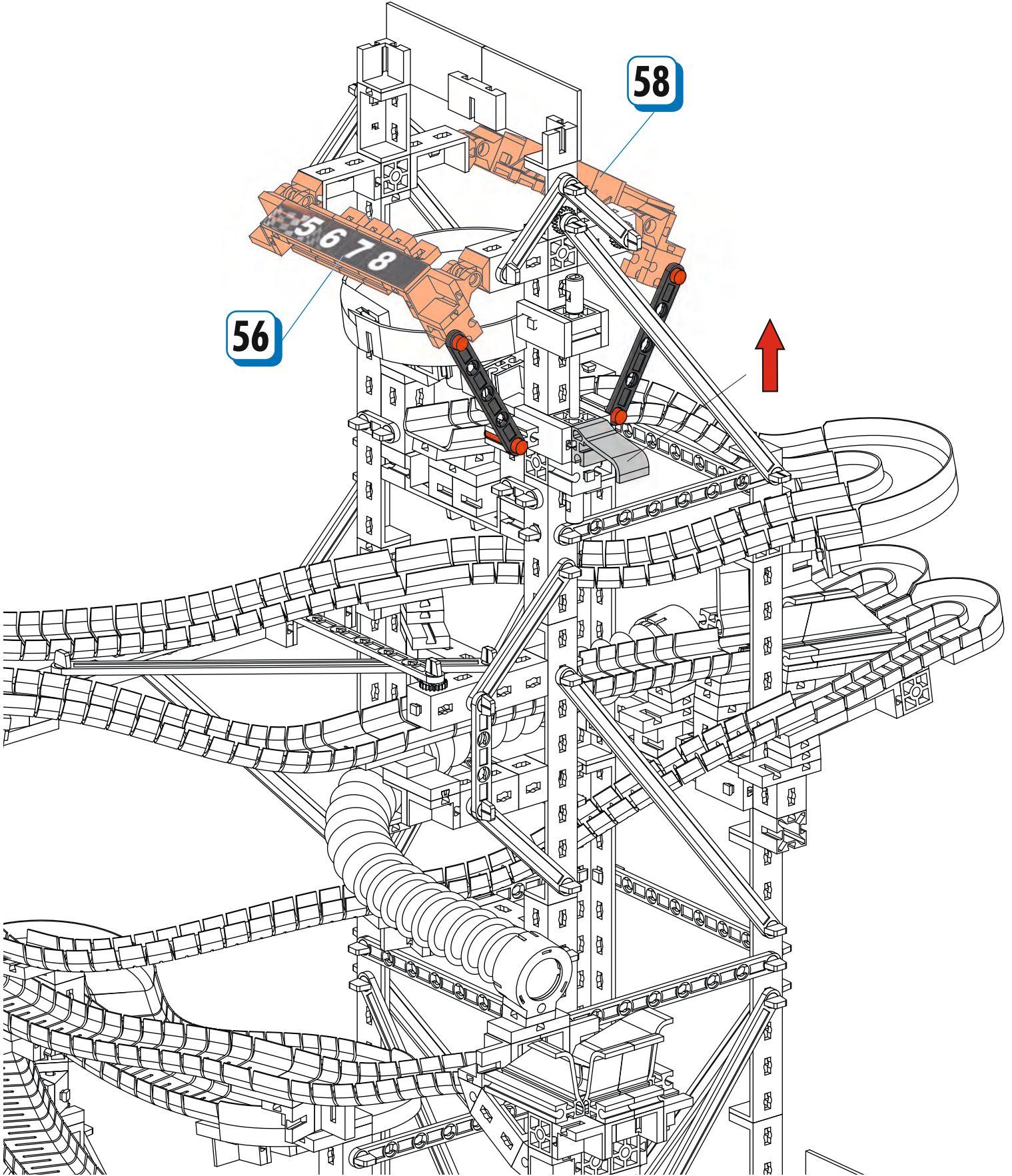


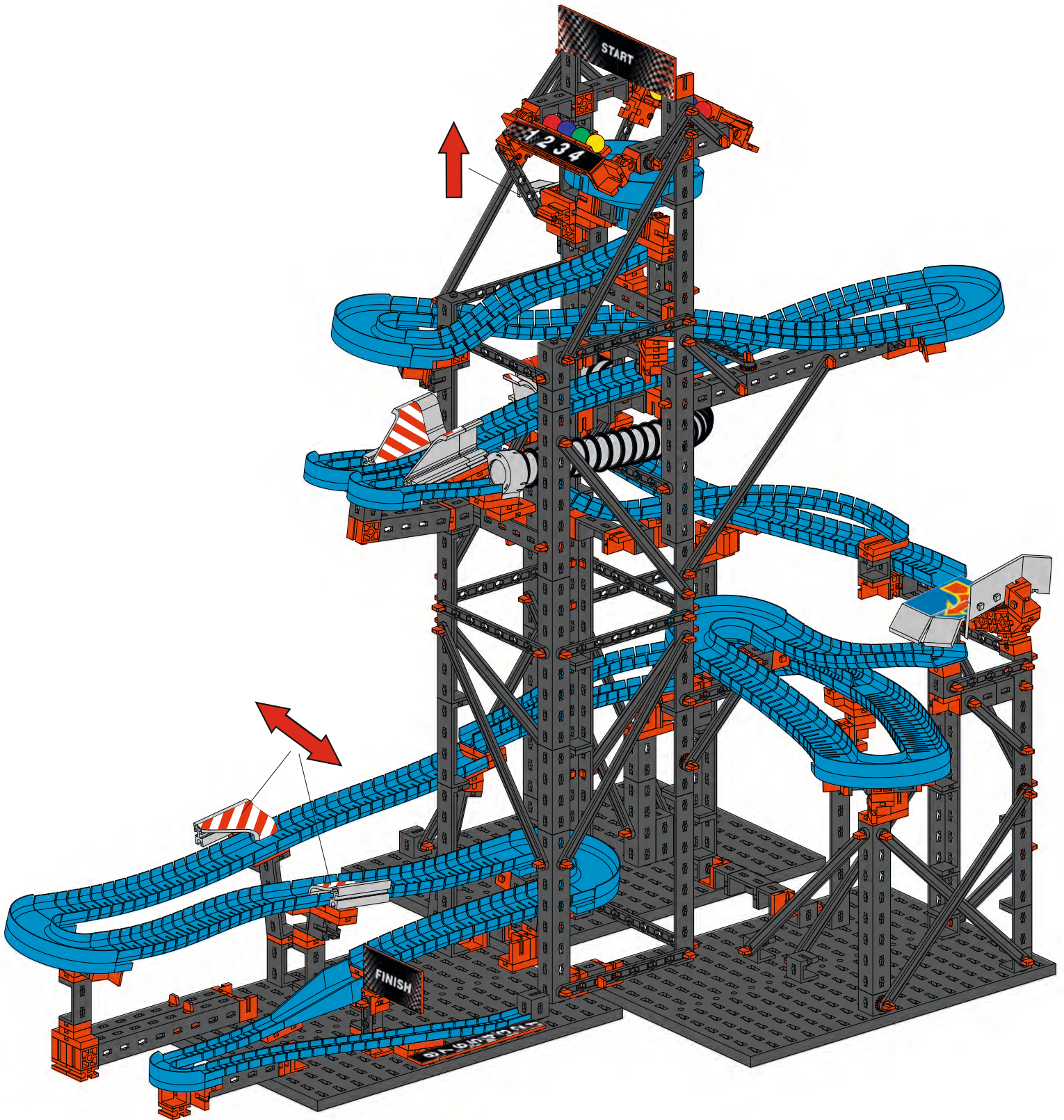
**59**

60 2x

4x

1x



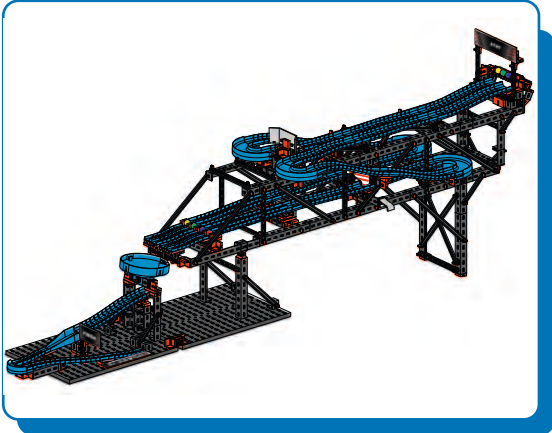


Modell in Action! / Model in action! / Modèle en service! / Model in actie! / ¡El modelo en acción! / Modelo em ação! /  
Il modello in azione! / Модель в действии! / 模型制作演示! :

<https://www.fischertechnik.de/marblecompetition/tutorials>

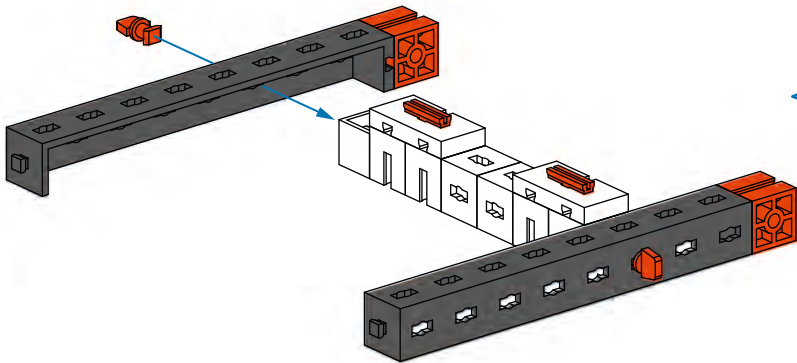
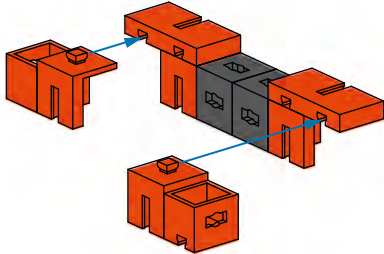


# Race Track 2



**1**

- 1 x [Grey Technic Pin]
- 1 x [Grey Technic Pin]
- 4 x [Orange Technic Pin]
- 2 x [Orange Technic Pin]
- 2 x [Orange Technic Pin]

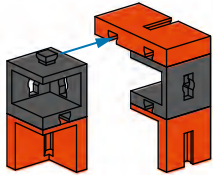


**2**

- 2 x [Grey Technic Beam]
- 2 x [Red Technic Pin]
- 2 x [Orange Technic Pin]
- 2 x [Orange Technic Pin]

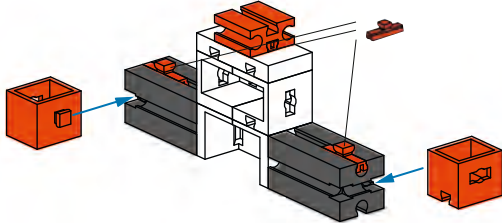
**3**

- 2 x [Grey Technic Pin]
- 2 x [Orange Technic Pin]
- 1 x [Orange Technic Pin]



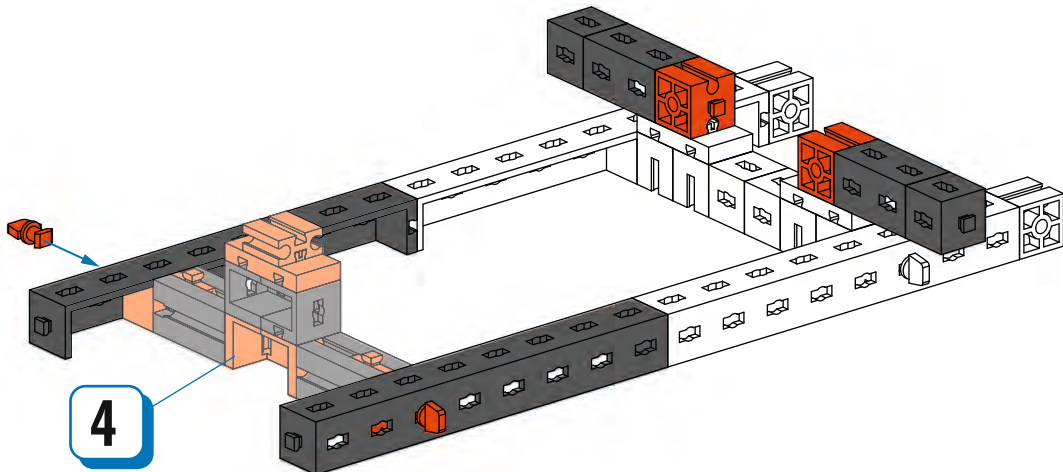
**4**

- 2x (dark grey 1x3 Technic beam)
- 1x (orange 1x2 Technic beam)
- 3x (red 1x1 Technic pin)
- 2x (orange 1x1 Technic Technic brick)



**5**

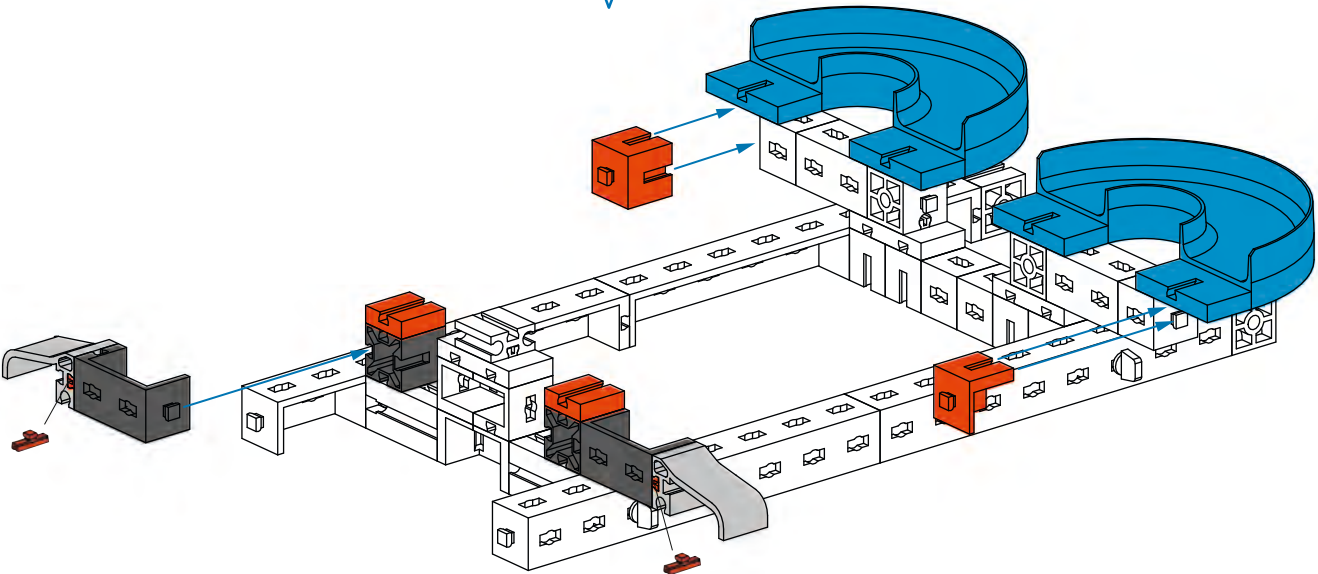
- 2x (dark grey 1x10 Technic beam)
- 2x (dark grey 1x2 Technic Technic brick)
- 2x (red 1x1 Technic pin with a small red tab labeled 'A')
- 2x (dark grey 1x2 Technic Technic brick)
- 2x (orange 1x2 Technic Technic brick)

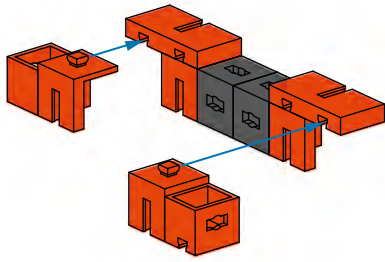


**4**

**6**

- 2x (blue 1x3 Technic Technic arch)
- 2x (orange 1x2 Technic Technic brick)
- 2x (dark grey 1x2 Technic Technic brick)
- 2x (red 1x2 Technic Technic brick)
- 2x (red 1x1 Technic pin)
- 2x (dark grey 1x2 Technic Technic brick)
- 2x (grey 1x2 Technic Technic Technic brick)



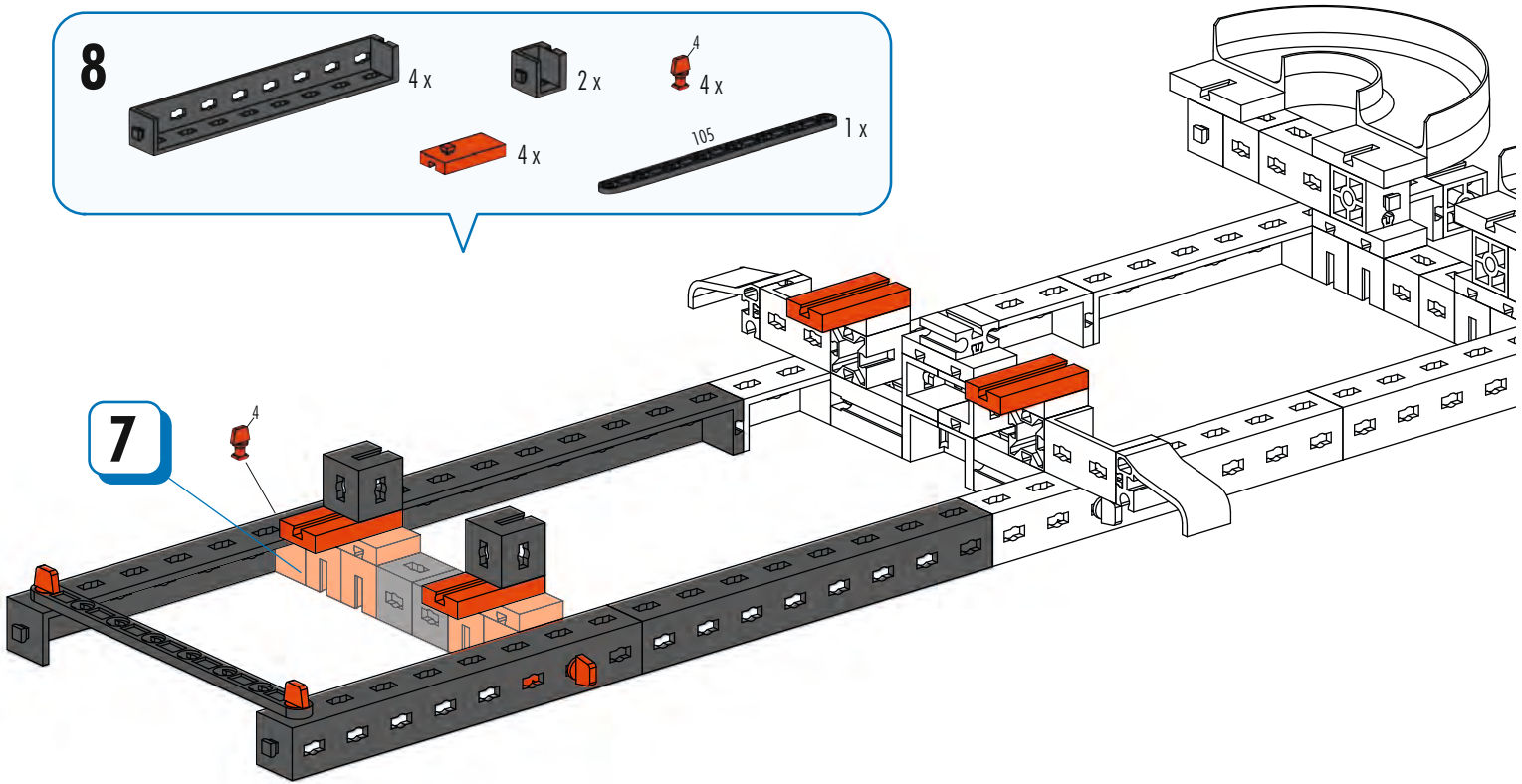


**7**

- 1x [Grey Technic Part]
- 1x [Grey Technic Part]
- 4x [Orange Technic Part]
- 2x [Orange Technic Part]
- 2x [Orange Technic Part]

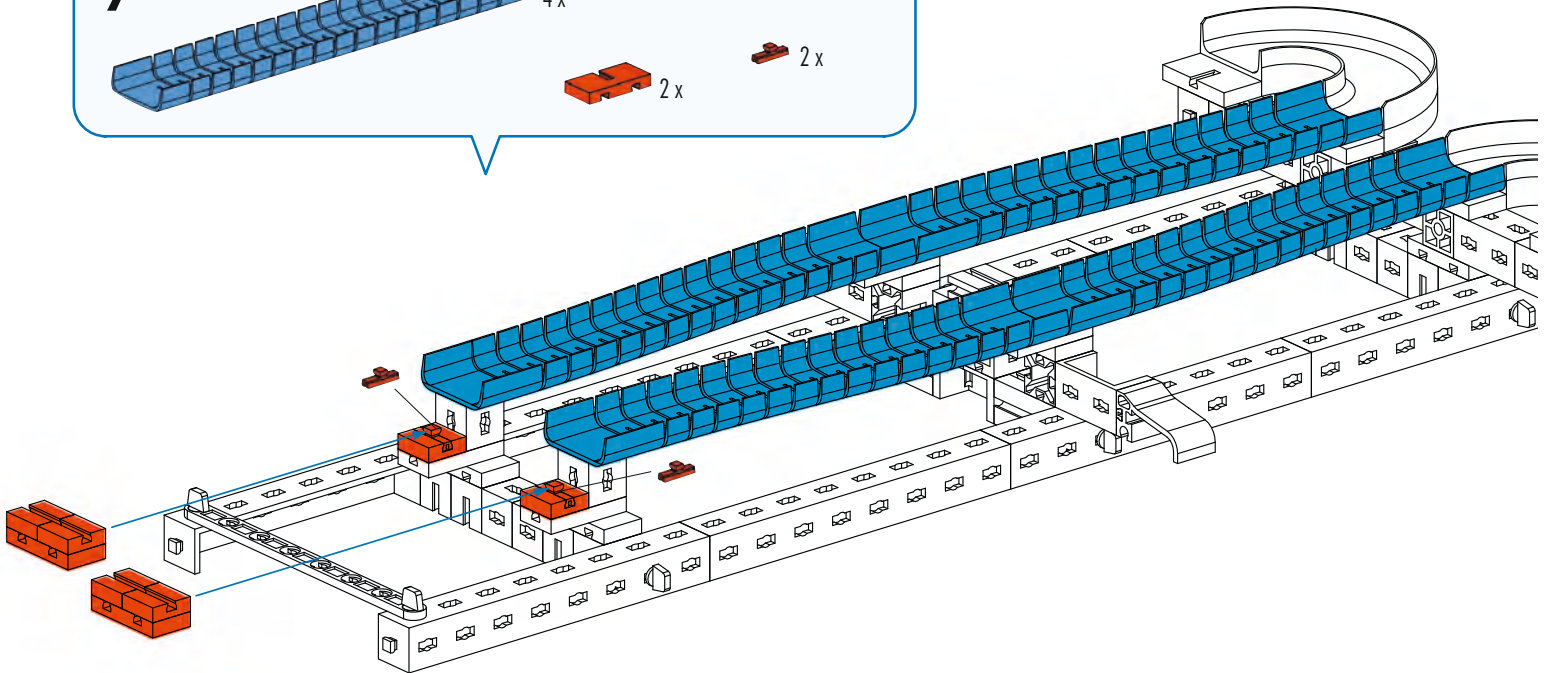
**8**

- 4x [Grey Technic Beam]
- 2x [Grey Technic Part]
- 4x [Red Pin A]
- 4x [Orange Technic Part]
- 1x [Grey Technic Beam 105]



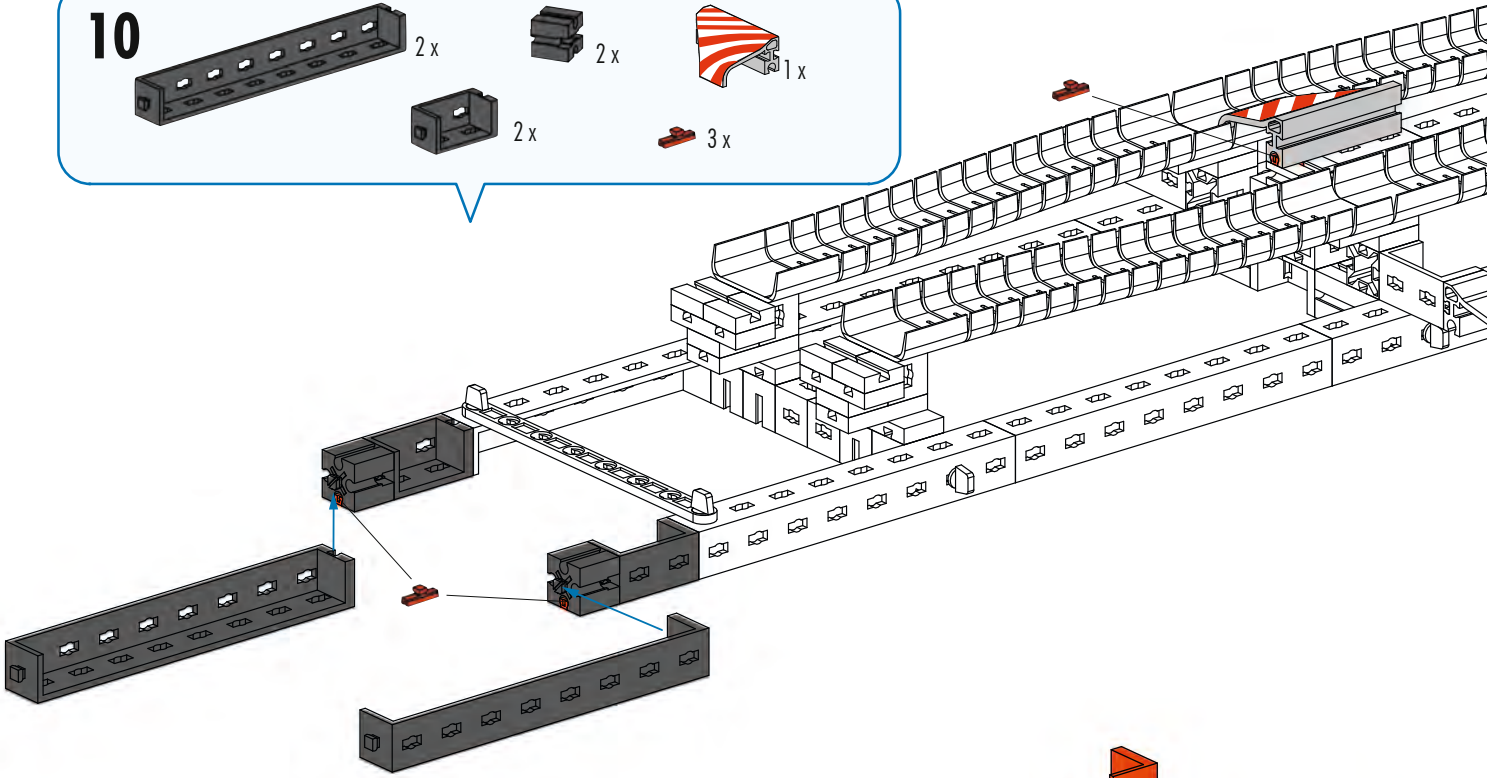
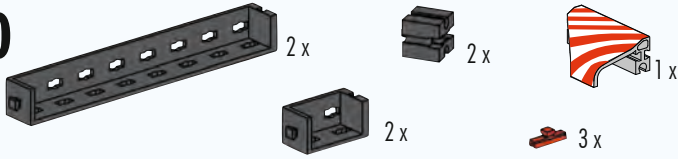
**9**

- 4x [Blue Technic Beam]
- 6x [Orange Technic Part]
- 2x [Orange Technic Part]
- 2x [Red Pin B]

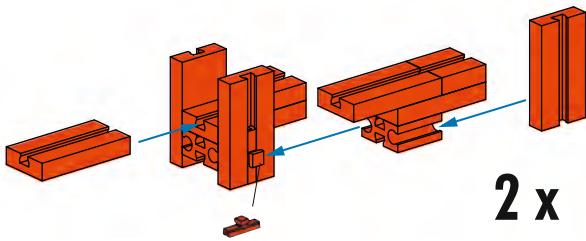
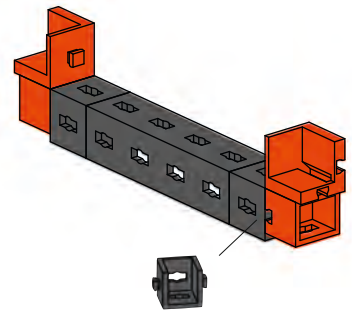
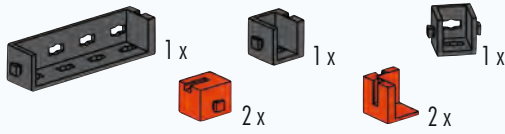




10



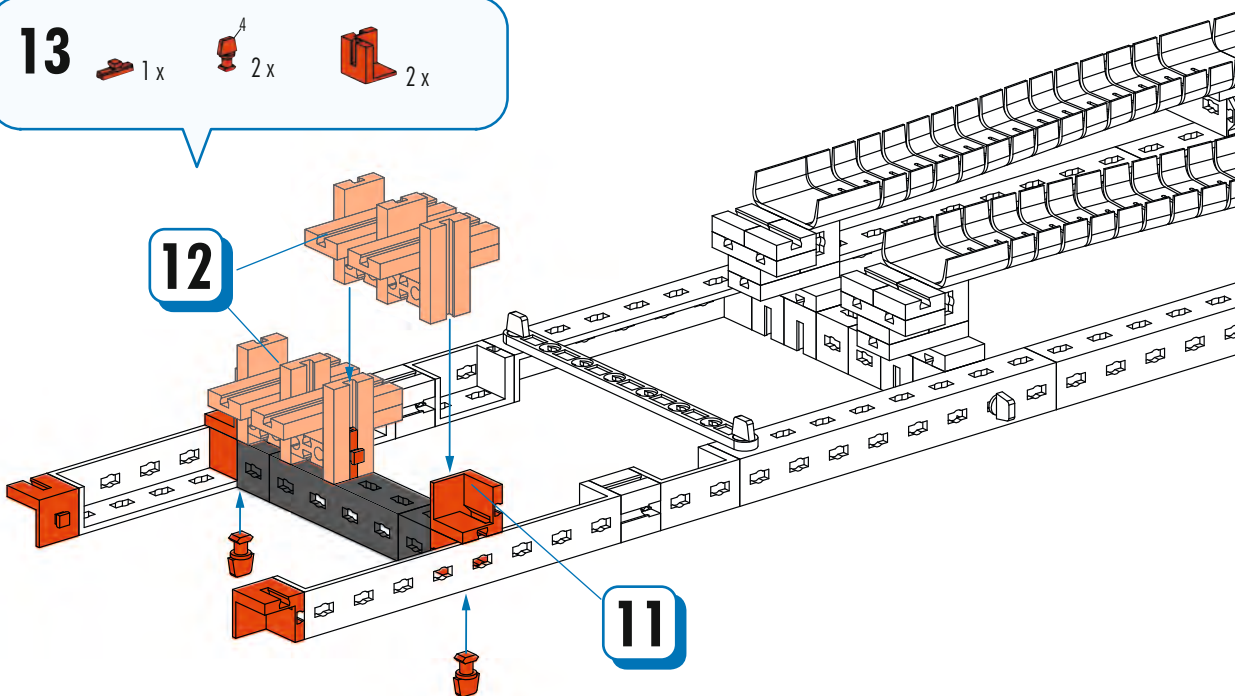
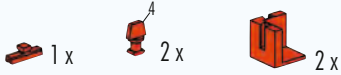
11



12

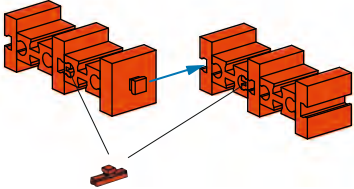


13



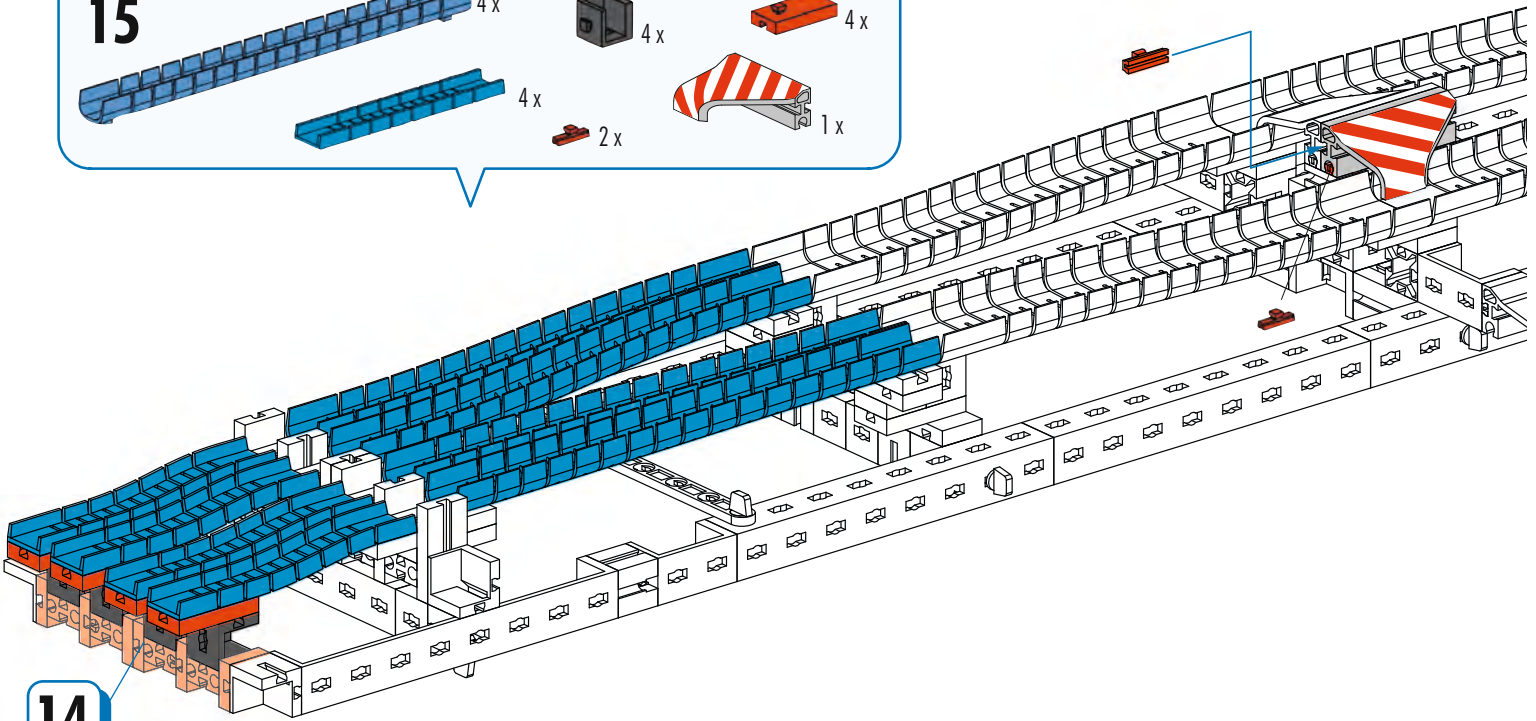
**14**

- 4 x (orange 1x3 Technic brick)
- 5 x (orange 1x2 Technic brick)
- 1 x (orange 1x3 Technic brick with hole)
- 2 x (orange 1x2 Technic brick with hole)



**15**

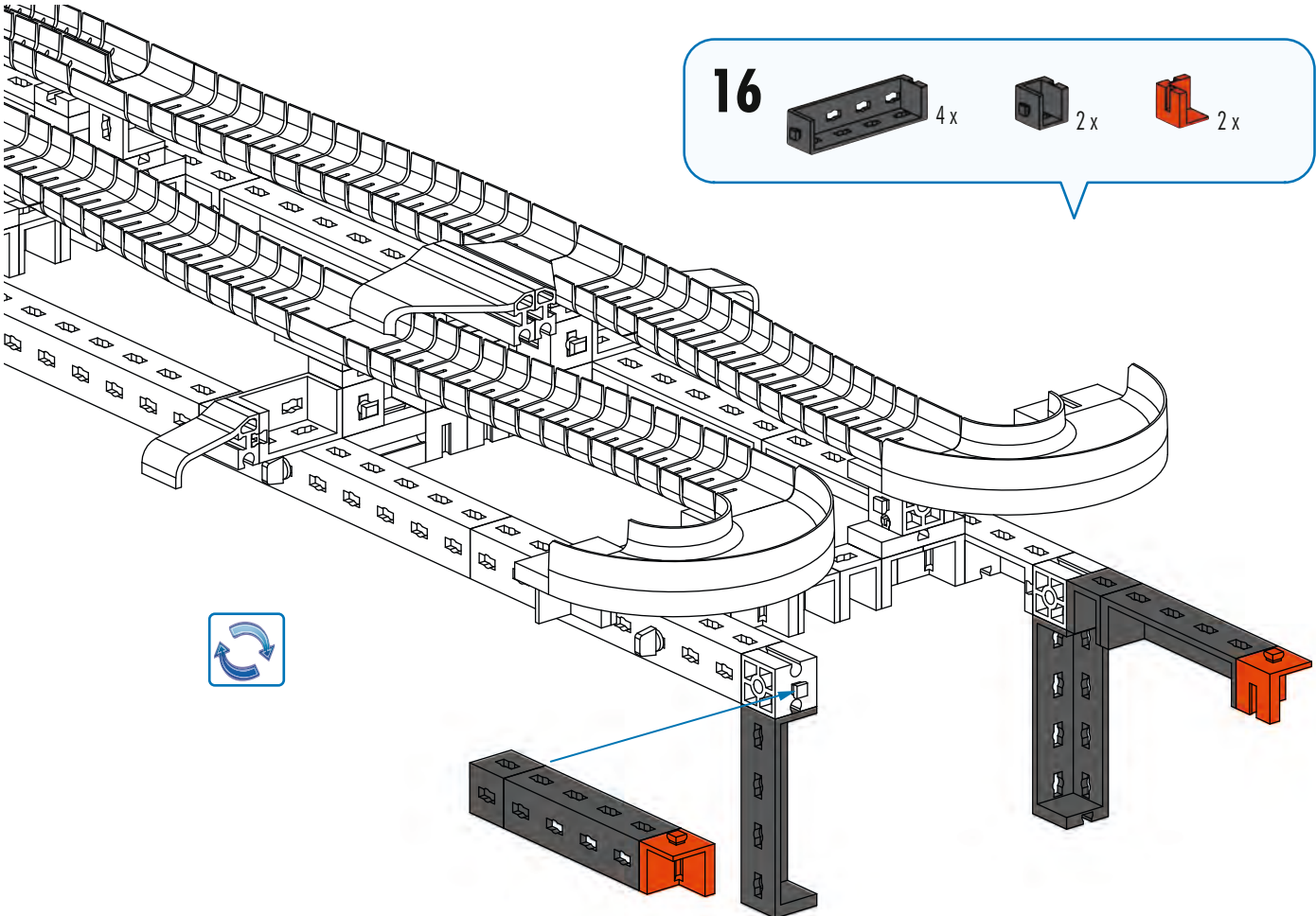
- 4 x (blue 1x10 Technic cable management rail)
- 4 x (blue 1x5 Technic cable management rail)
- 4 x (grey 1x2 Technic Technic connector)
- 2 x (orange 1x2 Technic Technic connector)
- 4 x (orange 1x2 Technic Technic connector)
- 1 x (red and white striped Technic cable management cap)



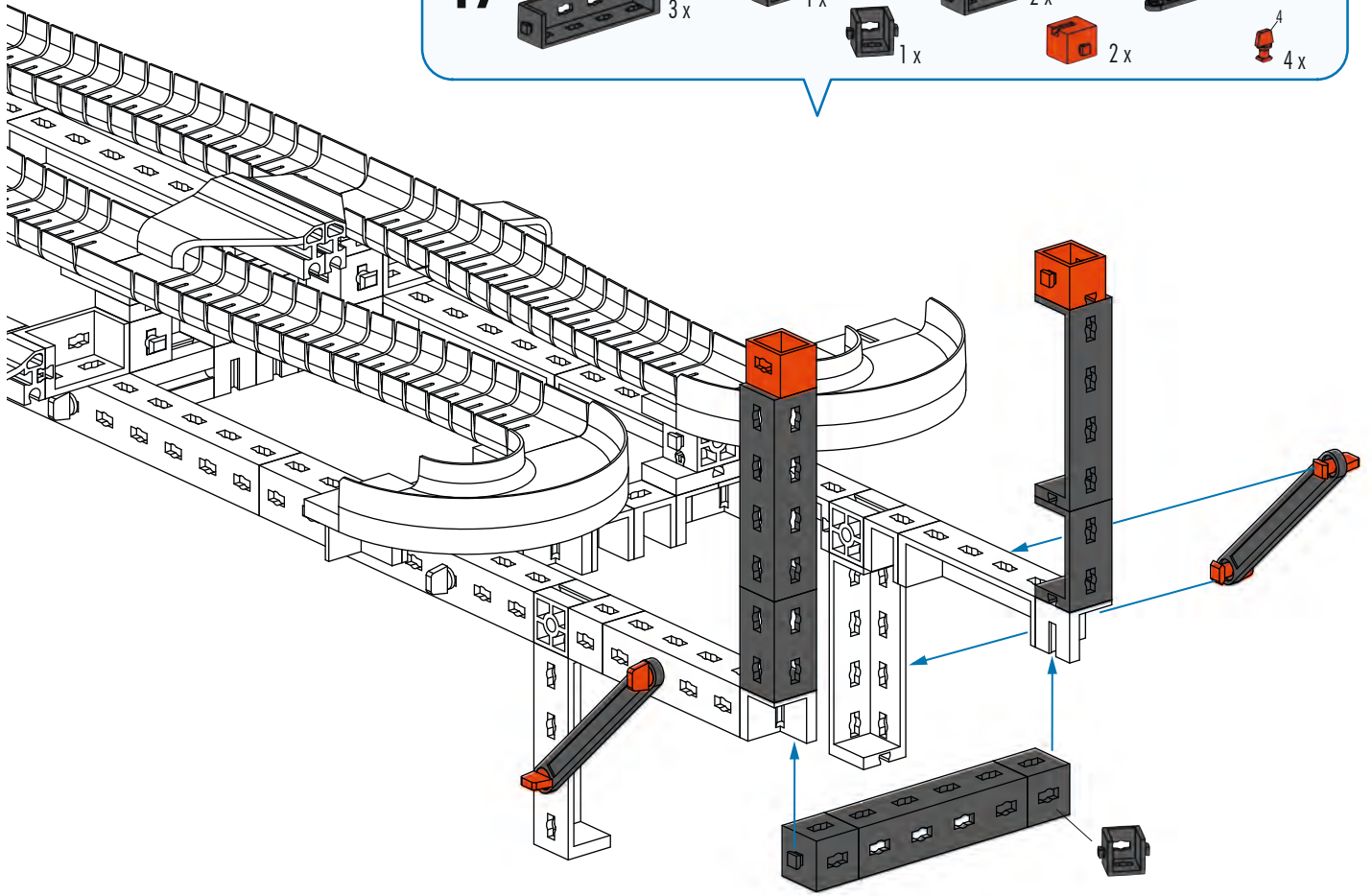
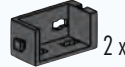
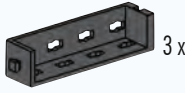
**14**

**16**

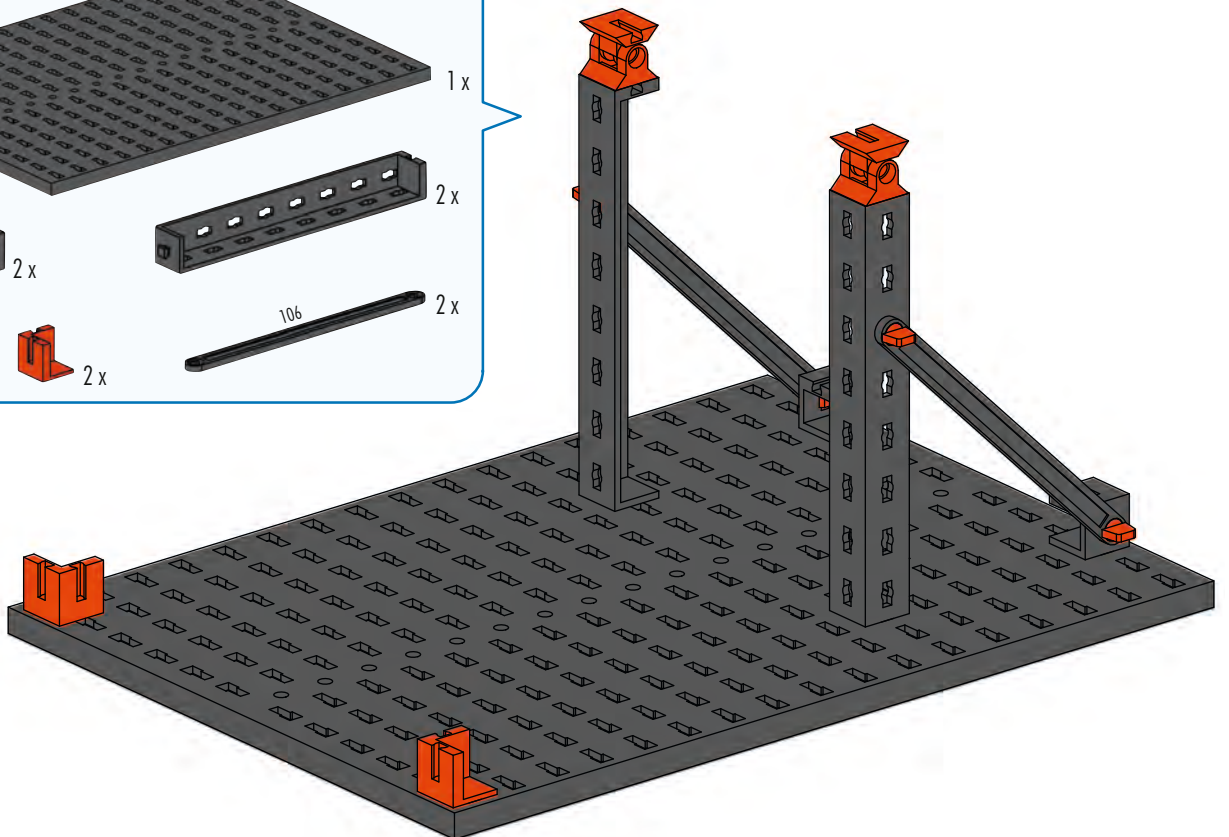
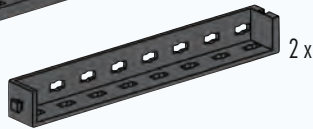
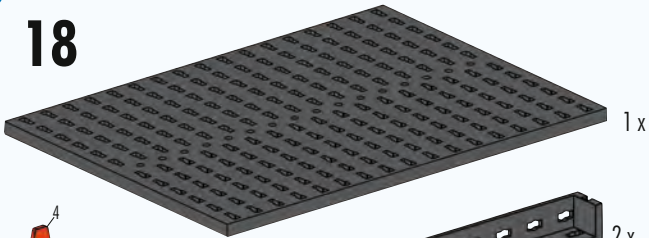
- 4 x (grey 1x10 Technic Technic connector)
- 2 x (grey 1x2 Technic Technic connector)
- 2 x (orange 1x2 Technic Technic connector)



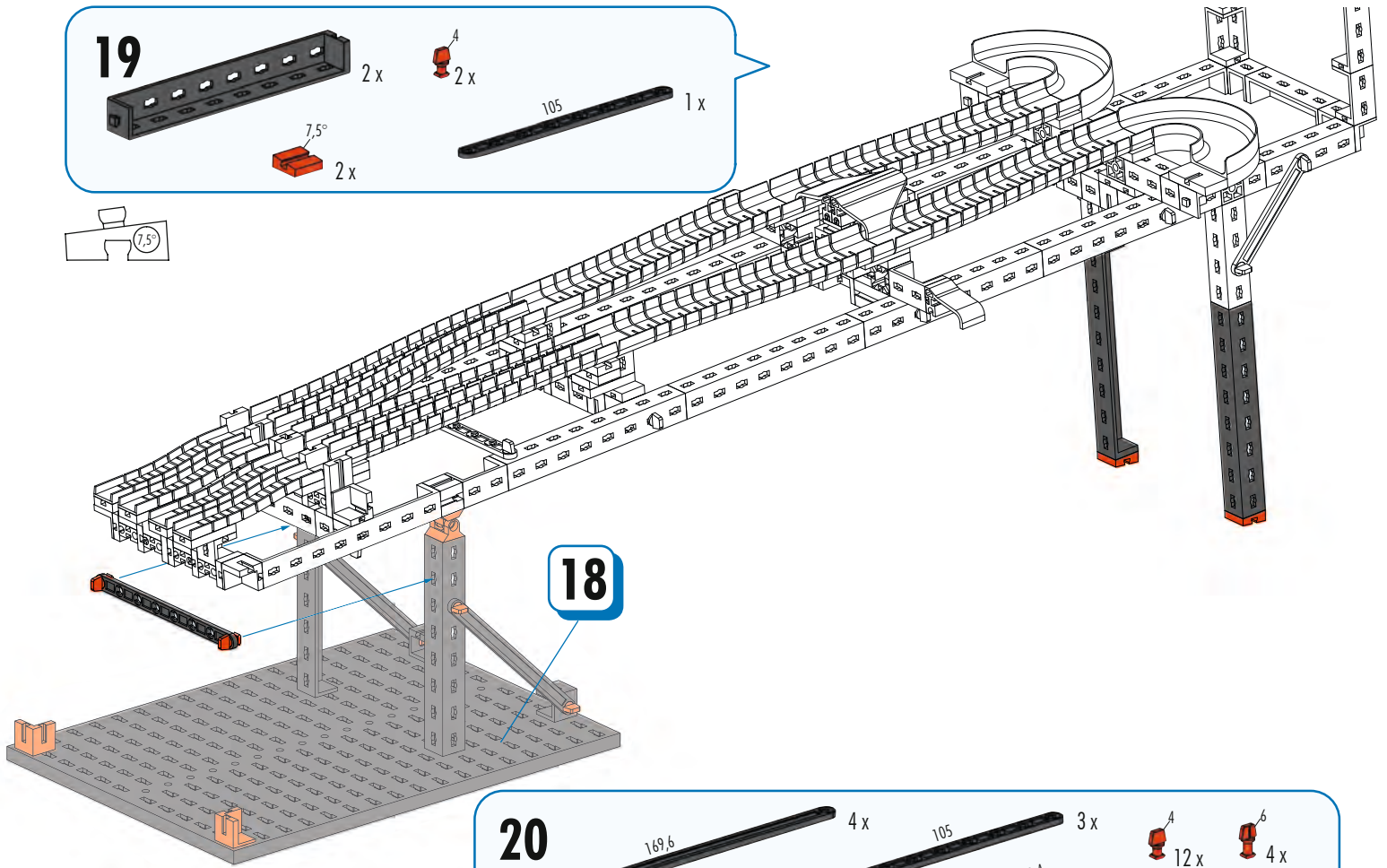
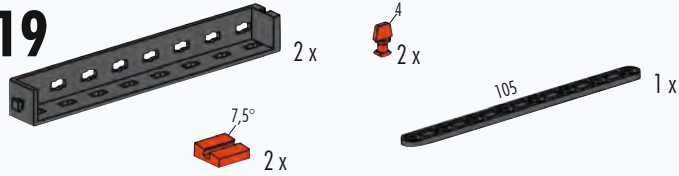
17



18

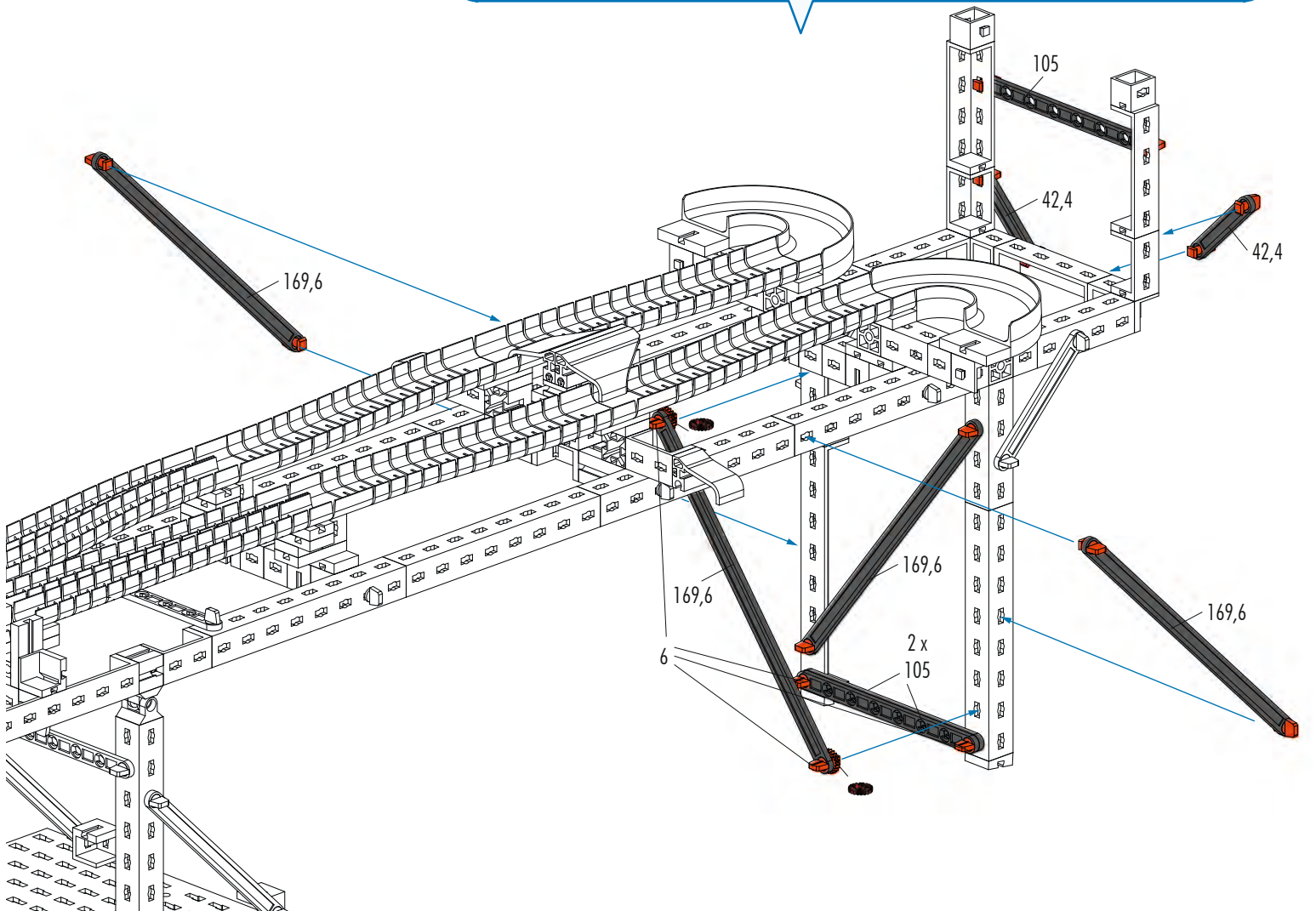


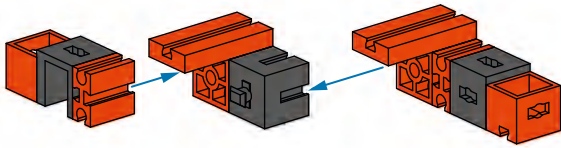
19



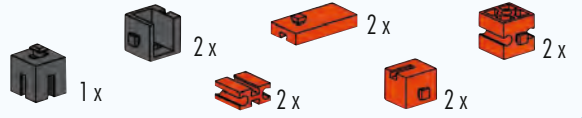
18

20

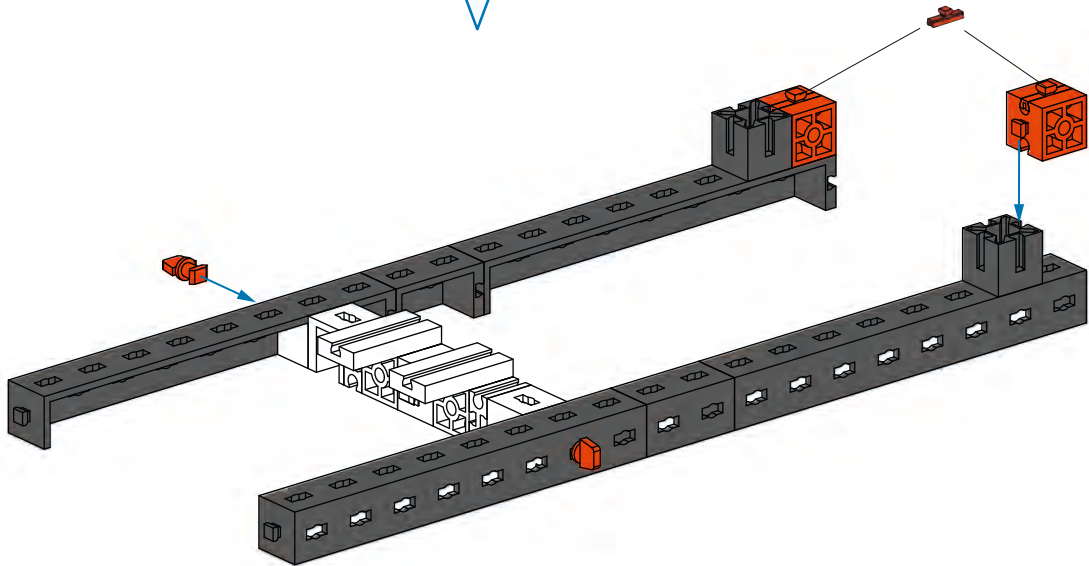
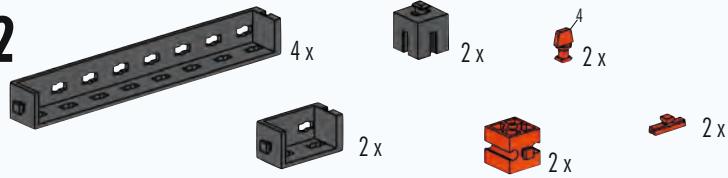




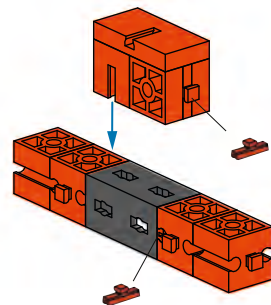
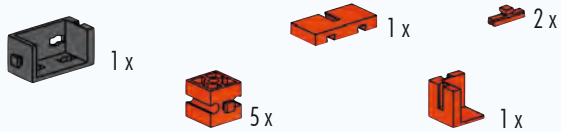
**21**

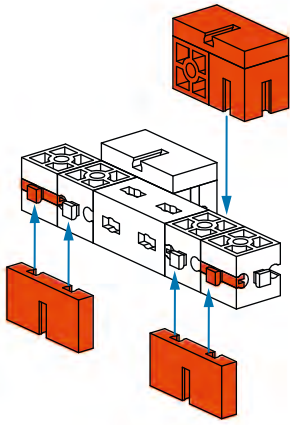


**22**






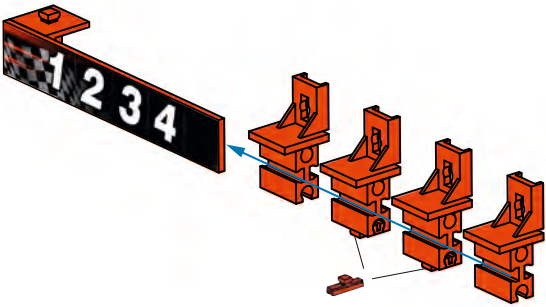
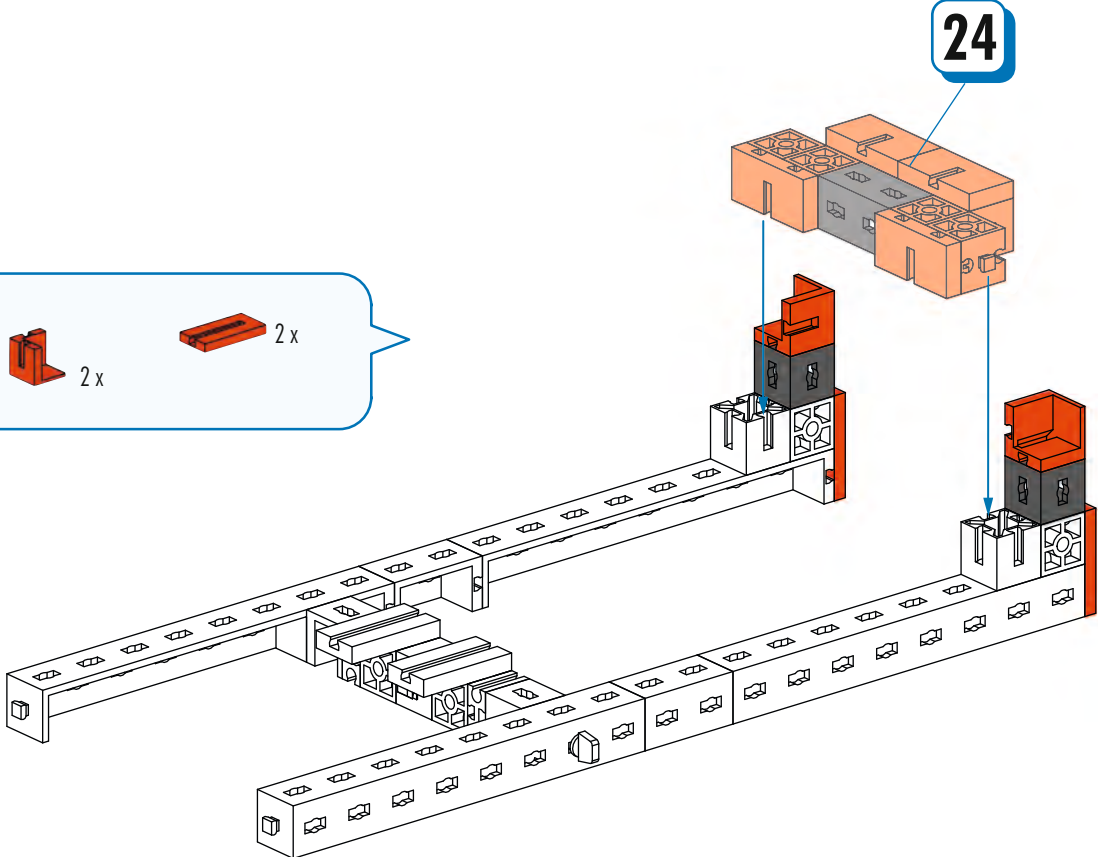
**23**










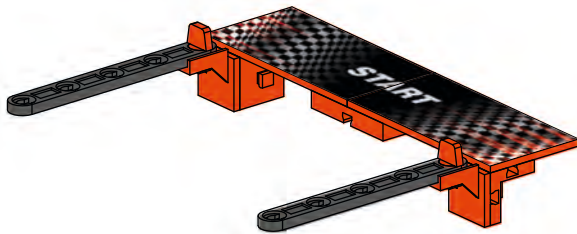
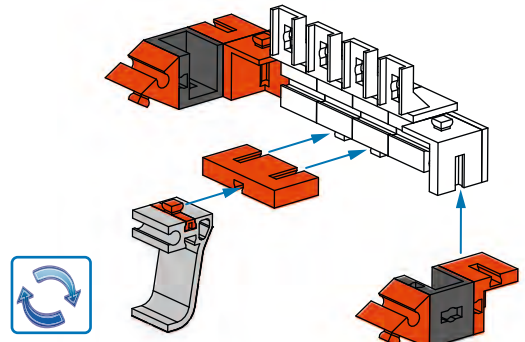
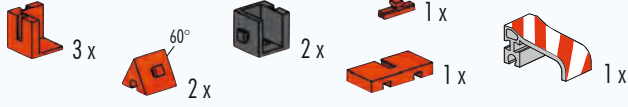
**24**  1x  3x  2x  1x

**25**  2x  2x  2x

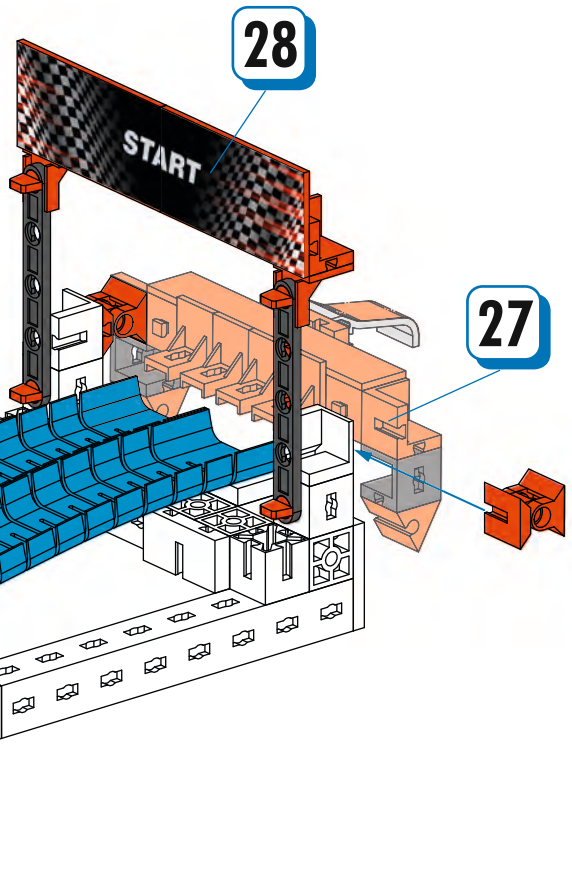
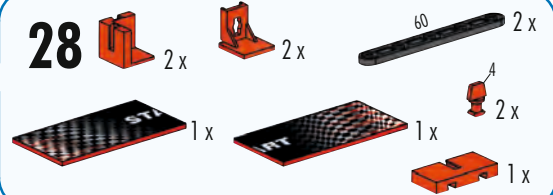


**26**  4x  1x  2x  1x  4x

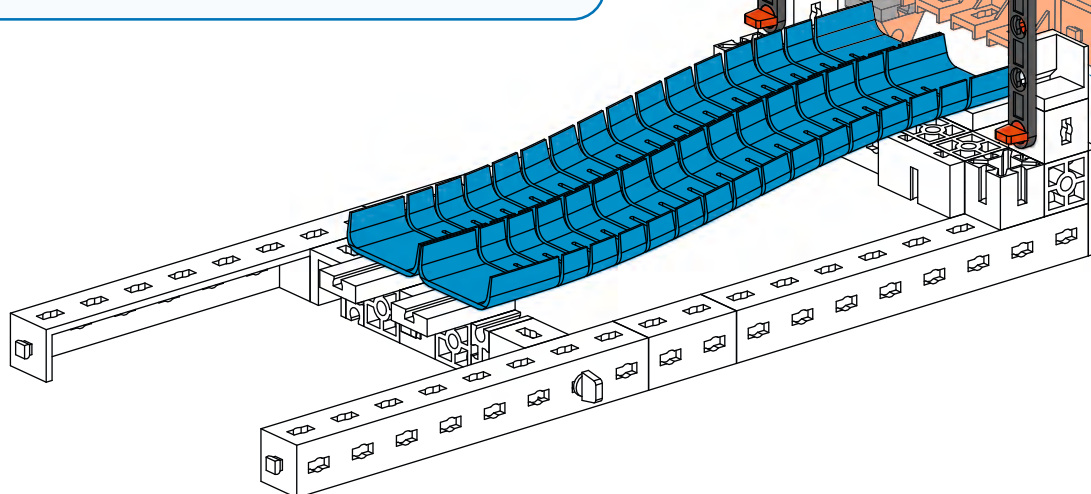
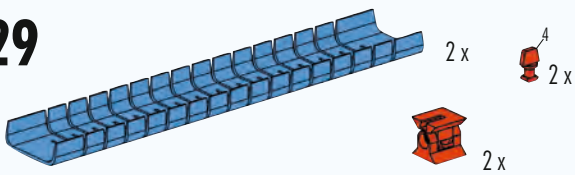
27

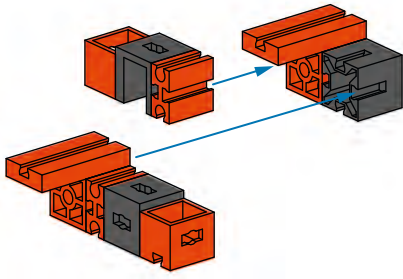







28

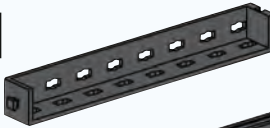






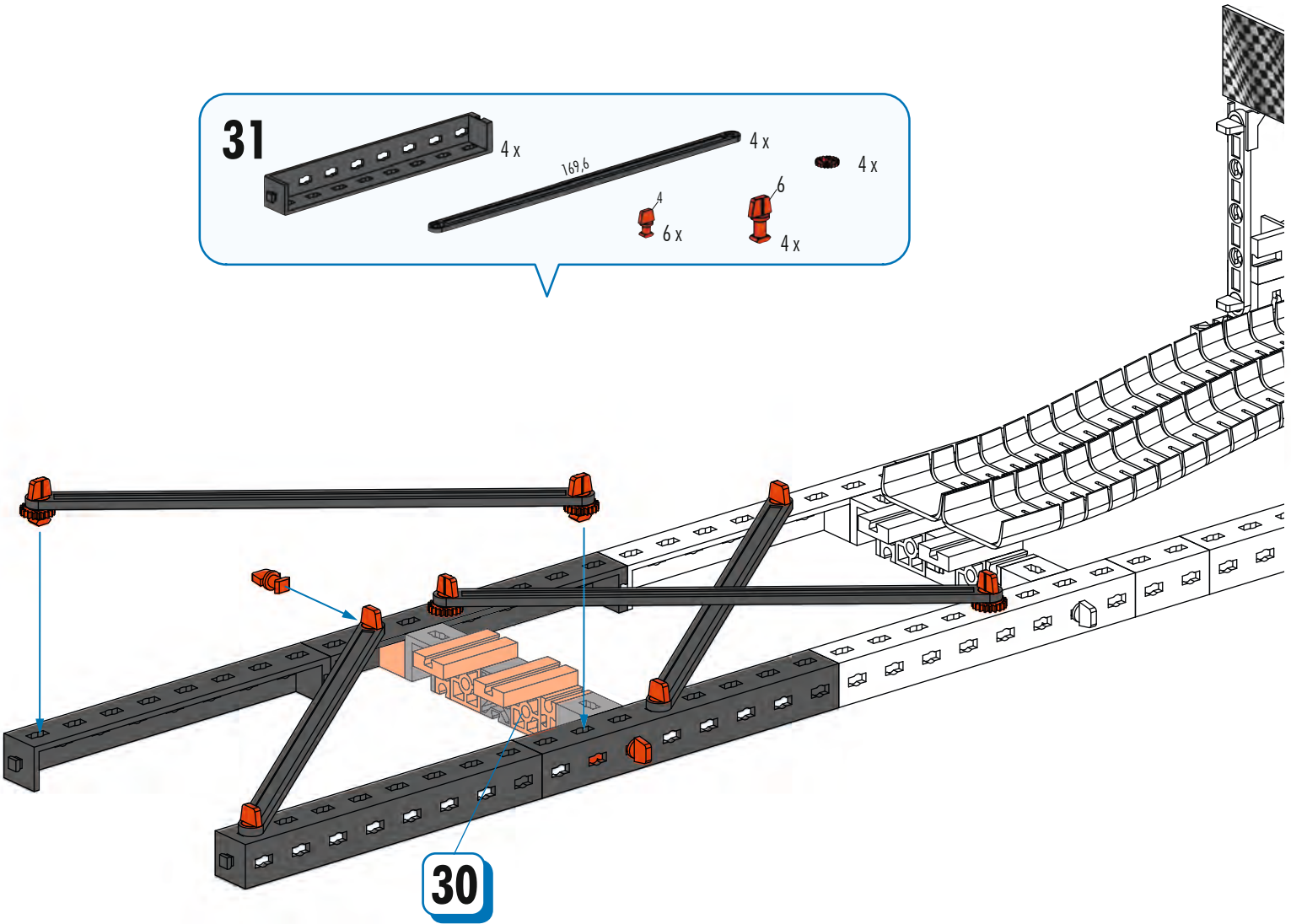
29





**30**  1x  2x  2x  2x  2x

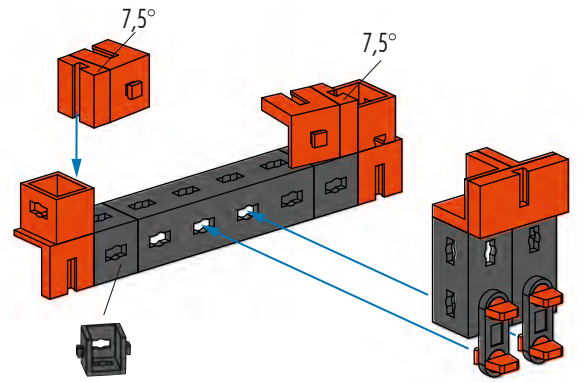
**31**  4x  4x  6x  4x  4x





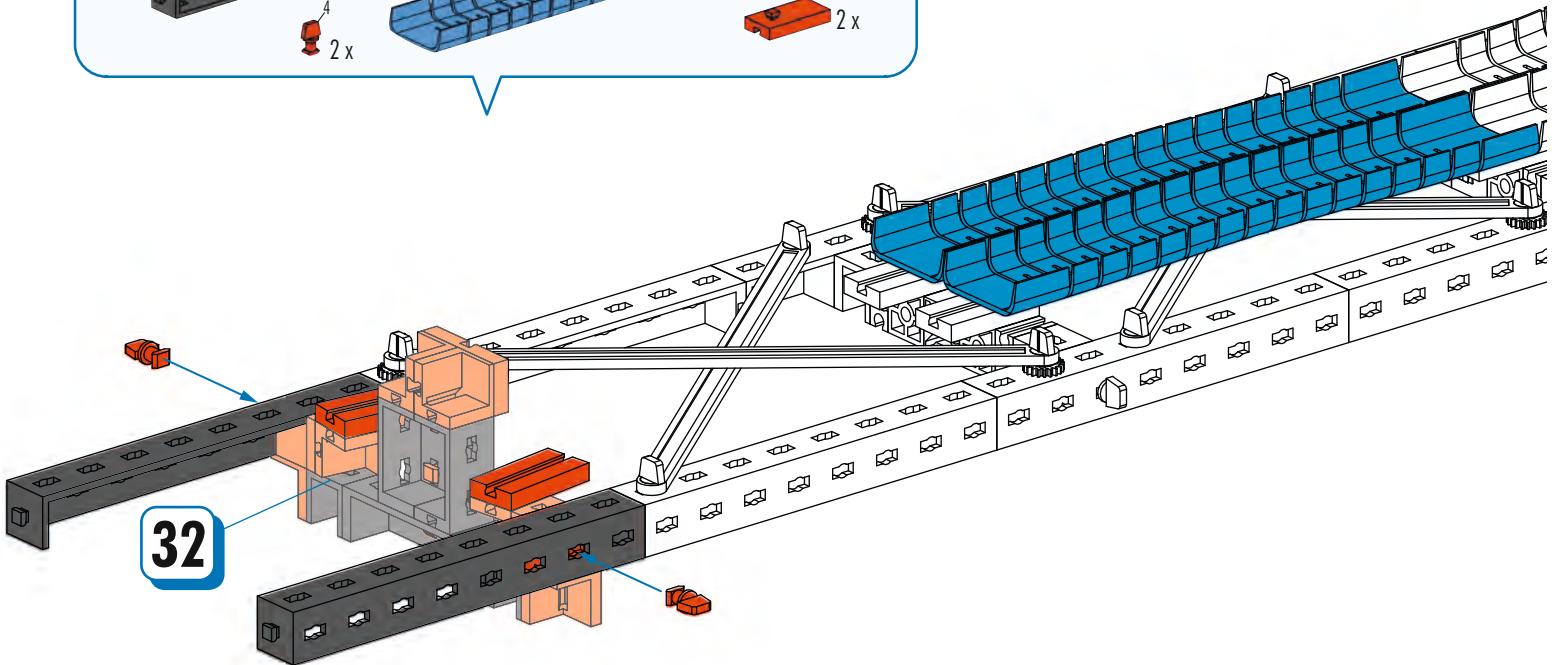
**32**

- 1x [Grey Technic Beam 11-hole]
- 1x [Grey Technic Connector]
- 6x [Orange Technic L-Block]
- 2x [Grey Technic Pin 15]
- 4x [Orange Technic Pin A]
- 2x [Orange Technic Pin 7.5°]
- 2x [Grey Technic Connector]
- 1x [Grey Technic Connector]
- 2x [Orange Technic Connector]
- 1x [Orange Technic Connector]



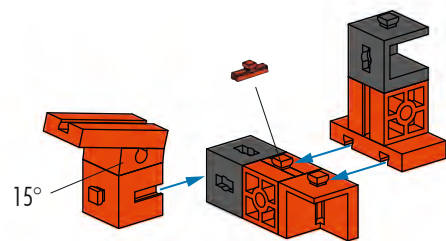
**33**

- 2x [Grey Technic Beam 11-hole]
- 2x [Blue Technic Beam with curved top]
- 2x [Orange Technic Pin A]
- 2x [Orange Technic Pin]

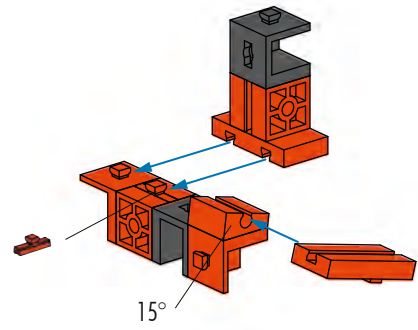
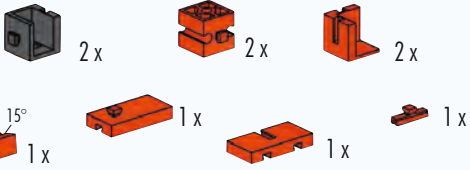


**34**

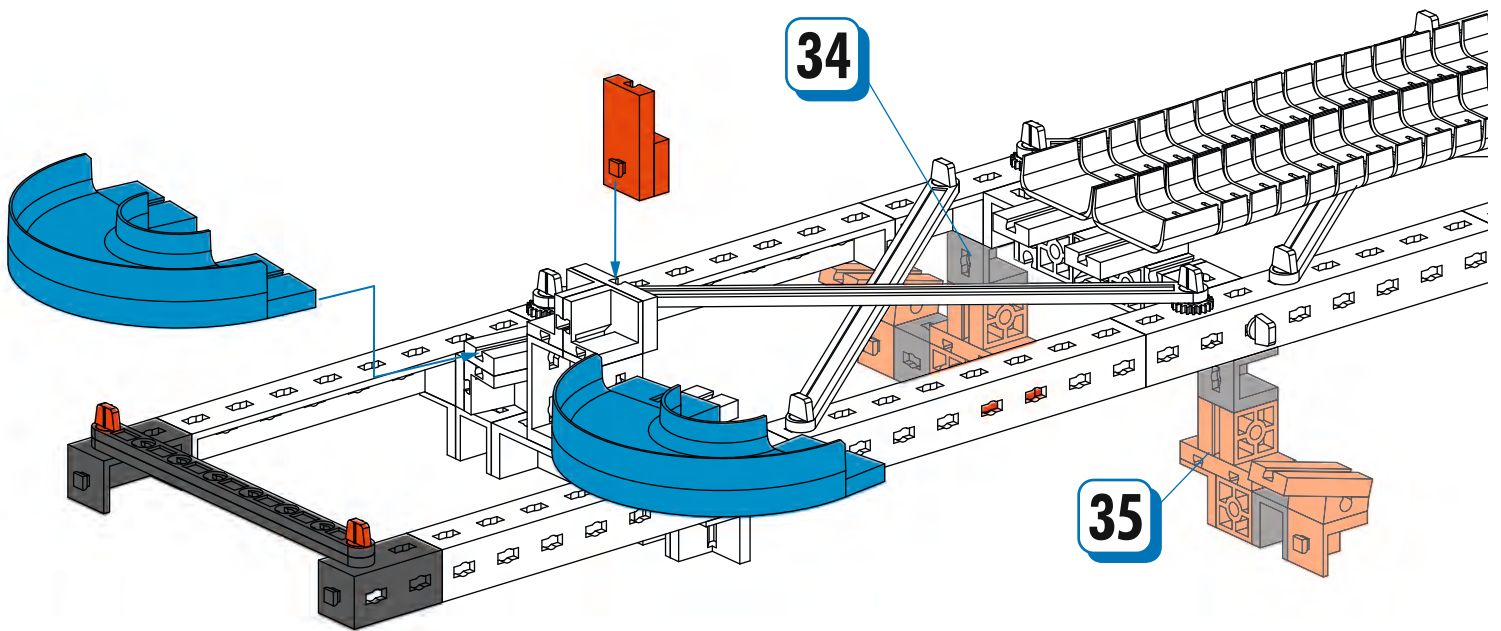
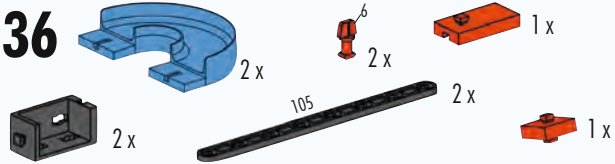
- 2x [Grey Technic Connector]
- 2x [Orange Technic Connector]
- 2x [Orange Technic L-Block]
- 1x [Orange Technic Pin 15°]
- 1x [Orange Technic Pin]
- 1x [Orange Technic Connector]
- 1x [Orange Technic Pin]

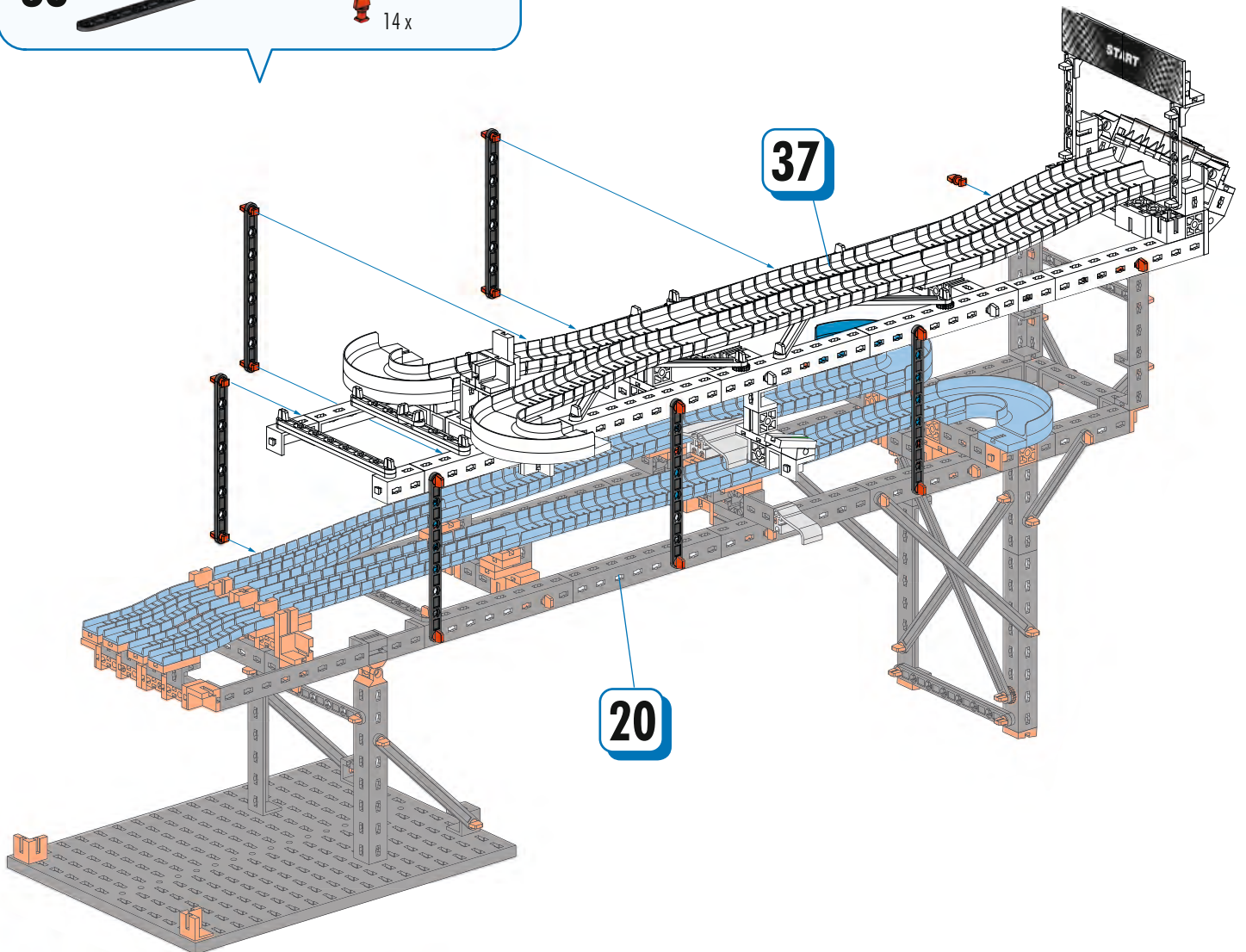
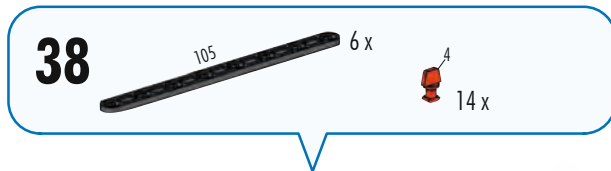
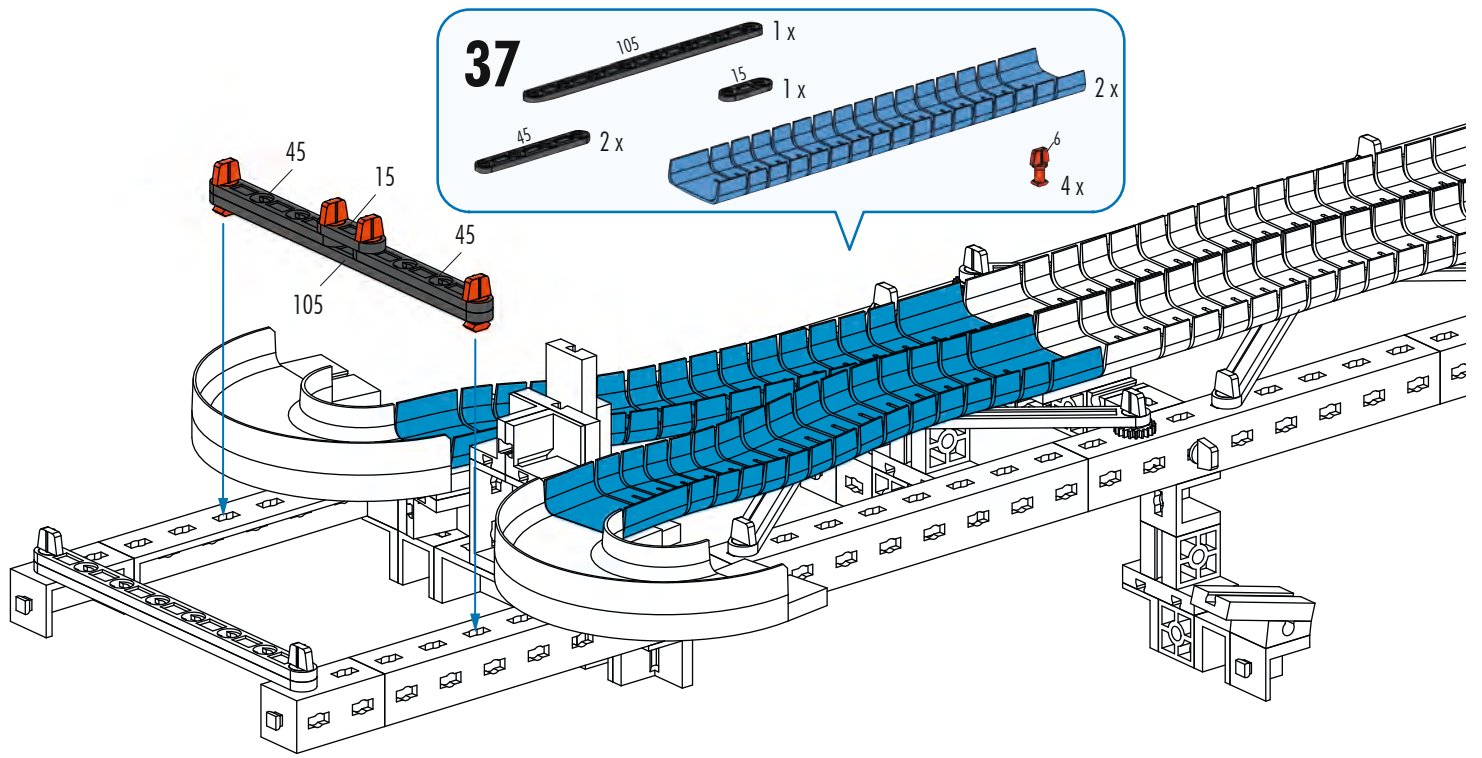


35



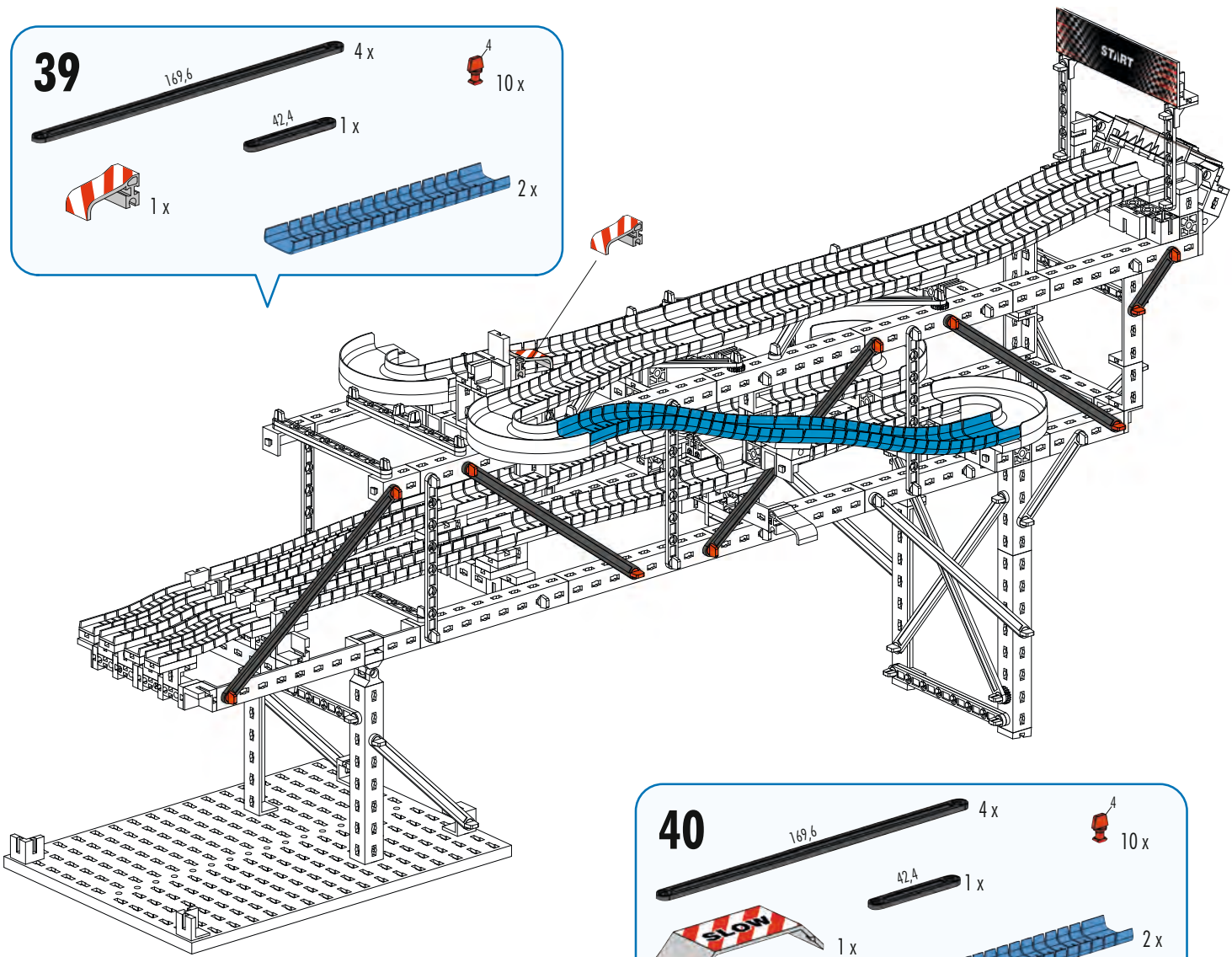
36





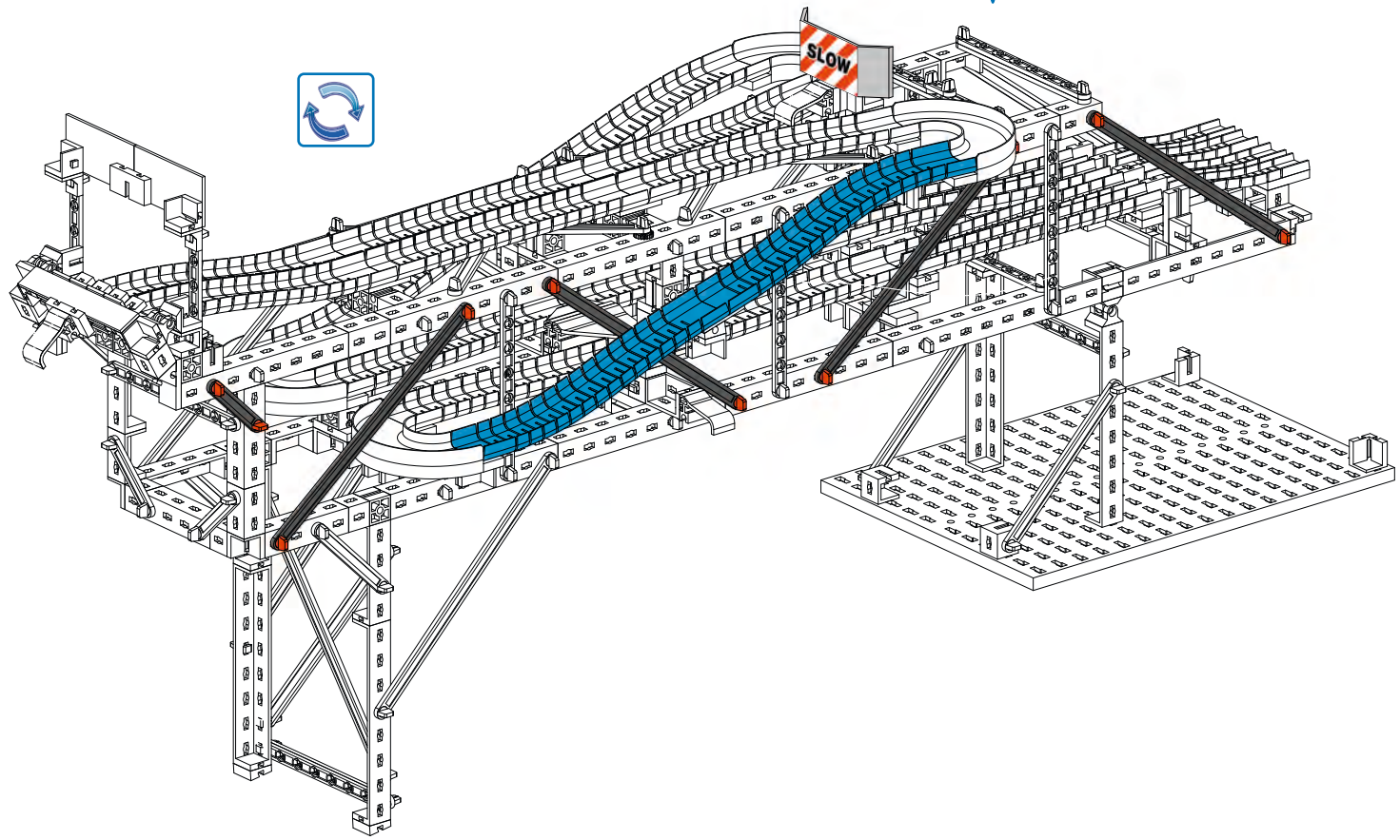
39

- 169,6 4 x
- 42,A 1 x
- 10 x
- 1 x
- 2 x

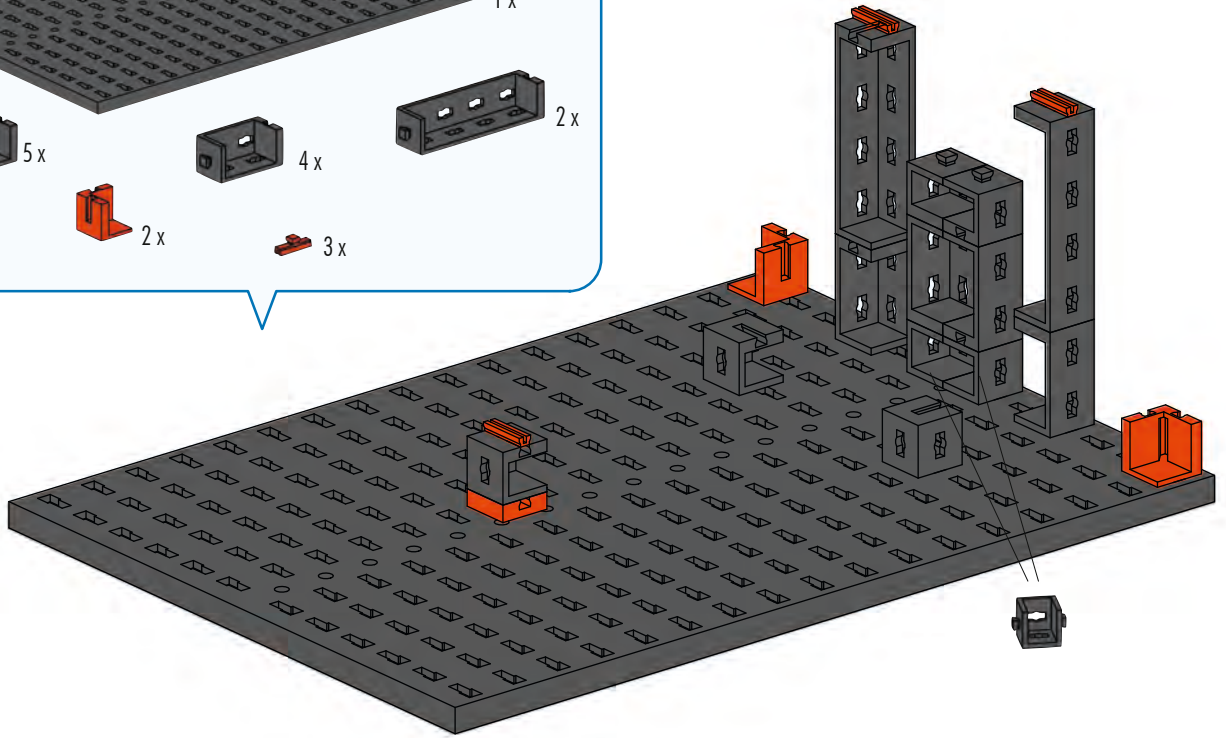
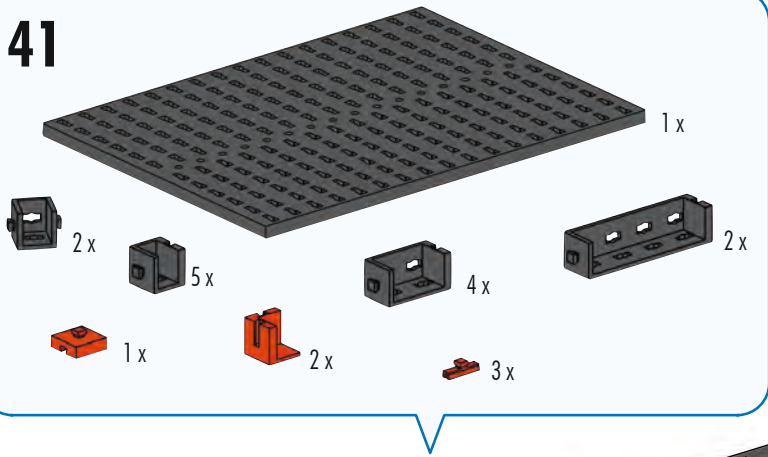


40

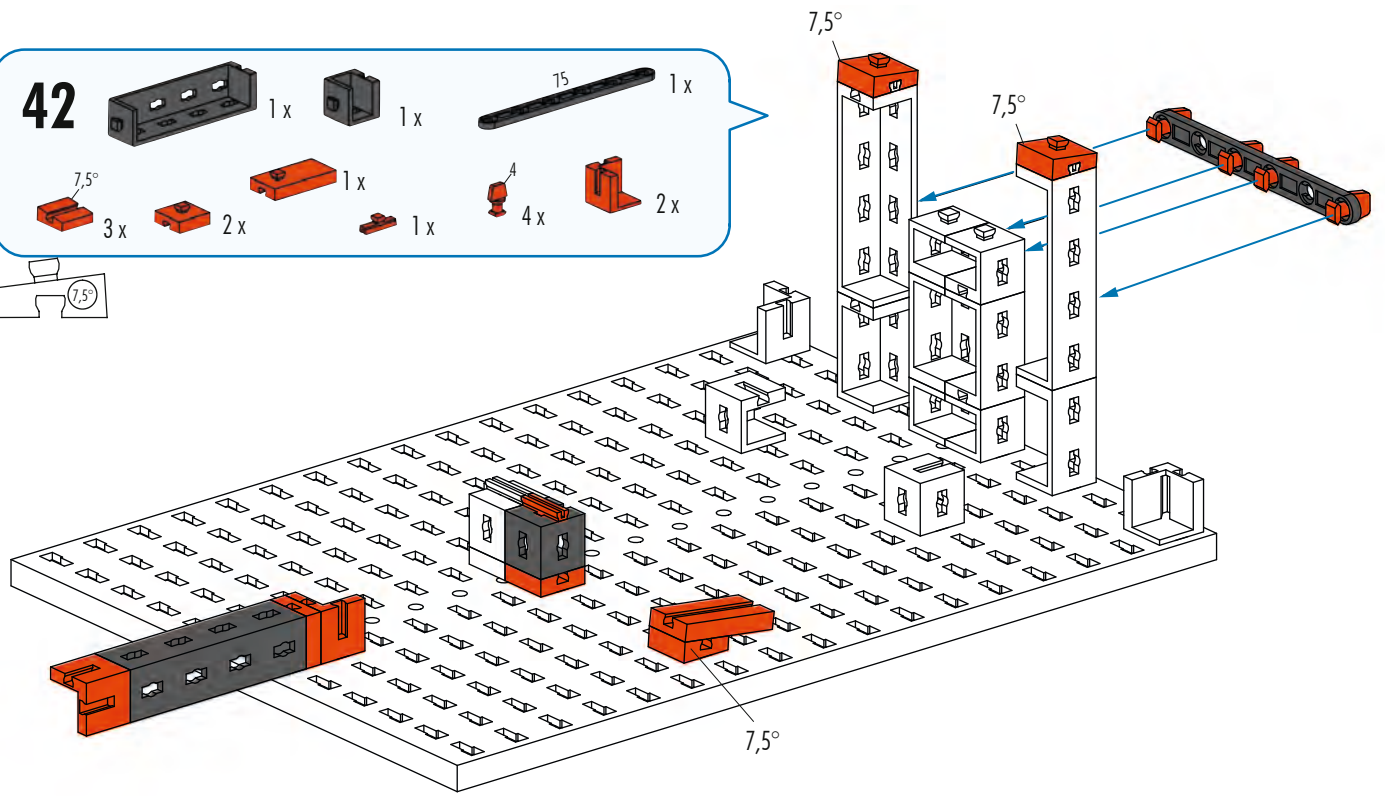
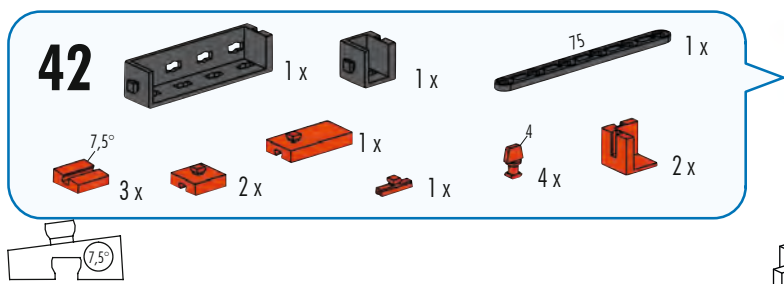
- 169,6 4 x
- 42,A 1 x
- 10 x
- 1 x
- 2 x



41



42



**43**

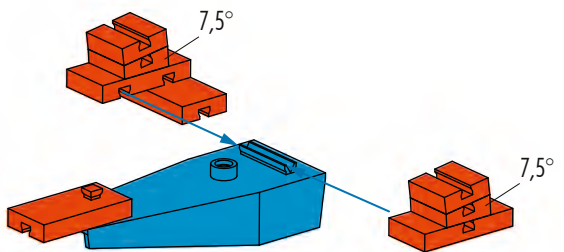
1x (blue angled beam)

2x (orange 1x2 Technic brick with hole)

2x (orange 1x2 Technic brick with hole and 7.5° slope)

2x (orange 1x2 Technic brick with hole)

2x (orange 1x2 Technic brick with hole)



**44**

1x (black 1x6 Technic beam)

1x (orange 1x2 Technic brick with hole)

63,6 (black axle)

2x (black axle pins)

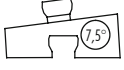
1x (orange 1x2 Technic brick with hole and 7.5° slope)

1x (orange 1x2 Technic brick with hole)

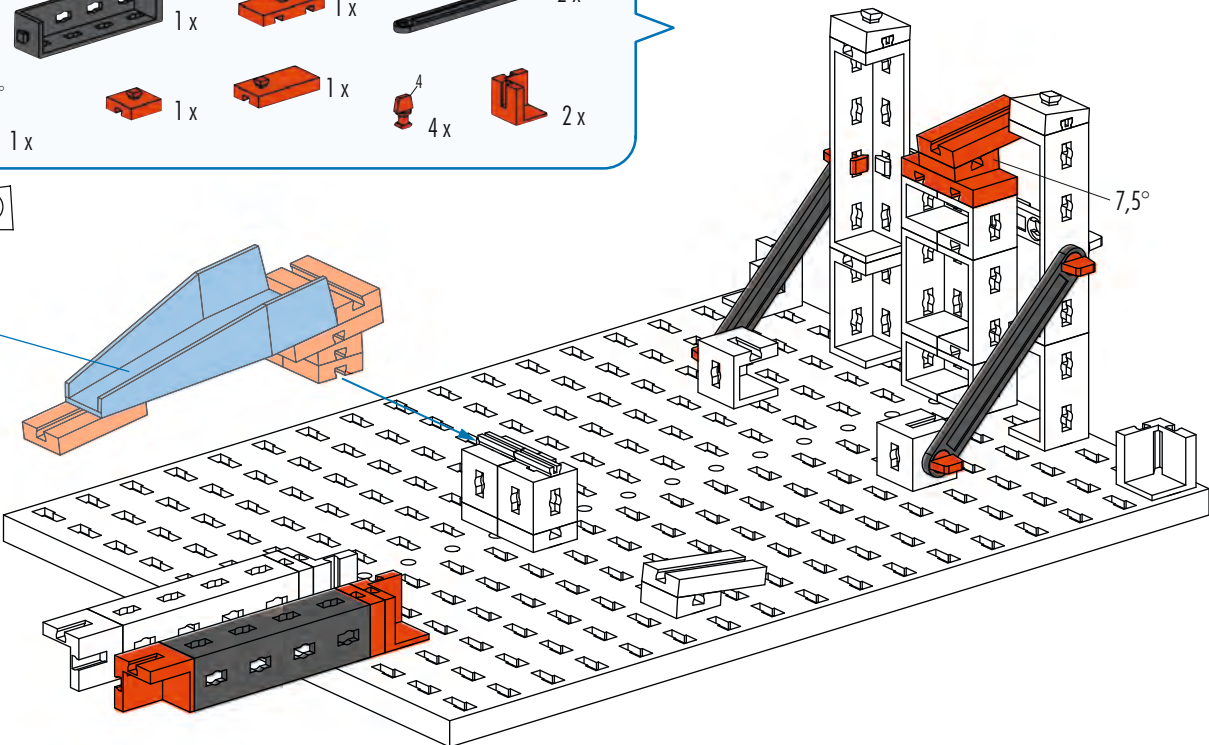
1x (orange 1x2 Technic brick with hole)

4x (red pins)

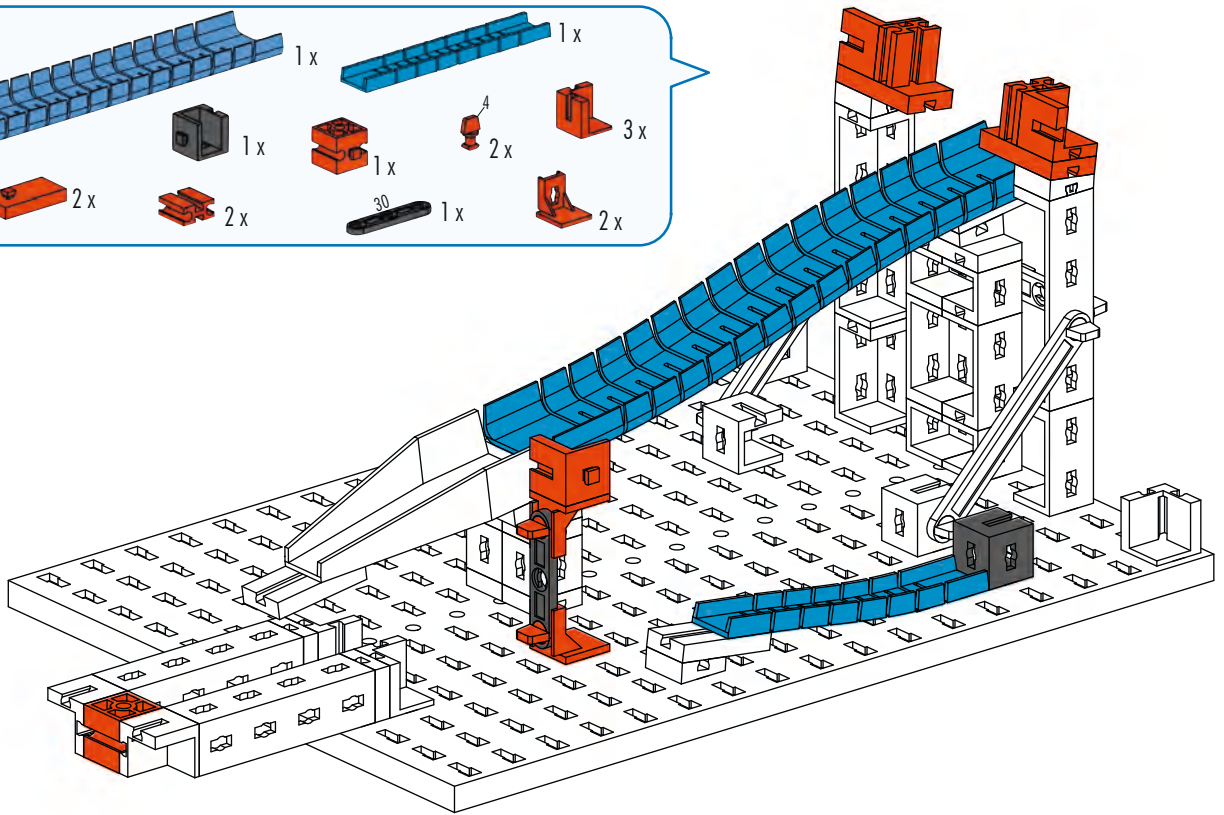
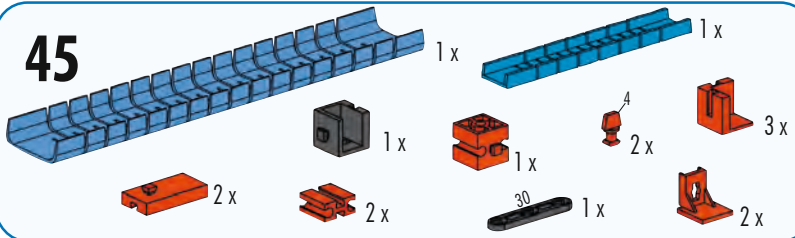
2x (orange 1x2 Technic brick with hole)



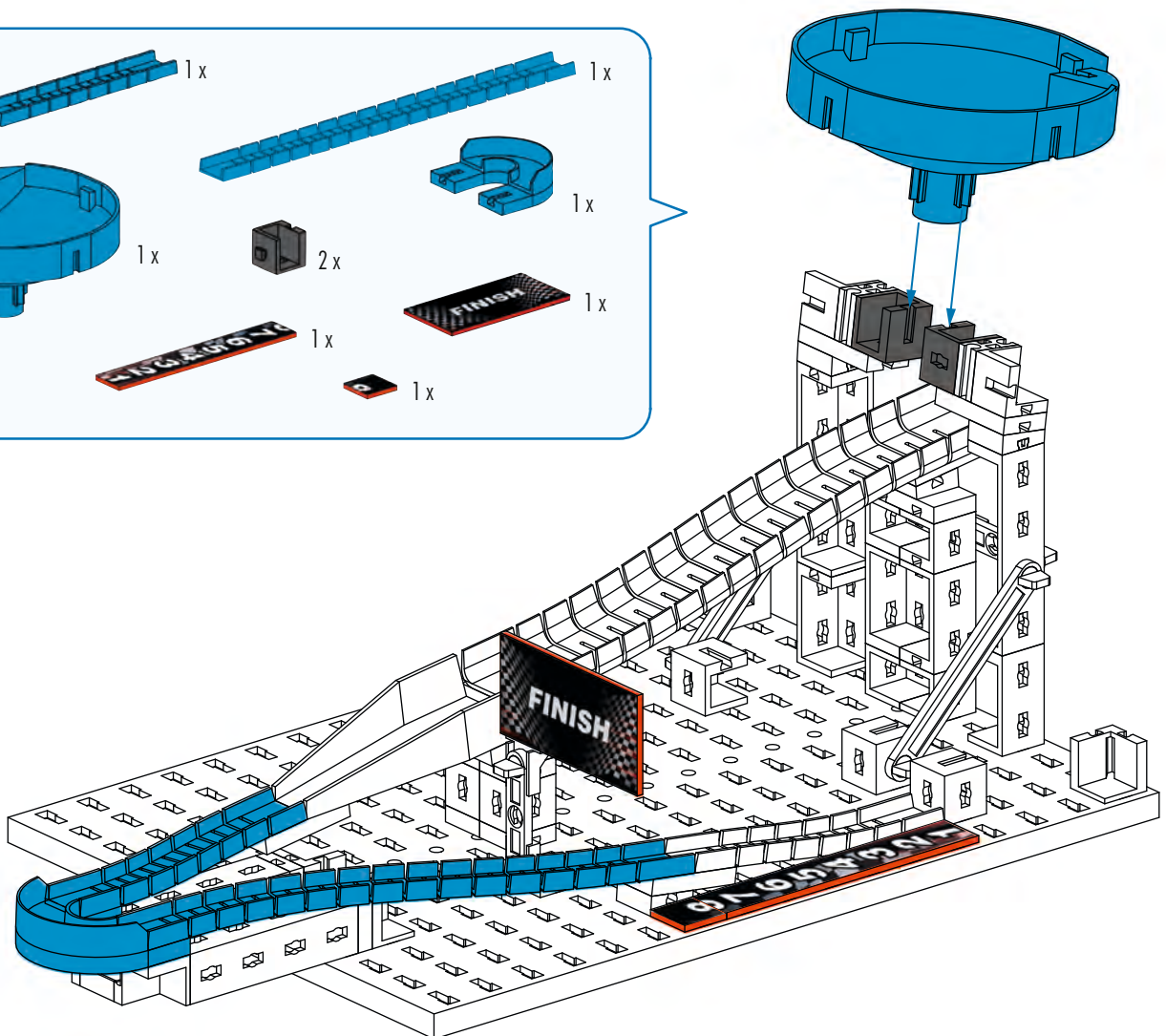
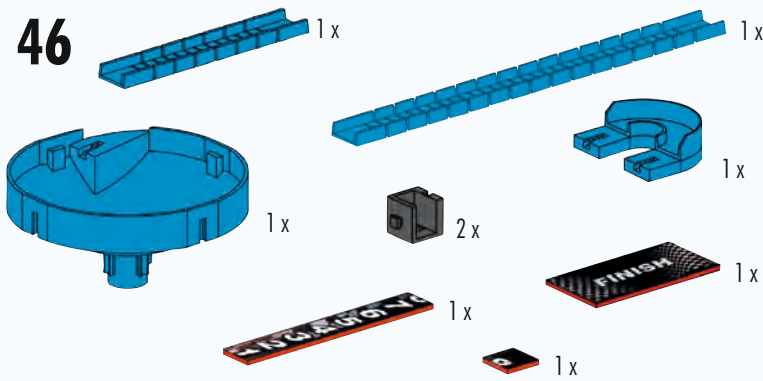
**43**



45



46

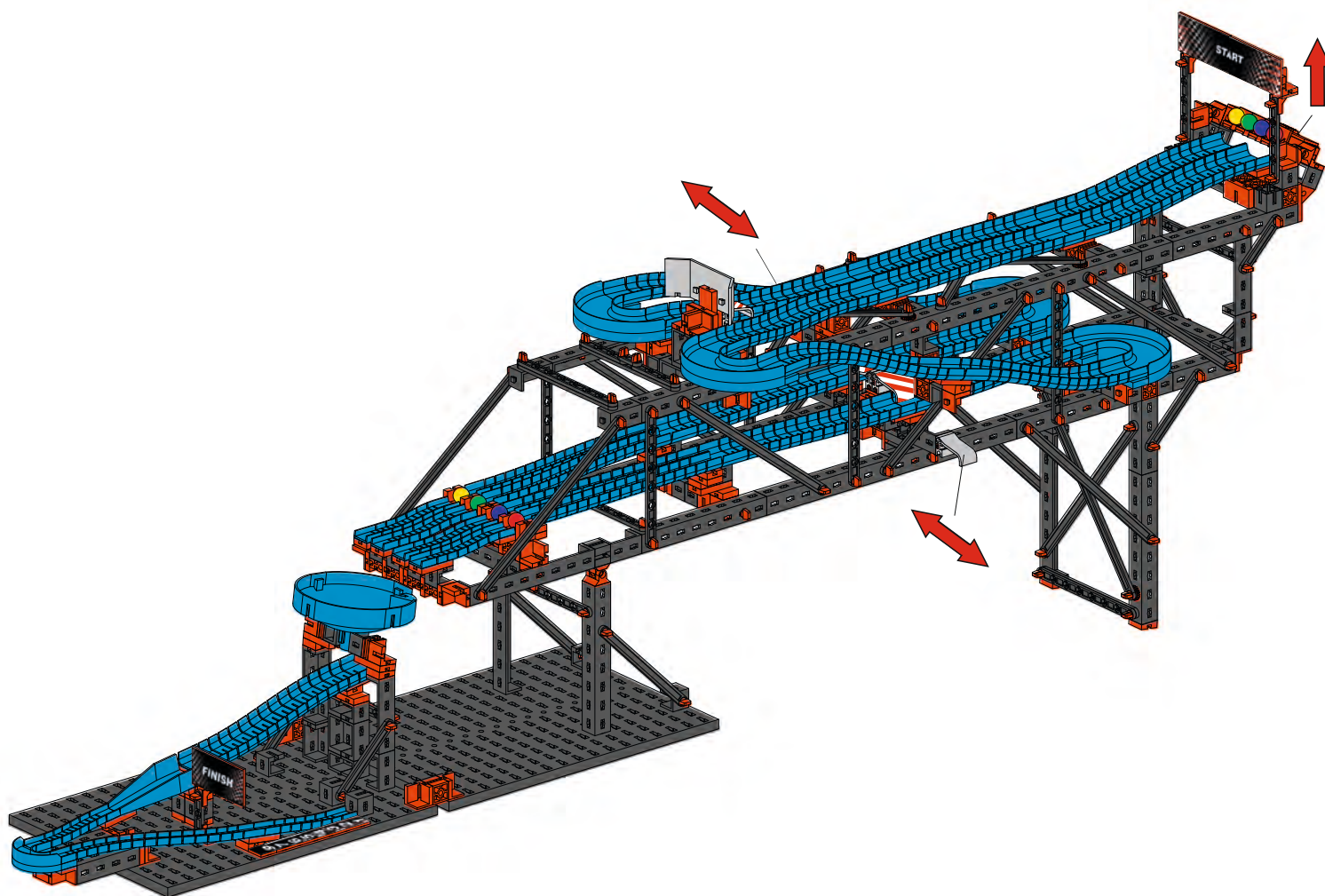
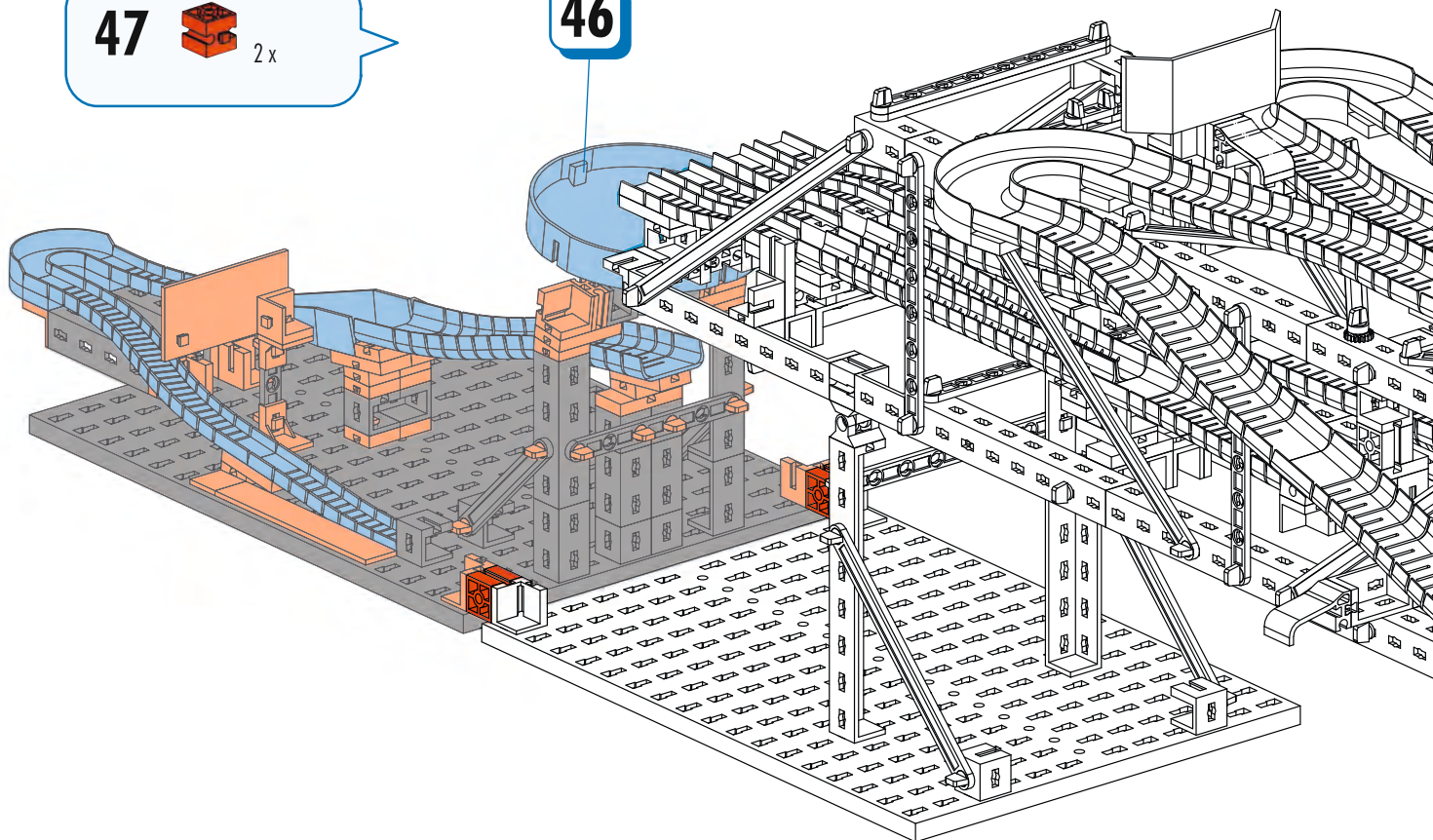


47



2x

46



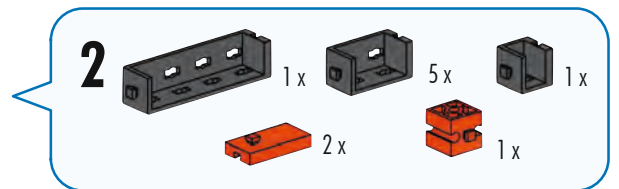
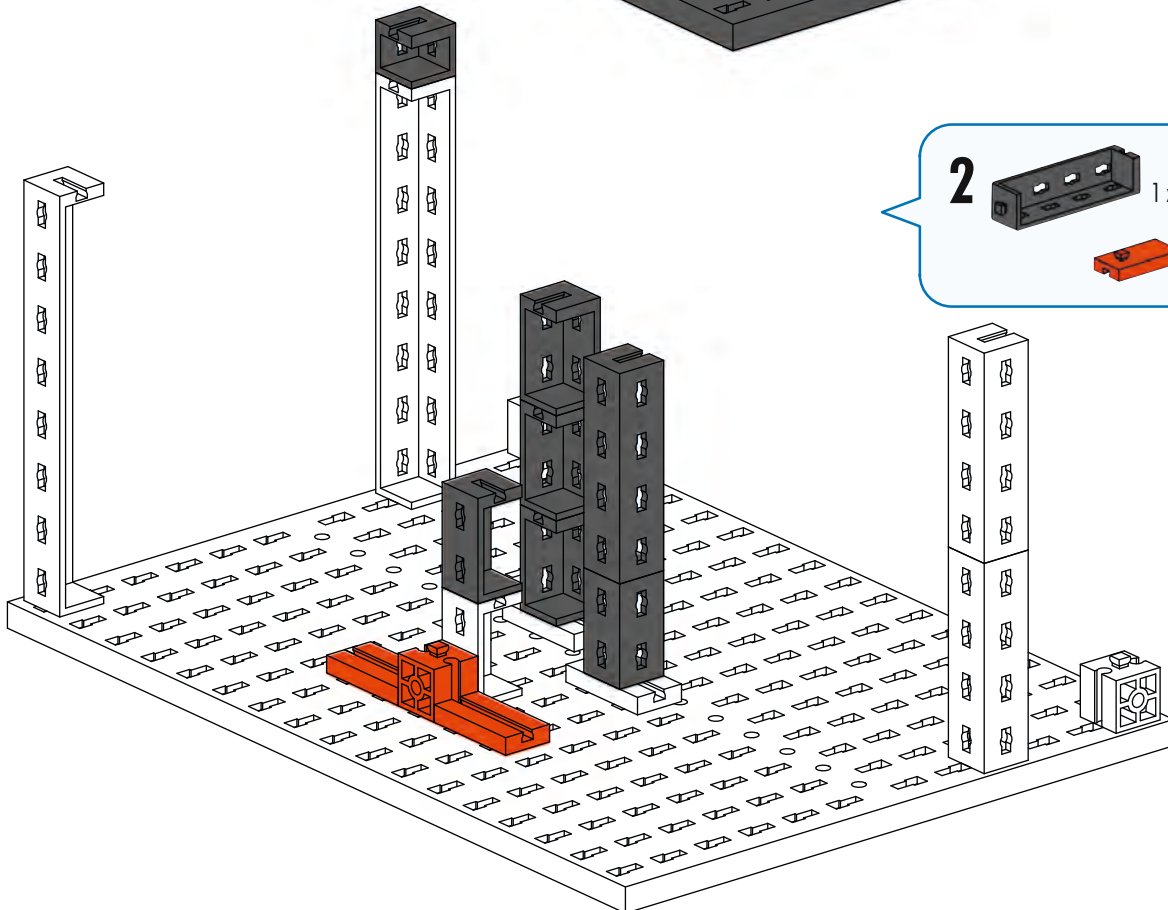
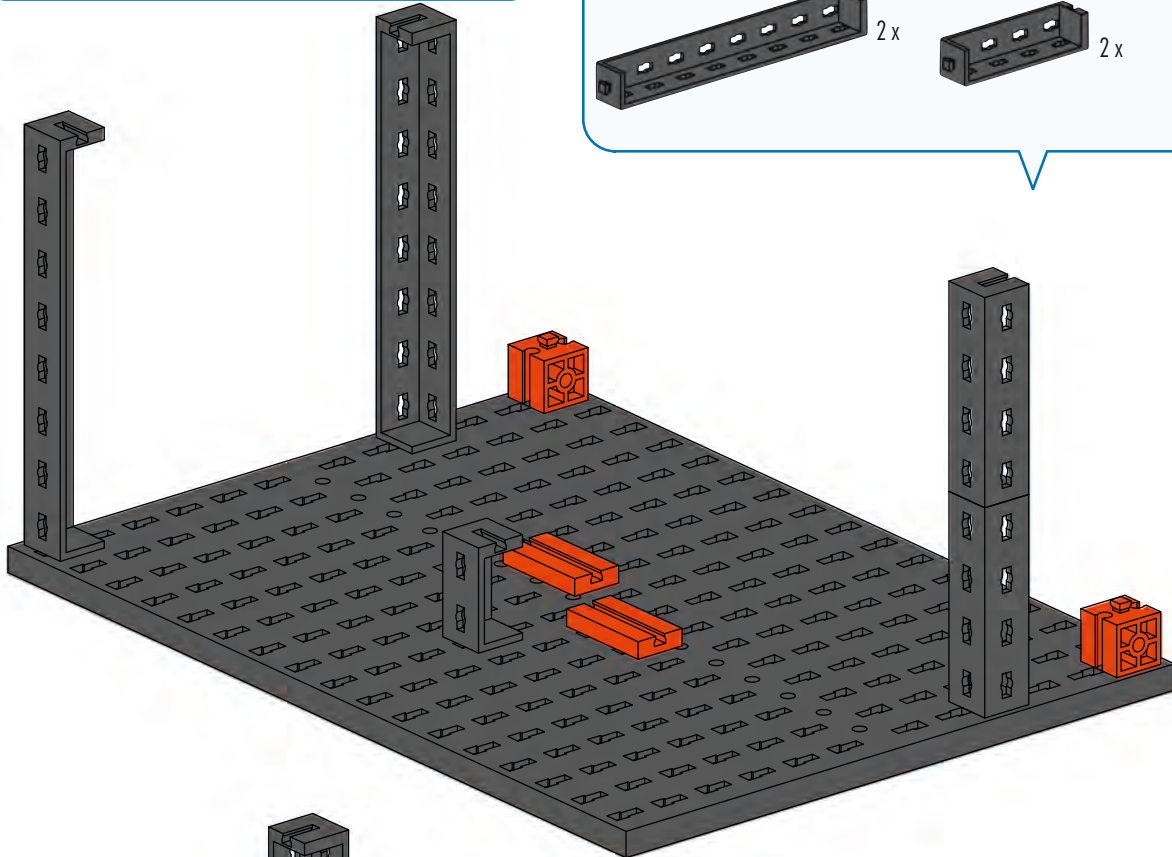
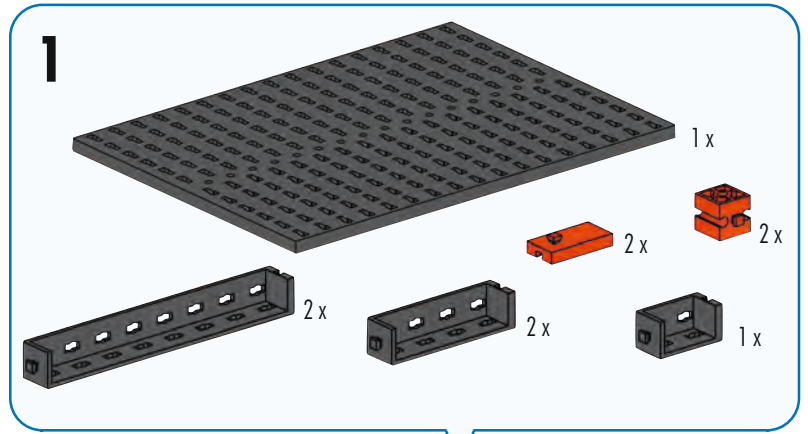
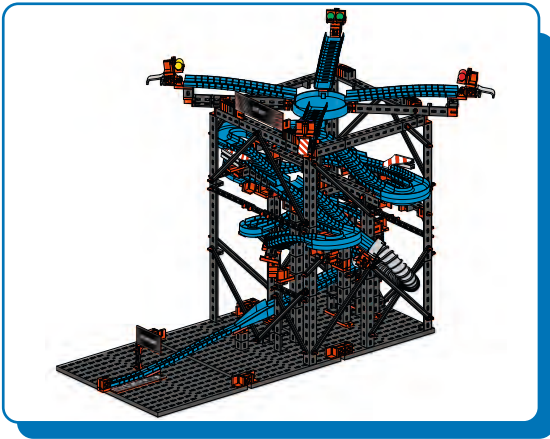
Modell in Action! / Model in action! / Modèle en service! / Model in actie! / ¡El modelo en acción! / Modelo em ação! / Il modello in azione! / Модель в действии! / 模型制作演示! :

<https://www.fischertechnik.de/marblecompetition/tutorials>

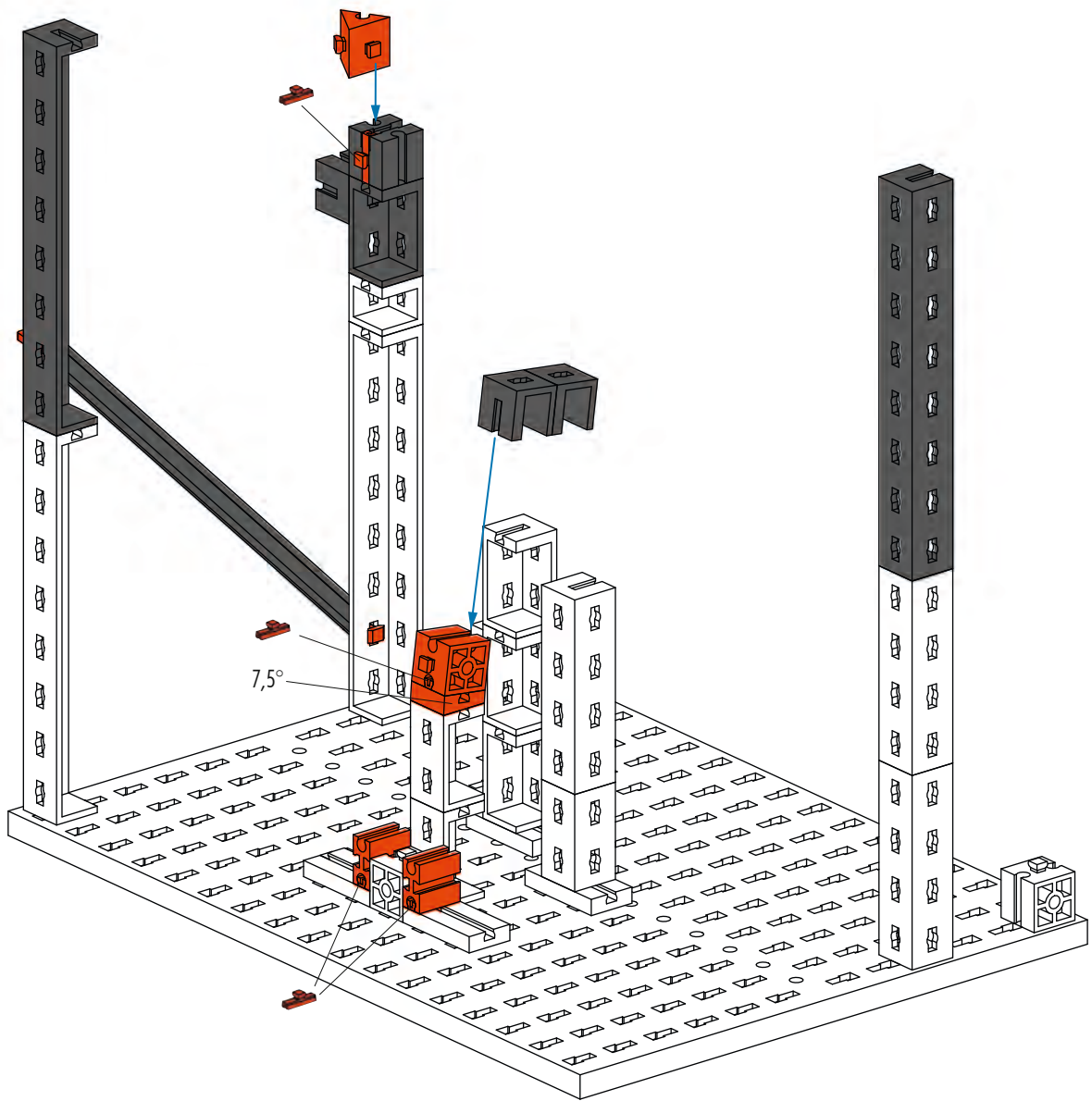
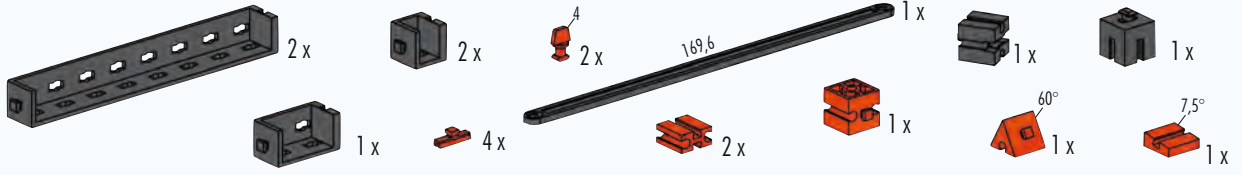




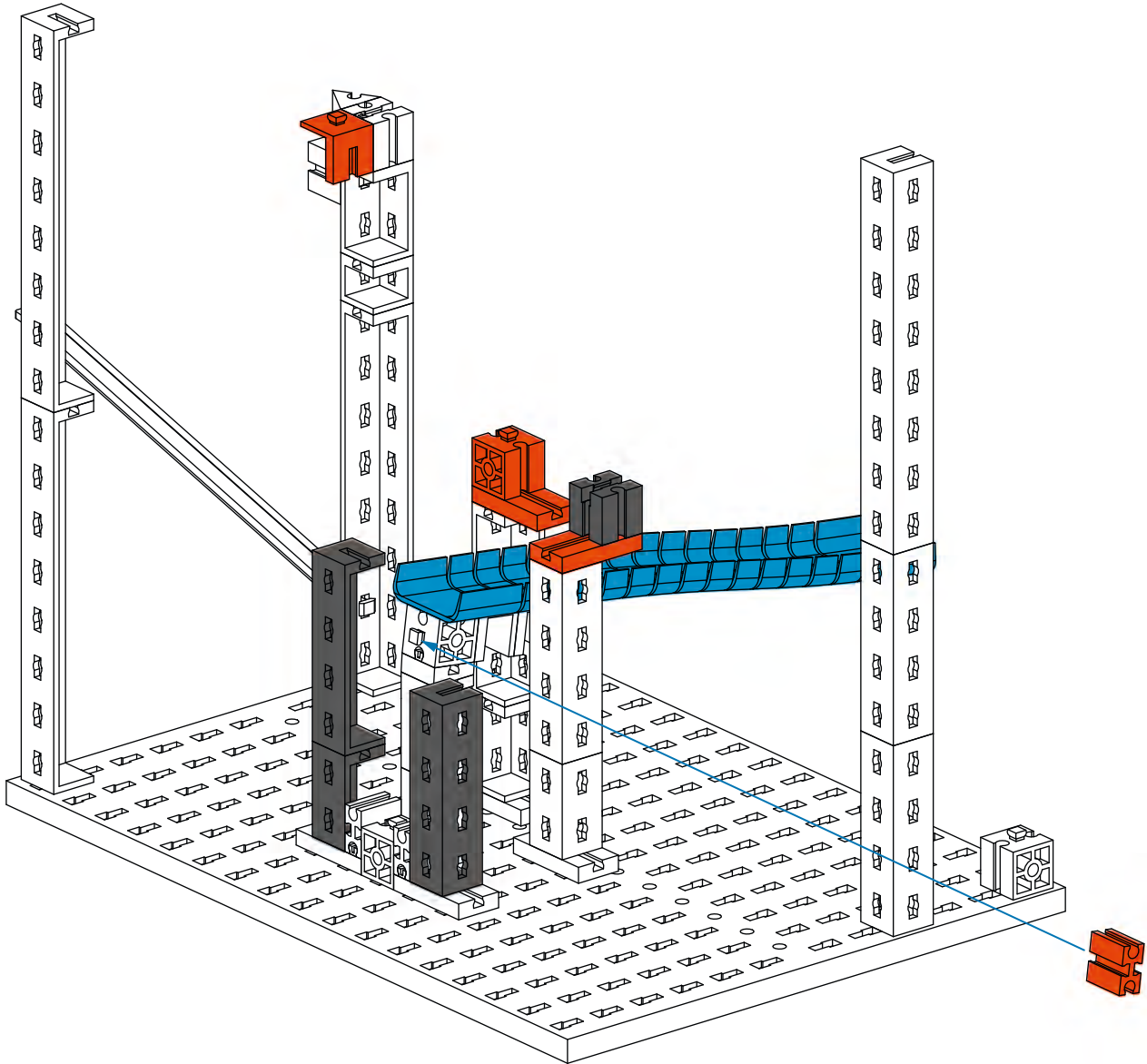
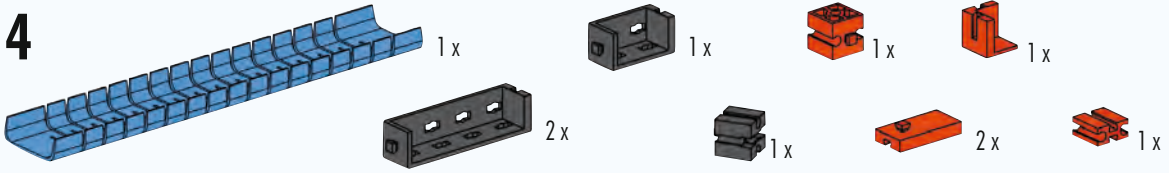
### Race Track 3



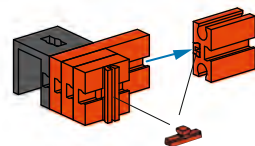
**3**



4



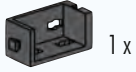
5



6



1x



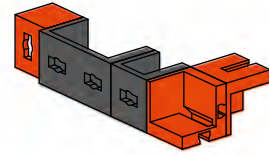
1x



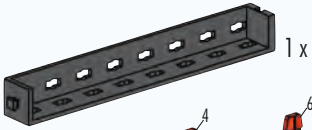
2x



1x



7



1x



1x



1x



1x



1x



1x



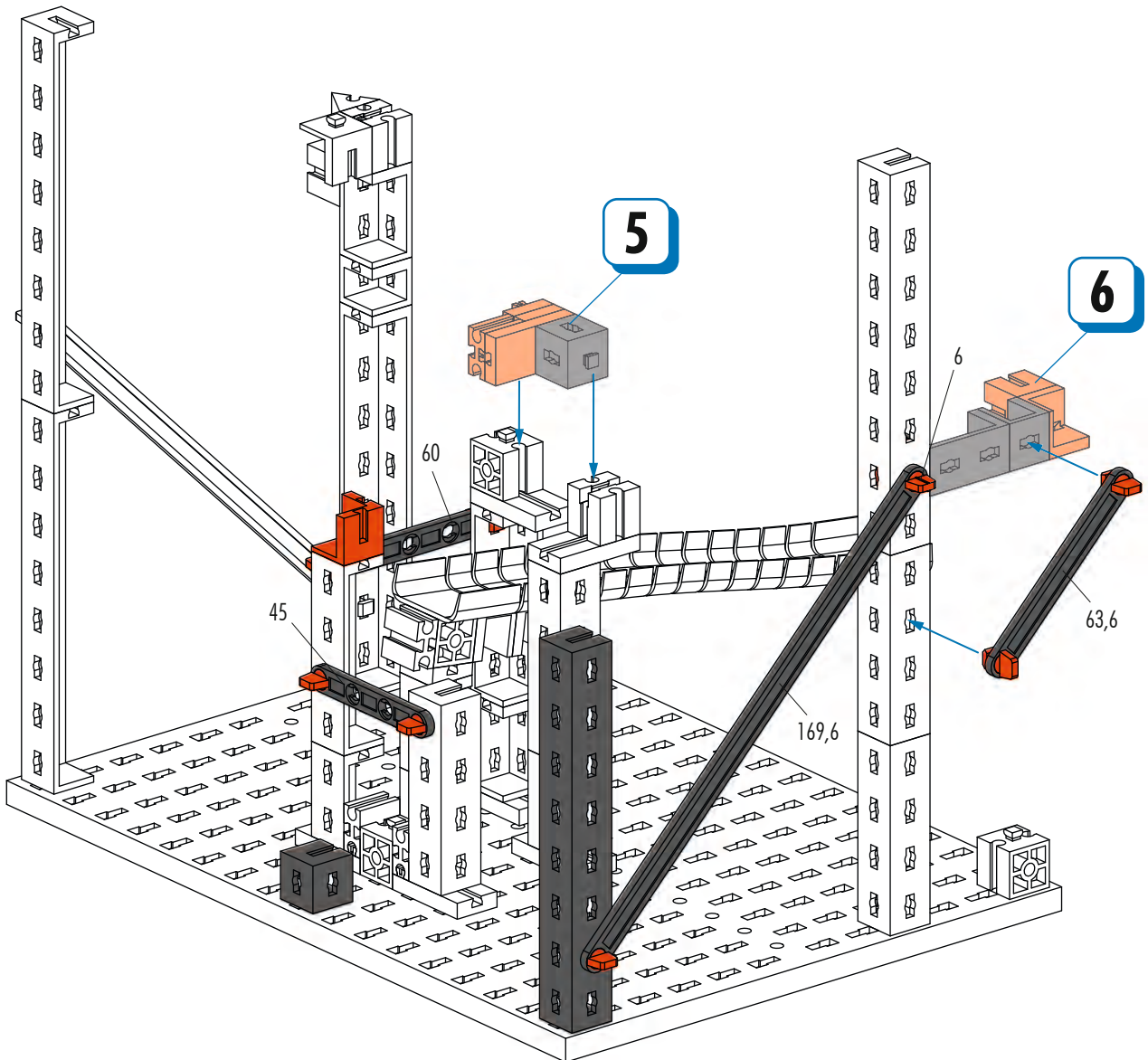
1x



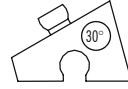
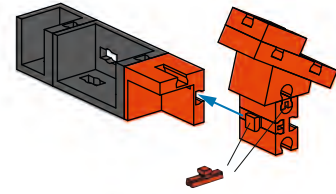
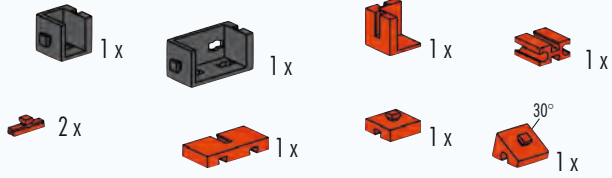
7x



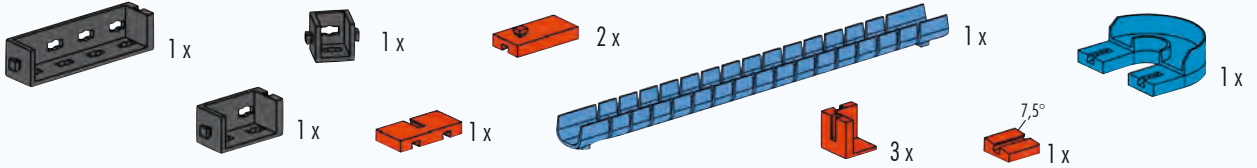
1x



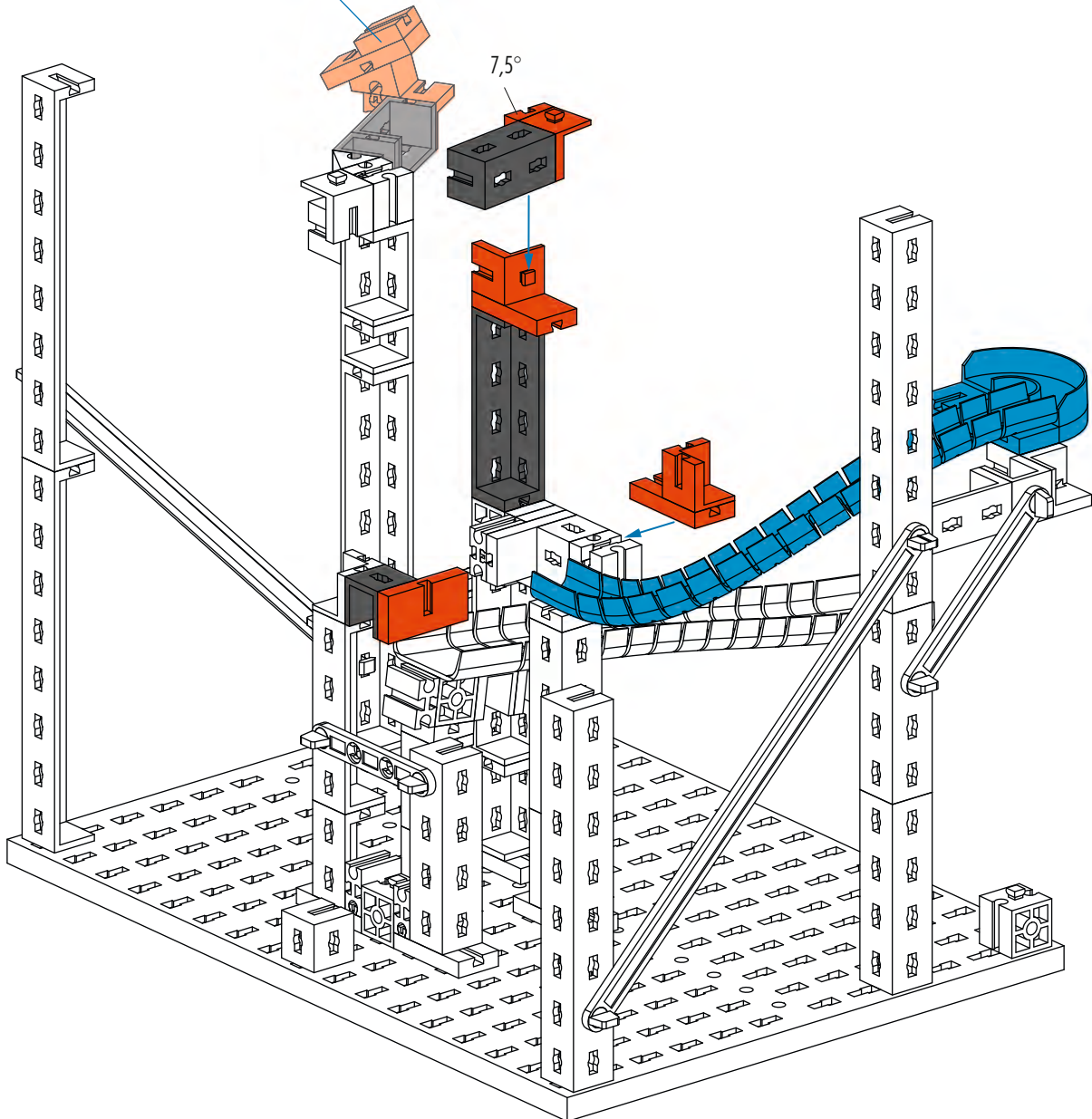
8



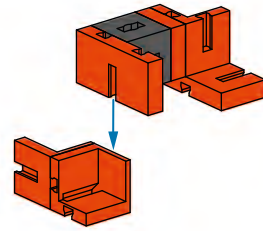
9



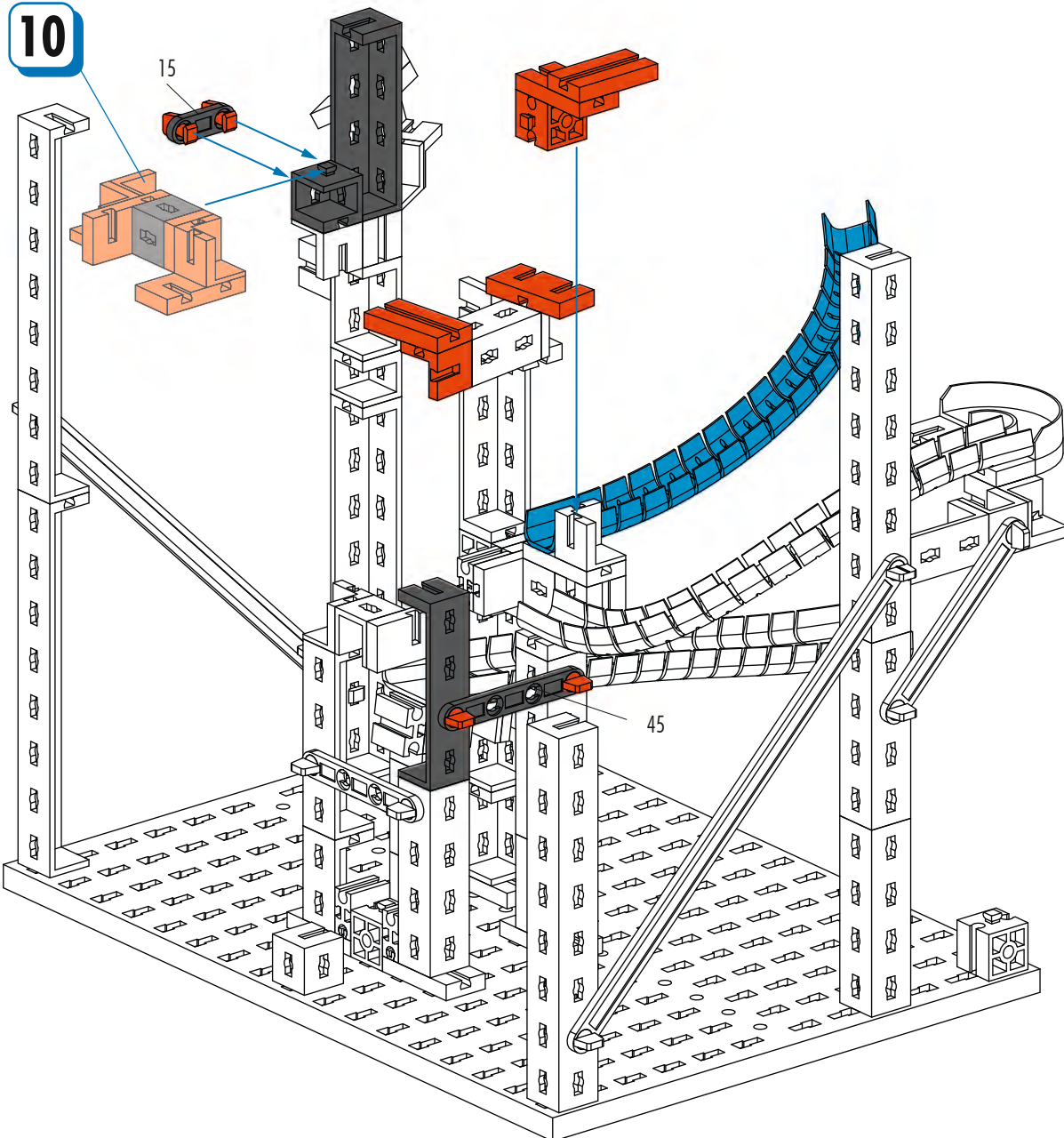
8











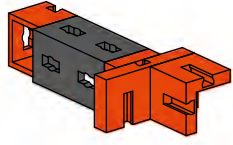
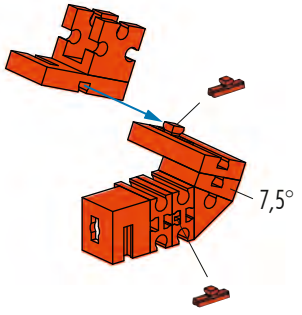
**10** 1x 3x 2x 1x

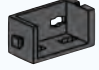






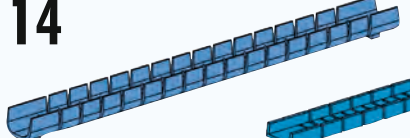
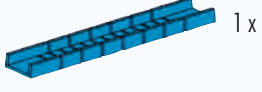





**11** 1x 1x 1x 1x 4x 2x 3x 1x 45 1x 15 1x

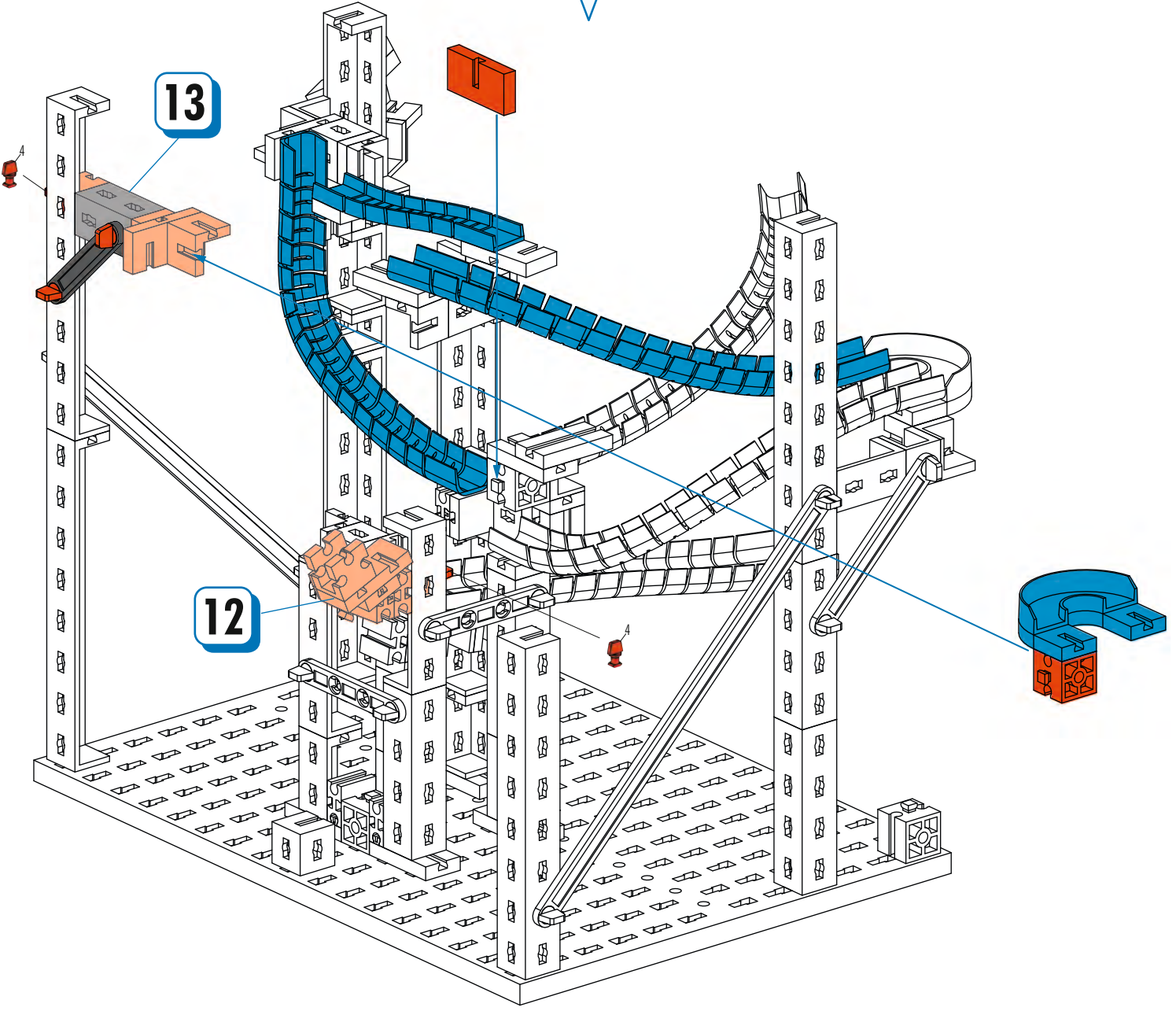


- 12**  1x  2x  1x  2x
-  1x  1x  1x  1x

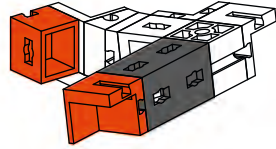
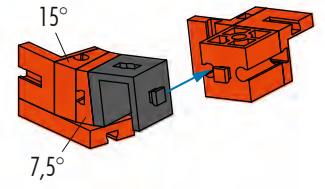
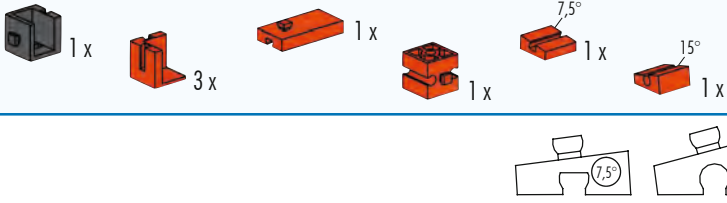


- 13**  1x  1x  1x
-  1x  1x

- 14**  2x  1x  1x  1x  1x
-  1x  4x



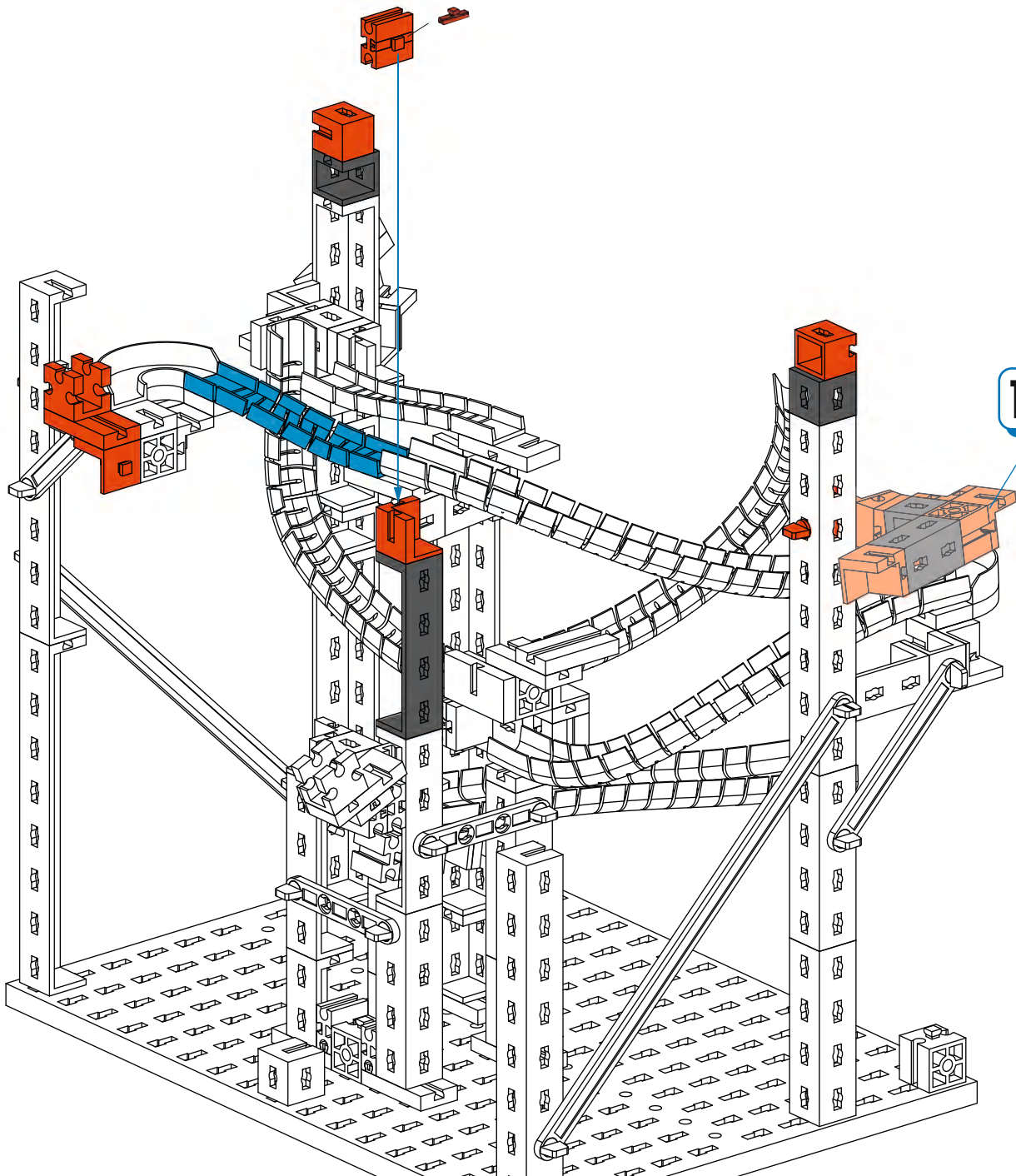
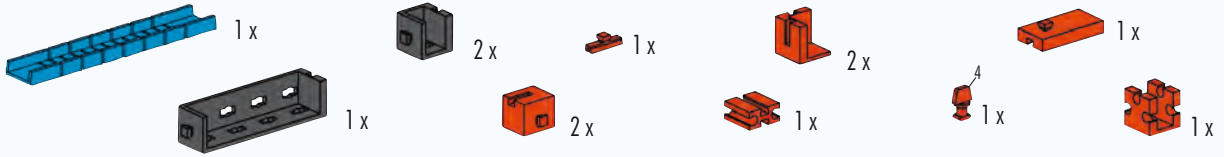
15



16



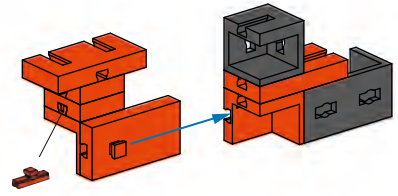
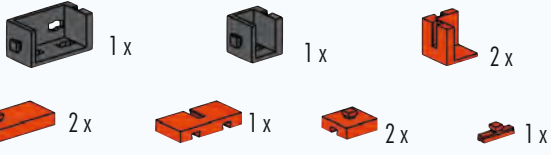
17



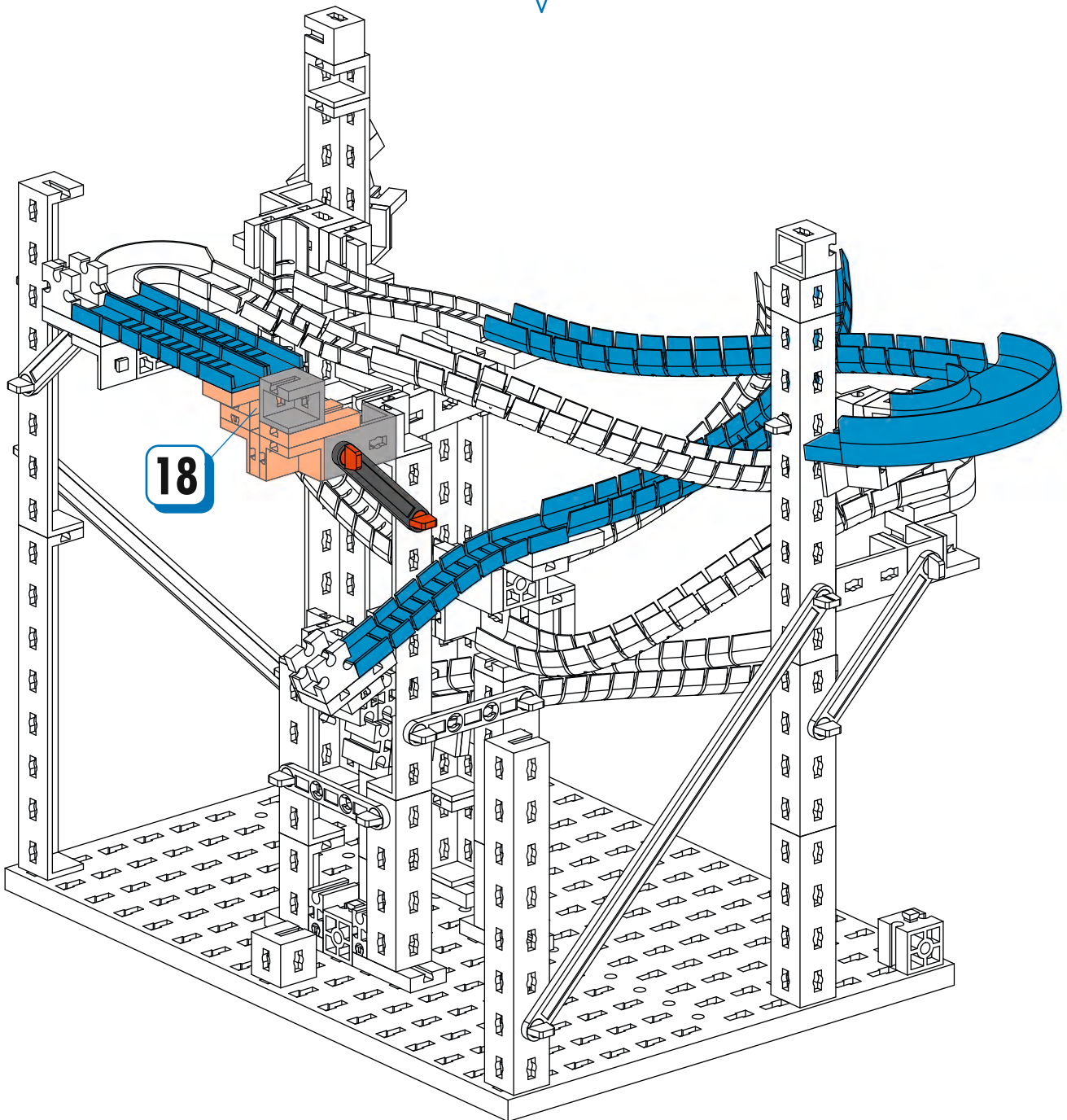
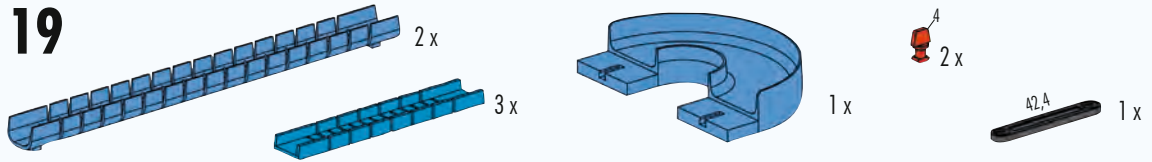
16



18

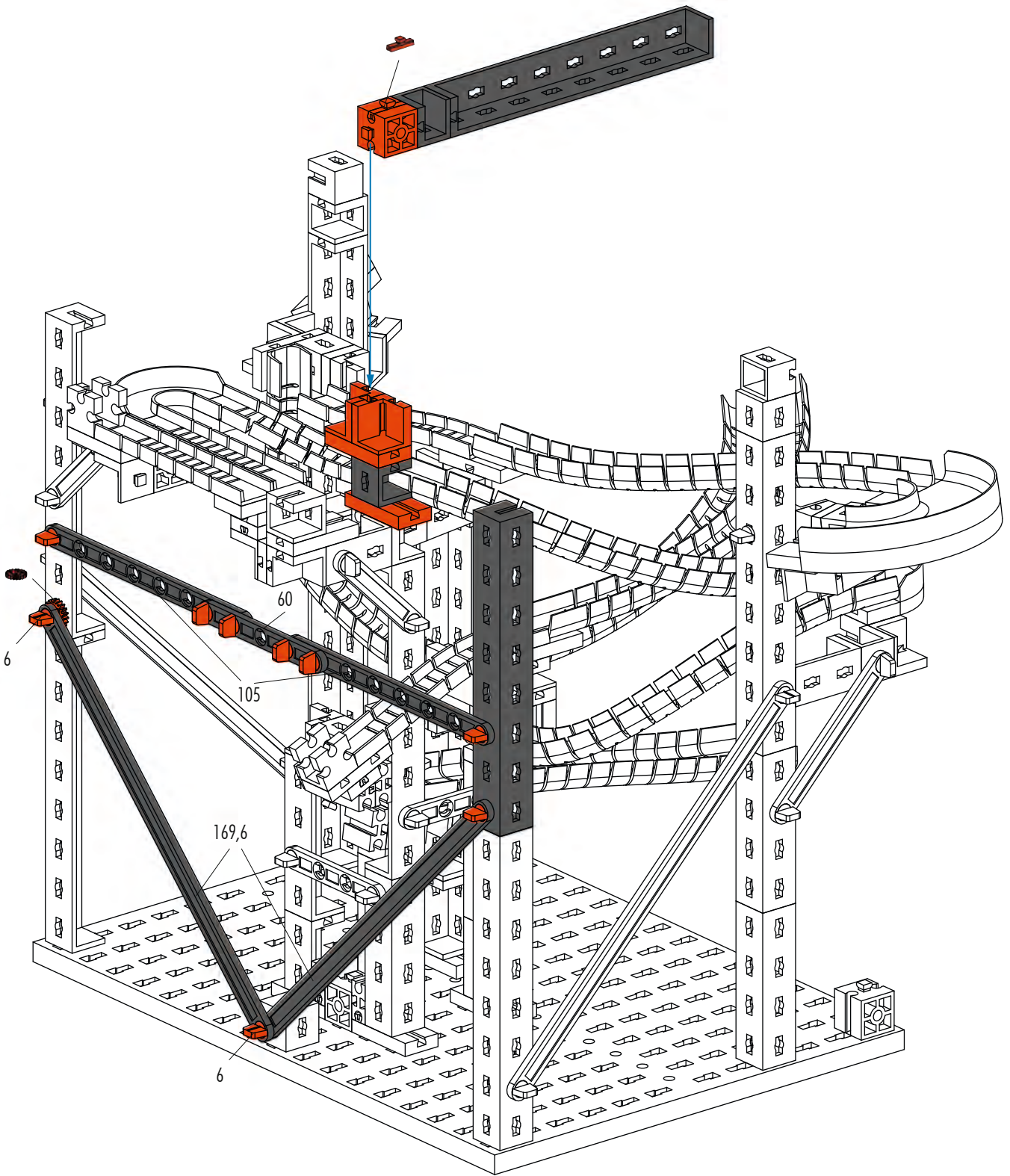


19



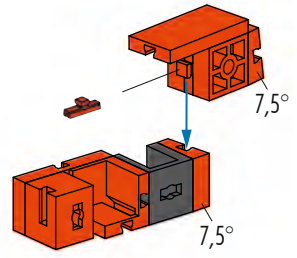
20

- 2 x [Grey Technic Beam 1x10 with 5 holes]
- 1 x [Red Technic Pin]
- 2 x [Grey Technic Connector]
- 2 x [Red Technic L-Bracket]
- 2 x [Red Technic Pin 6]
- 1 x [Grey Technic Beam 1x60]
- 2 x [Grey Technic Beam 1x169.6]
- 1 x [Black Technic Pin]
- 1 x [Red Technic Connector]
- 2 x [Red Technic Beam 1x2]
- 2 x [Red Technic Pin 4]
- 2 x [Grey Technic Beam 1x105]



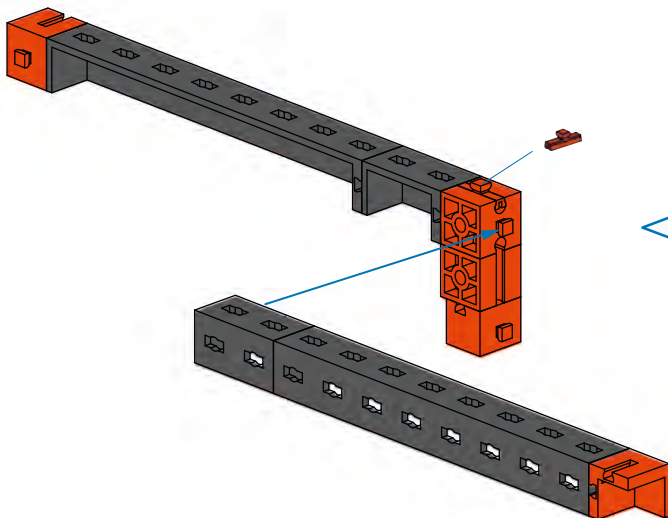
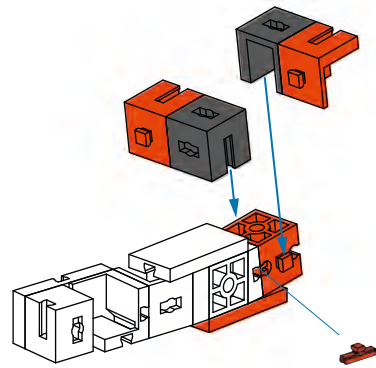
**21**

- 1x Grey Technic Connector
- 1x Orange Technic Connector
- 1x Small Orange Technic Pin
- 1x Orange Technic L-Bracket
- 2x Orange Technic 1x2 Pin
- 1x Orange Technic 1x3 Pin
- 1x Orange Technic 1x4 Pin
- 1x Orange Technic 1x2 Connector



**22**

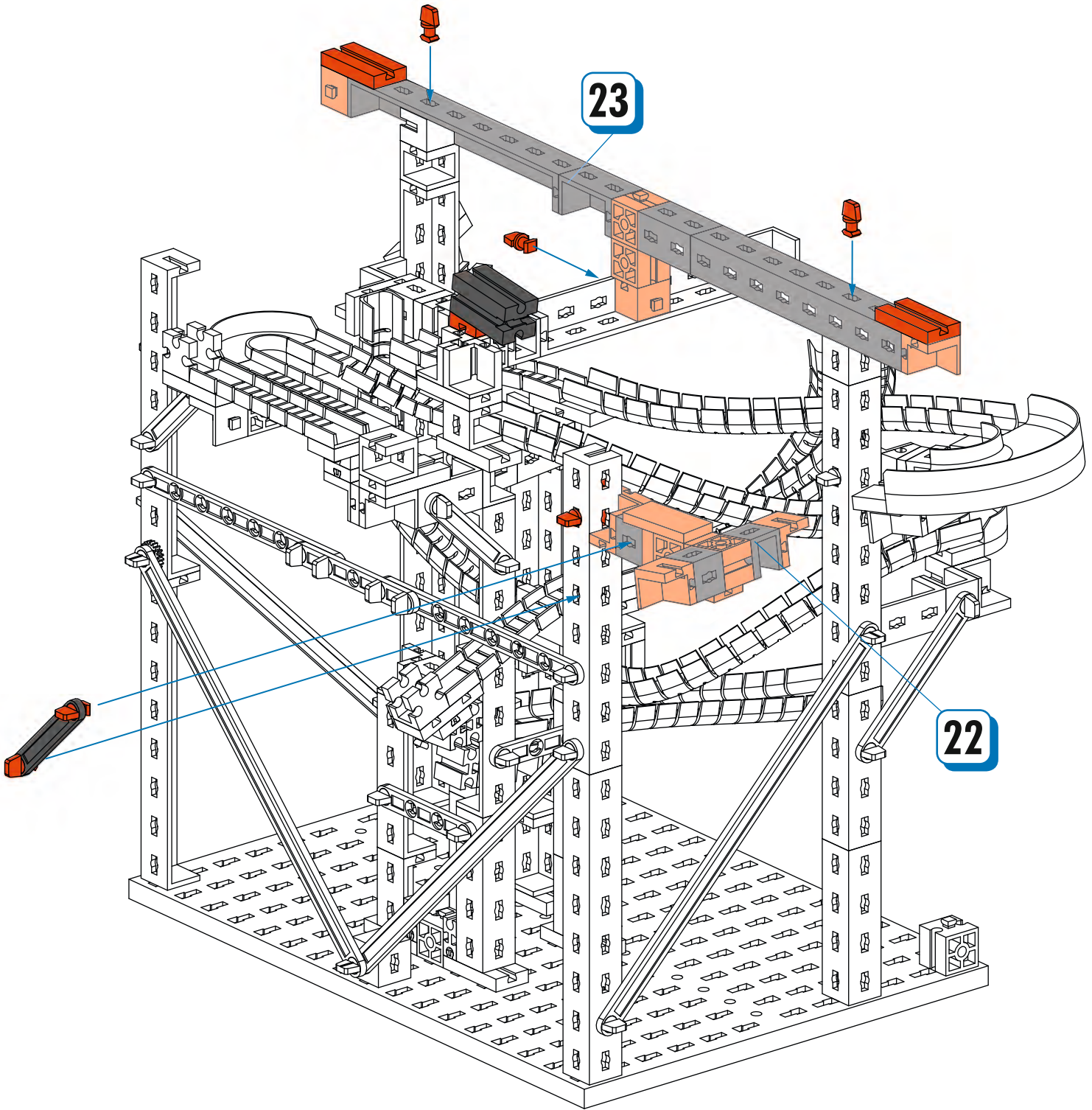
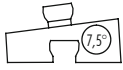
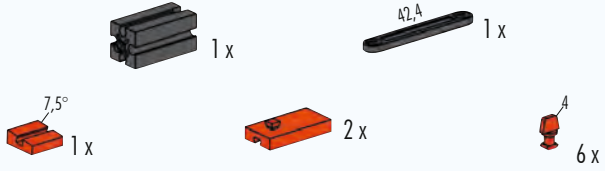
- 2x Grey Technic Connector
- 2x Orange Technic L-Bracket
- 1x Orange Technic 1x4 Pin
- 1x Small Orange Technic Pin
- 1x Orange Technic Connector



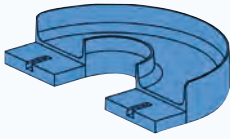
**23**

- 2x Grey Technic 1x12 Beam
- 2x Orange Technic L-Bracket
- 2x Orange Technic Connector
- 1x Small Orange Technic Pin
- 2x Grey Technic Connector
- 1x Orange Technic 1x2 Connector

24



25



3 x



1 x



5 x



2 x



1 x



1 x



3 x



1 x



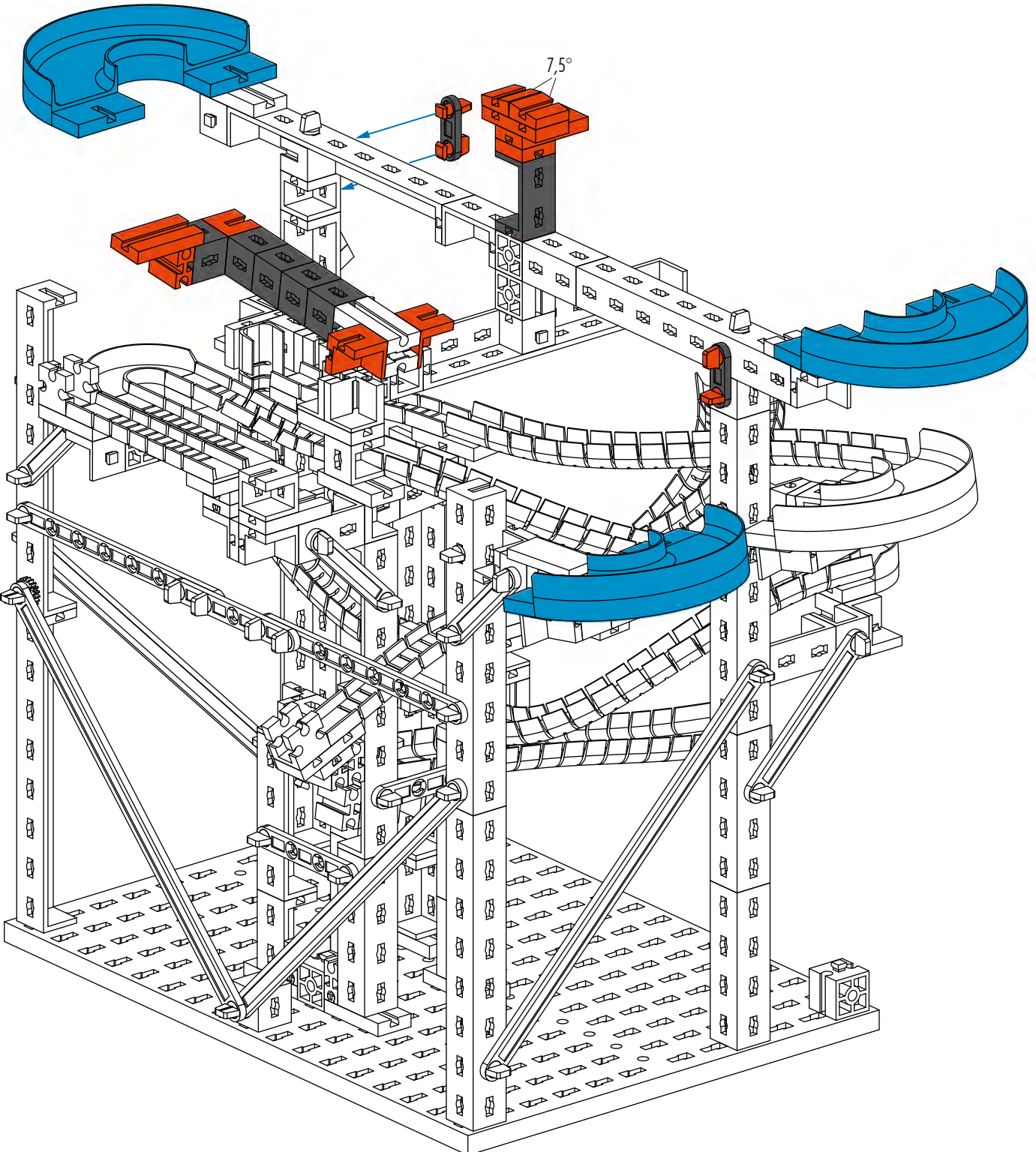
4 x



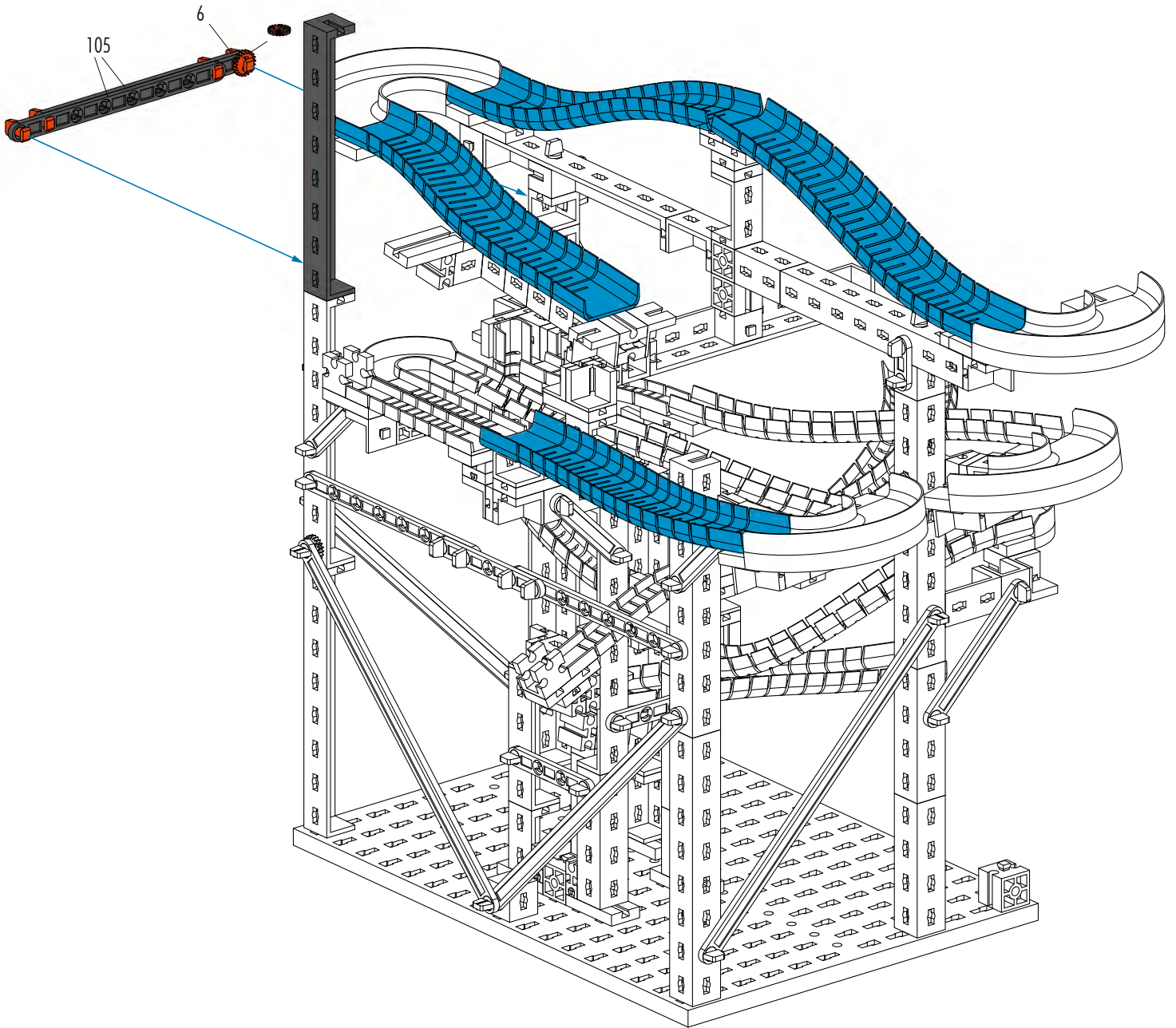
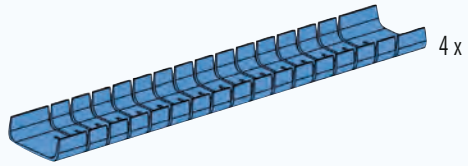
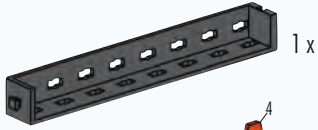
2 x



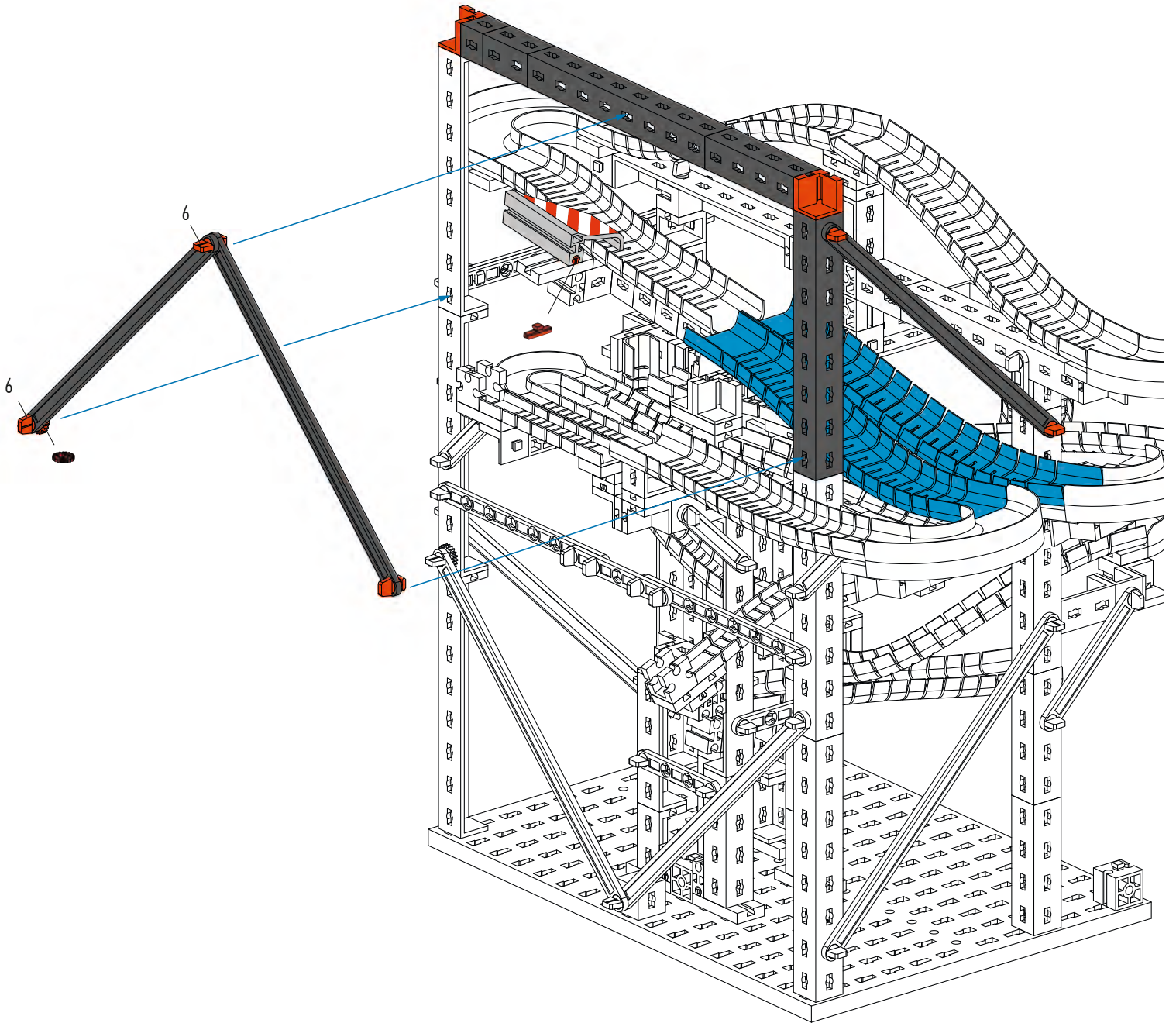
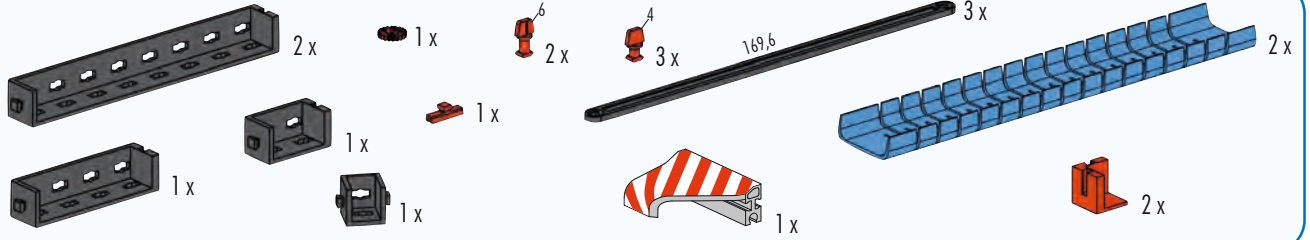
2 x

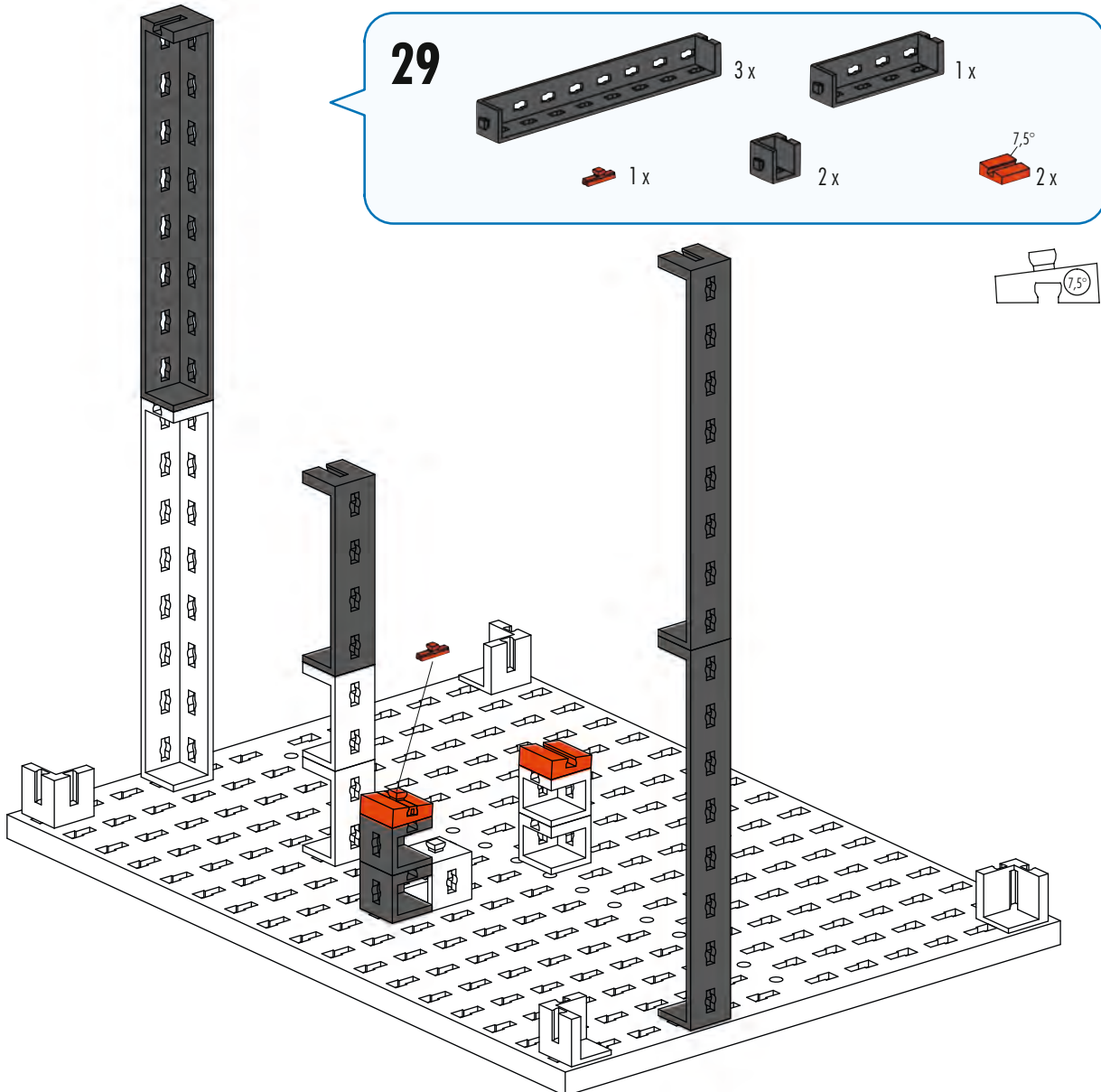
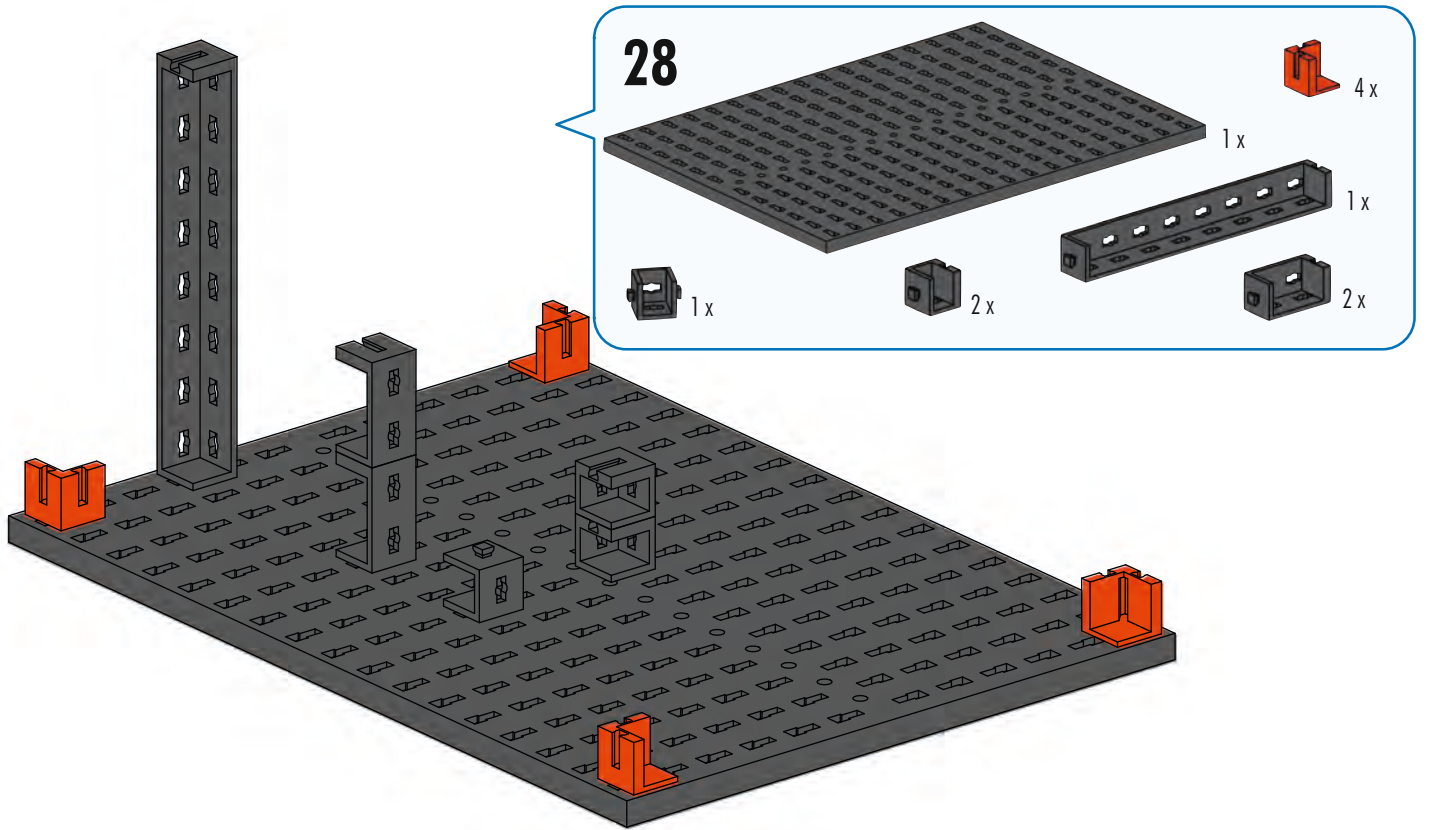


26

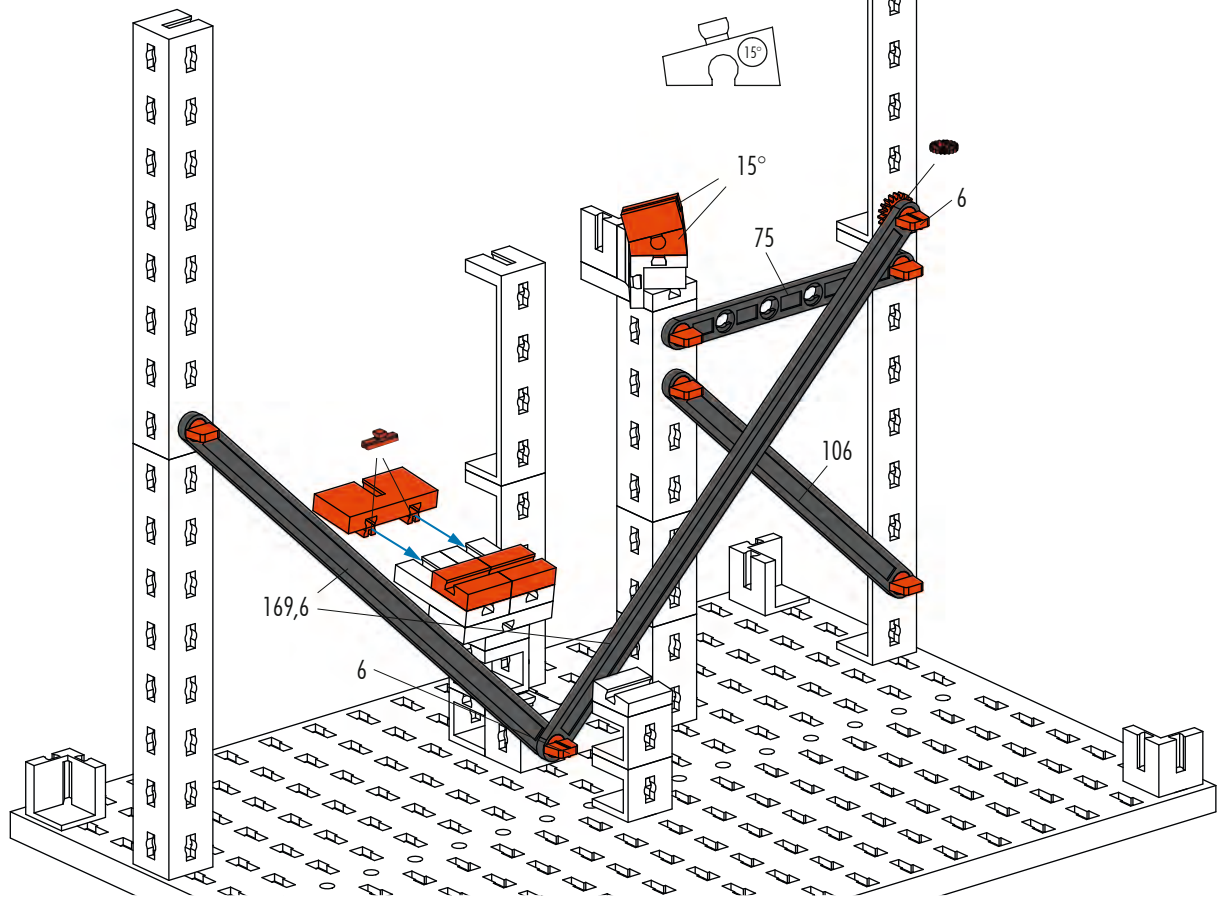
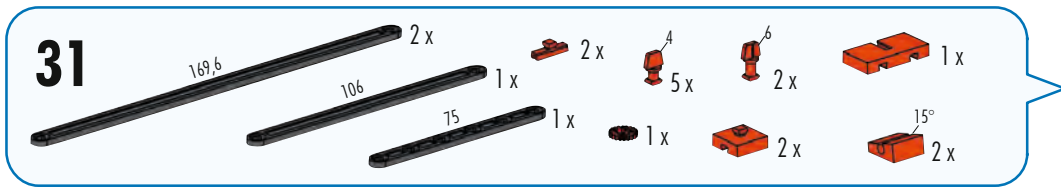
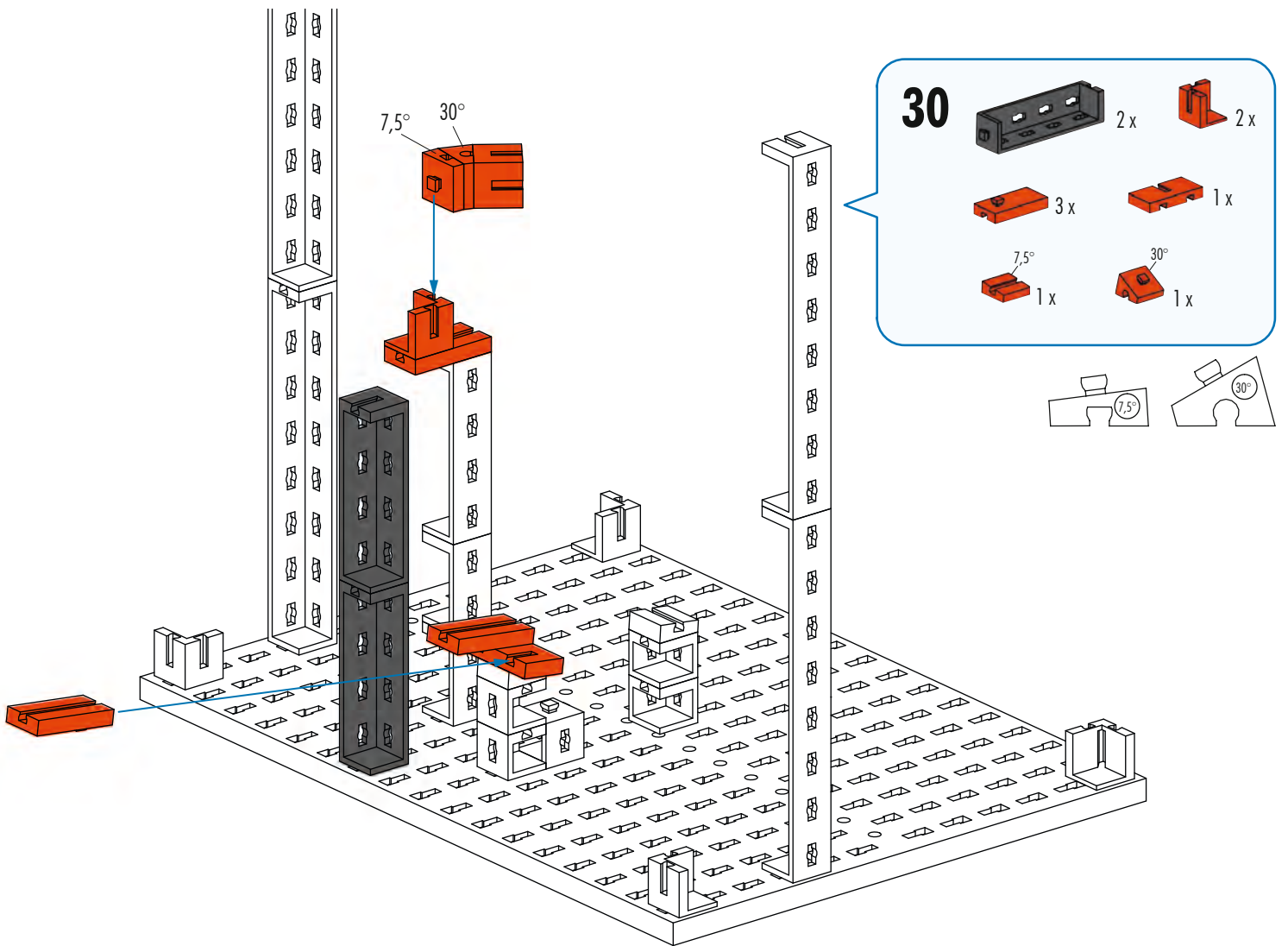


27

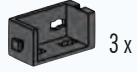








32



3x



2x



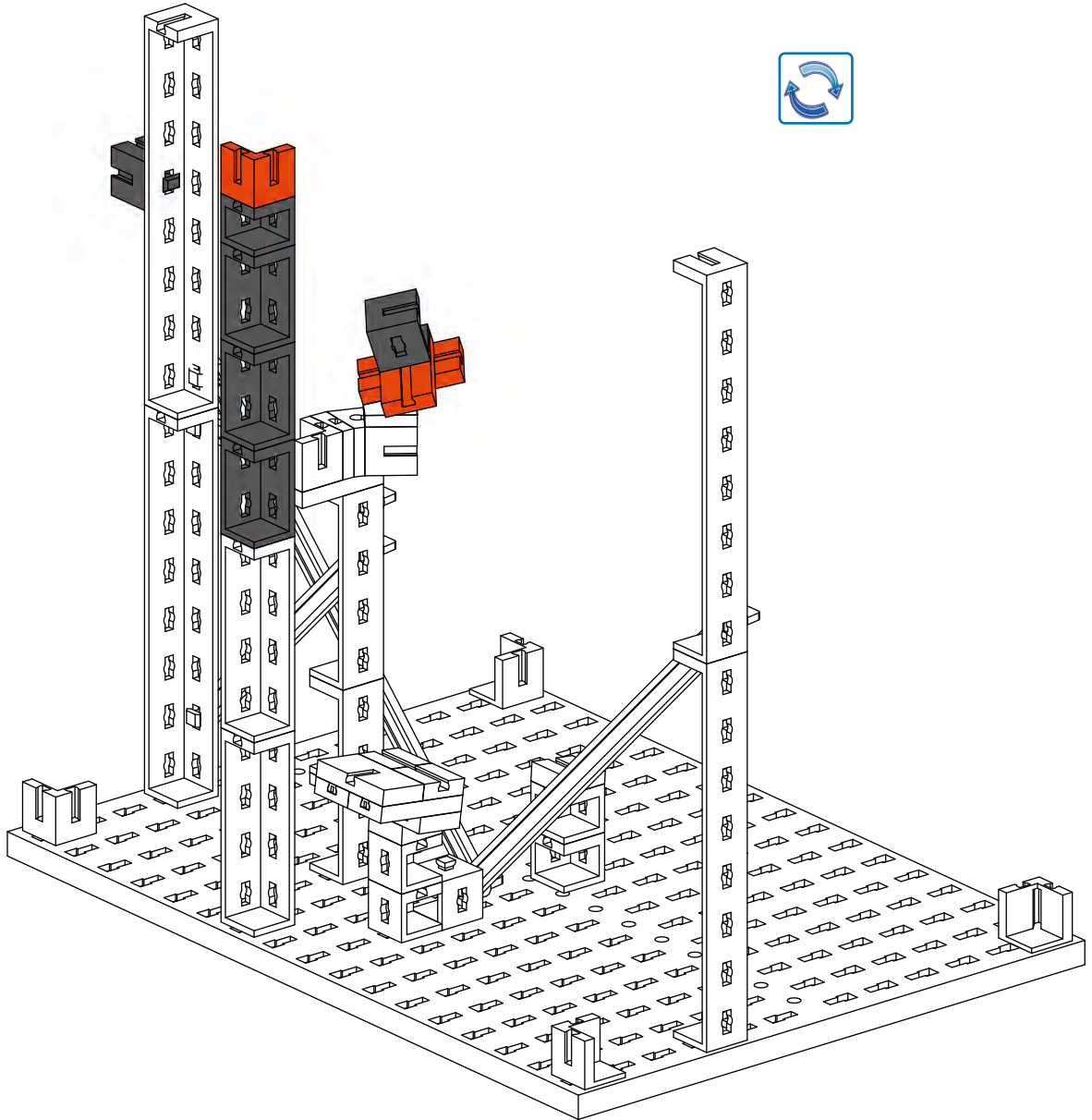
1x



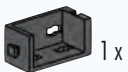
1x



2x



33



1x



2x



1x



1x

7,5°



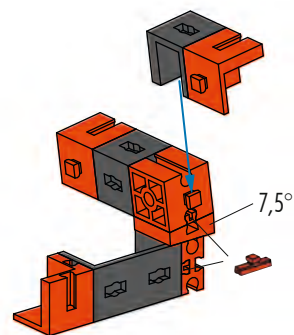
2x



1x



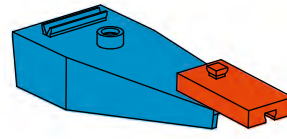
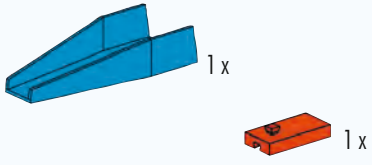
3x



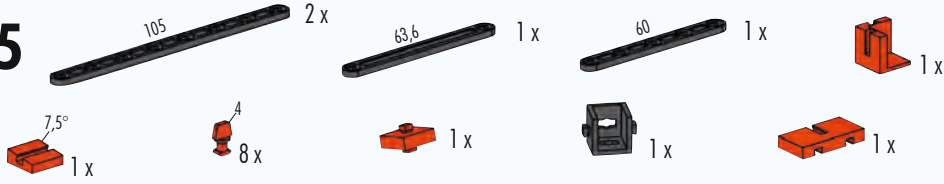
7,5°



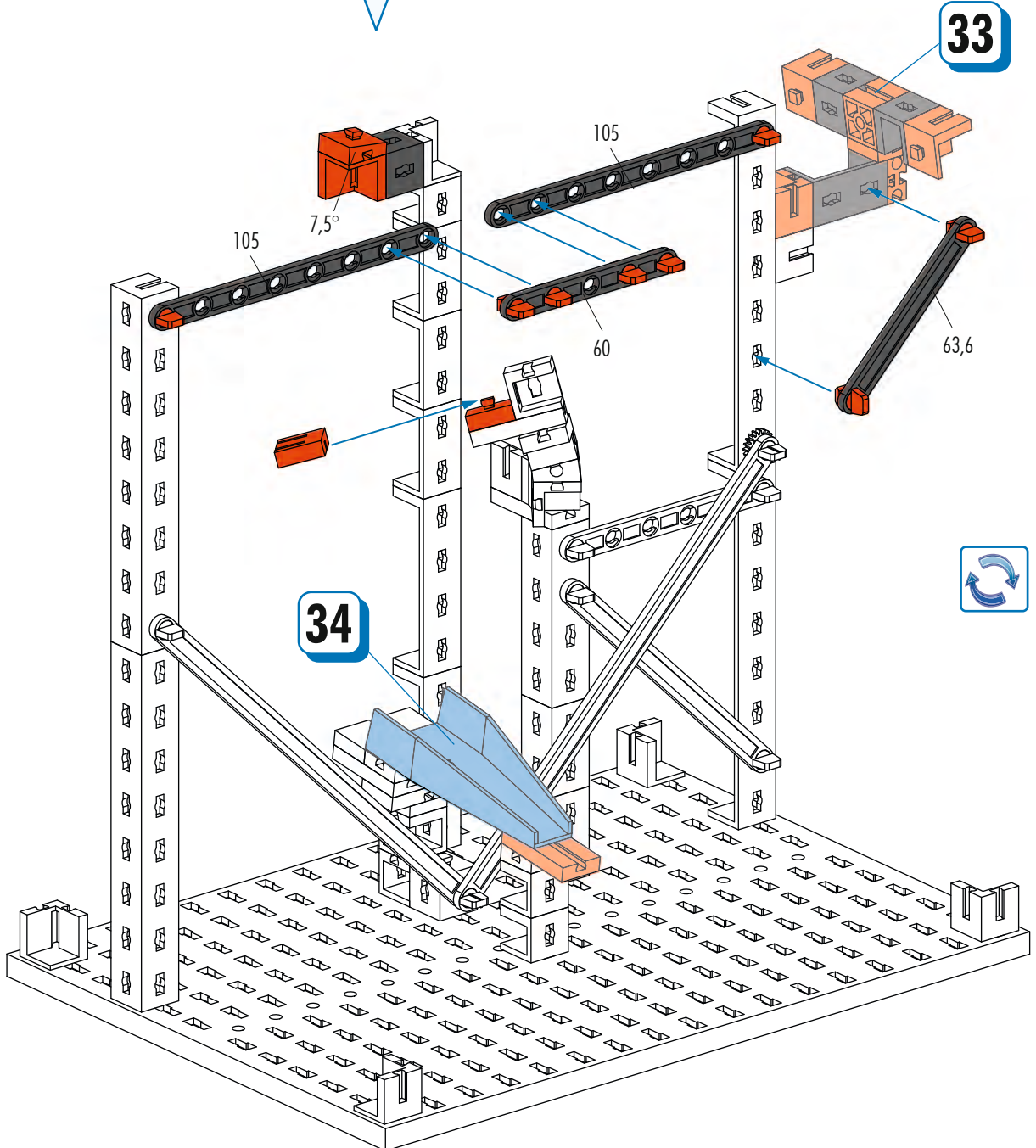
34



35



33



36



1x



5x



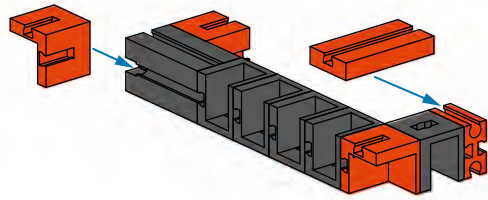
3x



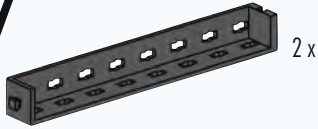
1x



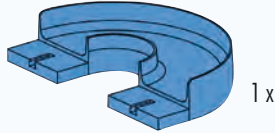
1x



37



2x



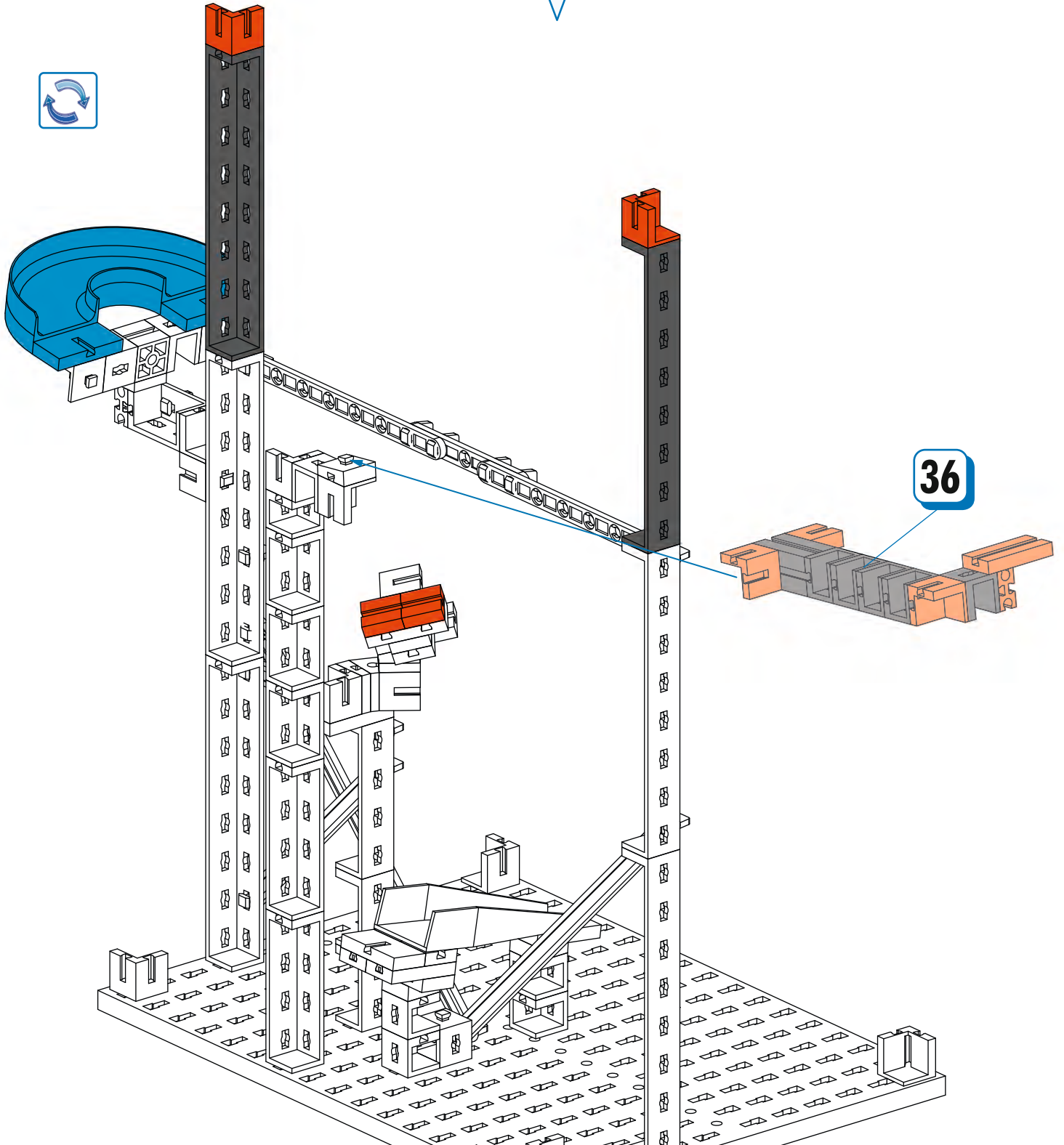
1x



2x

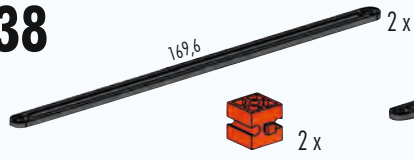


2x



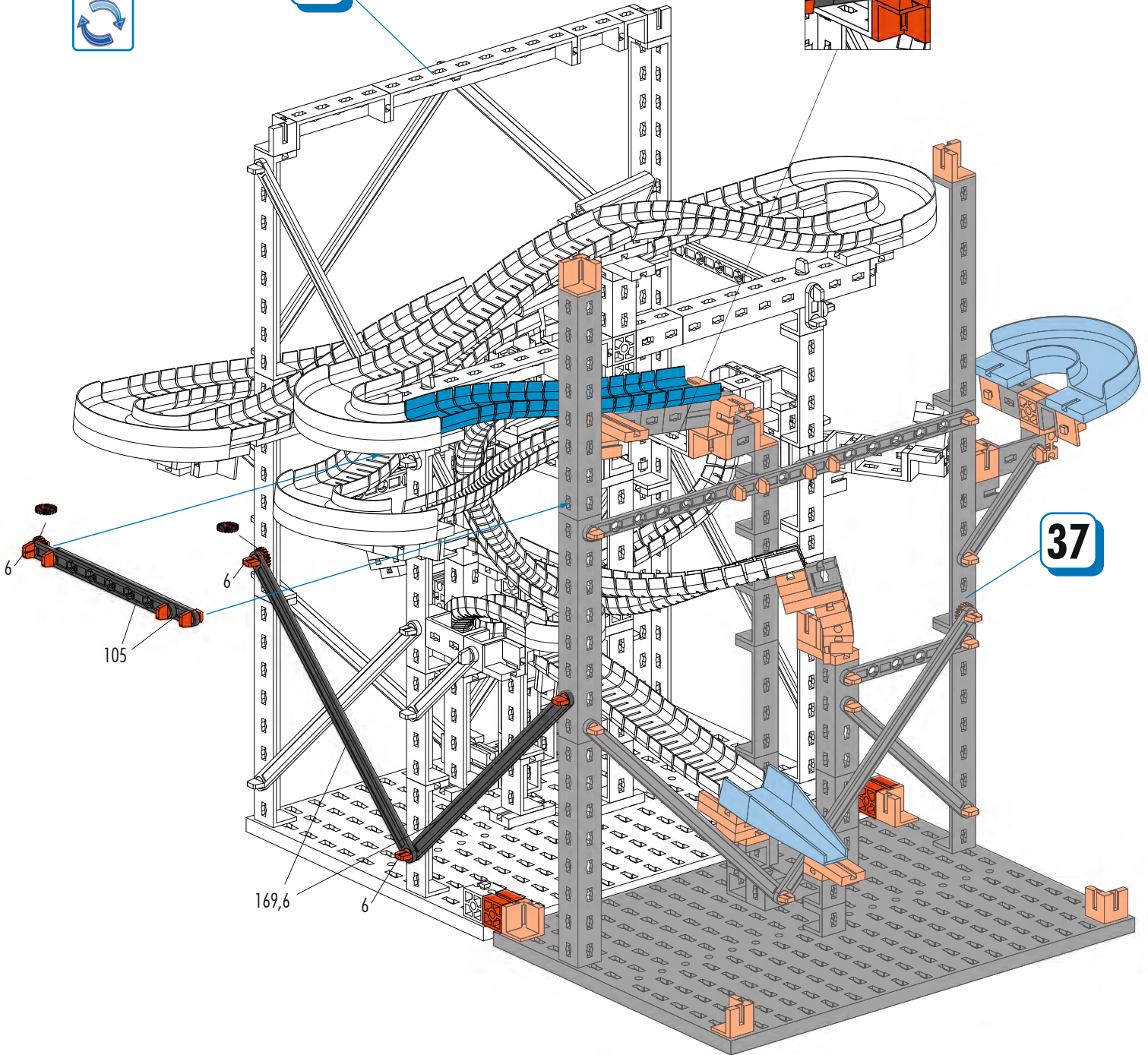
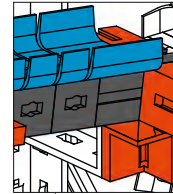
36

38

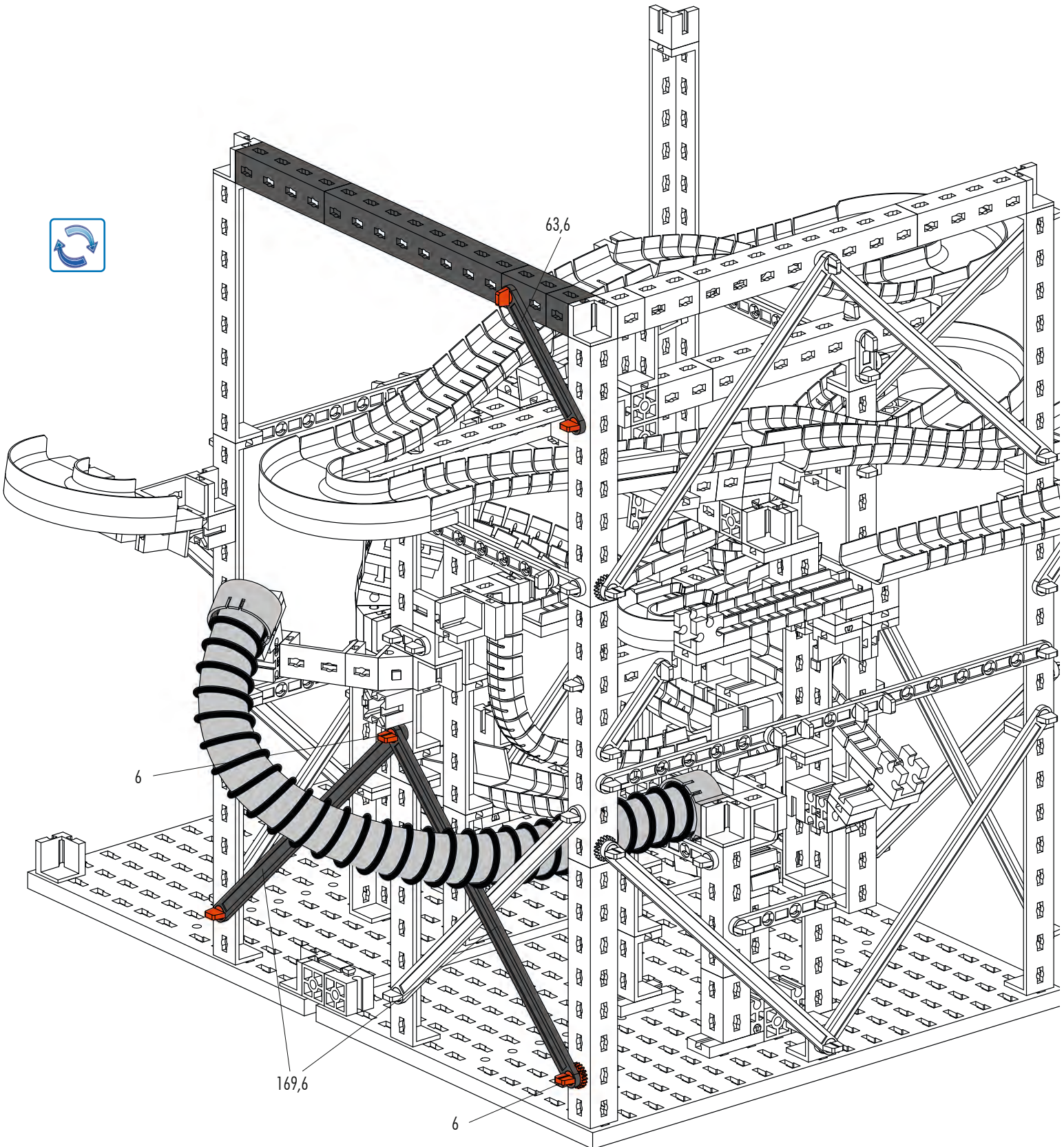
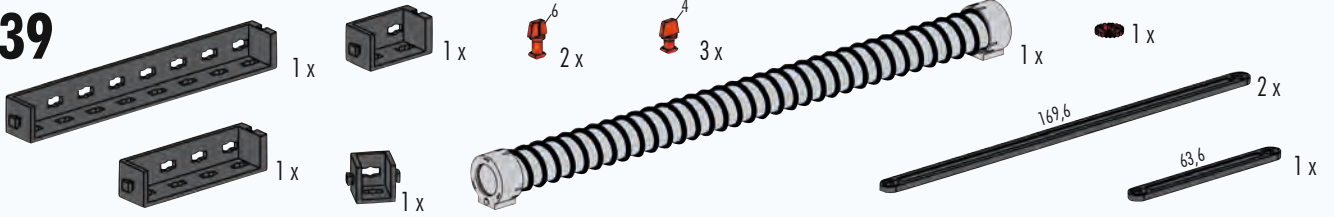


27

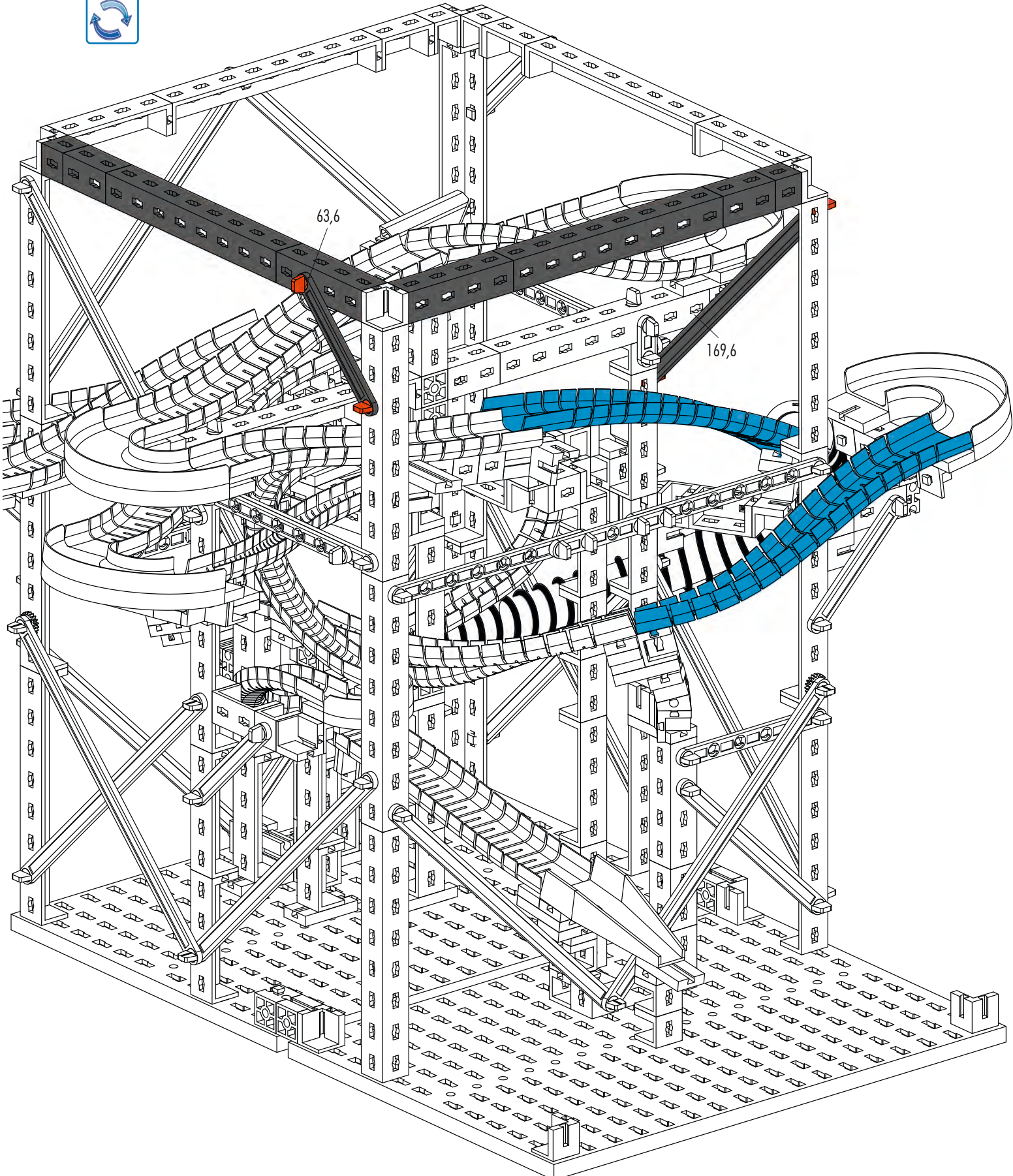
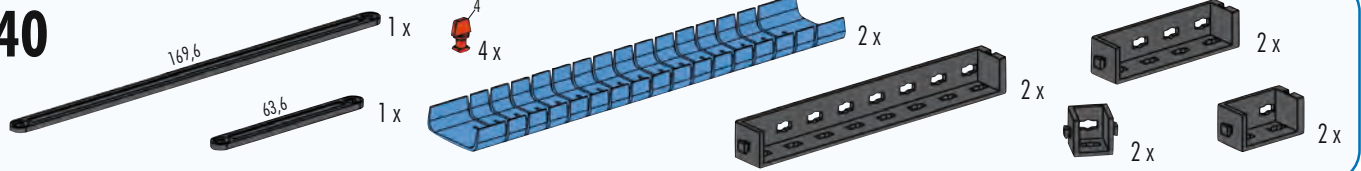
37



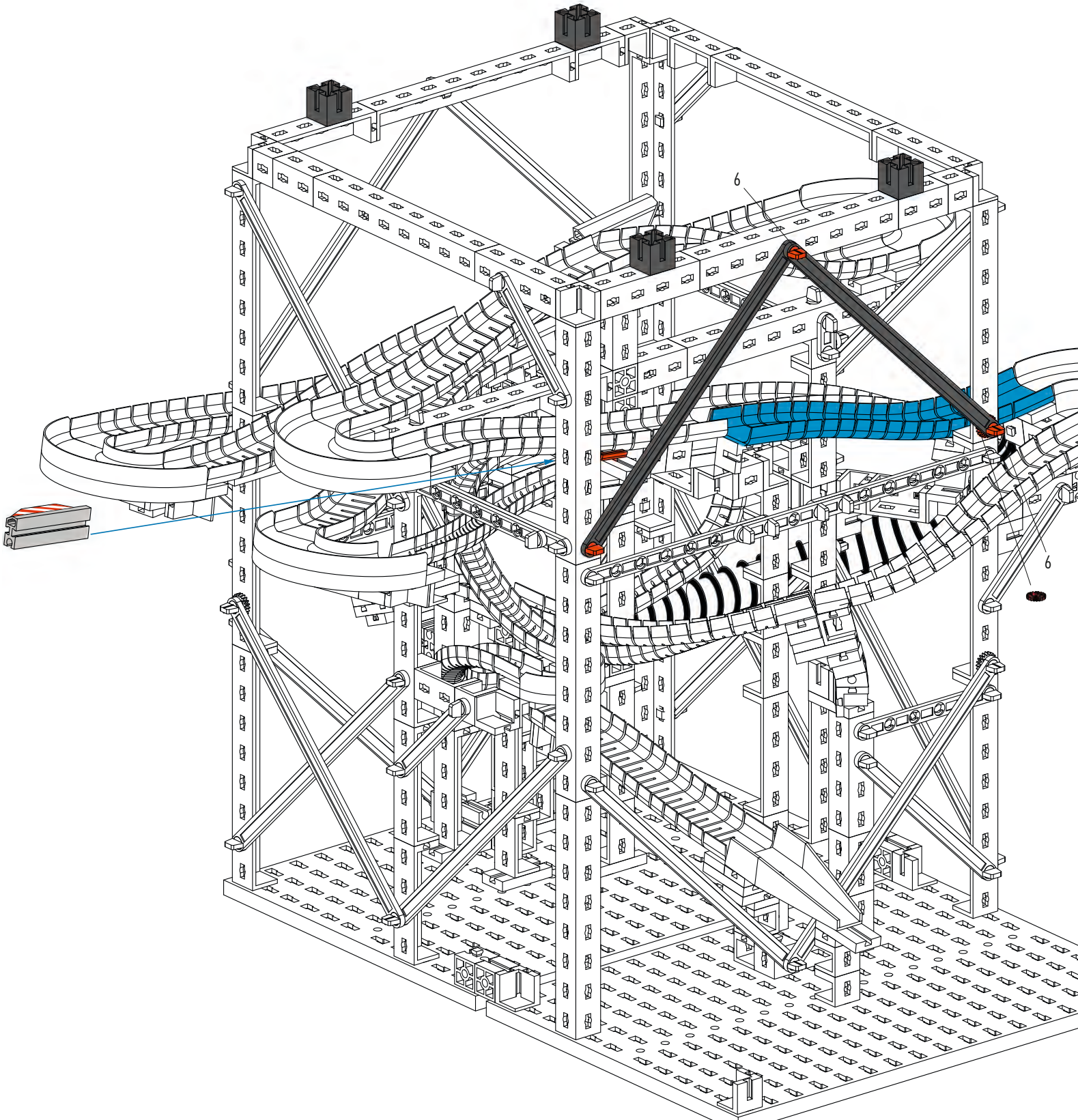
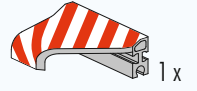
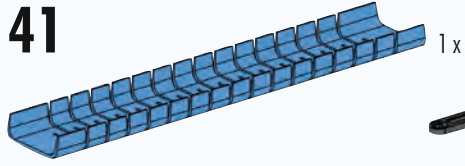
39



40

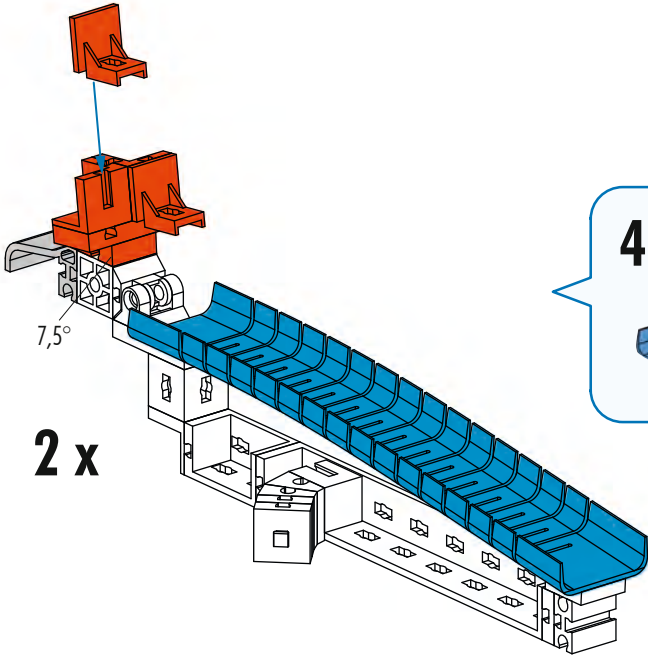
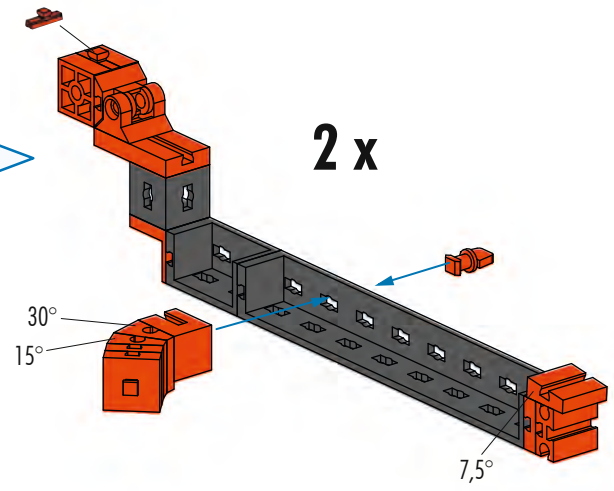
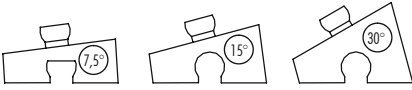
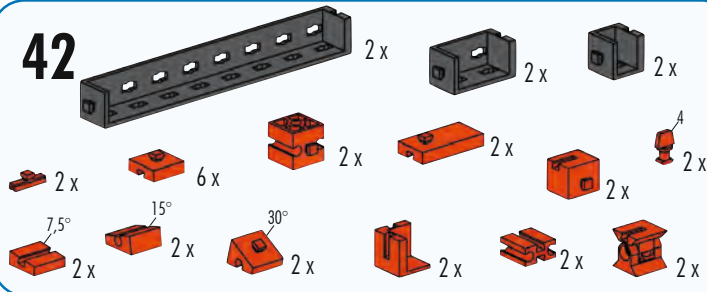


41

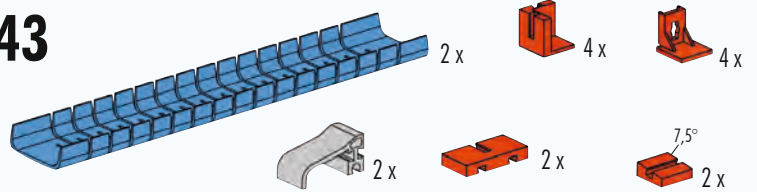




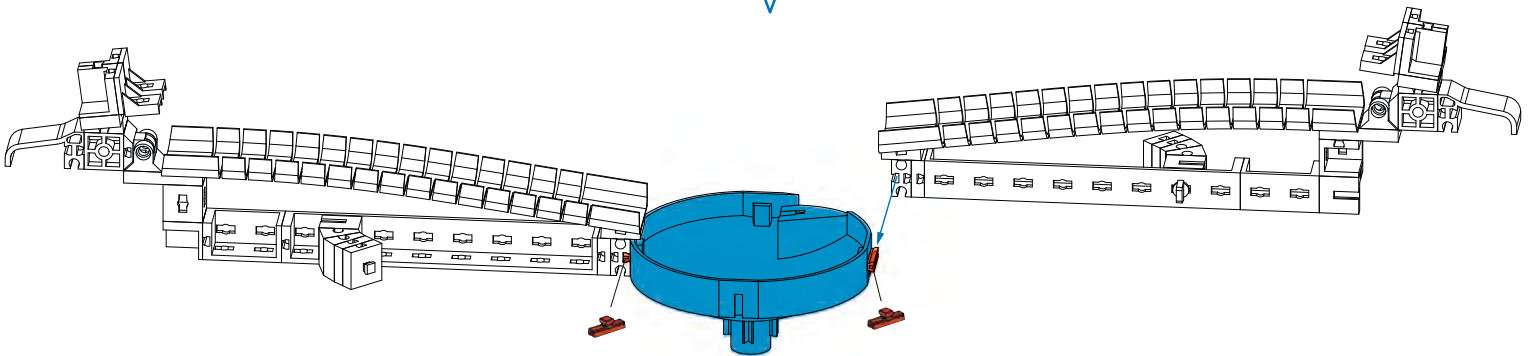
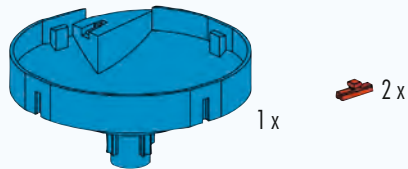
42

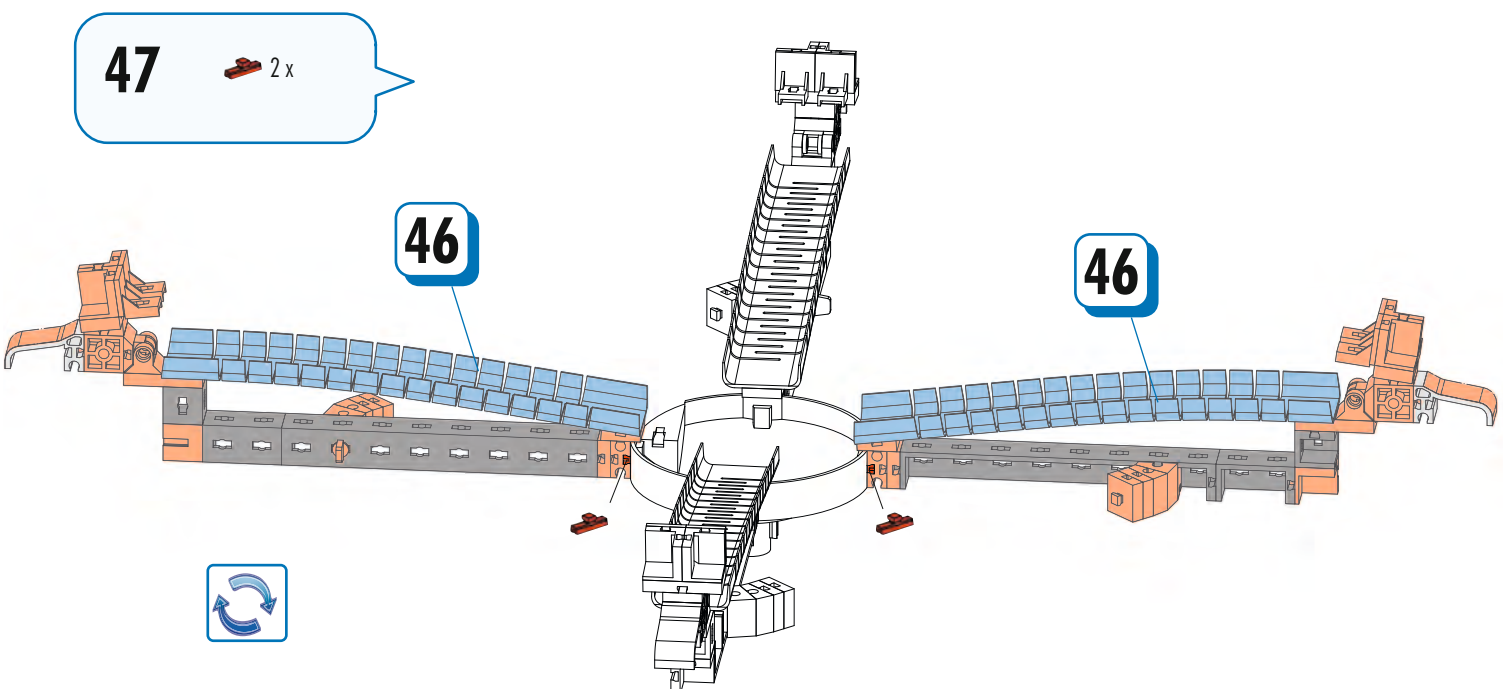
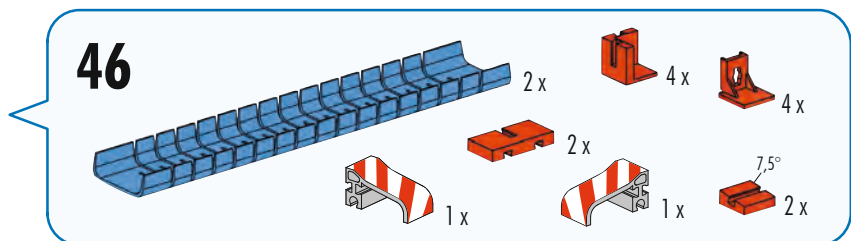
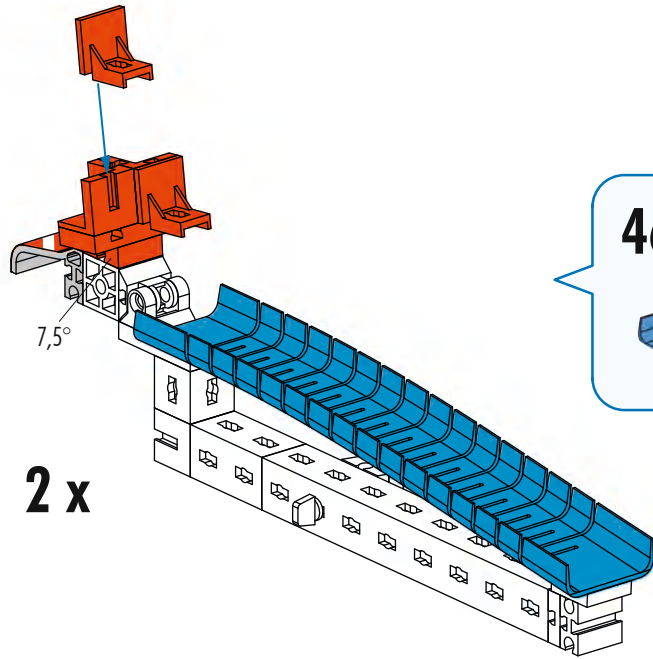
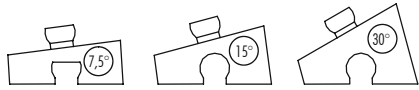
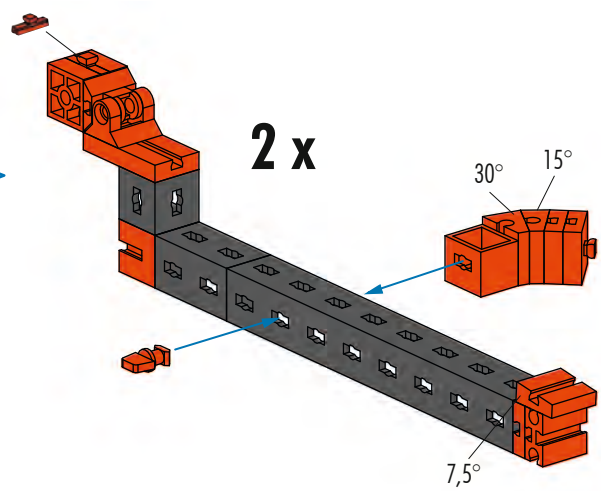
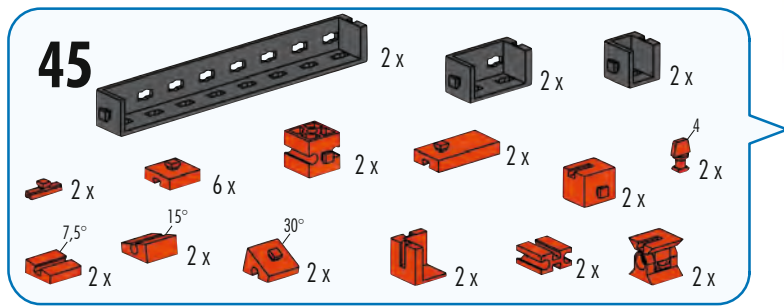


43



44





48



4 x



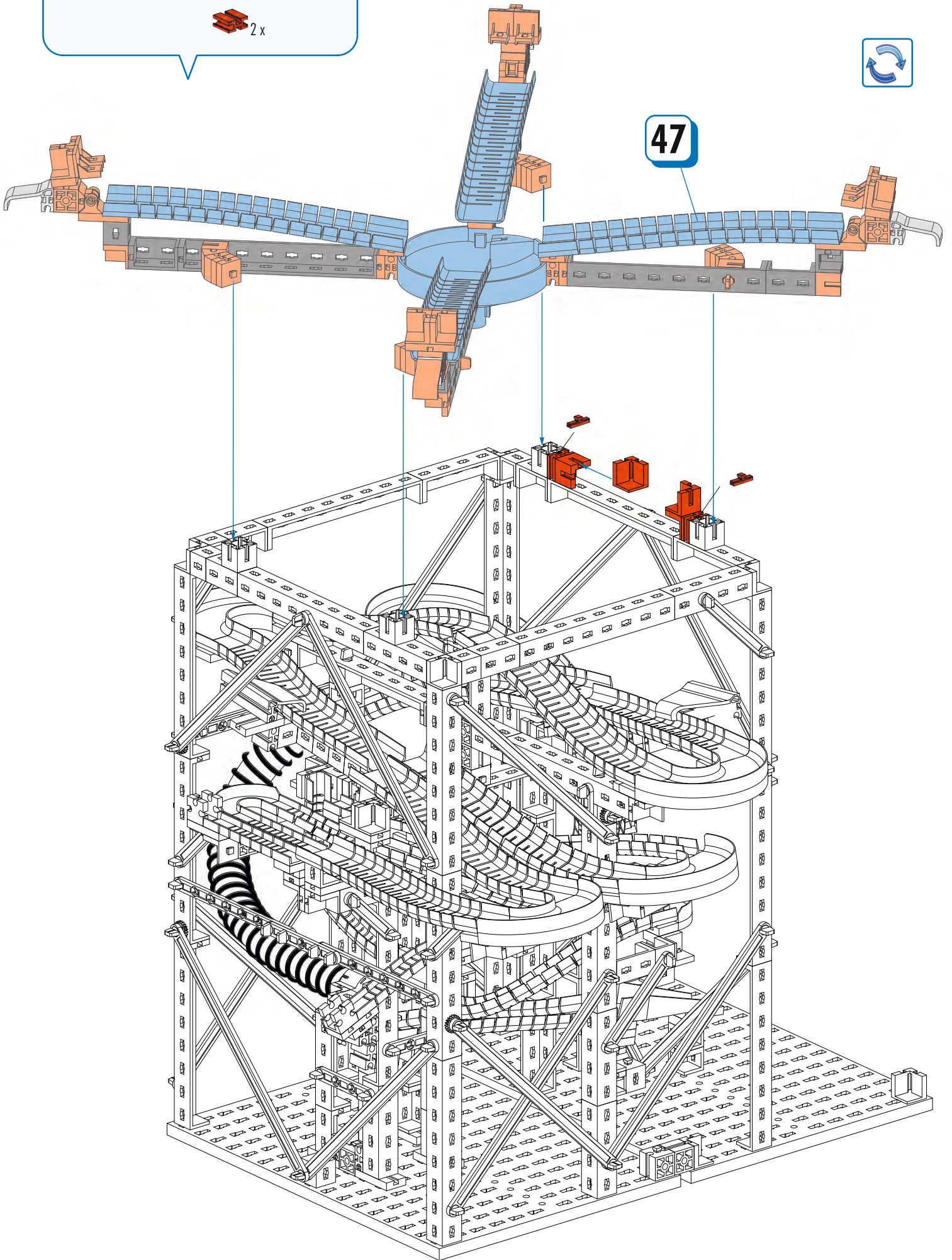
2 x



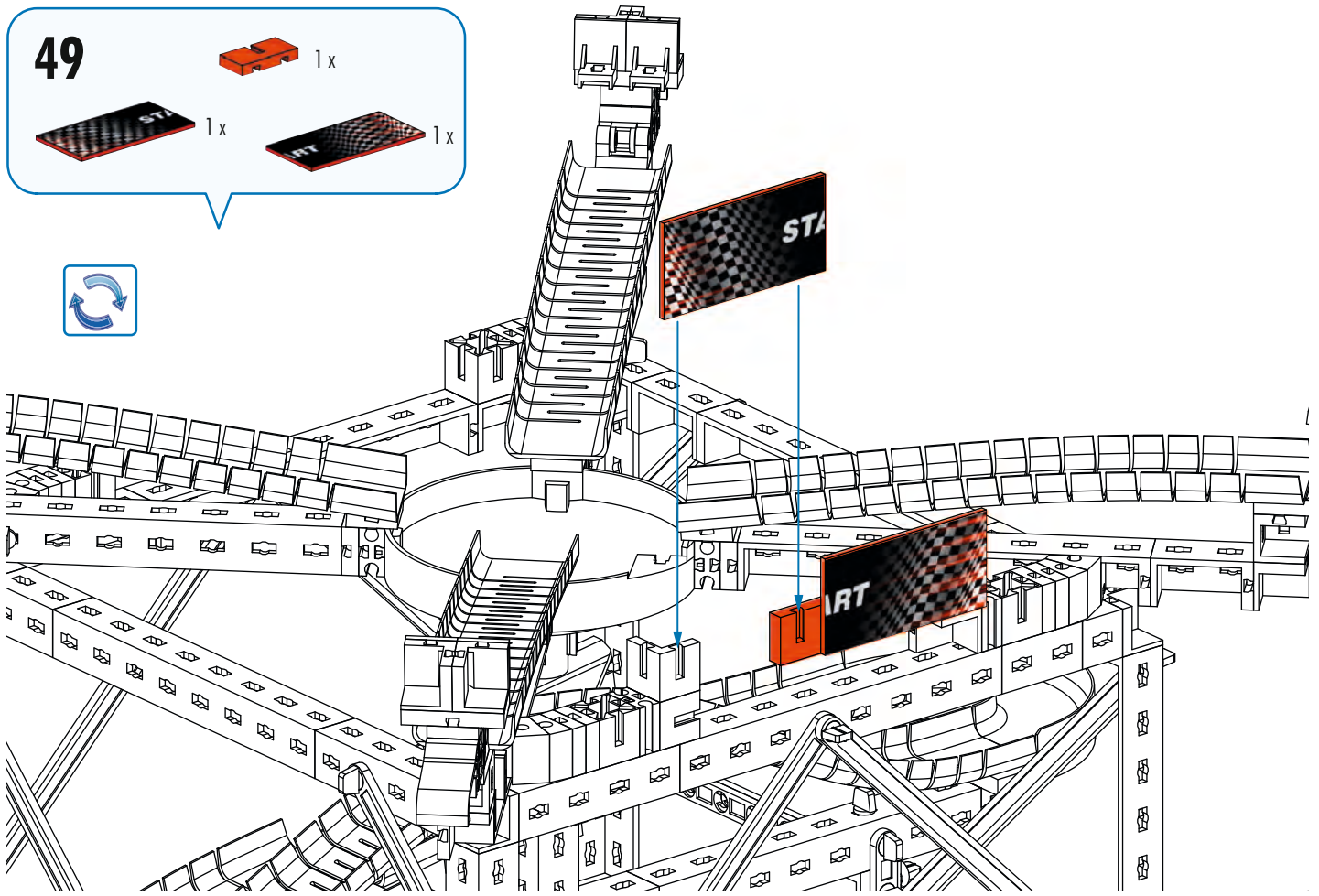
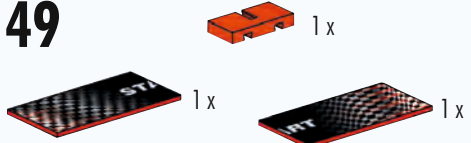
2 x



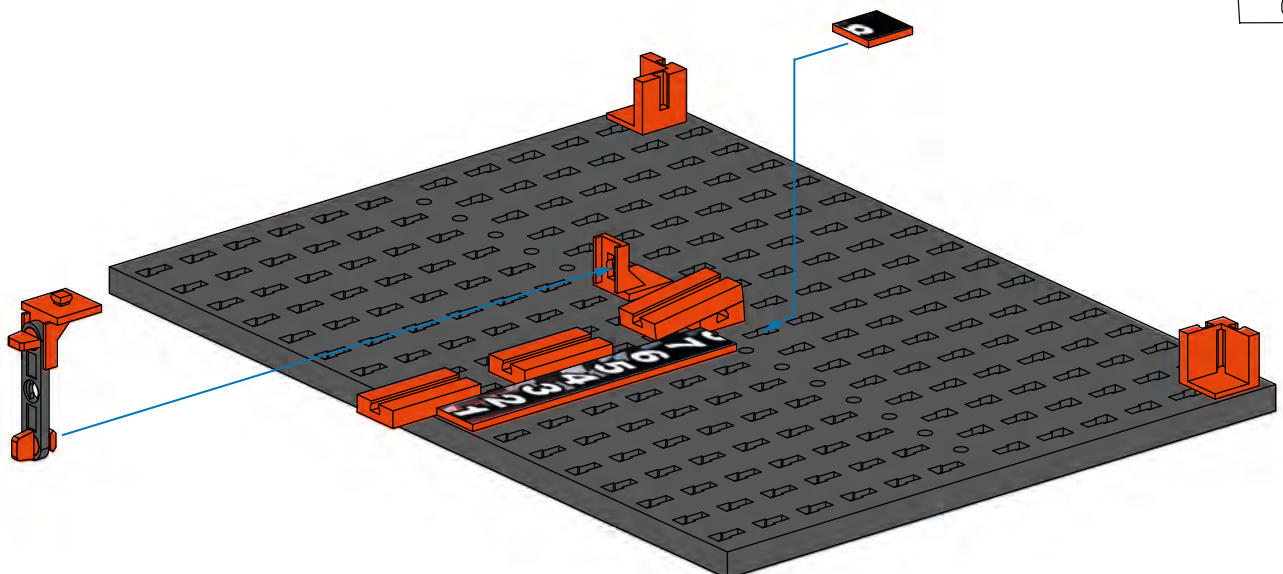
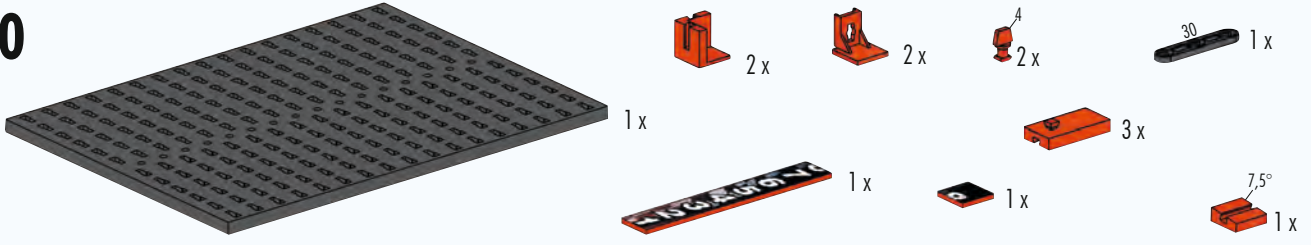
47



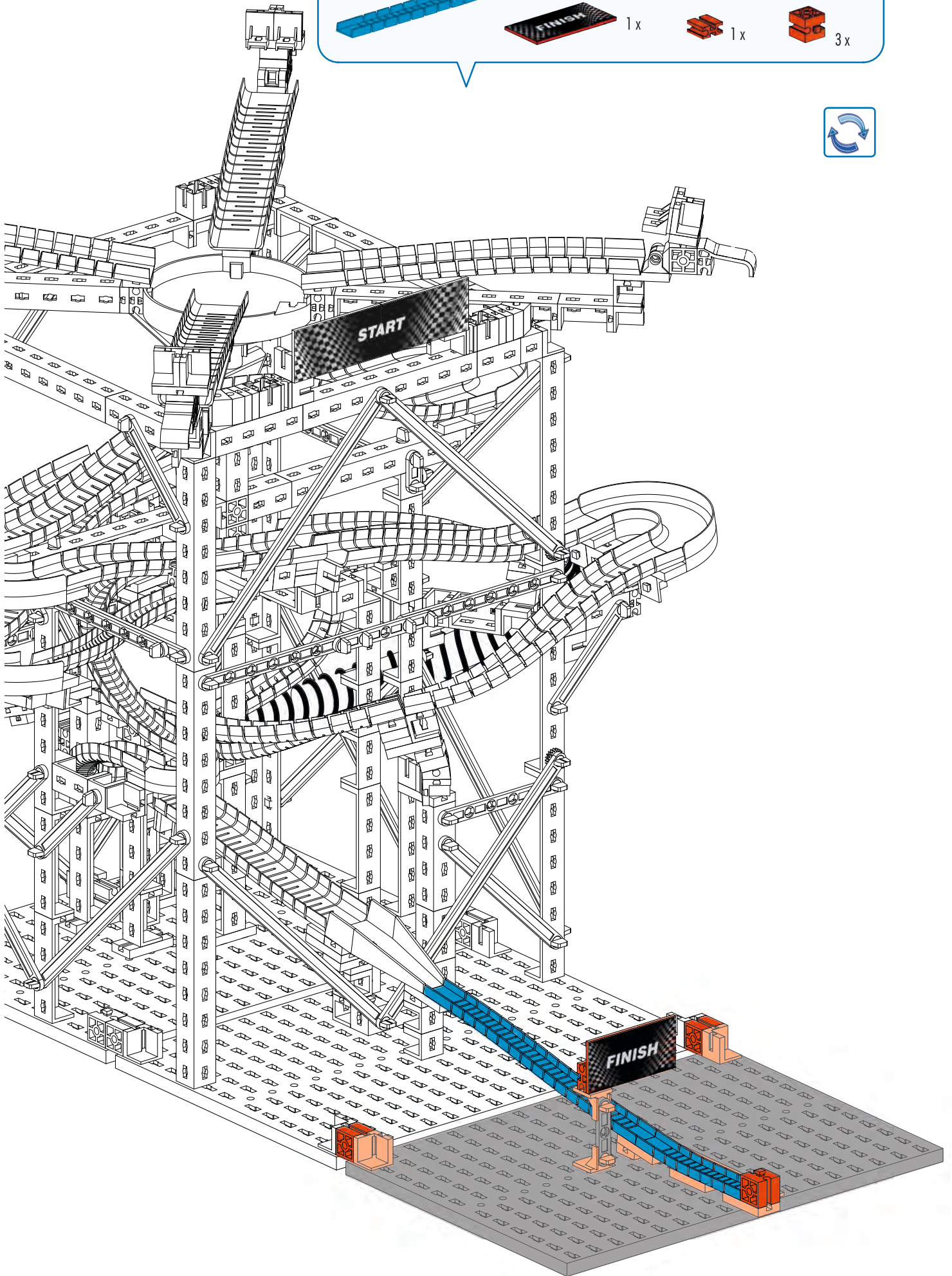
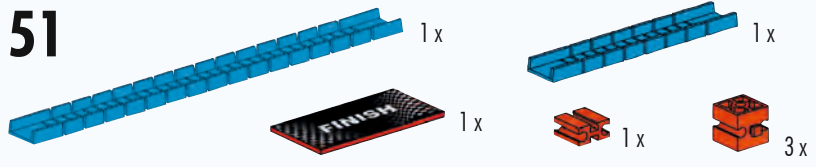
49

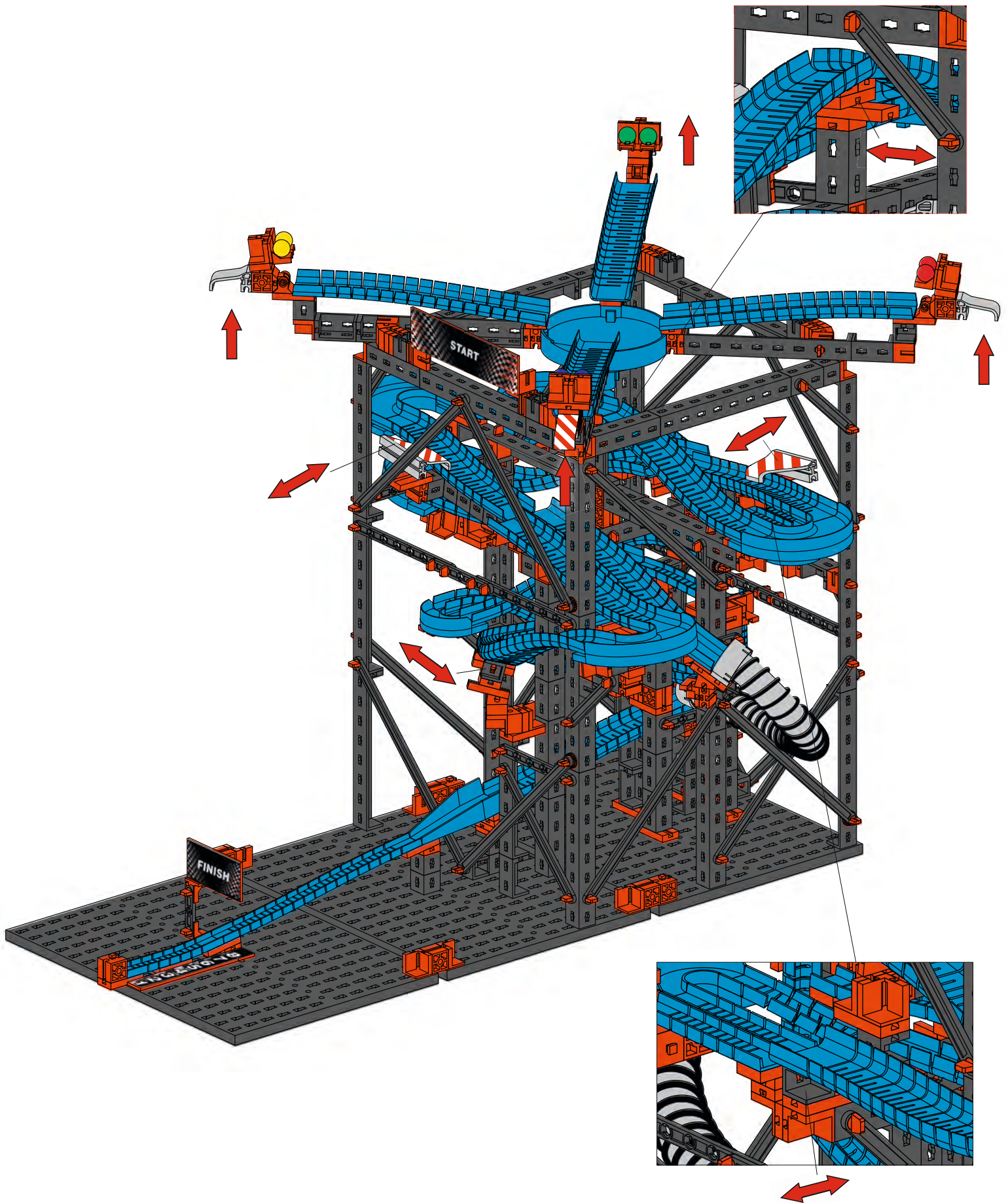


50



51





Modell in Action! / Model in action! / Modèle en service! / Model in actie! / ¡El modelo en acción! / Modelo em ação! / Il modello in azione! / Модель в действии! / 模型制作演示! :

<https://www.fischertechnik.de/marblecompetition/tutorials>





**U4**

# **Marble Competition**





# PROFI Marble Competition

**fischertechnik GmbH**

Klaus-Fischer-Str. 1  
72178 Waldachtal  
Germany

Phone: +49 74 43/12-43 69

Fax: +49 74 43/12-45 91

info@fischertechnik.de  
www.fischertechnik.de

[www.fischertechnik.de](http://www.fischertechnik.de)