

# Class Set Simple Machines

Bauanleitung  
Assembly instruction  
Instructions de montage  
Bouwhandleiding  
Instrucciones de construcción  
Manual de montagem  
Istruzioni di montaggio  
Инструкция по сборке  
安装说明书



**S T E M** M A T H E M A T I K  
I N F O R M A T I K  
N A T U R W I S S E N S C H A F T  
T E C H N I K

 SCIENCE  TECHNOLOGY  ENGINEERING  MATHEMATICS

10 Models

- Mit dem fischertechnik eLearning Portal geben wir dir die Möglichkeit, noch mehr Hintergrundwissen zum Thema des Baukastens zu erhalten. Über <https://www.fischertechnik.de/elearning-classeset-simplemachines> gelangen Sie direkt zum eLearning Portal.
- The fischertechnik eLearning Portal provides even more background knowledge on the topic of the building set. You can access the portal directly at <https://www.fischertechnik.de/elearning-classeset-simplemachines>
- Avec le portail e-learning fischertechnik, nous t'offrons la possibilité d'acquérir encore plus de connaissances de base au sujet du kit de construction. Tu peux accéder directement au portail via le lien <https://www.fischertechnik.de/elearning-classeset-simplemachines>
- Met het fischertechnik eLearning portaal geven wij jou de mogelijkheid, nog meer achtergrondkennis over het thema van de bouwdoos te verkrijgen. Via <https://www.fischertechnik.de/elearning-classeset-simplemachines> kom je rechtstreeks naar het portaal.
- Con el portal de eLearning de fischertechnik, te damos la posibilidad de obtener aún más conocimientos básicos sobre el tema del kit de montaje. Para acceder al portal, ingresa a <https://www.fischertechnik.de/elearning-classeset-simplemachines>
- Com o portal de eLearning da fischertechnik damos lhe a possibilidade de obter ainda mais conhecimentos aprofundados sobre os kits de construção. Em <https://www.fischertechnik.de/elearning-classeset-simplemachines> pode aceder diretamente ao portal de eLearning.
- Com o portal de aprendizagem virtual da fischertechnik, oferecemos a oportunidade de receber ainda mais informações contextuais sobre o tema kits de construção. Acesse o portal diretamente através do endereço <https://www.fischertechnik.de/elearning-classeset-simplemachines>
- На обучающем интернет-портале компании fischertechnik вы получите еще больше базовых знаний по теме конструирования. Ссылка <https://www.fischertechnik.de/elearning-classeset-simplemachines> ведет прямо на портал.
- 通过 fischertechnik 线上学习门户，我们让您能有机会了解更多有关该模块主题的背景知识。可通过 <https://www.fischertechnik.de/elearning-classeset-simplemachines> 直接前往该门户。



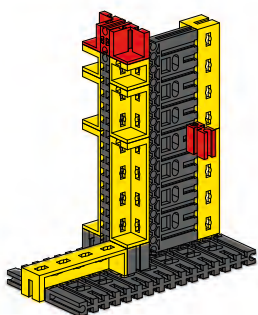
**Inhalt**  
**Contents**  
**Contenu**

**Inhoud**  
**Contenido**  
**Conteúdo**

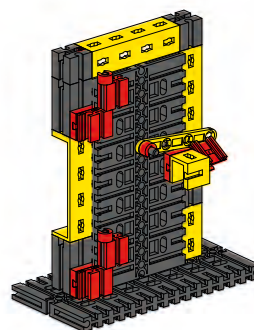
**Contenuto**  
**Содержание**  
**目录**

Einzelteilübersicht / Spare parts list / Liste des pièces détachées / Onderdelenoverzicht / Lista da piezas / Resumo de peça individual /  
 Singoli componenti / Перечень деталей / 零件概览 ..... 2

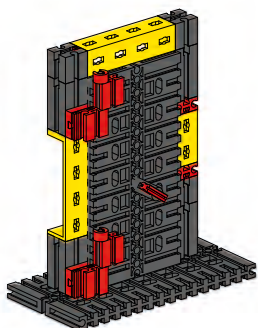
Montagetips / Tips for assembly / Tuyaux pour le montage / Montagetips / Consejos para el montaje / "Dicas" para montagem /  
 Consigli per il montaggio / Советы по сборке / 装配建议 ..... 4



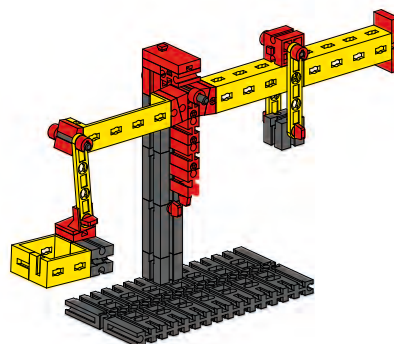
Schiebetür / Sliding door / Porte coulissante / Schuifdeur /  
 Puerta corredera / Porta deslizante / Porta scorrevole /  
 Раздвижная дверь / 滑动门 .....5



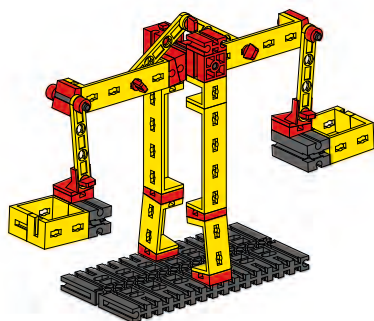
Gartentür / Garden door / Porte de jardin / Tuindeur / Puerta del jardín /  
 Porta do jardim / Porta del giardino / Садовая дверь /  
 花园门 .....8



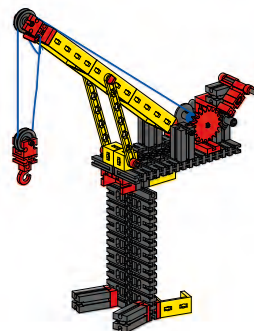
Zimmertür / Room door / Porte de chambre / Kamerdeur /  
 Puerta de la habitación / Porta do quarto/ Porta della camera /  
 Дверь в комнату / 房门 .....11



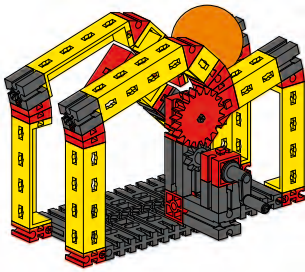
Schiebewaage / Sliding trolley / Pont coulissant / Schuifvloer /  
 Suelo deslizante / Piso deslizante / Pavimento scorrevole /  
 Раздвижной пол / 滑动地板 .....15



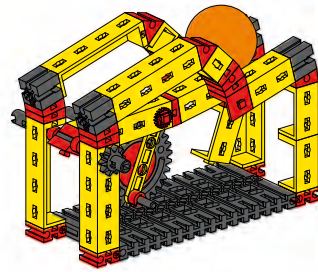
Balkenwaage / Beam scale / Balance à poutre / Balk schaal /  
 Escala de vigas / Escala de feixe / Equilibrio del fascio /  
 Балочная шкала / 光束比例 .....19



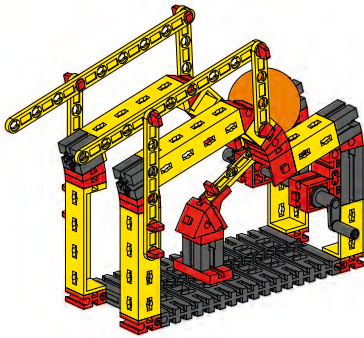
Kran / Crane / Grue / Kraan / Grúa / Guindaste / Gru /  
 Кран / 起重机 .....22



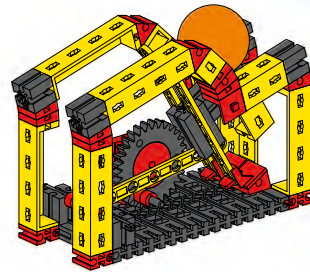
Ballweitergabe 1 / Ball forwarding 1 / Transmission du ballon 1 /  
Ballen doorgeven 1 / Pase de balón 1 / Passe de bola 1 /  
Passaggio di palla 1 / Передача мяча 1 / 传球 1 .....29



Ballweitergabe 2 / Ball forwarding 2 / Transmission du ballon 2 /  
Ballen doorgeven 2 / Pase de balón 2 / Passe de bola 2 /  
Passaggio di palla 2 / Передача мяча 2 / 传球 2 .....34



Ballweitergabe 1 / Ball forwarding 1 / Transmission du ballon 1 /  
Ballen doorgeven 1 / Pase de balón 1 / Passe de bola 1 /  
Passaggio di palla 1 / Передача мяча 1 / 传球 1 .....38

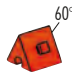







Ballweitergabe 2 / Ball forwarding 2 / Transmission du ballon 2 /  
Ballen doorgeven 2 / Pase de balón 2 / Passe de bola 2 /  
Passaggio di palla 2 / Передача мяча 2 / 传球 2 .....43



**Einzelteilübersicht**  
**Spare parts list**  
**Liste des pièces détachées**

**Onderdelenoverzicht**  
**Lista da piezas**  
**Resumo de peça individual**














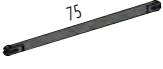
**Singoli componenti**  
**Перечень деталей**  
**零件概览**

	31 010 3 x
	31 011 2 x
	31 058 1x







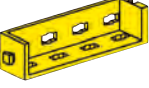







	31 060 3 x
	31 597 2 x
	31 674 2 x

	31 690 2 x
	31 981 6 x
	31 982 12 x










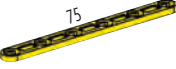



**Einzelteilübersicht**  
**Spare parts list**  
**Liste des pièces détachées**

	32 064 3 x
	32 071 9 x
	32 869 1 x
	32 879 4 x
	32 881 6 x
	35 031 1 x
	35 049 3 x
	35 053 2 x
	35 060 2 x
	35 063 1 x
	35 064 1 x
	35 069 1 x
	35 070 1 x
	35 087 1 x

**Onderdelenoverzicht**  
**Lista da piezas**  
**Resumo de peça individual**

	35 088 1 x
	35 129 2 x
	35 797 2 x
	35 945 1 x
	36 227 1 x
	36 264 1 x
	36 297 6 x
	36 299 6 x
	36 323 12 x
	36 324 1 x
	36 334 1 x
	36 819 1 x
	37 237 3 x
	37 468 8 x

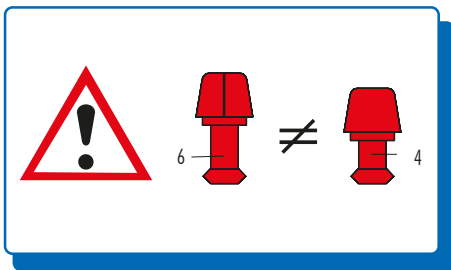
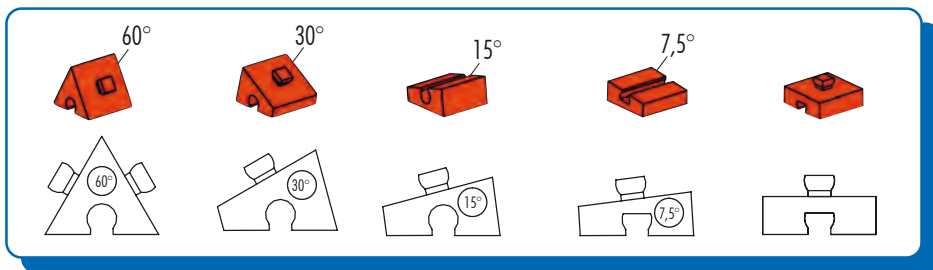
**Singoli componenti**  
**Перечень деталей**  
**零件概览**

	37 636 2 x
	37 679 7 x
	38 225 1 x
	38 240 2 x
	38 413 3 x
	38 415 2 x
	38 428 2 x
	38 531 3 x
	38 541 4 x
	38 545 2 x
	130 593 1 x
	137 677 1 x
	154 485 1 x

**Montagetipps**  
**Tips for assembly**  
**Tuyaux pour le montage**

**Montagetips**  
**Consejos para el montaje**  
**"Dicas" para montagem**

**Consigli per il montaggio**  
**Советы по сборке**  
**装配建议**



**Sicherheitshinweise**  
**Safety Information**  
**Consignes de sécurité**

**Veiligheidsrichtlijnen**  
**Indicaciones de seguridad**  
**Observações sobre segurança**

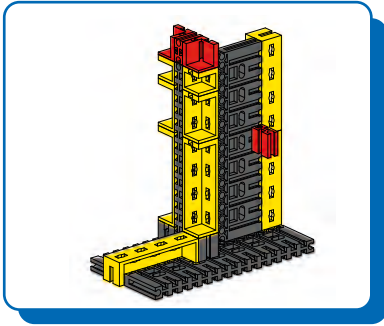
**Informazioni per la sicurezza**  
**Указания по технике безопасности**  
**安全指南**

- Achtung! Verletzungsgefahr an Bauteilen mit funktionsbedingten scharfen Kanten und Spitzen!
- Caution! Be careful not to hurt yourself on components with sharp or pointed edges!
- Attention! Risque de blessure sur les éléments comportant des arêtes et o pointes vives indispensables au bon fonctionnement!
- Let op! U kunt zich bezeren aan bouwstenen met scherpe randen of punten!
- Attenzione! Esiste il pericolo di lesione con i pezzi di costruzione che hanno bordi e punte spigolosi necessari per la funzionalità del pezzo!
- Atenção! Perigo de ferimentos em peças componentes com cantos vivos e pontas obrigatórios para o funcionamento!
- Attenzione! Pericolo di lesioni dovute a componenti con spigoli vivi e punte per motivi funzionali!
- Будьте осторожны! Об острые края деталей и и наконечники можно порезаться!
- 注意！因功能需要而带有锋利的棱边和尖角的部件可能会带来受伤危险！

- Alle Einzelteile, insbesondere bewegliche Teile sind falls notwendig zu warten und zu reinigen.
- All components, especially moving parts, should be maintained and cleaned as necessary.
- Toutes les pièces détachées et en particulier les pièces mobiles, sont, si nécessaire, à entretenir et à nettoyer.
- Alle onderdelen, vooral de bewegende delen, kunnen, indien noodzakelijk, onderhouden en gereinigd worden.
- Es necesario mantener limpio y en buen estado cada una de las piezas. Particularmente las piezas móviles.
- Todas as peças individuais, especialmente peças móveis, devem ser submetidas à manutenção e limpas se necessário.
- Se necessario, tutti i singoli componenti, soprattutto le parti mobili, si devono eventualmente sottoporre a manutenzione e pulizia.
- Все детали, особенно подвижные, требуют ухода и чистки.
- 必要时应保养和清洁所有零件，尤指运动部件。

 Hinweise zum Umweltschutz / Instructions for Environmental Protection / Remarques de protection de l'environnement / Bescherming van het milieu / Notas con respecto a la protección del medio ambiente / Instruções para a proteção do meio ambiente / Indicazioni sulla tutela ambientale / Указания по охране окружающей среды / 有关环保的提示：

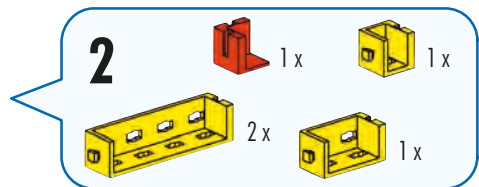
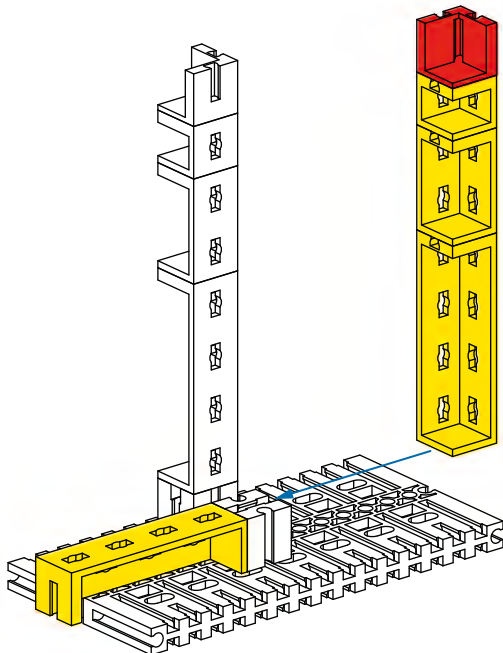
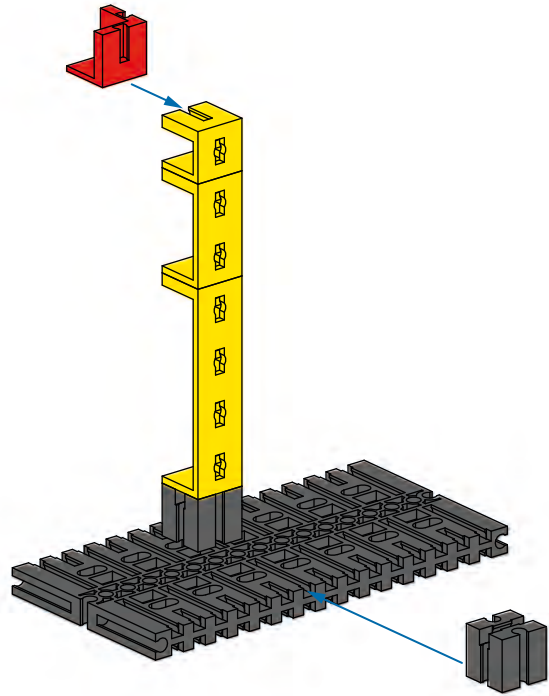
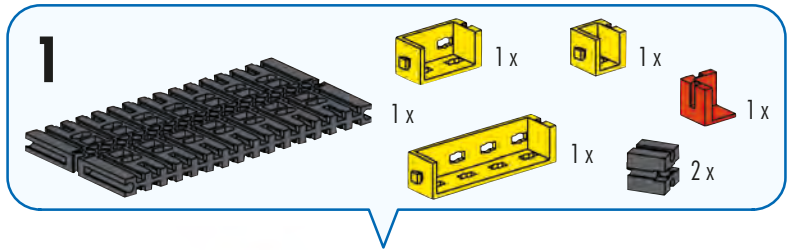
[www.fischertechnik.de/environment](http://www.fischertechnik.de/environment)

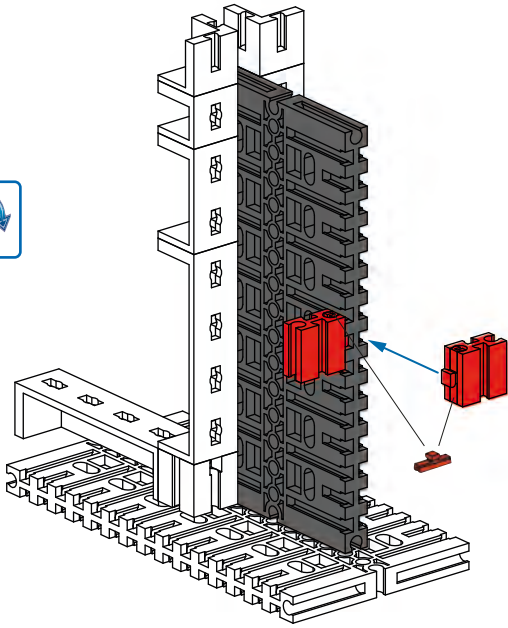


Schiebetür  
Sliding door  
Porte coulissante

Schuifdeur  
Puerta corredera  
Porta deslizante

Porta scorrevole  
Раздвижная дверь  
滑动门



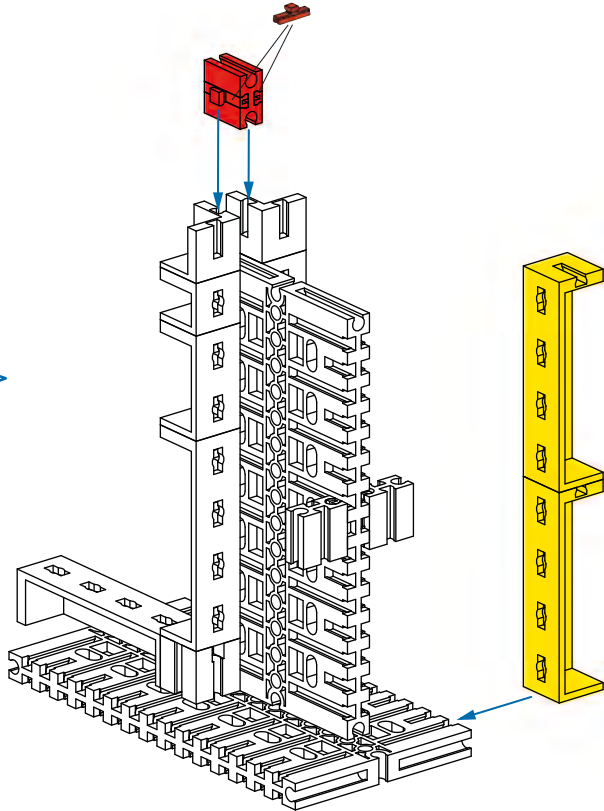


**3**

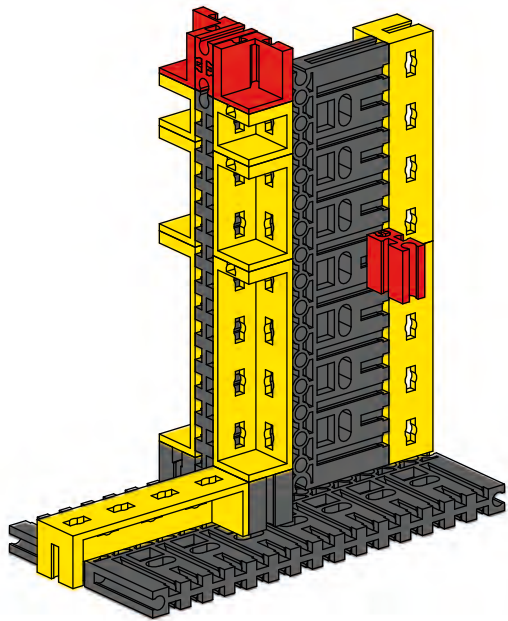
- 1 x [Grey Technic Beam]
- 2 x [Red Technic Pin]
- 2 x [Red Technic Connector]

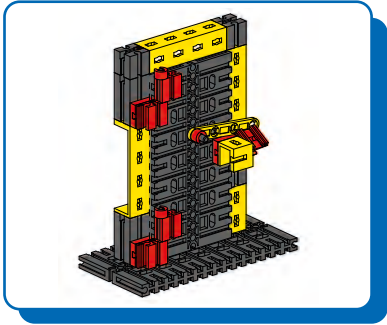
**4**

- 1 x [Red Technic Pin]
- 2 x [Red Technic Connector]
- 2 x [Yellow Technic Beam]












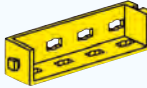

**Gartentür**  
**Garden door**  
**Porte de jardin**

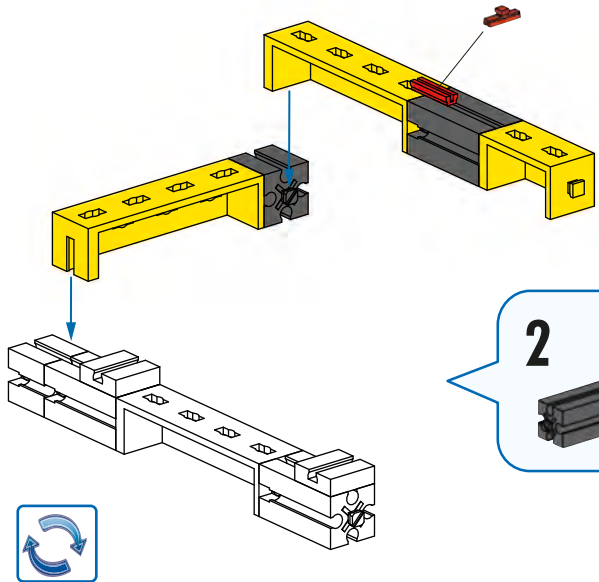
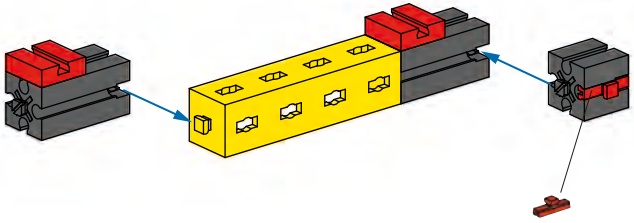
**Tuin deur**  
**Puerta del jardín**  
**Porta do jardim**

**Porta del giardino**  
**Садовая дверь**  
**花园门**



**1**


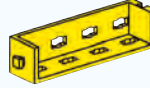

 2x    
  1x

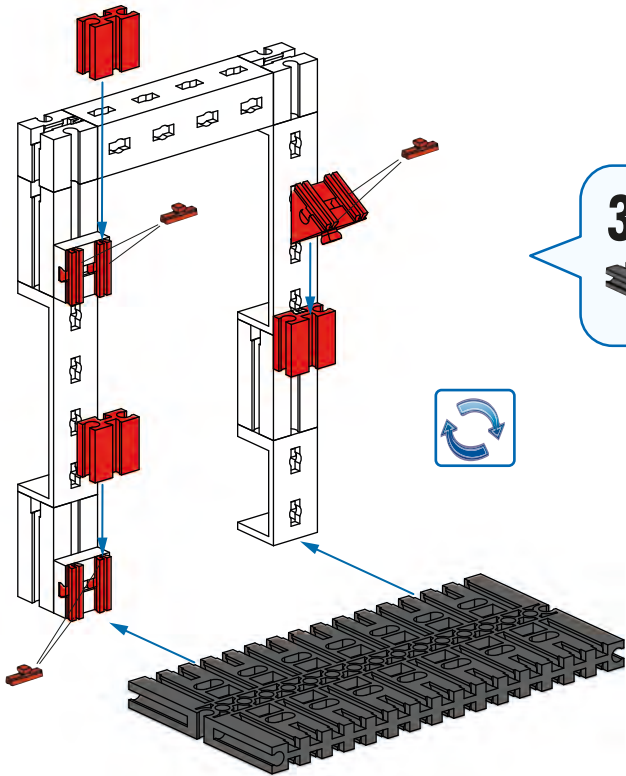
 2x    
  1x    
  1x



**2**

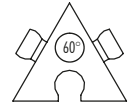
 1x    
  1x

 1x    
  2x    
  1x



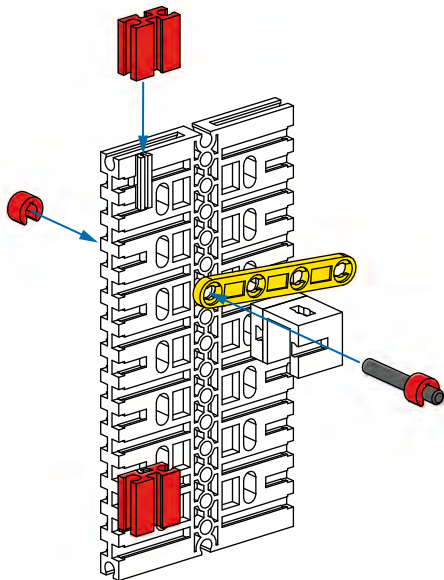
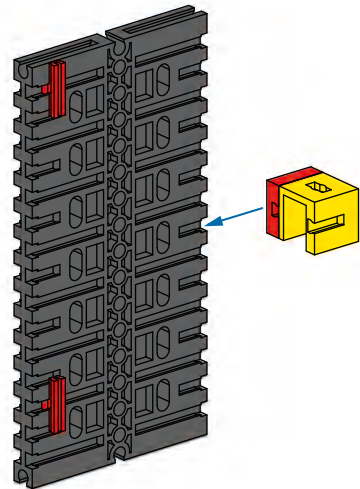
**3**

- 1 x [Grey Technic Beam]
- 3 x [Red Technic Pin]
- 6 x [Red Technic Pin]
- 1 x [Red Technic 60° Wedge]



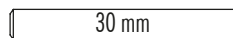
**4**

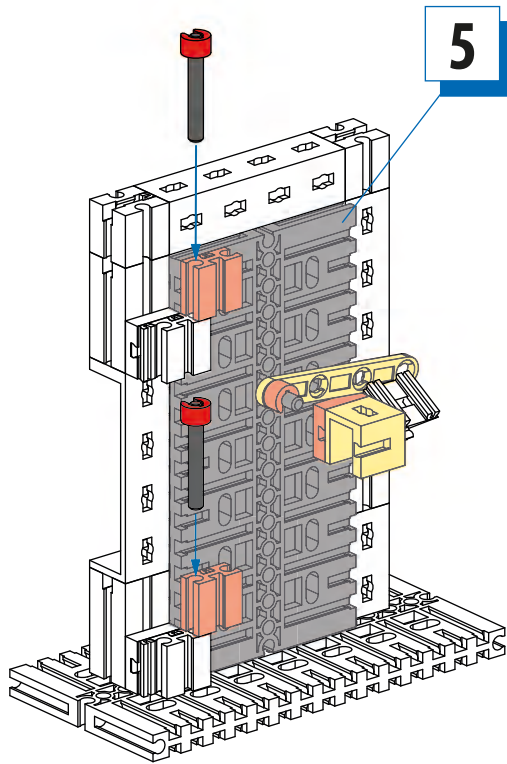
- 2 x [Red Technic Pin]
- 1 x [Red Technic Pin]
- 1 x [Red Technic Pin]
- 1 x [Yellow Technic Connector]




**5**

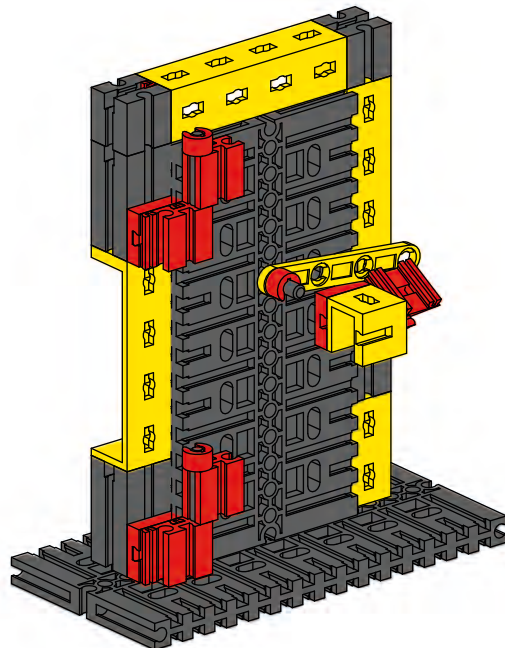
- 1 x [Grey Technic Pin 30]
- 2 x [Red Technic Pin]
- 2 x [Red Technic Pin]
- 1 x [Yellow Technic Level 45]

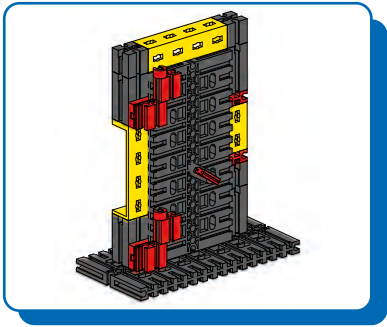




6 <sup>30</sup> 2 x  2 x

30 mm






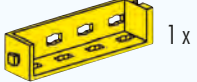



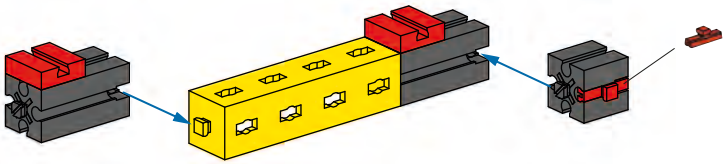
Zimmertür  
Room door  
Porte de chambre

Kamerdeur  
Puerta de la habitación  
Porta do quarto





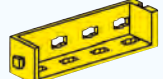

Porta della camera  
Дверь в комнату  
房门

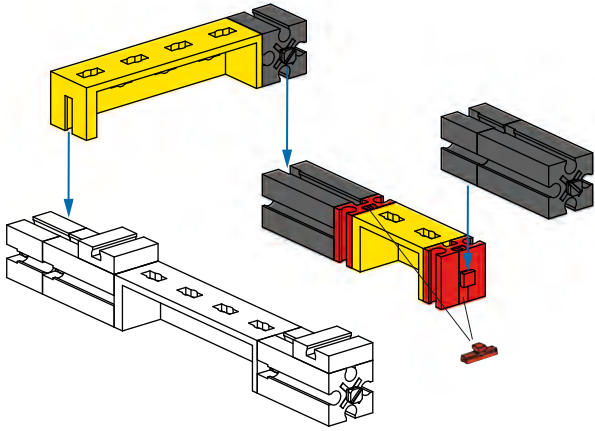
**1**

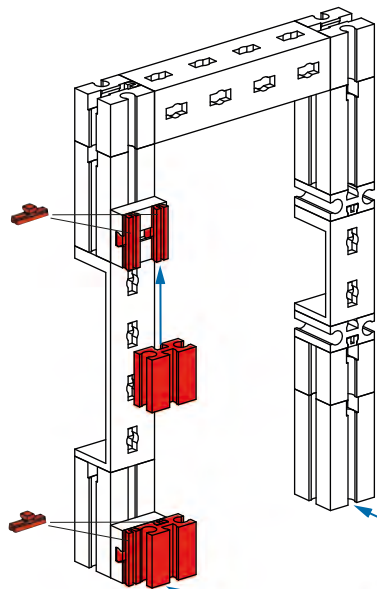
 2x    
  1x  
 2x    
  1x    
  1x



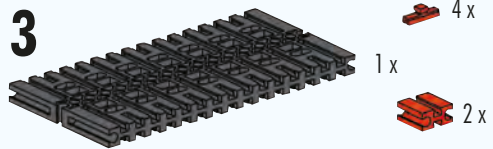
**2**

 1x    
  2x    
  2x  
 2x    
  1x    
  2x

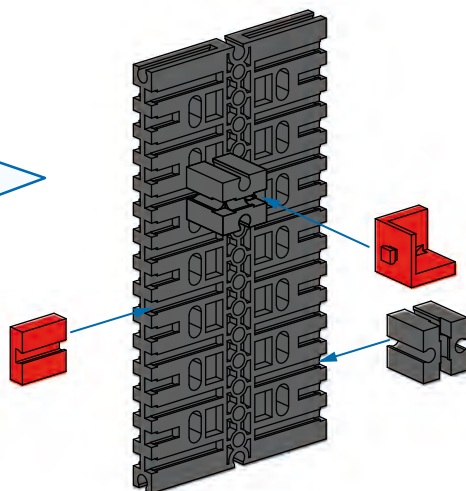
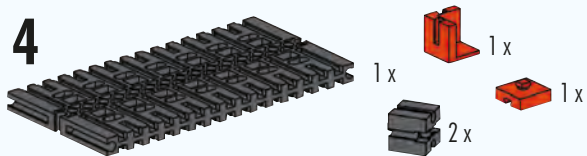


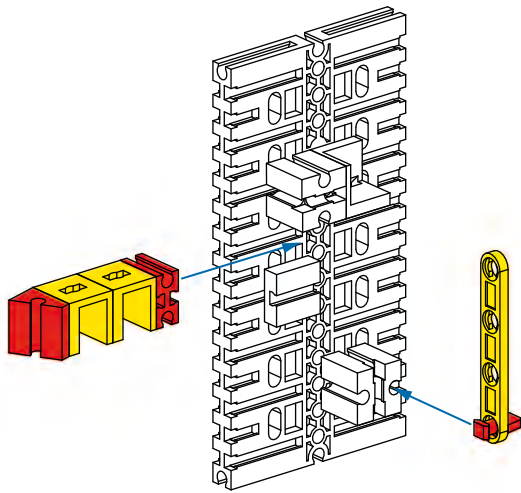


3

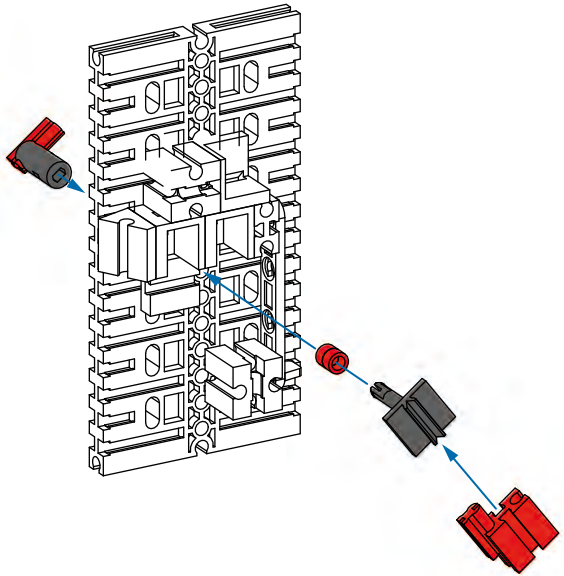
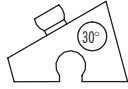


4

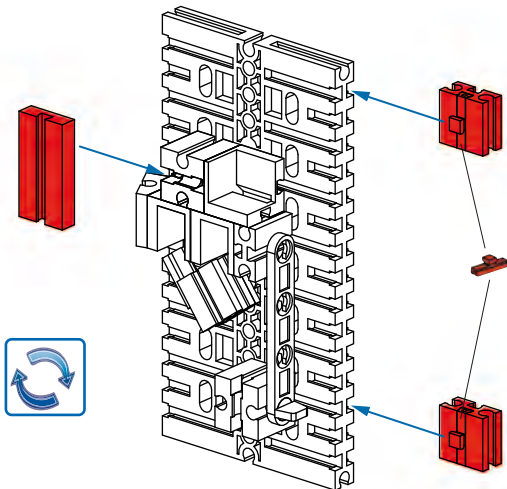




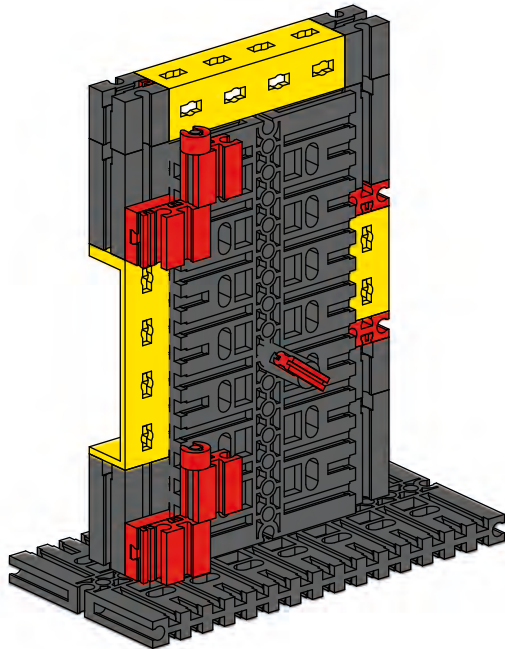
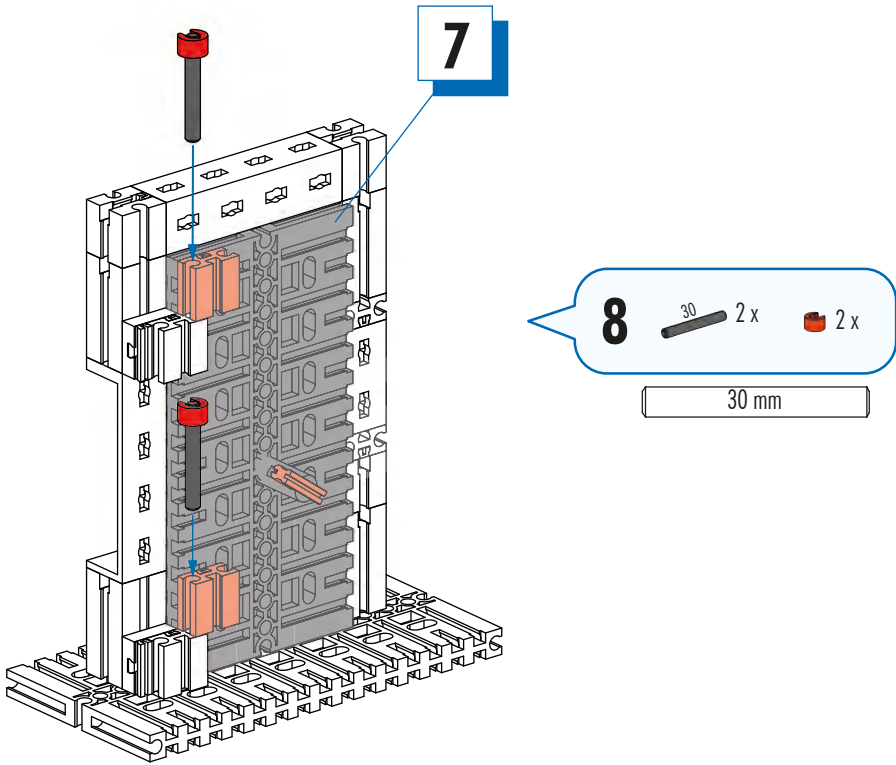
- 5**
- Red 1x3 Technic Beam 1x
  - Red Technic Pin with Friction Ridge 1x
  - Yellow Technic Pin with Friction Ridge 45 1x
  - Yellow Technic Pin with Friction Ridge 30° 2x
  - Red Technic Pin with Friction Ridge 30° 1x



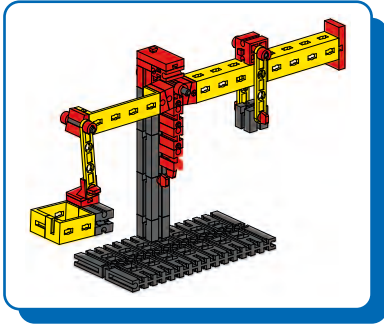
- 6**
- Grey Technic Axle 1x
  - Red Technic Pin with Friction Ridge 2x
  - Red 1x3 Technic Beam 1x
  - Red Technic Pin with Friction Ridge 15 2x
  - Grey Technic Axle Connector 1x



- 7**
- Red 1x3 Technic Beam 2x
  - Red Technic Pin with Friction Ridge 1x
  - Red Technic Pin with Friction Ridge 2x



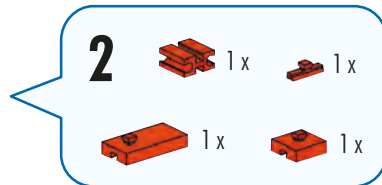
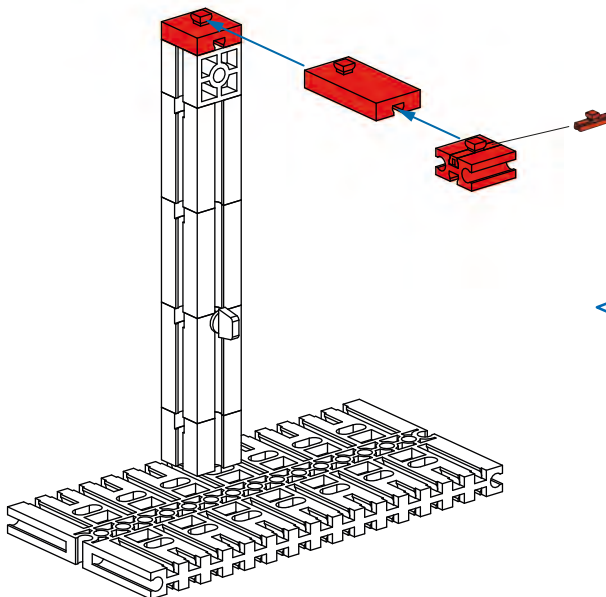
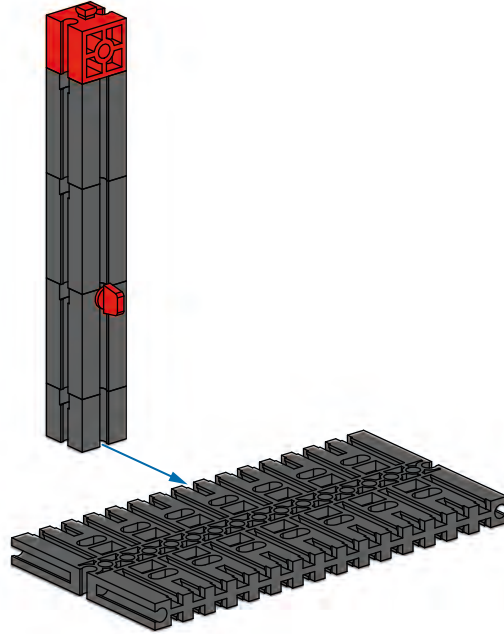
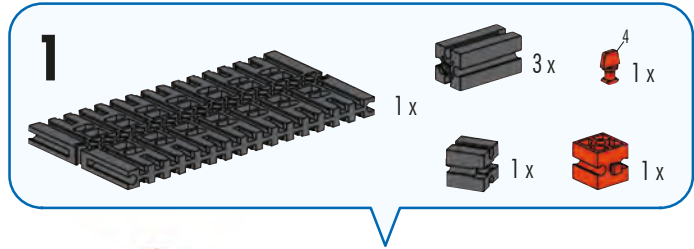




Balkenwaage  
Beam scale  
Balance à poutre

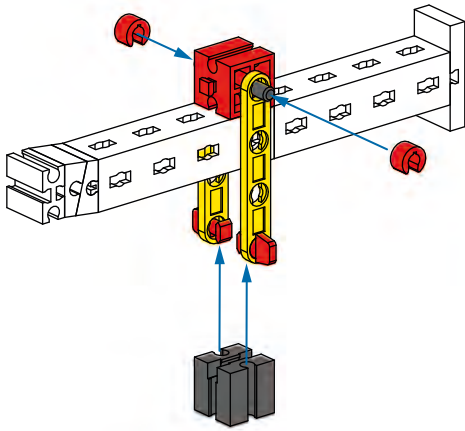
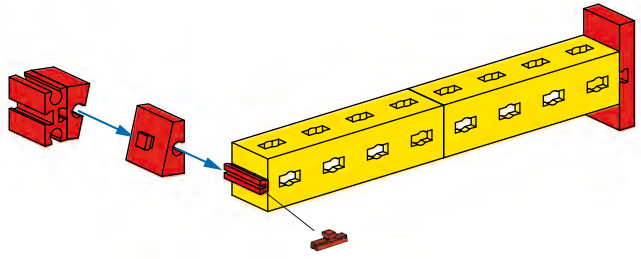
Balansweegschaal  
Escala de la viga  
Escala de feixe

Scala della bilancia  
Балочная шкала  
光束比例



**3**

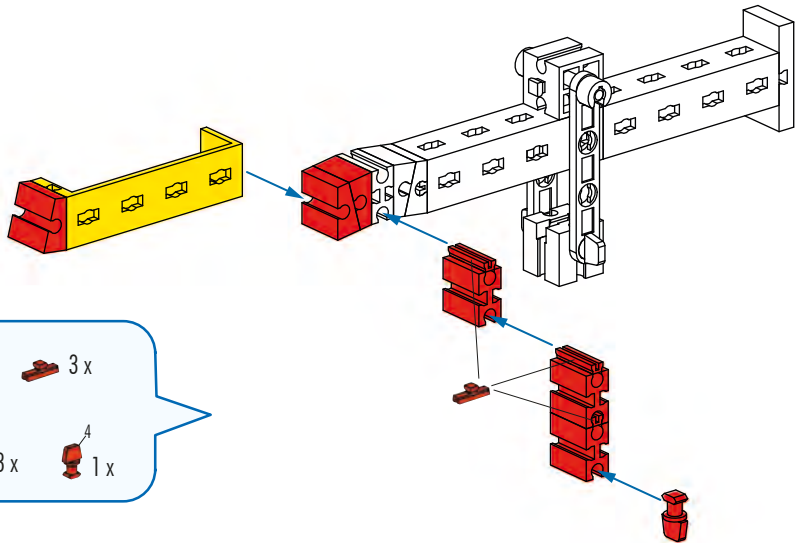
- 1 x [red 1x3 Technic Pin]
- 1 x [red 1x2 Technic Pin]
- 2 x [yellow 1x6 Technic Beam]
- 1 x [red 1x2 Technic Pin]
- 2 x [red 1x2 Technic Pin]
- 2 x [red 1x2 Technic Pin]



**4**

- 1 x [grey 1x2 Technic Pin]
- 1 x [grey 30mm Technic Pin]
- 2 x [red 1x2 Technic Pin]
- 2 x [yellow 1x6 Technic Beam]
- 1 x [red 1x2 Technic Pin]
- 2 x [red 1x2 Technic Pin]

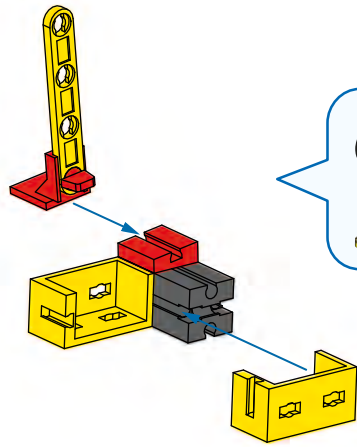
30 mm



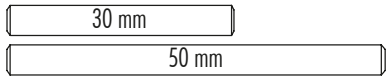
**5**

- 1 x [yellow 1x6 Technic Beam]
- 3 x [red 1x2 Technic Pin]
- 3 x [red 1x2 Technic Pin]
- 3 x [red 1x2 Technic Pin]
- 1 x [red 1x2 Technic Pin]

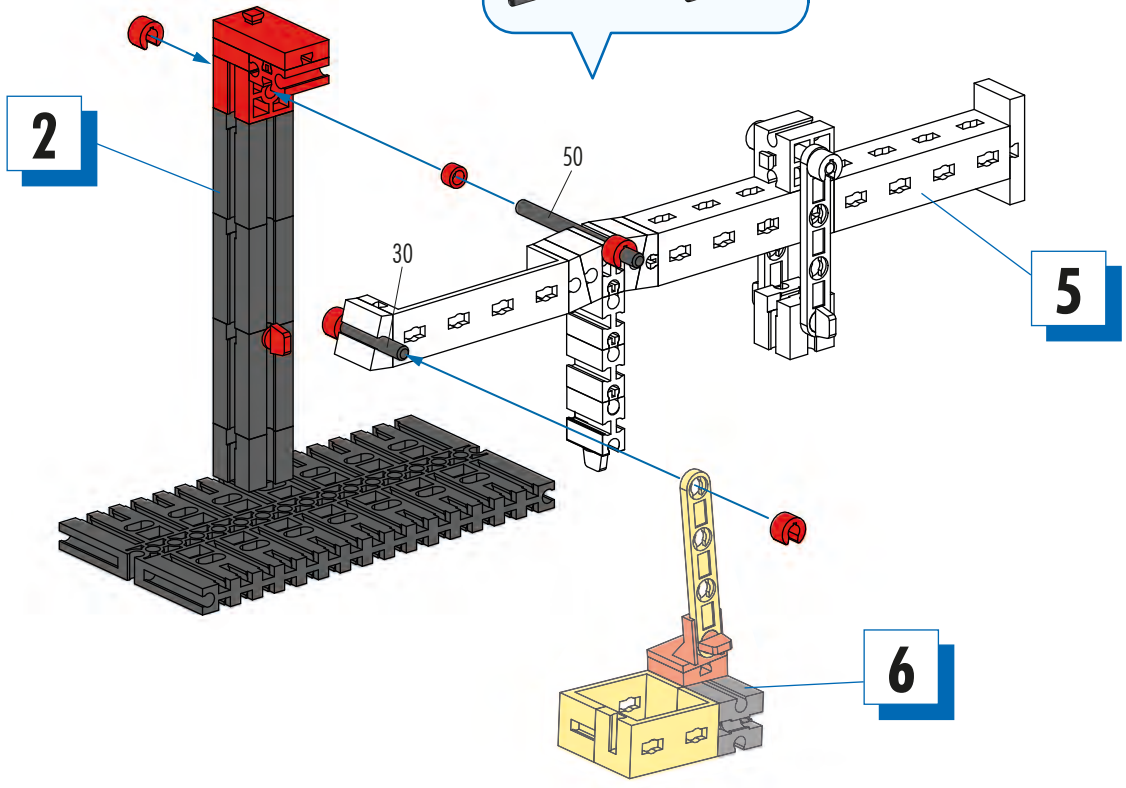


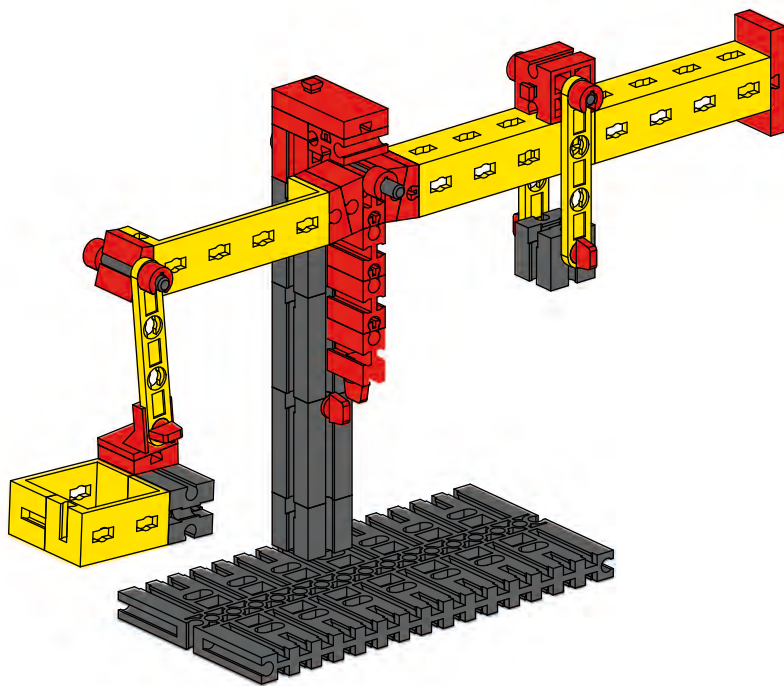


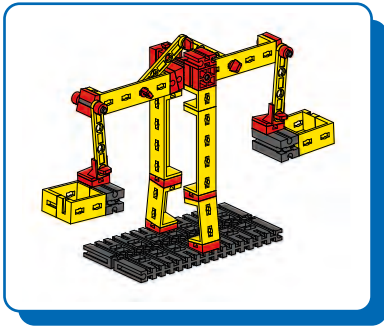
- 6**
- Red 1x4 Technic axle: 1 x
  - Red 1x4 Technic axle with 7.5° angle: 1 x
  - Red 1x4 Technic axle with 7.5° angle: 1 x
  - Yellow 1x4 Technic brick with grey 1x4 Technic axle: 1 x
  - Yellow 1x4 Technic brick: 2 x
  - Grey 1x4 Technic axle: 1 x



- 7**
- Red 1x4 Technic axle: 4 x
  - Red 1x4 Technic axle with 7.5° angle: 1 x
  - Grey 50 mm Technic axle: 1 x
  - Grey 30 mm Technic axle: 1 x







Schiebewaage  
Sliding trolley  
Pont coulissant

Schuifvloer  
Suelo deslizante  
Piso deslizante

Pavimento scorrevole  
Раздвижной пол  
滑动手推车

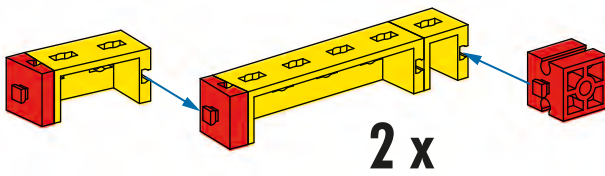
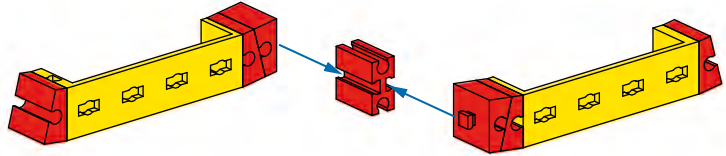
**1**

1 x

2 x

15°

6 x



**2**

2 x

2 x

7.5°

4 x

2 x

2 x



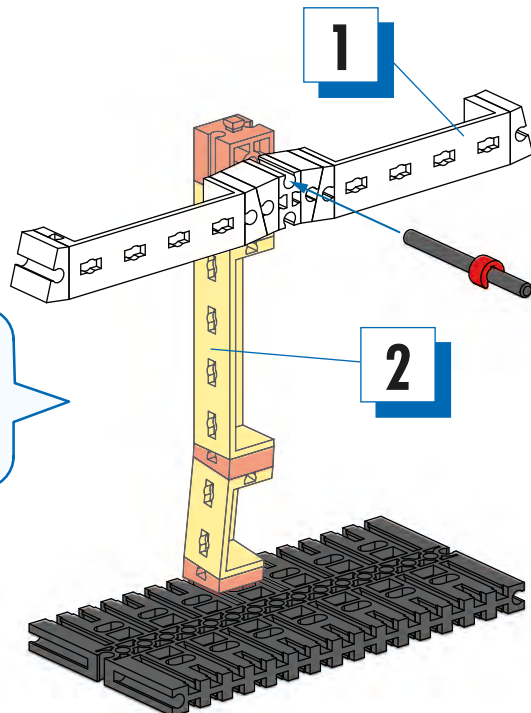
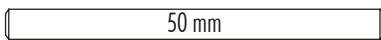
**3**

1 x

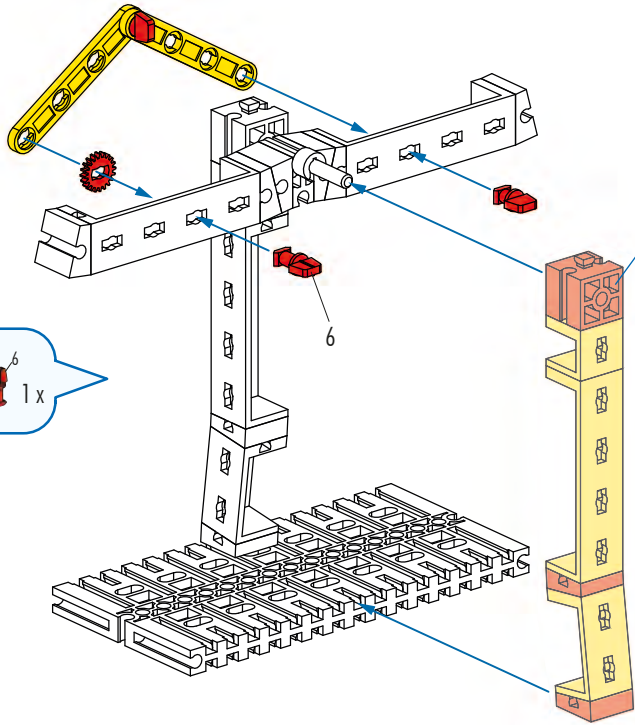
1 x

50

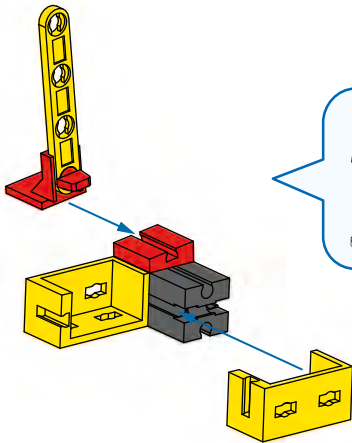
1 x



2



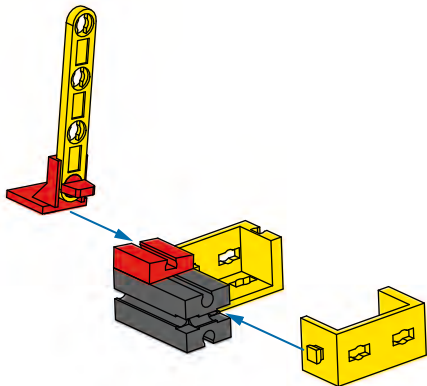
- 4**
- 45 2x
  - 1x
  - A 2x
  - 6 1x



- 5**
- A 1x
  - 7,5° 1x
  - 1x
  - 45 1x
  - 2x
  - 1x



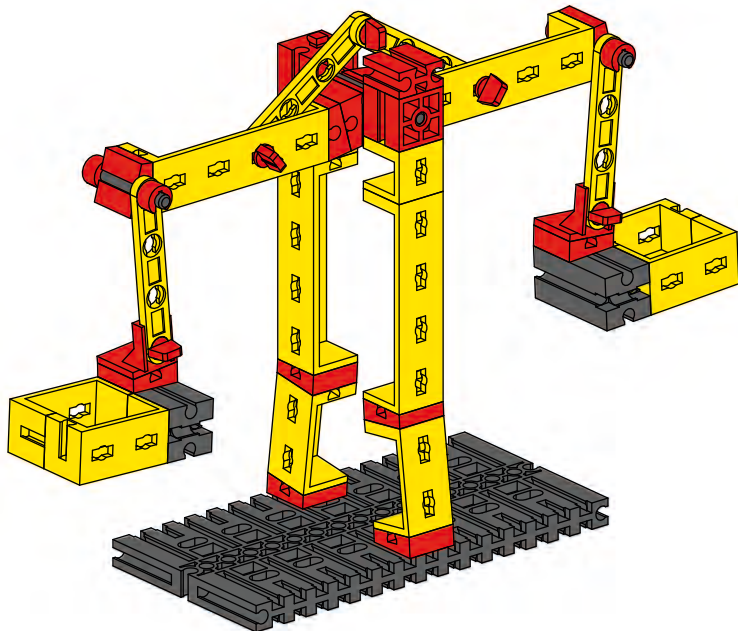
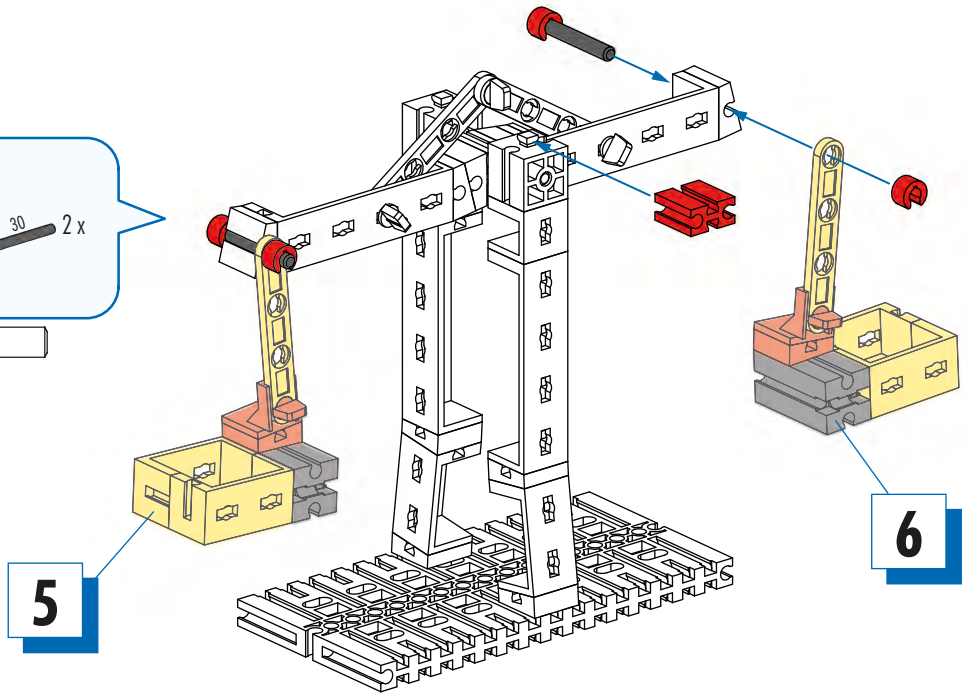
- 6**
- A 1x
  - 7,5° 1x
  - 1x
  - 45 1x
  - 2x
  - 1x

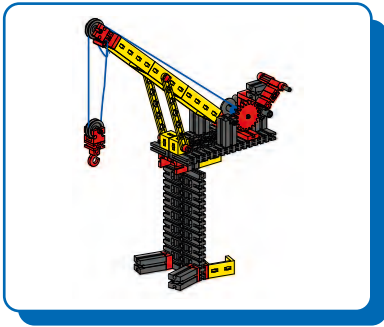


**7**

- 4 x
- 1 x
- 2 x

30 mm





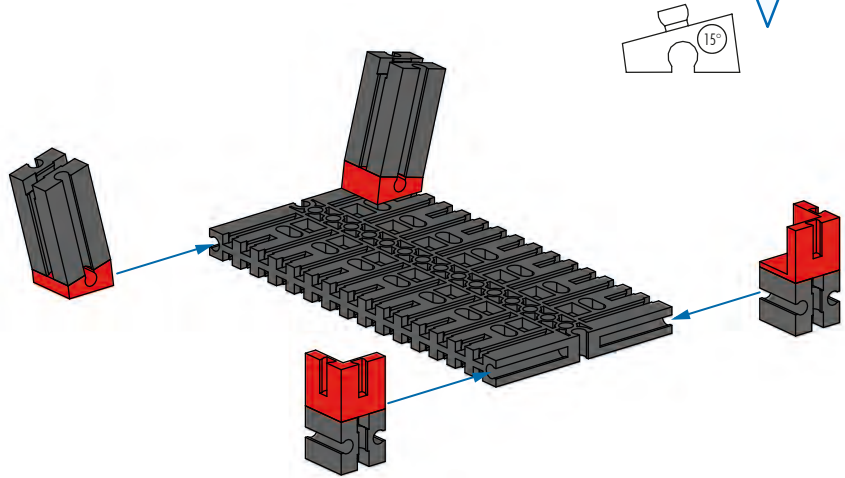
Kran  
Crane  
Grue

Kraan  
Grúa  
Guindaste

Gru  
Кран  
起重机

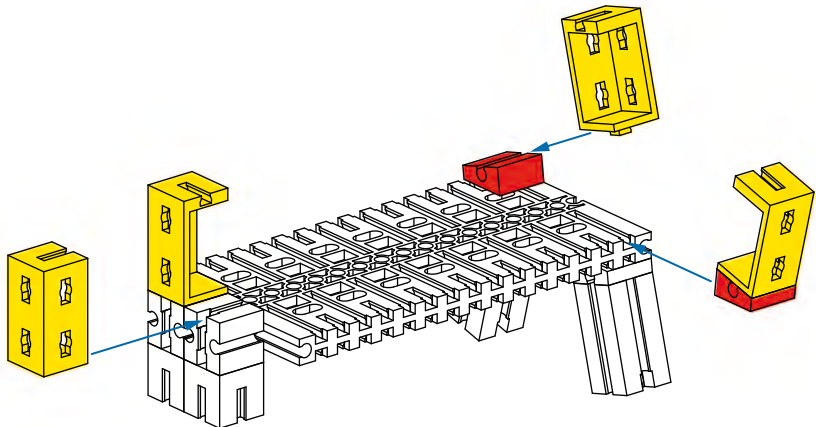
**1**

1 x  
2 x  
2 x  
2 x  
15° 2 x



**2**

4 x  
15° 2 x  
15°





**3**

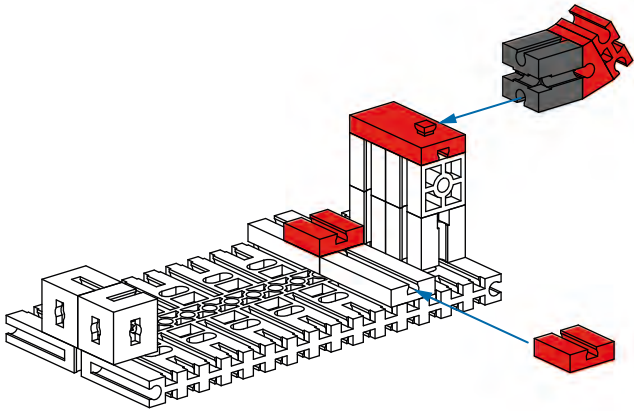
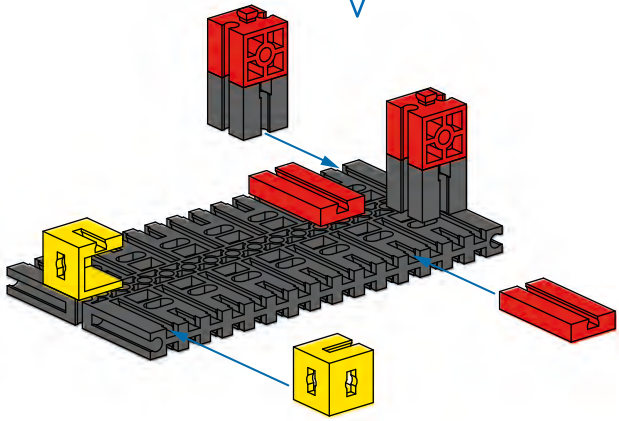
1x

2x

2x

2x

2x



**4**

1x

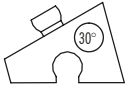
1x

1x

2x

1x

30°



**5**

2x

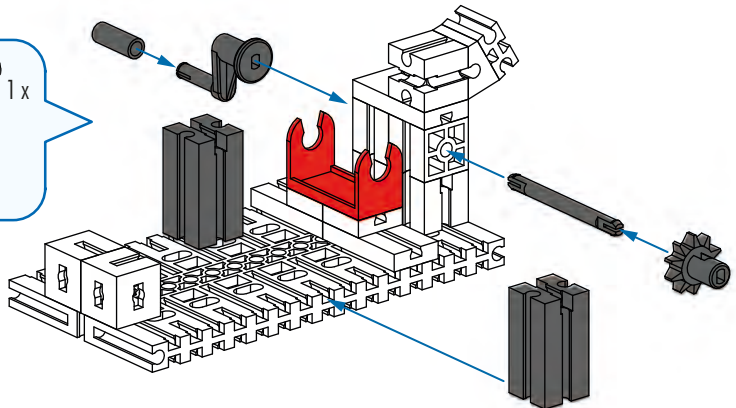
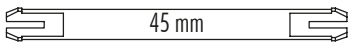
1x

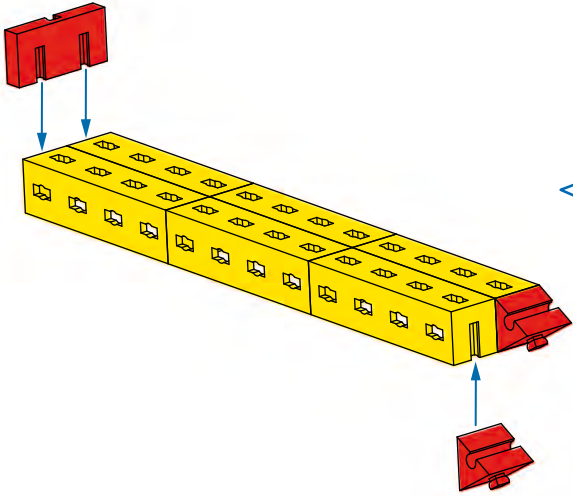
1x

1x

1x

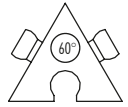
1x





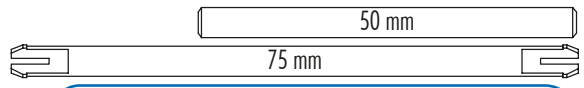
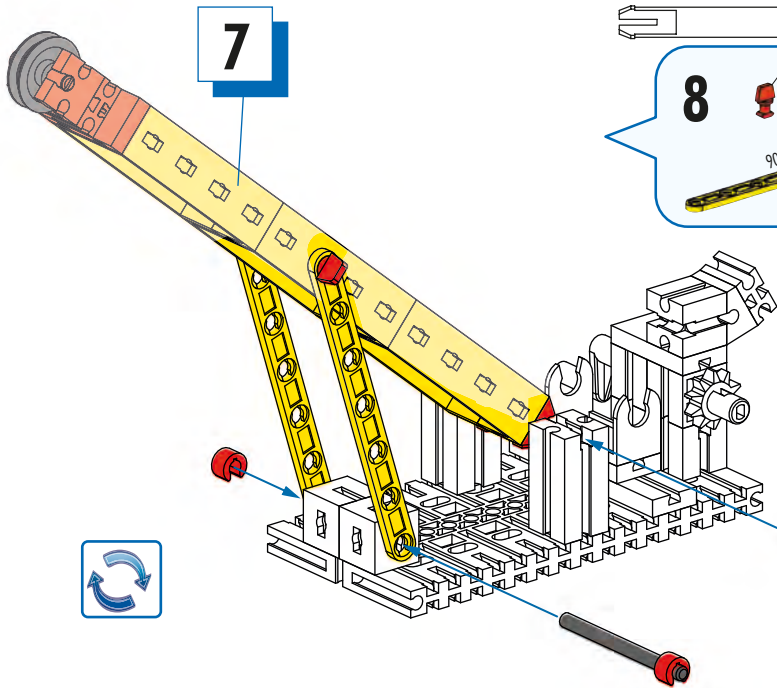
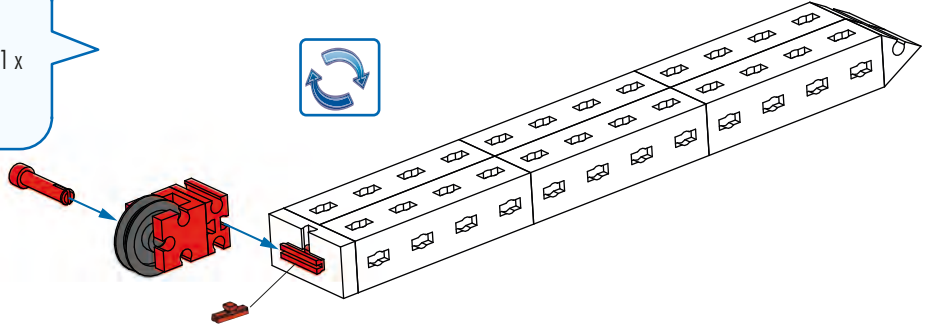
**6**

- 6 x Yellow Technic Beam 1x6
- 2 x Red Technic Brick 60°
- 1 x Red Technic Brick 1x2



**7**

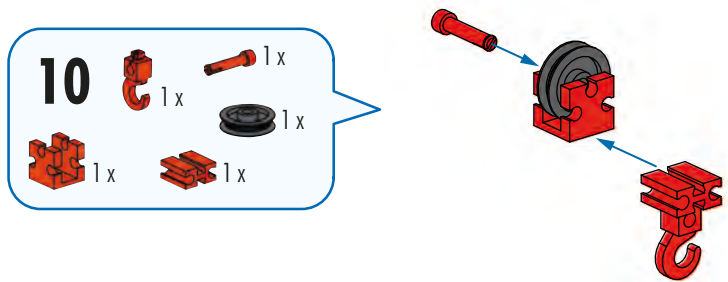
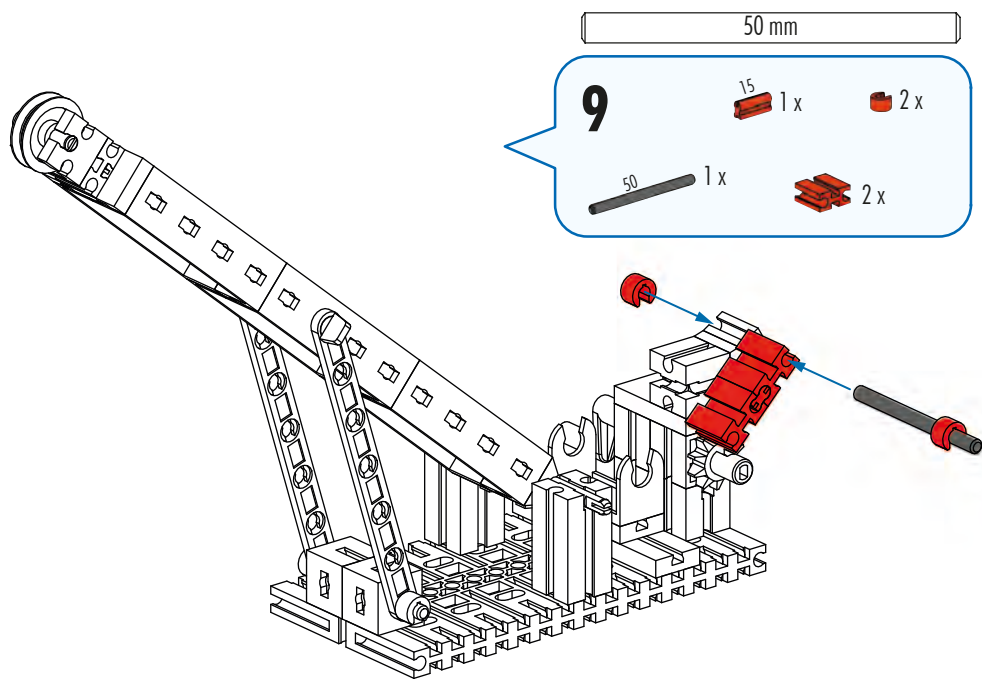
- 1 x Red Technic Pin
- 1 x Red Technic Pin with Friction Ridge
- 1 x Red Technic Brick 1x2
- 1 x Red Technic Brick 1x2
- 1 x Black Technic Wheel





**8**

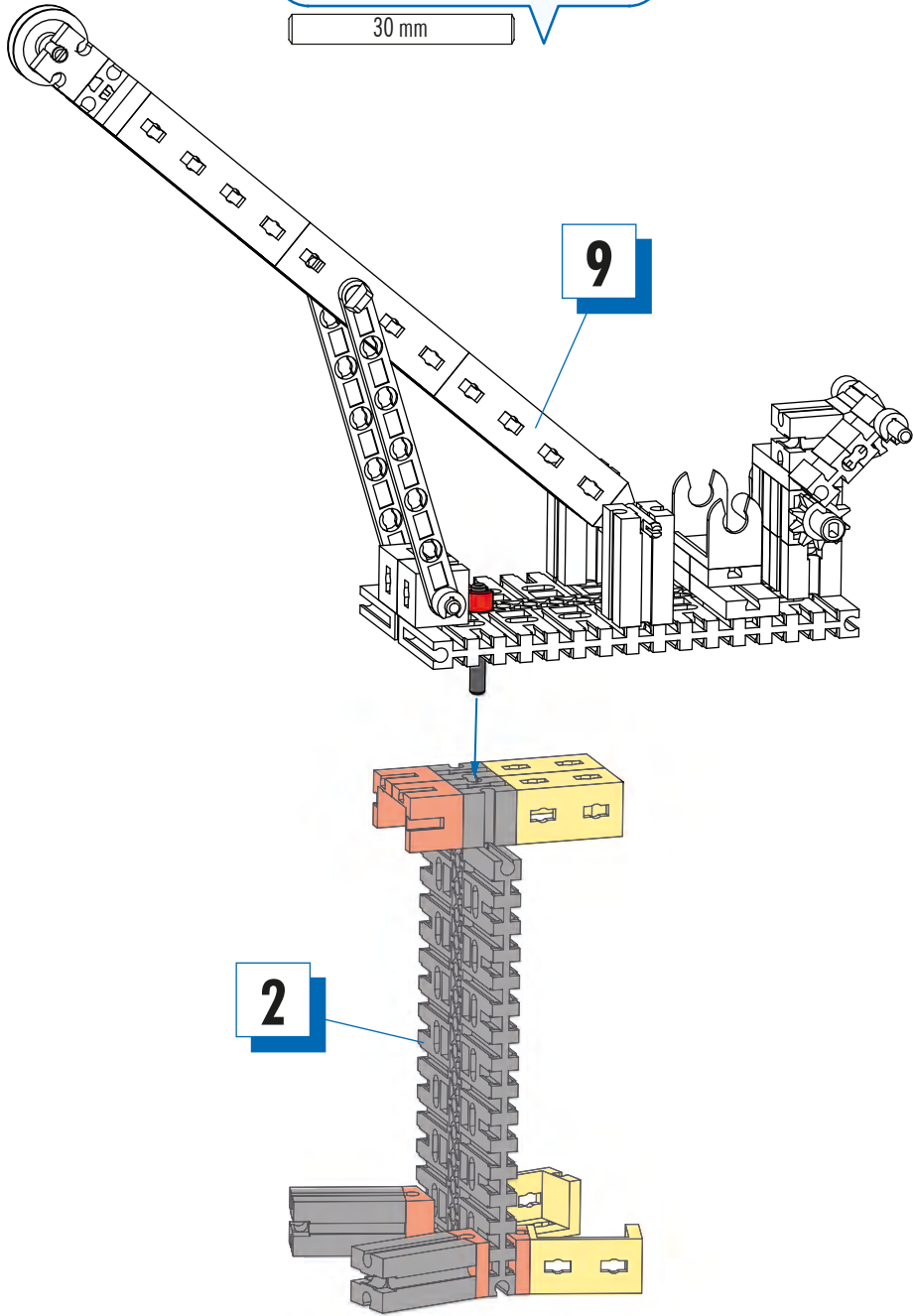
- 2 x Red Technic Pin
- 1 x Black Technic Pin 50
- 2 x Yellow Technic Beam 90
- 2 x Red Technic Pin
- 1 x Black Technic Pin 75










**11** 30 1x  1x  1x

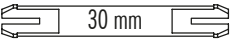
30 mm

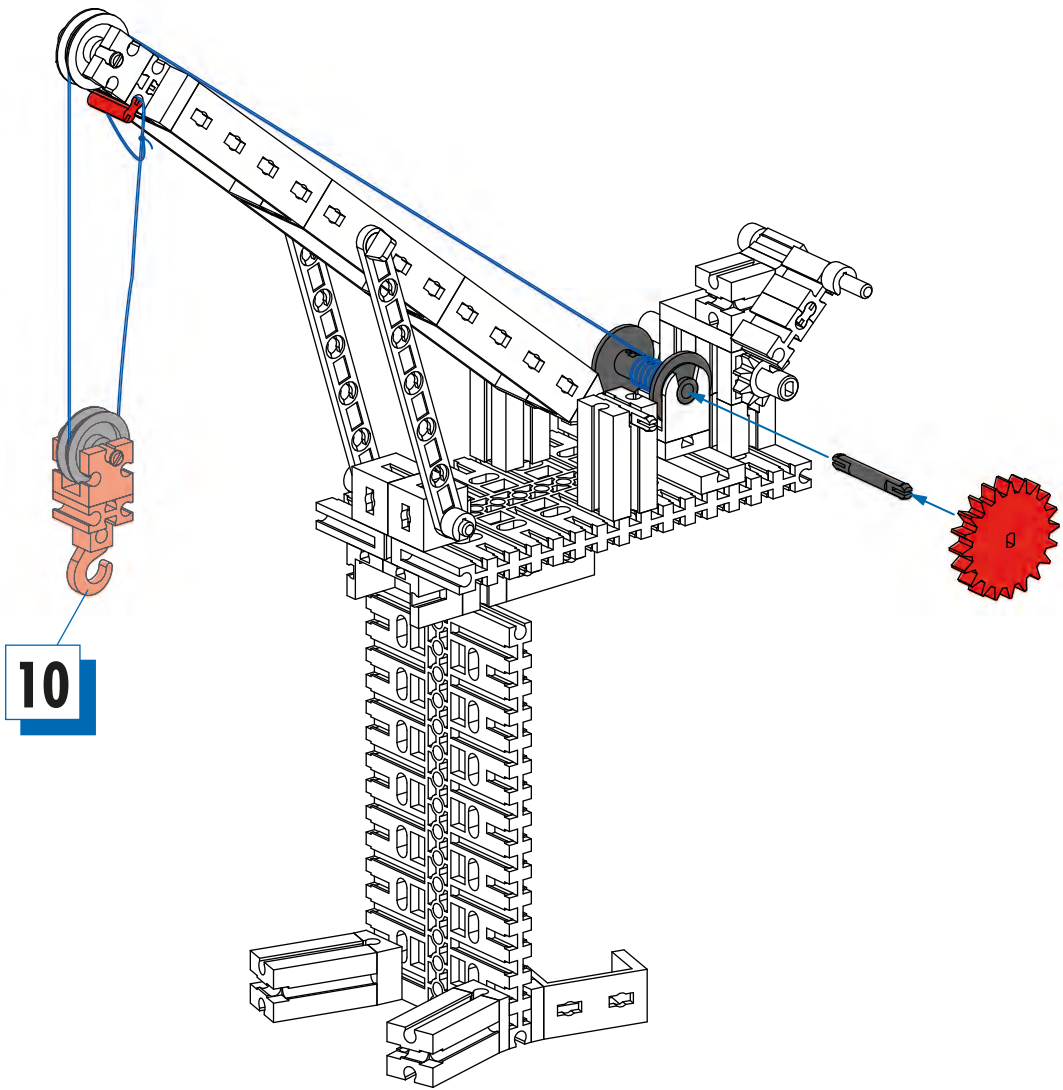


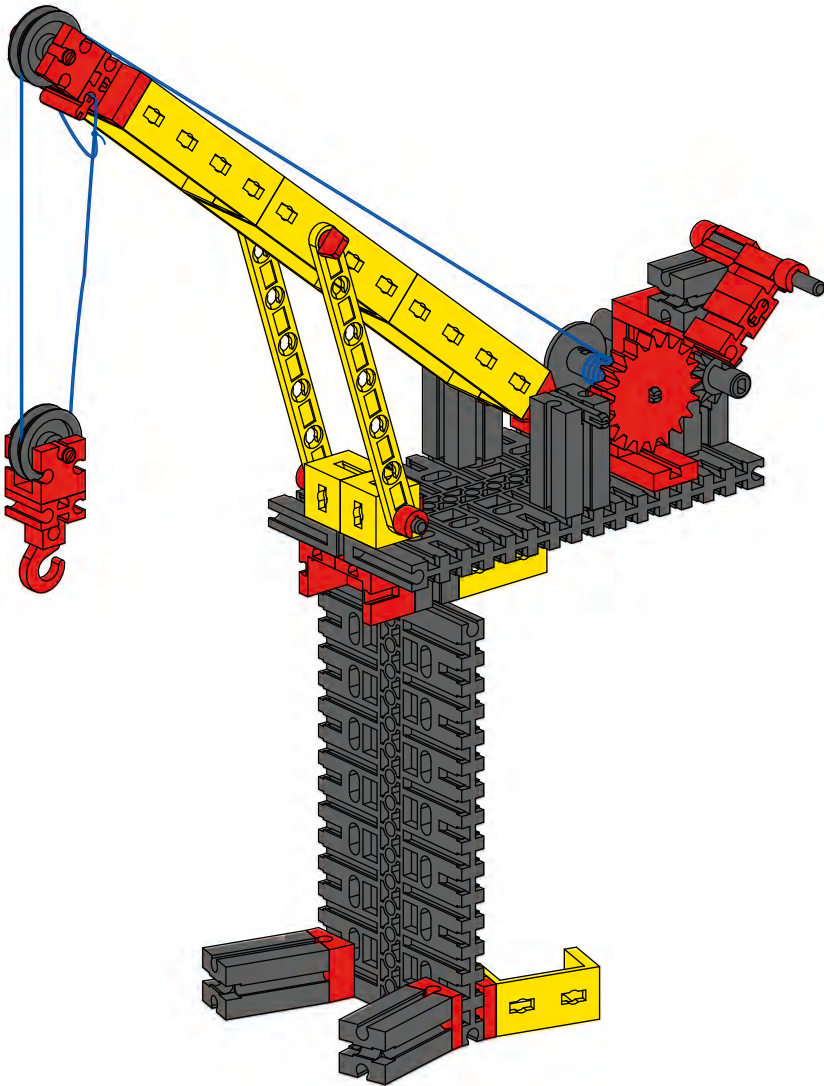
**12**

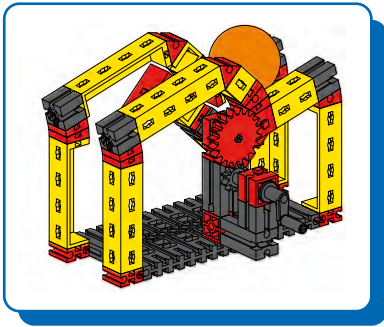
 1x
  1x

 1x
  15 1x
  30 1x

 30 mm



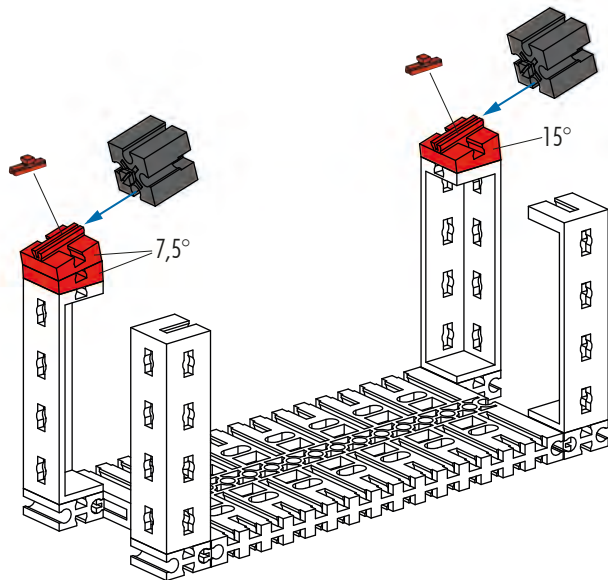
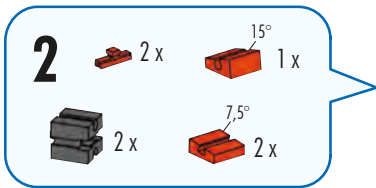
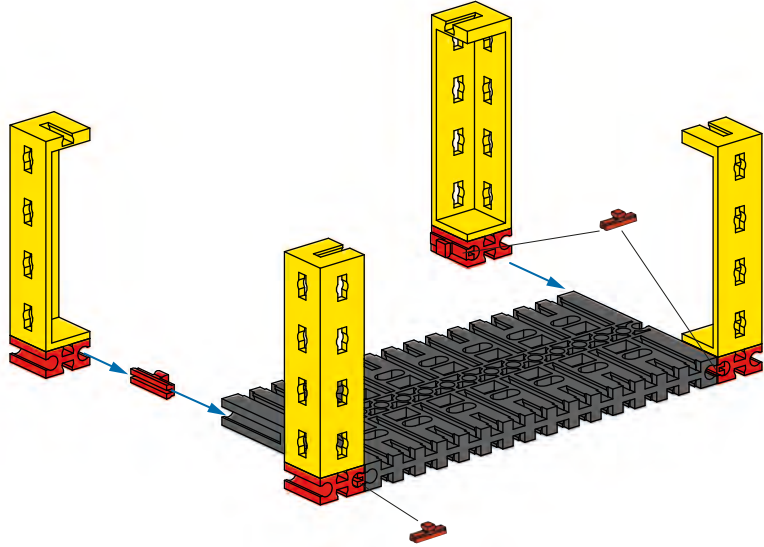
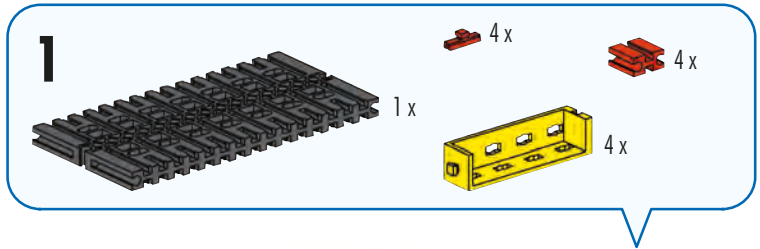




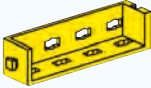






Ballweitergabe 1  
Ball forwarding 1  
Transmission du ballon 1

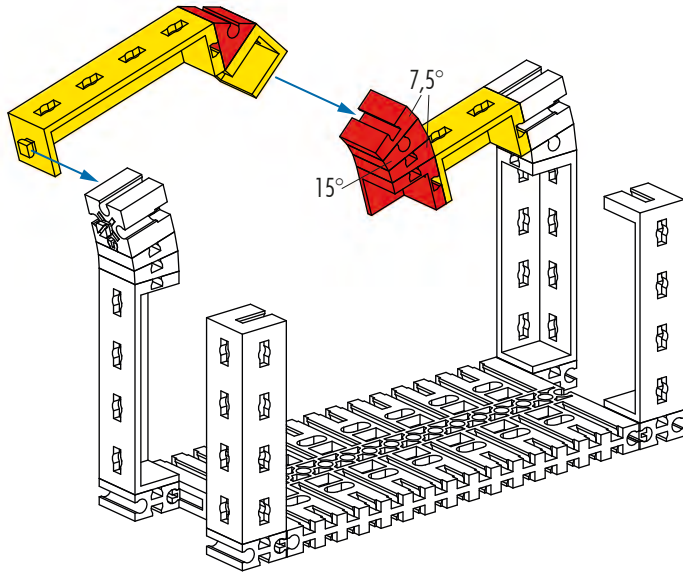
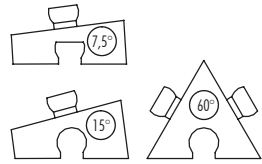
Ballen doorgeven 1  
Pase de balón 1  
Passe de bola 1

Passaggio della palla 1  
Передача мяча 1  
传球 1



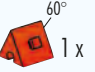
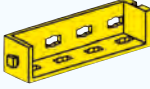




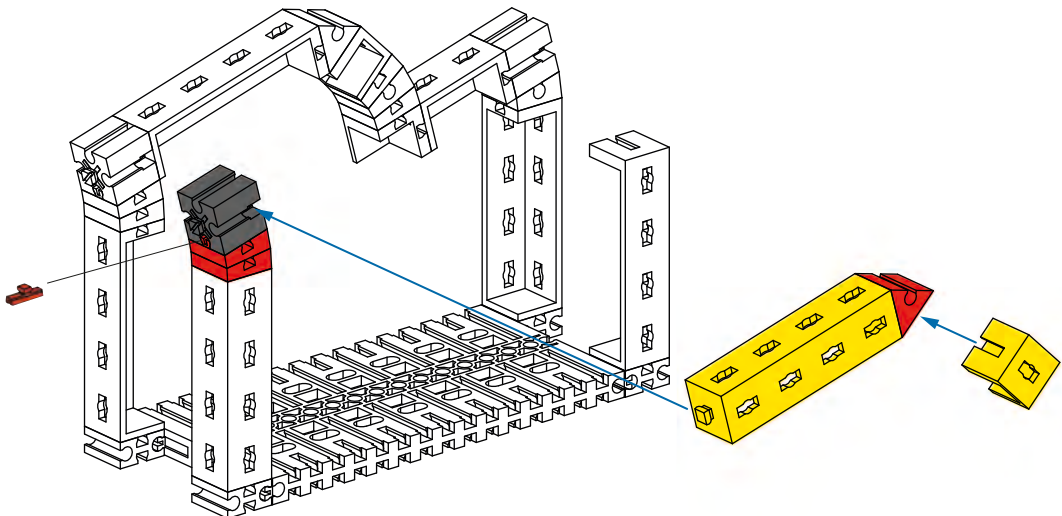
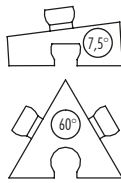
**3**

 1x  
 1x  
 1x  
 1x  
 2x  
 1x  
 1x



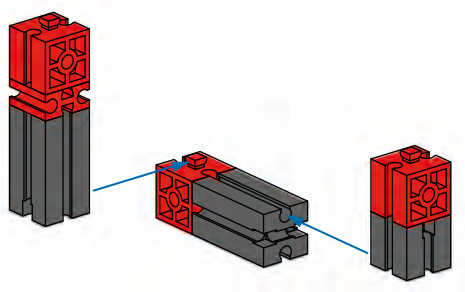
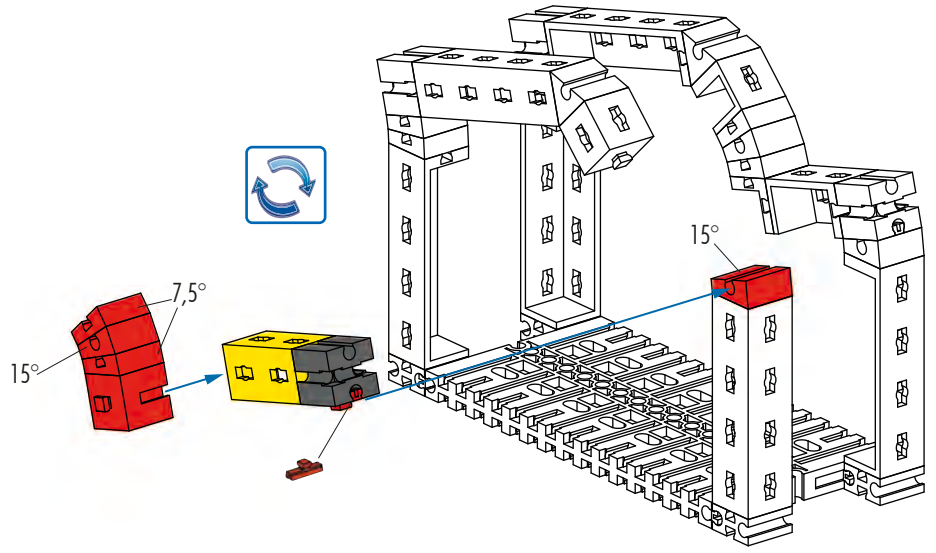
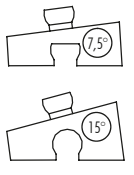
**4**

 1x  
 1x  
 1x  
 1x  
 2x  
 1x



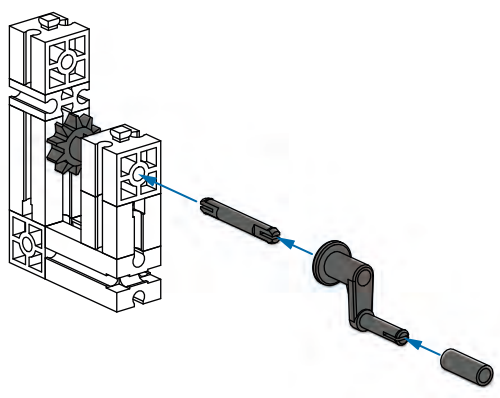


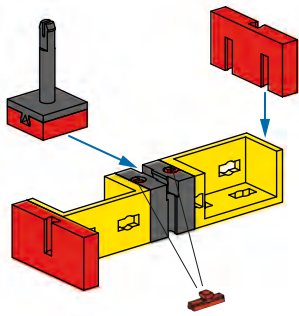
- 5**
- 1x (dark grey) 1x
  - 1x (red) 1x
  - 2x (red) 15°
  - 1x (yellow) 1x
  - 1x (red) 1x
  - 2x (red) 7,5°



- 6**
- 1x (dark grey) 1x
  - 1x (red) 1x
  - 2x (dark grey) 2x
  - 3x (red) 3x

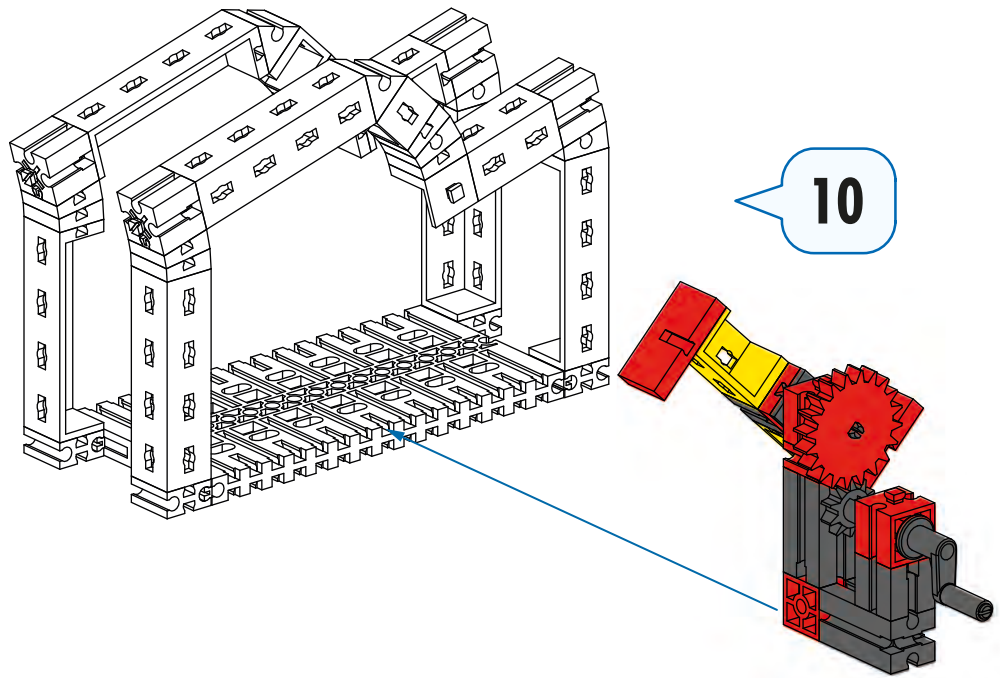
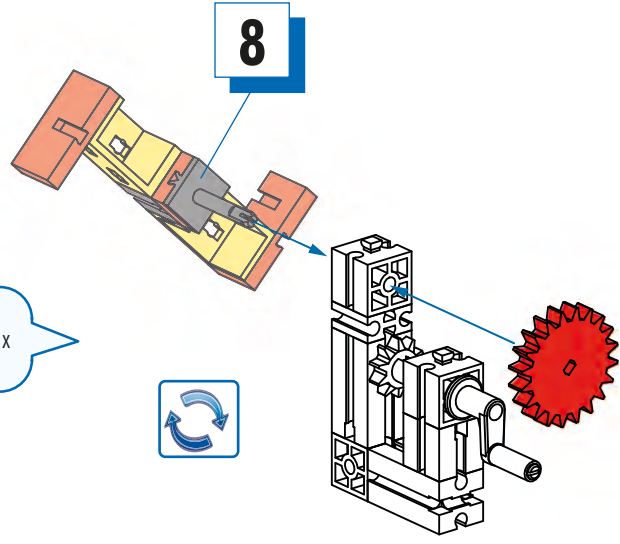
- 7**
- 1x (dark grey) 1x
  - 1x (black) 1x
  - 1x (dark grey) 30
  - 1x (black) 1x
- 30 mm

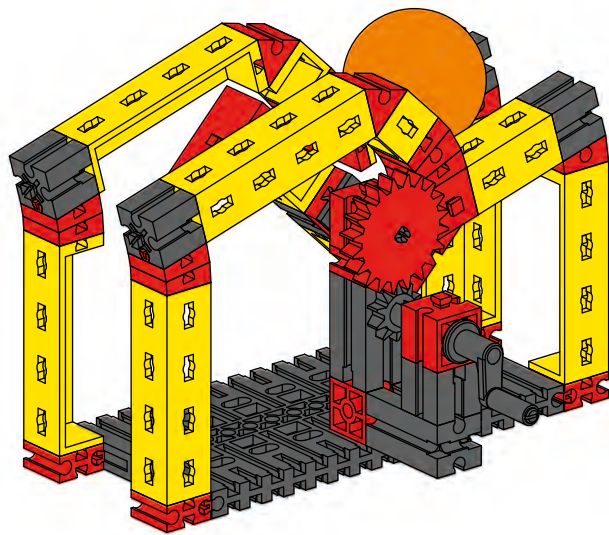


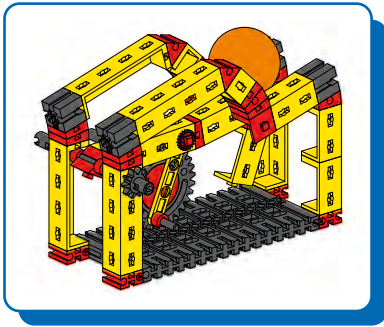


- 8**
- Red 1x3 Technic brick 2x
  - Red 1x2 Technic brick 1x
  - Red 1x1 Technic brick 2x
  - Grey axle 1x
  - Yellow 1x3 Technic brick 2x
  - Black bush 1x

- 9**
- Red 24-tooth gear 1x







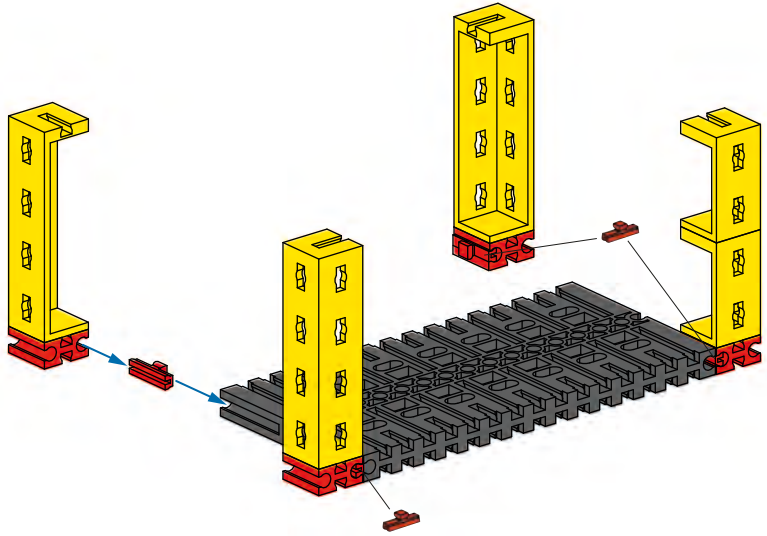
Ballweitergabe 2  
 Ball forwarding 2  
 Transmission du ballon 2

Ballen doorgeven 2  
 Pase de balón 2  
 Passe de bola 2

Passaggio della palla 2  
 Передача мяча 2  
 传球 2

**1**

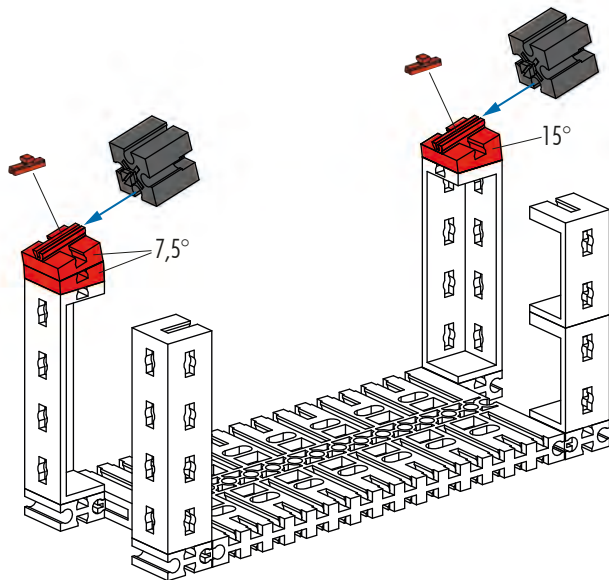
1 x  
 2 x  
 3 x  
 4 x  
 4 x



**2**

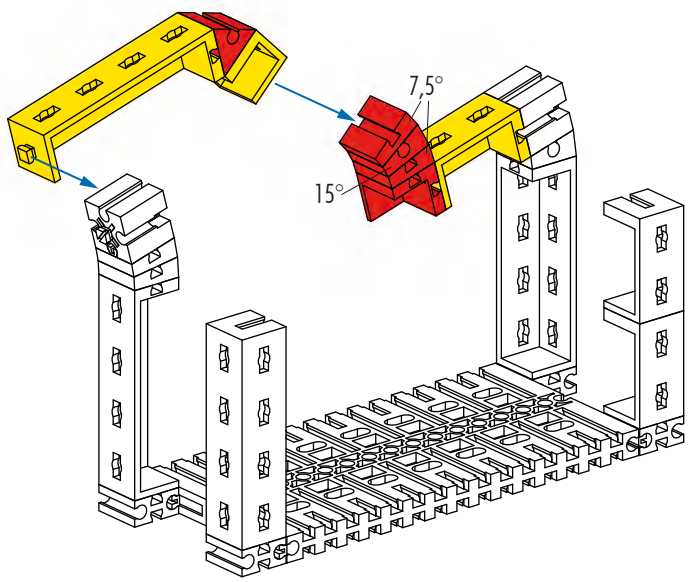
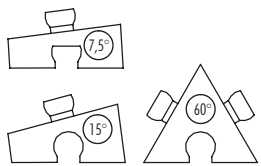
2 x  
 1 x 15°  
 2 x  
 2 x 7.5°

7.5° 15°



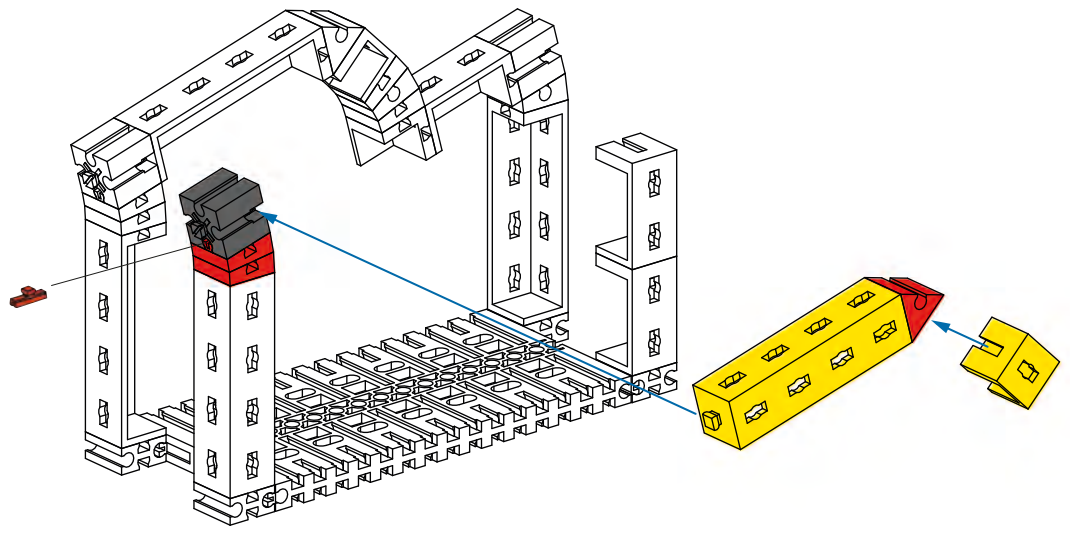
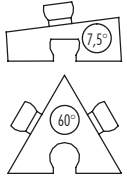
**3**

15° 1x  
 1x  
 60° 1x  
 75° 2x  
 1x  
 1x

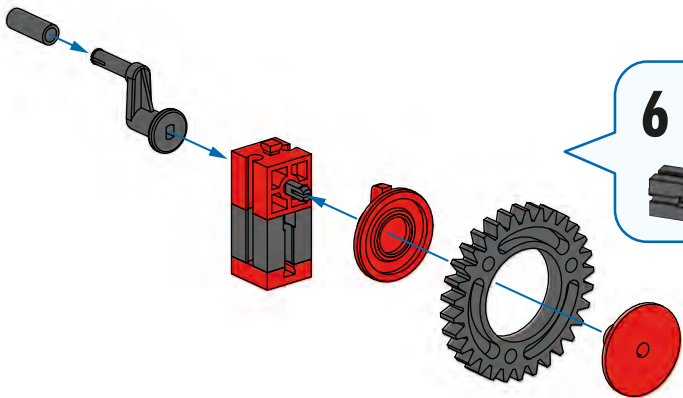
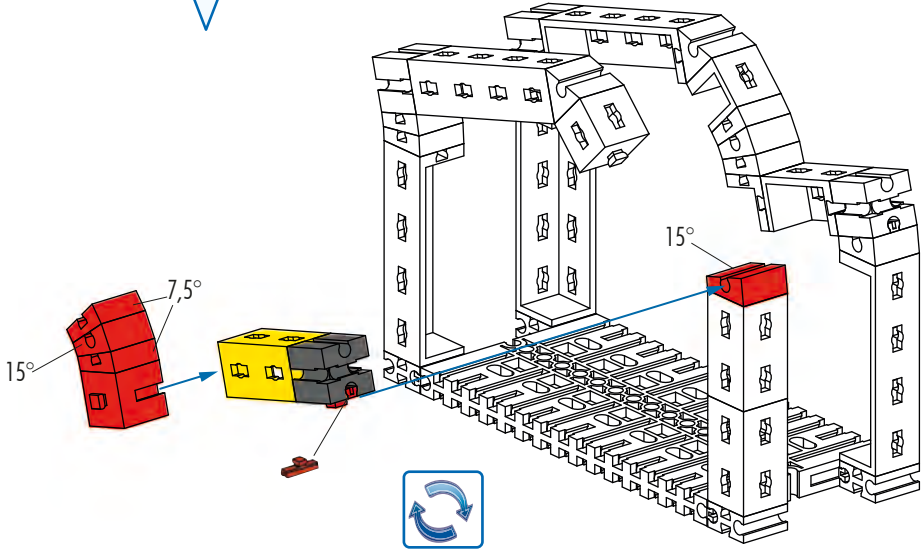
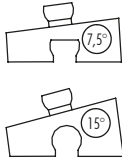


**4**

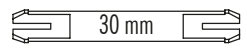
1x  
 1x  
 60° 1x  
 75° 2x  
 1x  
 1x



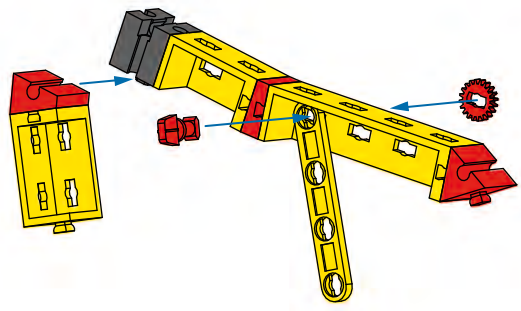
- 5**
- 1x [Black Technic Pin]
  - 1x [Red Technic Pin]
  - 2x [Red Technic Pin 15°]
  - 1x [Yellow Technic Pin 7.5°]
  - 1x [Red Technic Pin]
  - 2x [Red Technic Pin 7.5°]



- 6**
- 1x [Red Technic Pin]
  - 1x [Red Technic Pin]
  - 1x [Red Technic Pin]
  - 1x [Red Technic Pin 30]
  - 1x [Black Technic Pin]
  - 1x [Grey Technic Gear]
  - 1x [Red Technic Pin]
  - 1x [Red Technic Pin]
  - 1x [Grey Technic Pin]
  - 1x [Grey Technic Pin]



- 7**
- 1x [Yellow Technic Pin 45]
  - 1x [Red Technic Pin 7.5°]
  - 1x [Red Technic Pin 30°]
  - 1x [Red Technic Pin 60°]
  - 1x [Black Technic Pin]
  - 1x [Yellow Technic Pin]
  - 2x [Yellow Technic Pin]
  - 1x [Red Technic Pin]
  - 1x [Red Technic Pin]
  - 1x [Red Technic Pin]

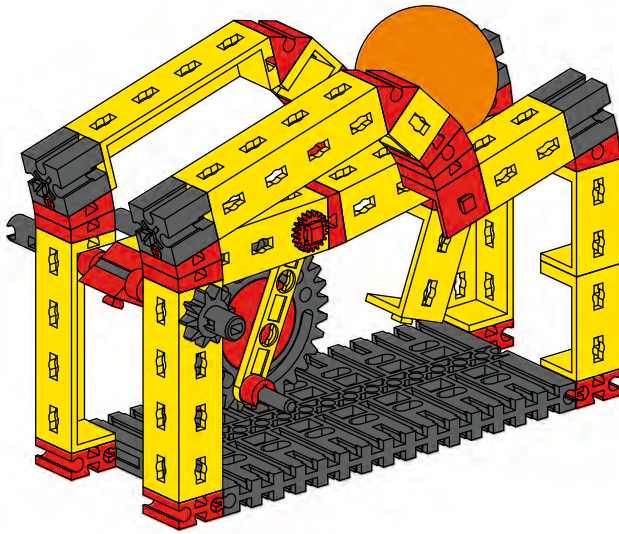
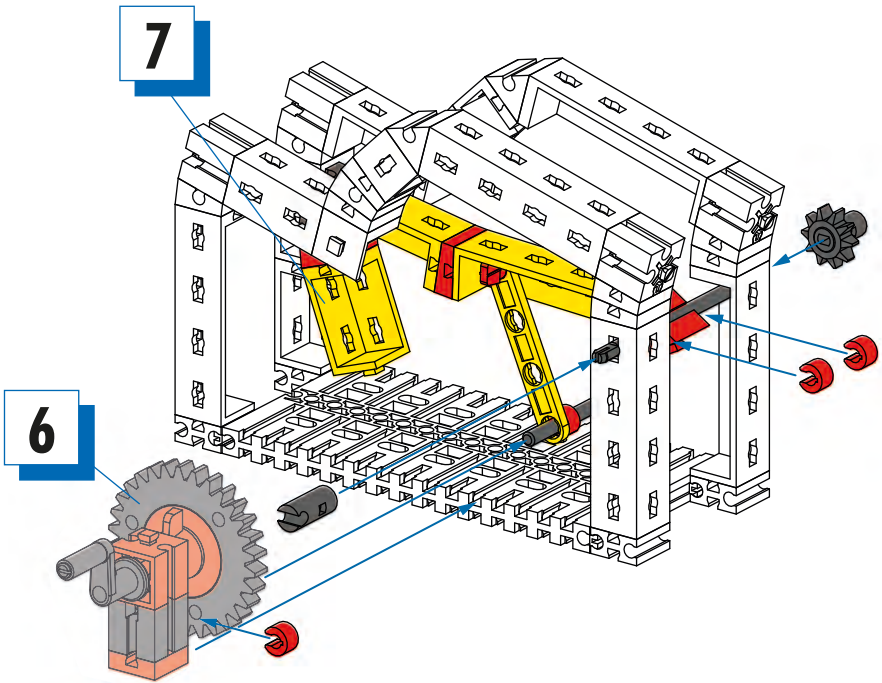


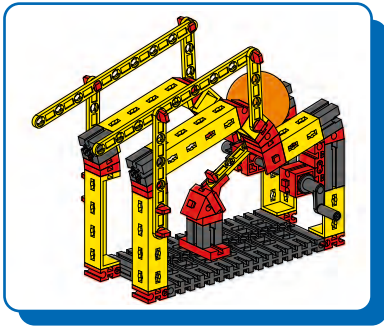
**8**

- 30 1x
- 1x
- 75 1x
- 1x
- 4x
- 1x

30 mm

75 mm





**Ballweitergabe 3**  
**Ball forwarding 3**  
**Transmission du ballon 3**

**Ballen doorgeven 3**  
**Pase de balón 3**  
**Passe de bola 3**

**Passaggio della palla 3**  
**Передача мяча 3**  
**传球 3**

**1**

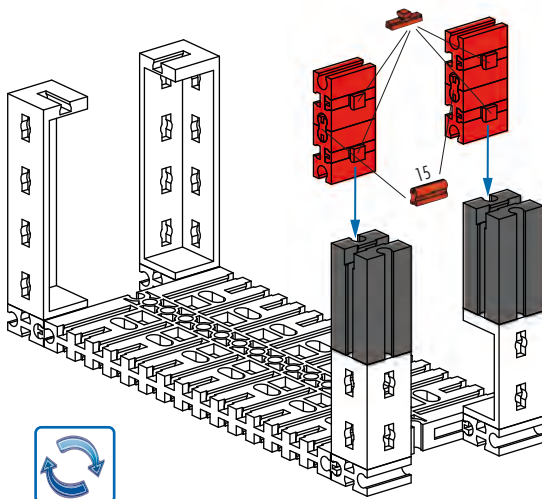
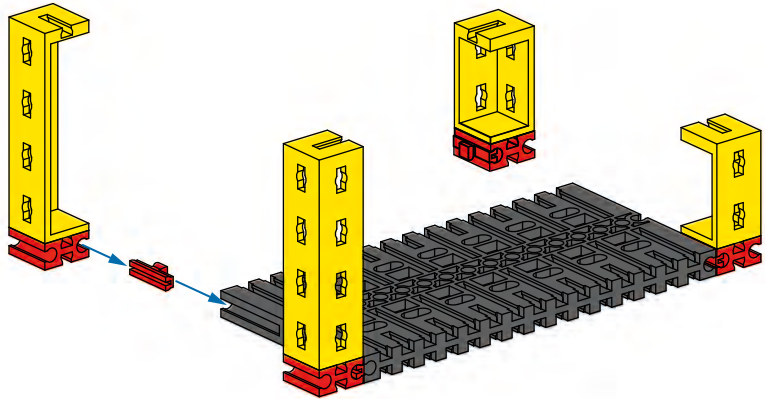
1 x

2 x

4 x

2 x

4 x



**2**

4 x

15 2 x

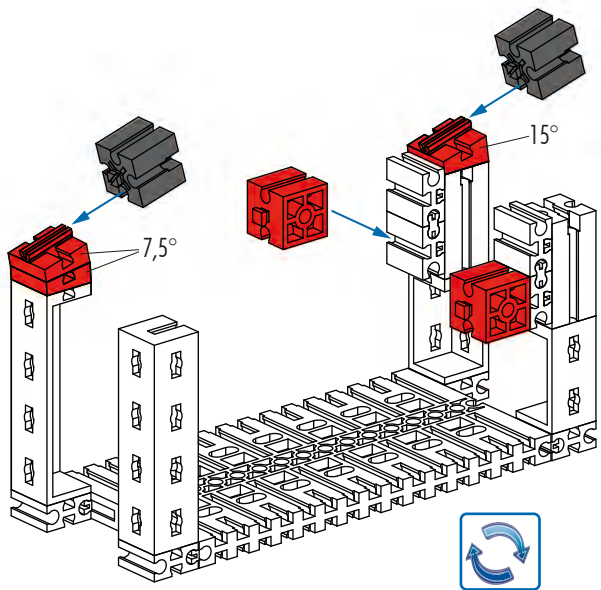
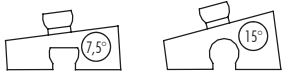
2 x

4 x

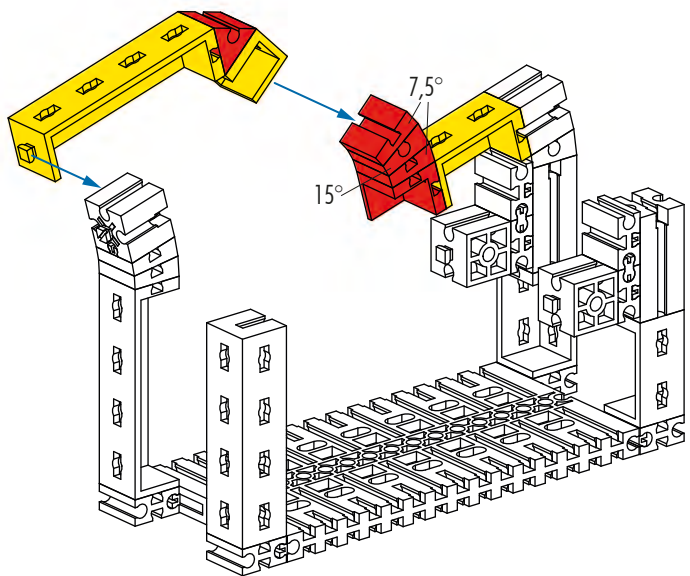
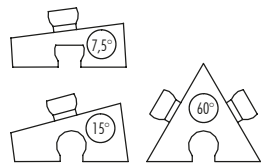




- 3**
- 2 x [Red 1x2 Technic Brick]
  - 1 x [Red 1x2 Technic Brick with 15° Slope]
  - 2 x [Red 1x2 Technic Brick with 7.5° Slope]
  - 2 x [Grey Technic Axle Connector]

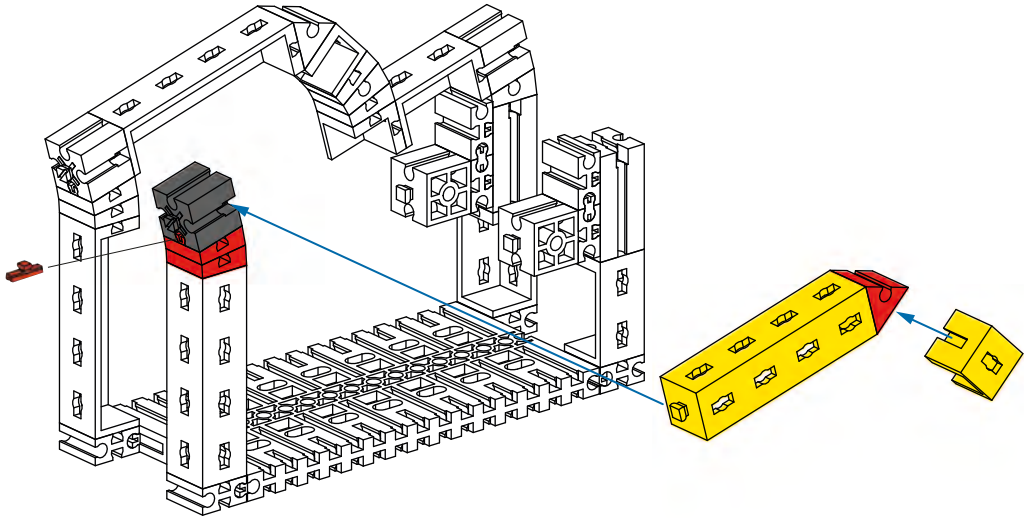
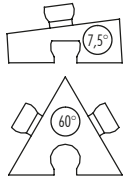


- 4**
- 1 x [Yellow Technic Beam 1x10]
  - 1 x [Red 1x2 Technic Brick with 15° Slope]
  - 1 x [Red Technic L-Bracket]
  - 1 x [Red Technic Triangle with 60° Slope]
  - 2 x [Red 1x2 Technic Brick with 7.5° Slope]
  - 1 x [Yellow Technic Beam 1x3]
  - 1 x [Yellow Technic Beam 1x2]



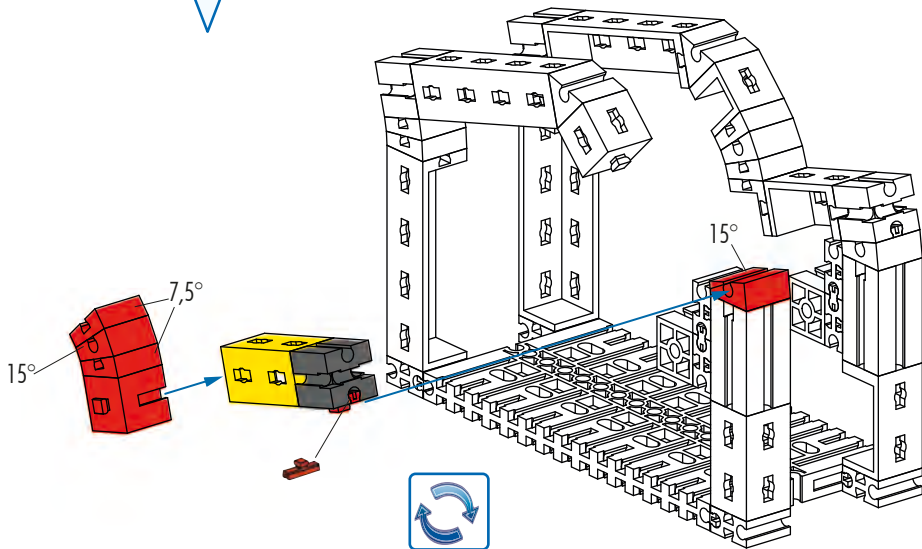
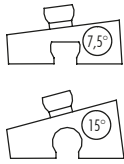
**5**

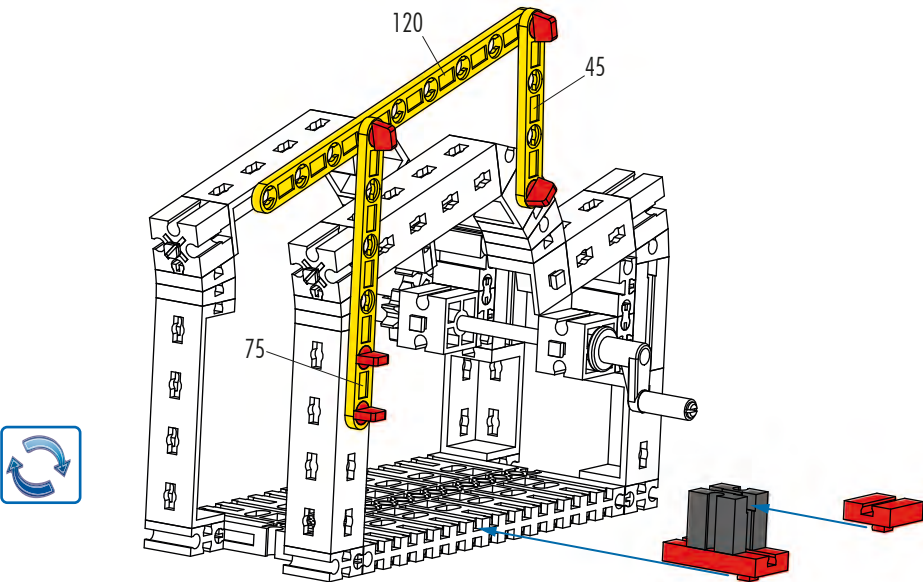
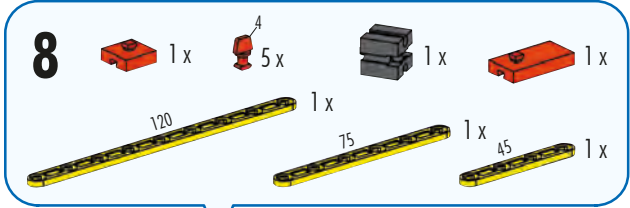
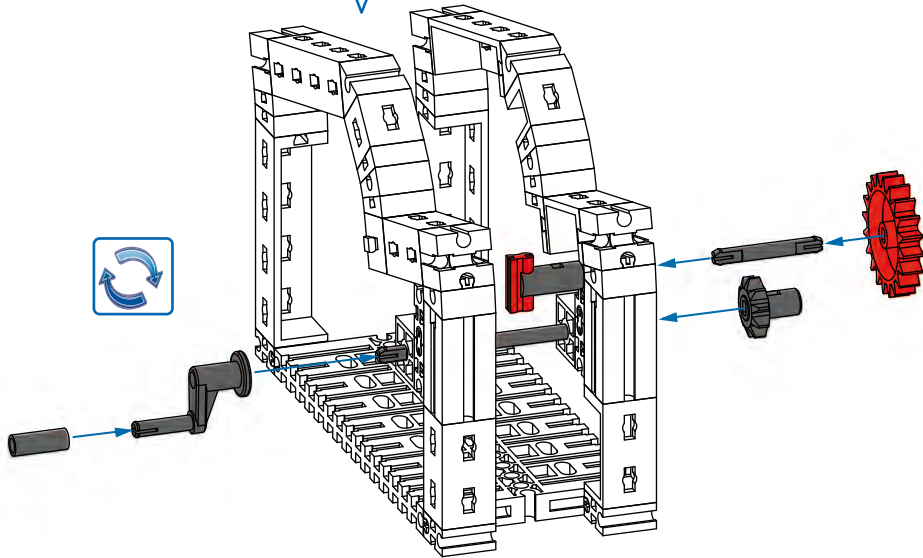
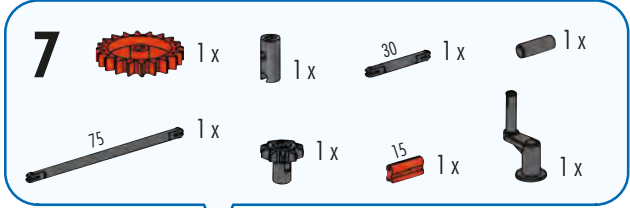
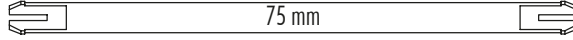
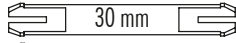
- 1x Red Technic Pin
- 1x Grey Technic Pin
- 1x Red Technic Pin with 60° Wedge
- 1x Yellow Technic Beam (1x5)
- 2x Red Technic Pin with 75° Wedge
- 1x Yellow Technic Pin



**6**

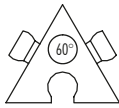
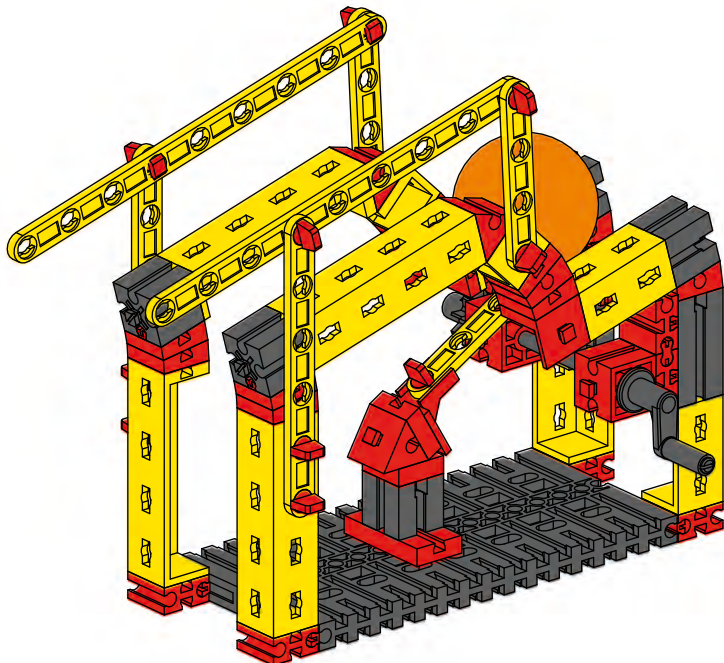
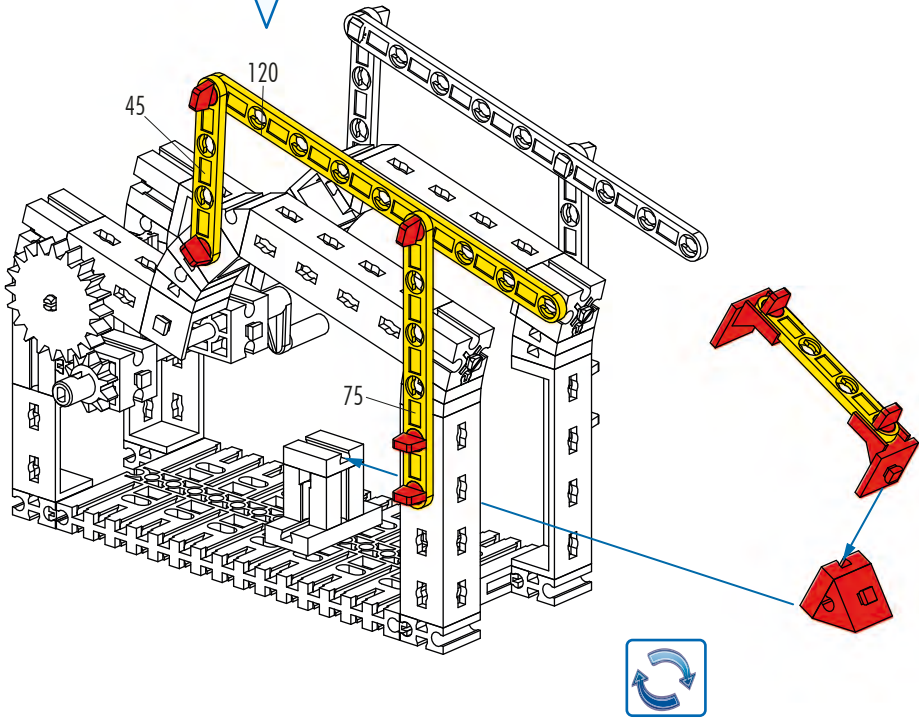
- 1x Grey Technic Pin
- 1x Red Technic Pin
- 2x Red Technic Pin with 15° Wedge
- 1x Yellow Technic Pin
- 1x Red Technic Pin with 7.5° Wedge
- 2x Red Technic Pin with 7.5° Wedge

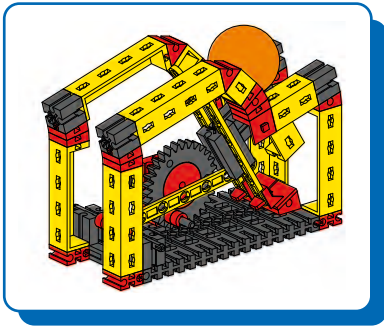




**9**

- 1 x Red 1x2 Technic Brick
- 7 x Red Pin with Friction Ridge (A)
- 2 x Red 90° Technic Connector
- 1 x Red 60° Technic Connector
- 1 x Yellow Technic Beam 120
- 1 x Yellow Technic Beam 75
- 2 x Yellow Technic Beam 45



Ballweitergabe 4  
 Ball forwarding 4  
 Transmission du ballon 4

Ballen doorgeven 4  
 Pase de balón 4  
 Passe de bola 4

Passaggio della palla 4  
 Передача мяча 4  
 传球 4

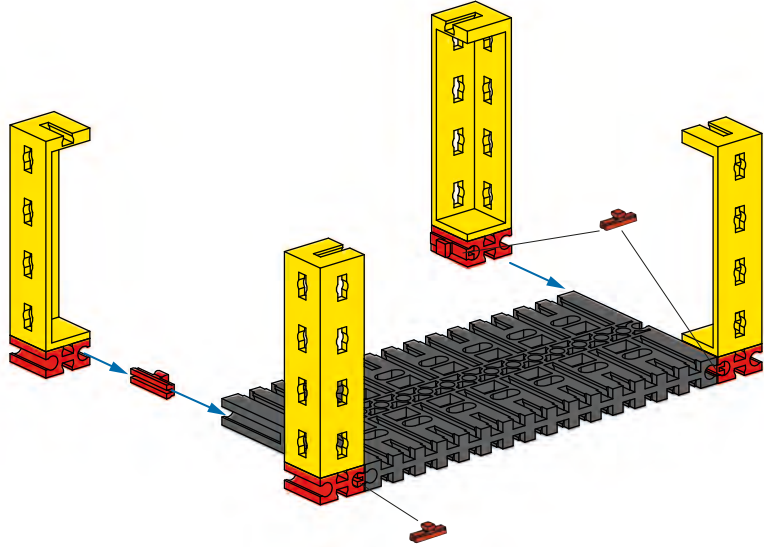
**1**

1 x

4 x

4 x

4 x



**2**

2 x

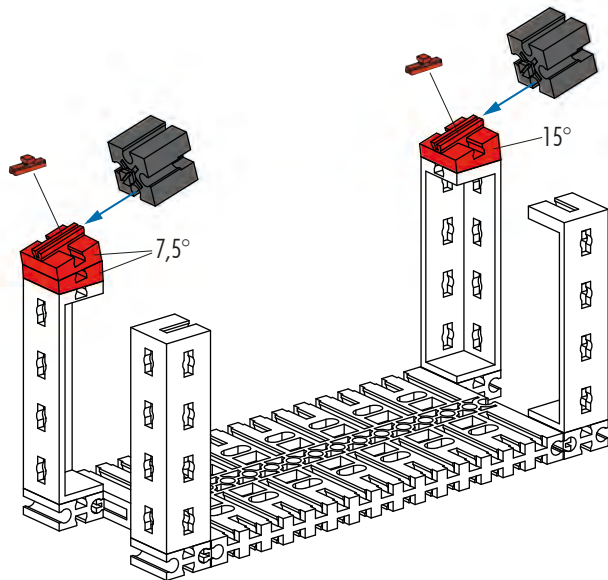
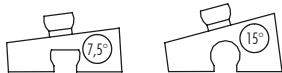
1 x

15°

2 x

2 x

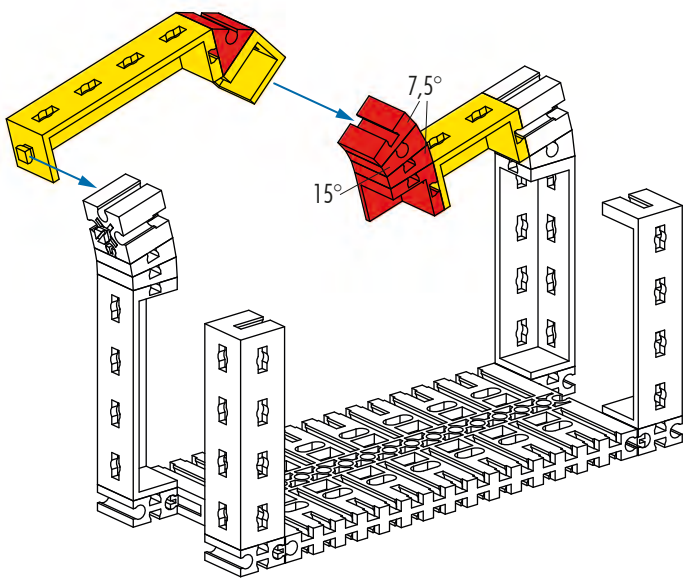
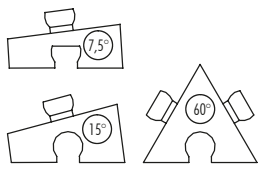
7.5°



**3**

15° 1x    1x    60° 1x

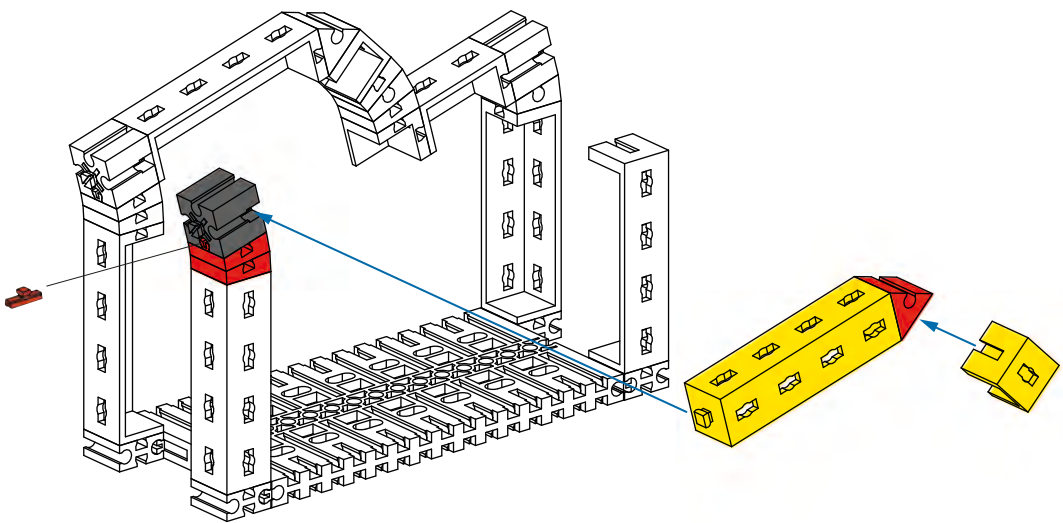
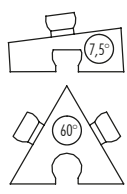
1x    75° 2x    1x    1x



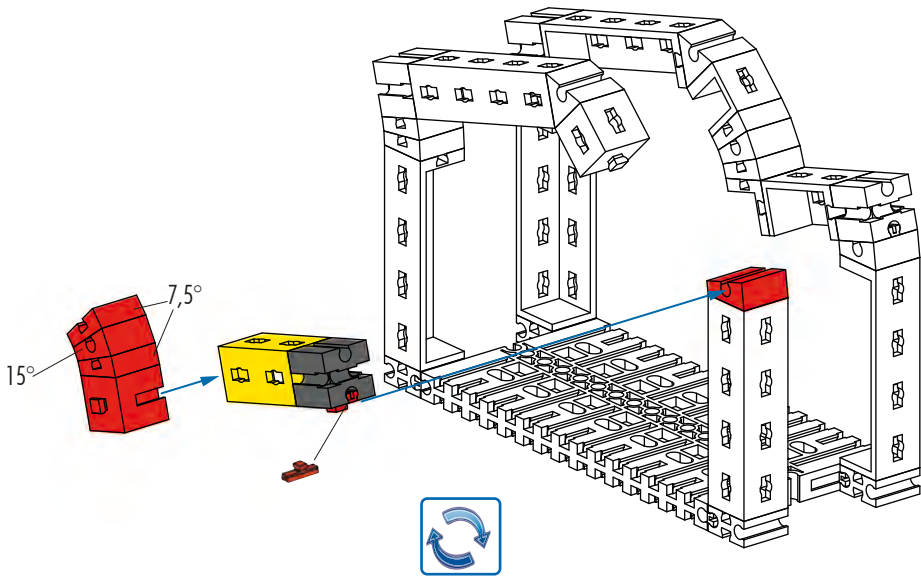
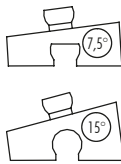
**4**

1x    1x    60° 1x

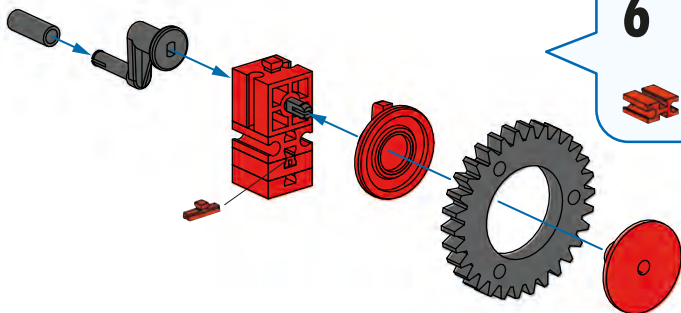
1x    75° 2x    1x

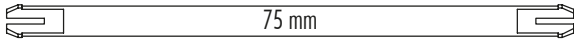


- 5**
- 1 x [grey 1x3 Technic brick with holes]
  - 1 x [red 1x1 Technic brick]
  - 2 x [red 1x3 Technic brick with 15° slope]
  - 1 x [yellow 1x3 Technic brick with holes]
  - 1 x [red 1x1 Technic brick with hole]
  - 2 x [red 1x2 Technic brick with 7.5° slope]



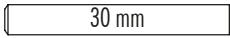
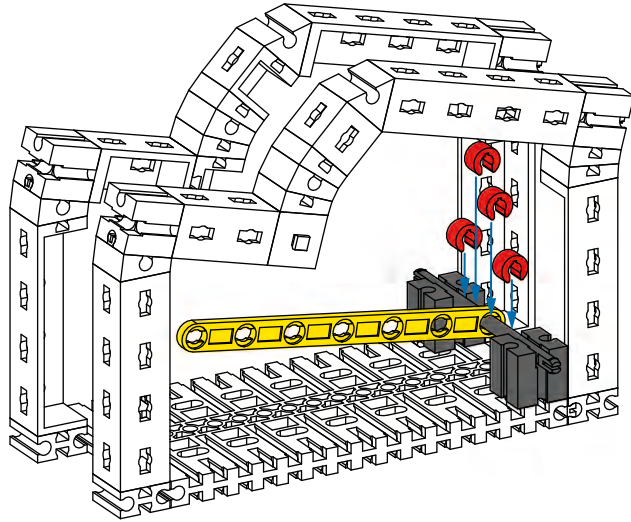
- 6**
- 1 x [red 1x1 Technic bush]
  - 1 x [red 1x1 Technic bush]
  - 2 x [red 1x1 Technic bush]
  - 1 x [grey axle]
  - 1 x [red 1x1 Technic bush]
  - 1 x [grey gear]
  - 1 x [red 1x1 Technic bush]
  - 1 x [black L-shaped Technic connector]
  - 1 x [grey axle with length 30 mm]
  - 1 x [red 1x1 Technic bush]
- 30 mm





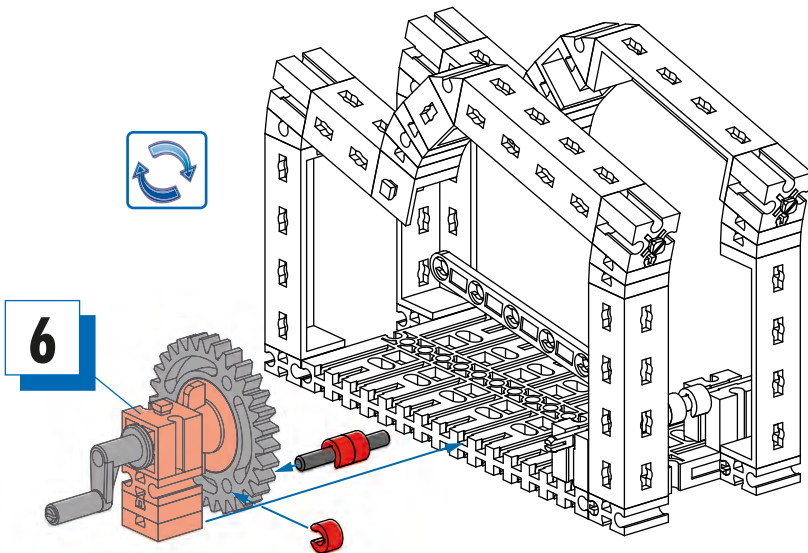
**7**

- 4 x (red pins)
- 2 x (grey Technic axles)
- 1 x (yellow Technic axle, length 90)
- 1 x (grey Technic axle, length 75)



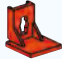



**8**

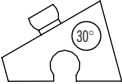
- 3 x (red pins)
- 1 x (grey Technic axle, length 30)

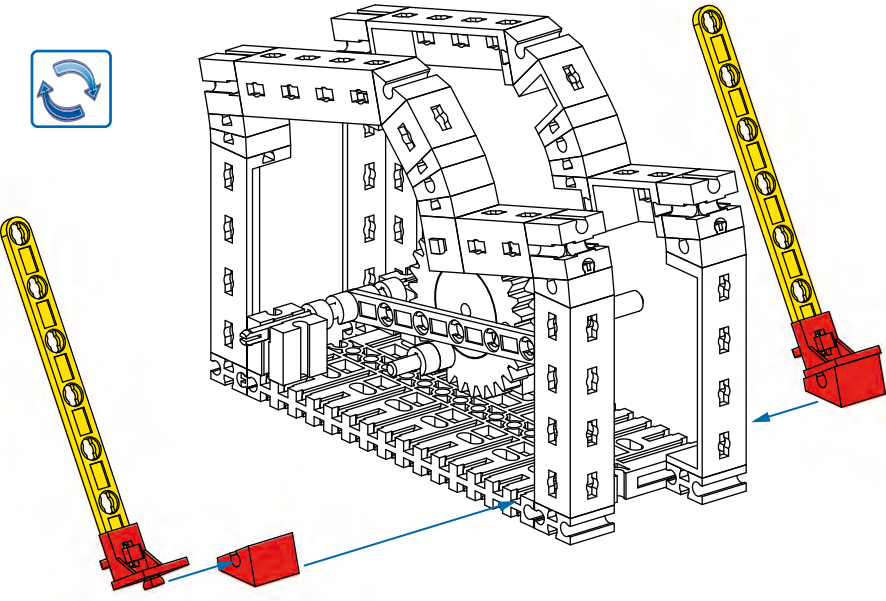






**9**

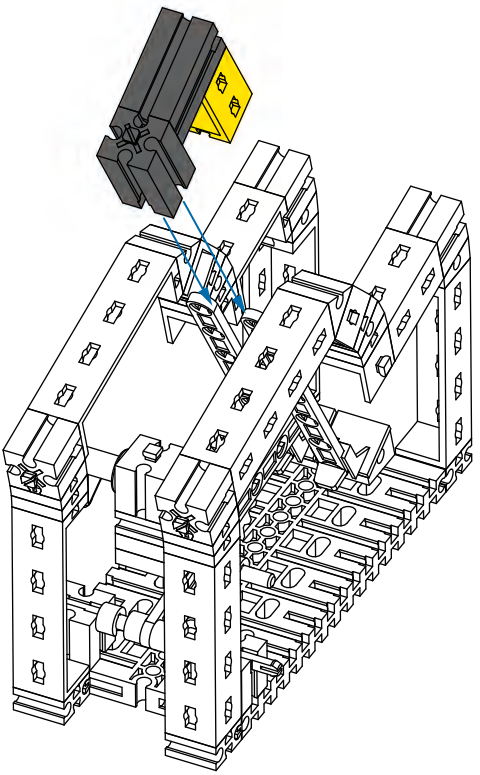
-  2 x
-  2 x
-  2 x
-  2 x

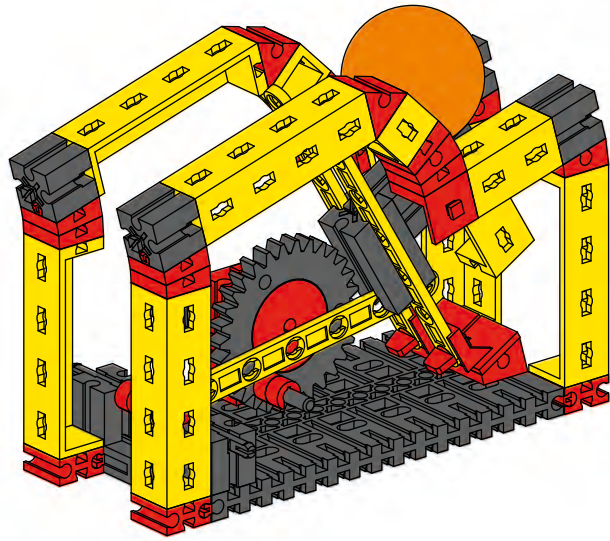




**10**

-  1 x
-  2 x







# Class Set Simple Machines

fischertechnik GmbH  
Klaus-Fischer-Str. 1  
72178 Waldachtal  
Germany  
Phone: +49 74 43/12-43 69  
Fax: +49 74 43/12-45 91  
info@fischertechnik.de  
www.fischertechnik.de



190833 · 06/22 · Co · Printed in Germany · Technische Änderungen vorbehalten · Subject to technical modifications

**S T E M** M A T H E M A T I K  
I N F O R M A T I K  
N A T U R W I S S E N S C H A F T  
T E C H N I K

 SCIENCE  TECHNOLOGY  ENGINEERING  MATHEMATICS

# 10 Models